



US00D538720S

(12) **United States Design Patent**
Yeung

(10) **Patent No.:** **US D538,720 S**

(45) **Date of Patent:** **** Mar. 20, 2007**

(54) **AUTOMOTIVE STEERING COLUMN COVER**

(76) Inventor: **Winston Yeung**, 1726 Ross Road,
North Vancouver, British Columbia
(CA), V7J 1V7

(**) Term: **14 Years**

(21) Appl. No.: **29/248,127**

(22) Filed: **Jul. 28, 2006**

(51) **LOC (8) Cl.** **12-16**

(52) **U.S. Cl.** **D12/192**

(58) **Field of Classification Search** D12/192,
D12/345, 317, 175-177; 180/90; 280/750-752;
296/190.01-190.09, 70; D15/17, 28; D10/46,
D10/98, 106, 102-103; 362/482, 489; 73/431,
73/866.3

See application file for complete search history.

(56) **References Cited**

U.S. PATENT DOCUMENTS

D288,430 S	*	2/1987	Cornwell	D12/192
D478,297 S	*	8/2003	Cadotte et al.	D12/192
D478,832 S	*	8/2003	Dipple	D10/106
D480,341 S	*	10/2003	Day	D12/192
D489,661 S	*	5/2004	McPeck et al.	D12/192

D491,825 S	*	6/2004	Day et al.	D10/103
D492,213 S	*	6/2004	Day et al.	D10/103
D512,357 S	*	12/2005	Schuttera	D12/192
D514,994 S	*	2/2006	Day	D12/192

* cited by examiner

Primary Examiner—Stacia Cadmus

(74) *Attorney, Agent, or Firm*—C. Larry Kyle; Nexus Law Group LLP

(57) **CLAIM**

The ornamental design for an automotive steering column cover, as shown and described.

DESCRIPTION

FIG. 1 is a front, top right perspective view of my automotive steering column cover;
FIG. 2 is a front view thereof;
FIG. 3 is a rear view thereof;
FIG. 4 is a top view thereof;
FIG. 5 is a bottom view thereof;
FIG. 6 is a right side view thereof;
FIG. 7 is a left side view thereof;
FIG. 8 is a perspective view thereof from the top rear; and,
FIG. 9 is a perspective view thereof from the bottom rear.
The broken lines showing in FIGS. 1-9 are for illustrative purposes only and form no part of the claimed design.

1 Claim, 3 Drawing Sheets

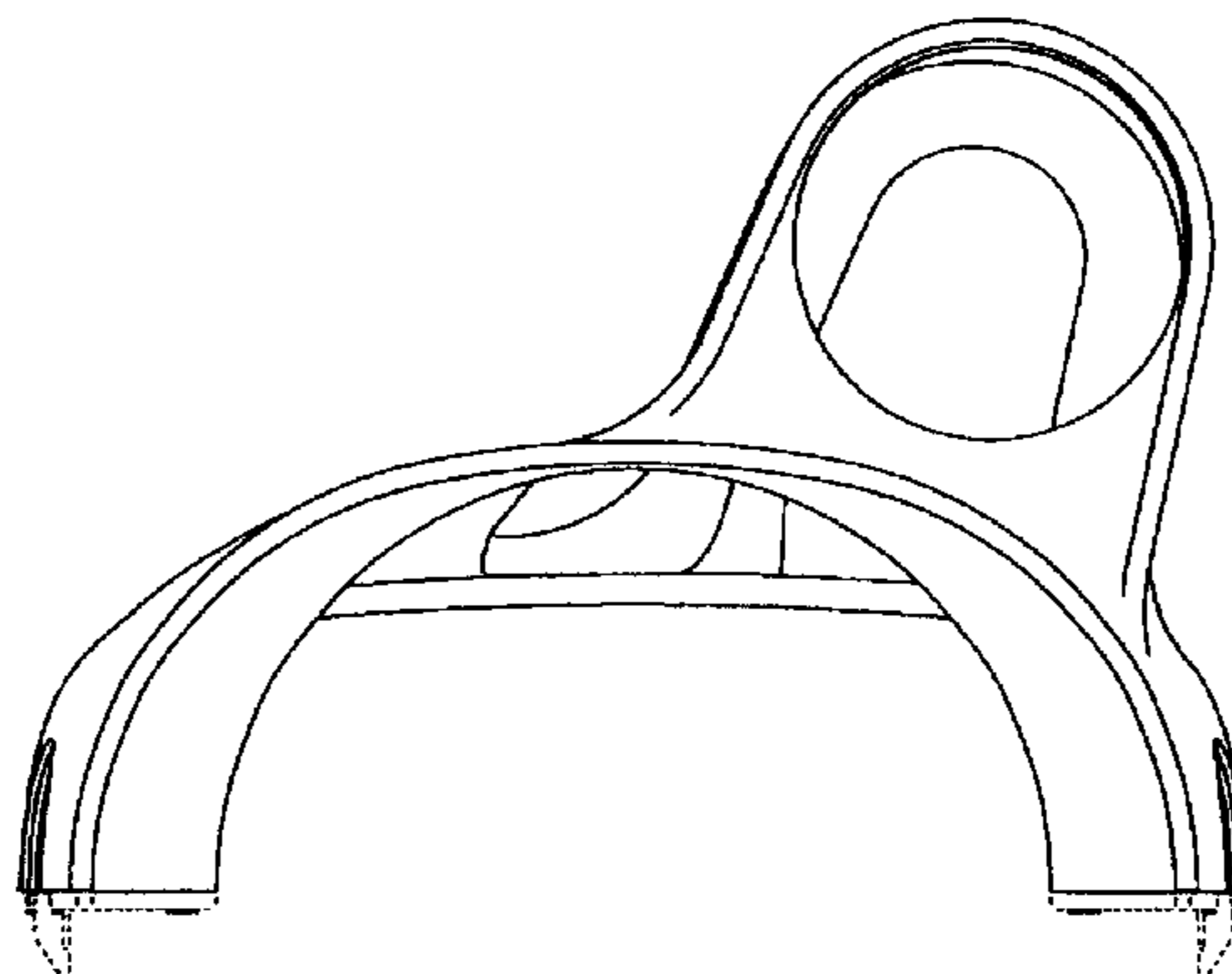
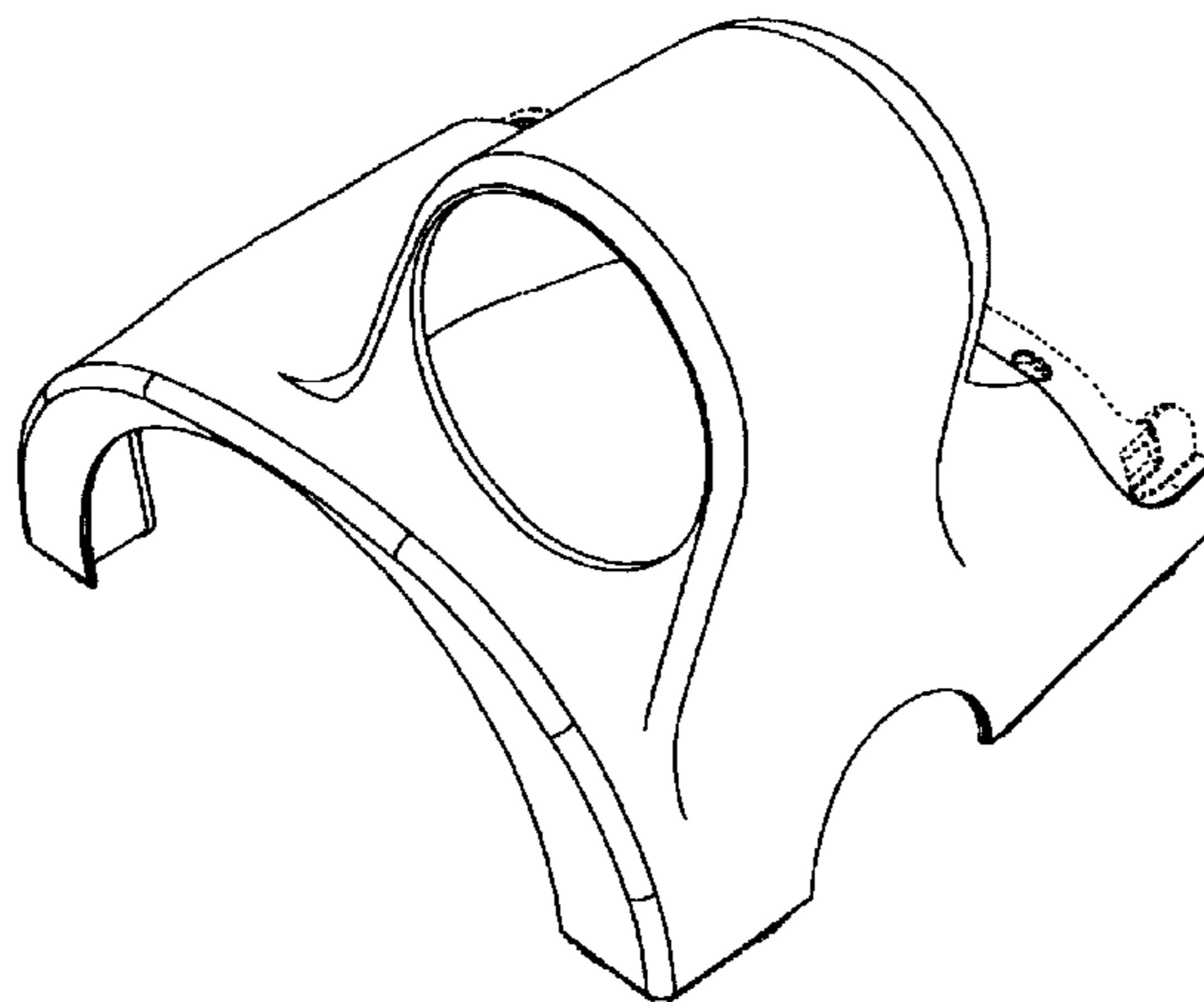


Fig-1

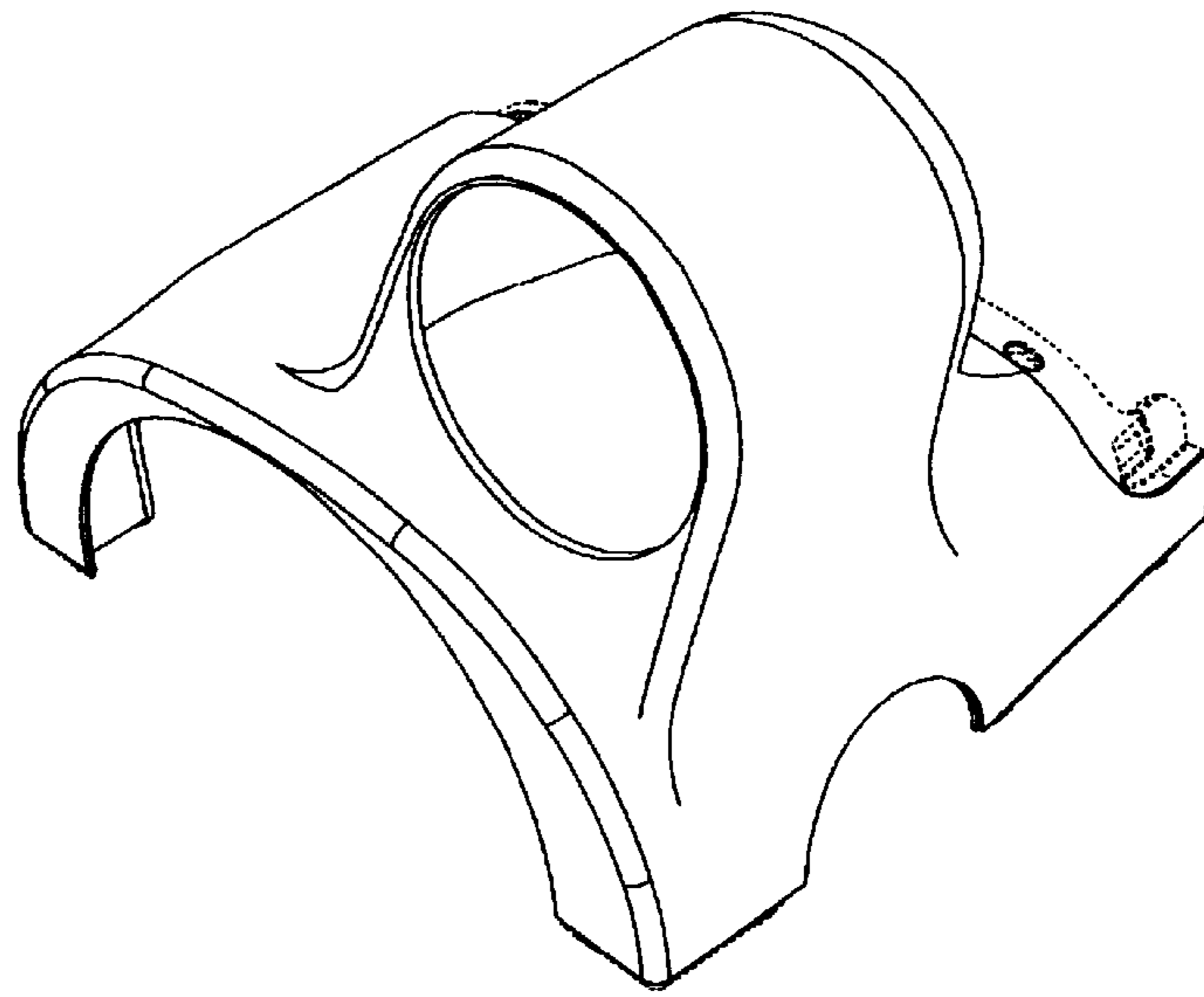


Fig-2

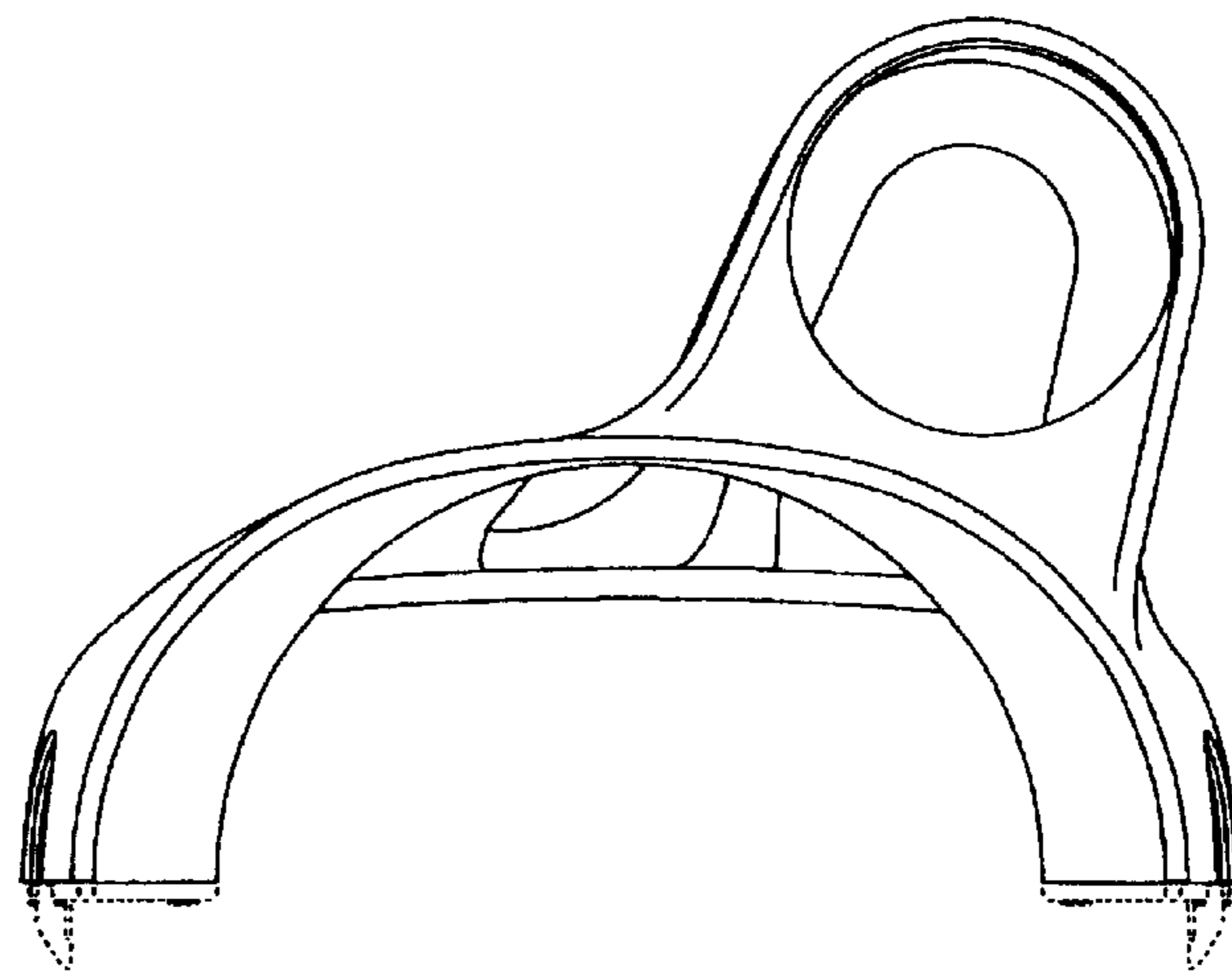


Fig-3

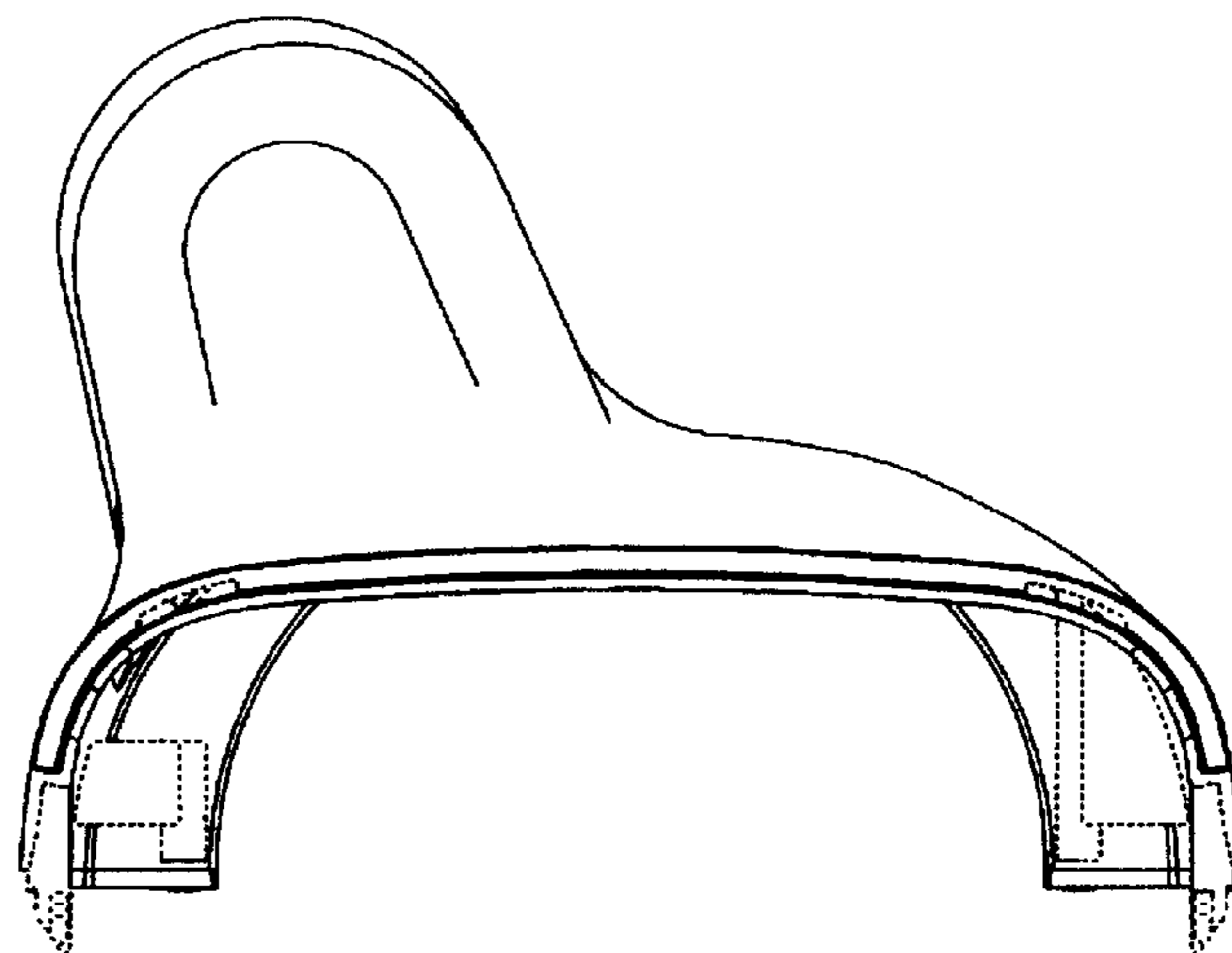


Fig-4

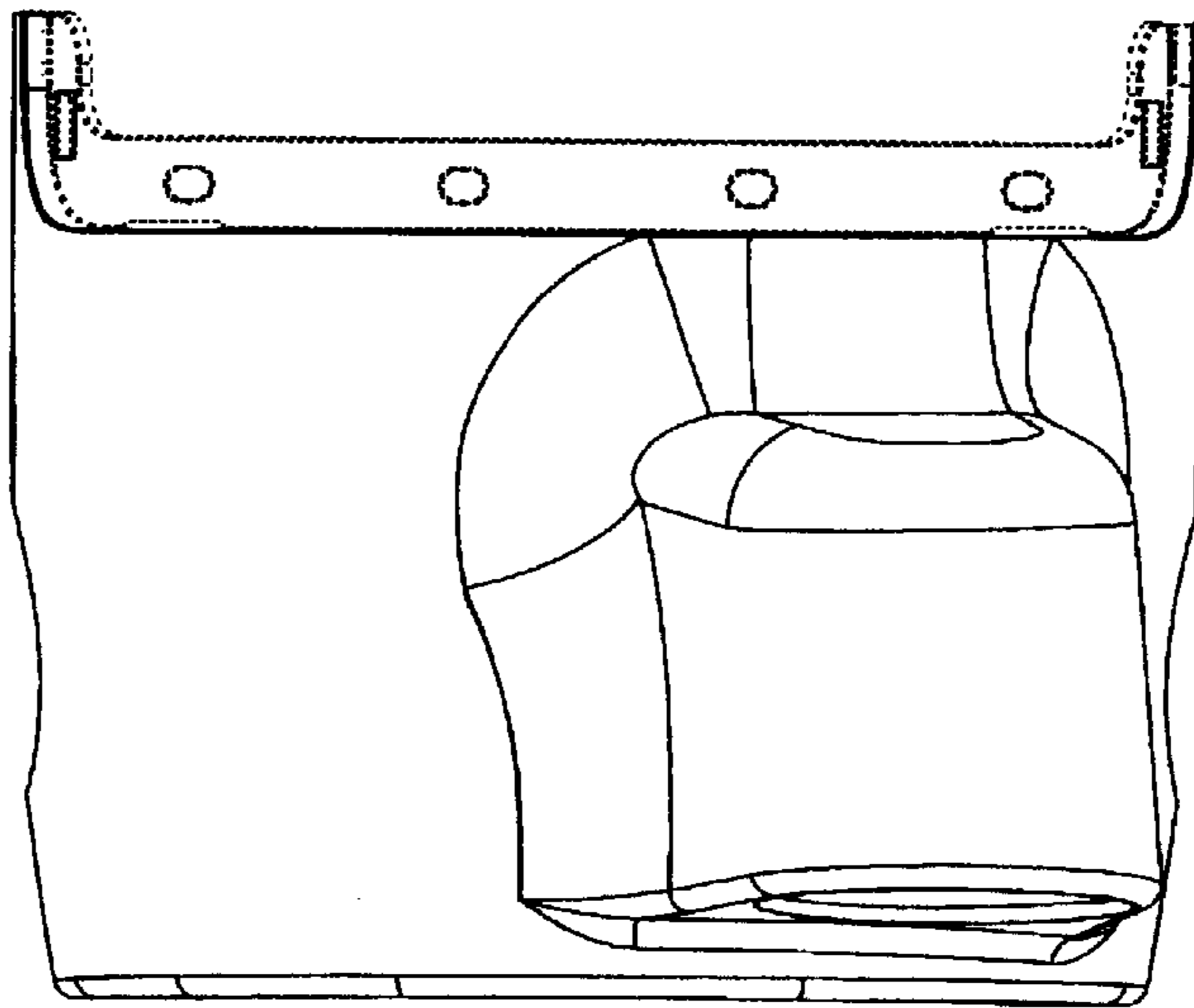


Fig-5

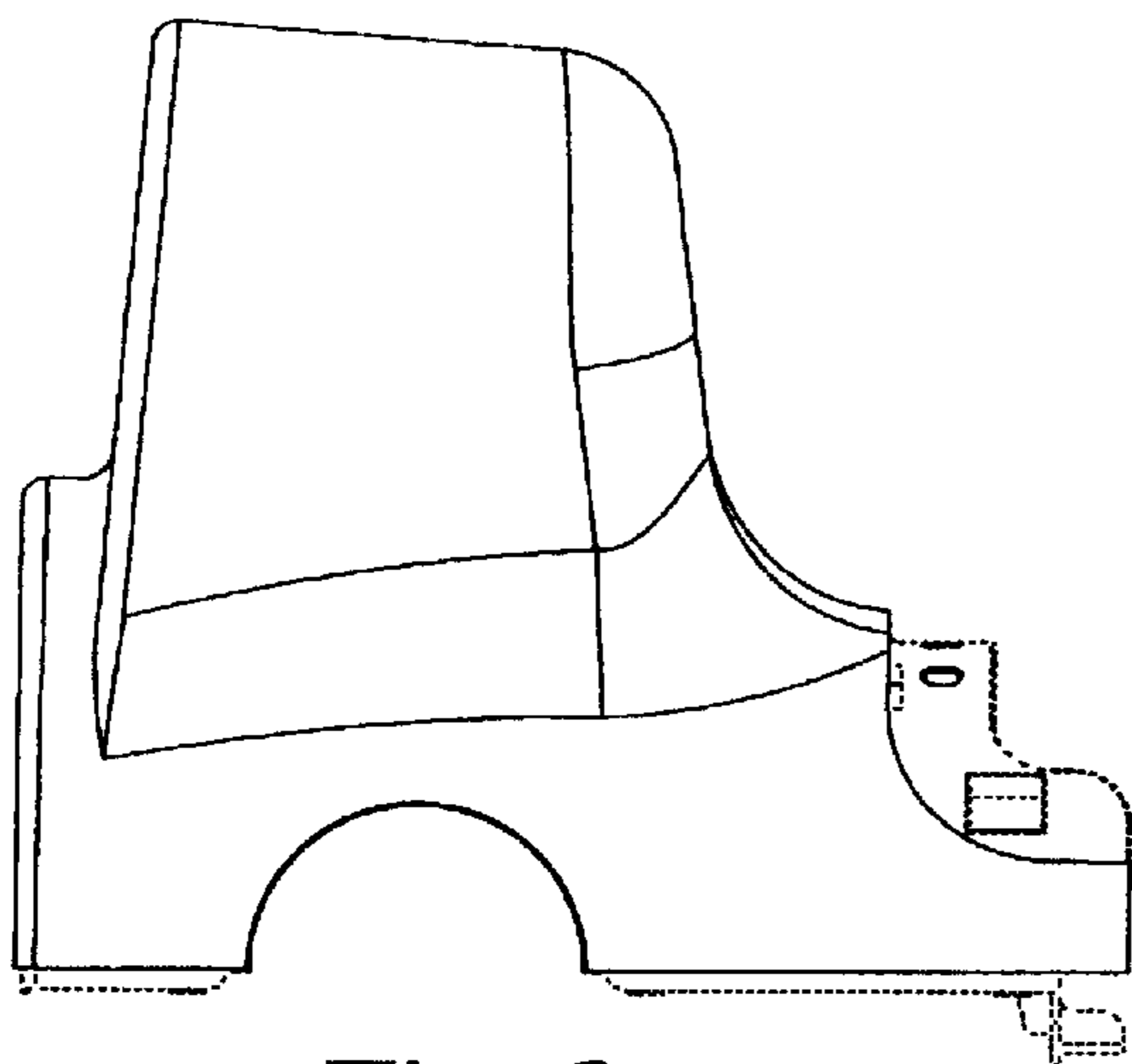
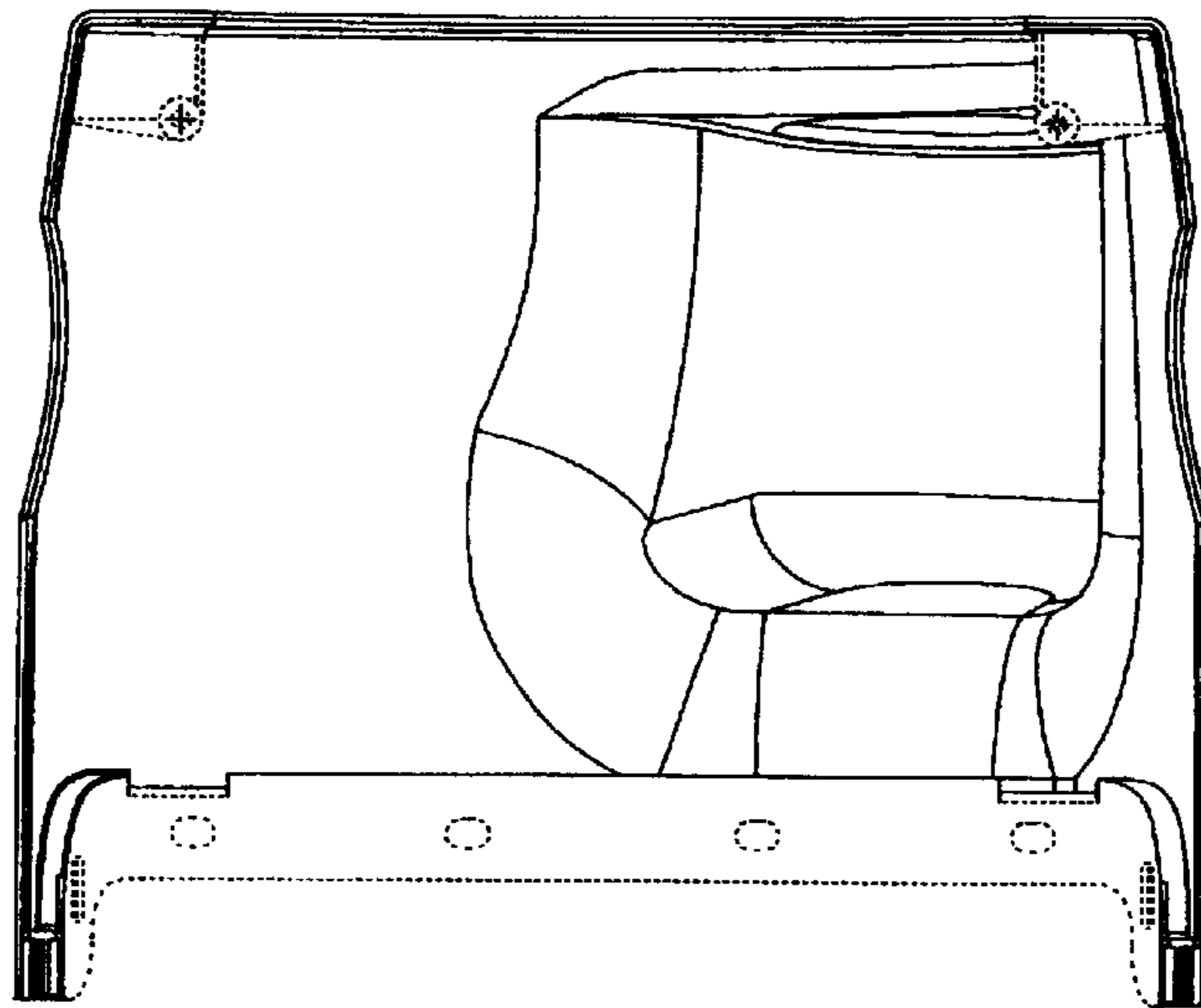


Fig-6

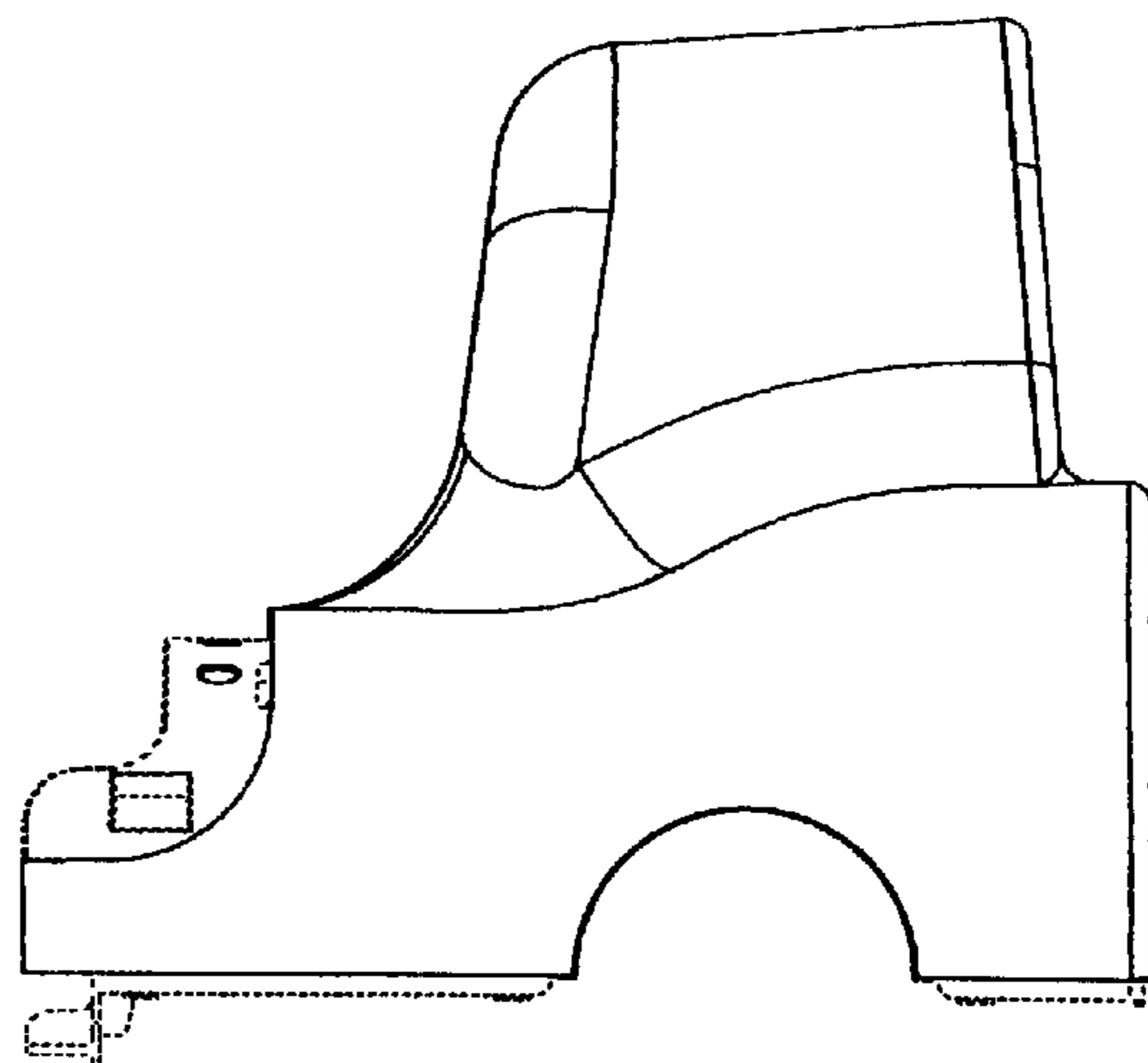


Fig-7

Fig-8

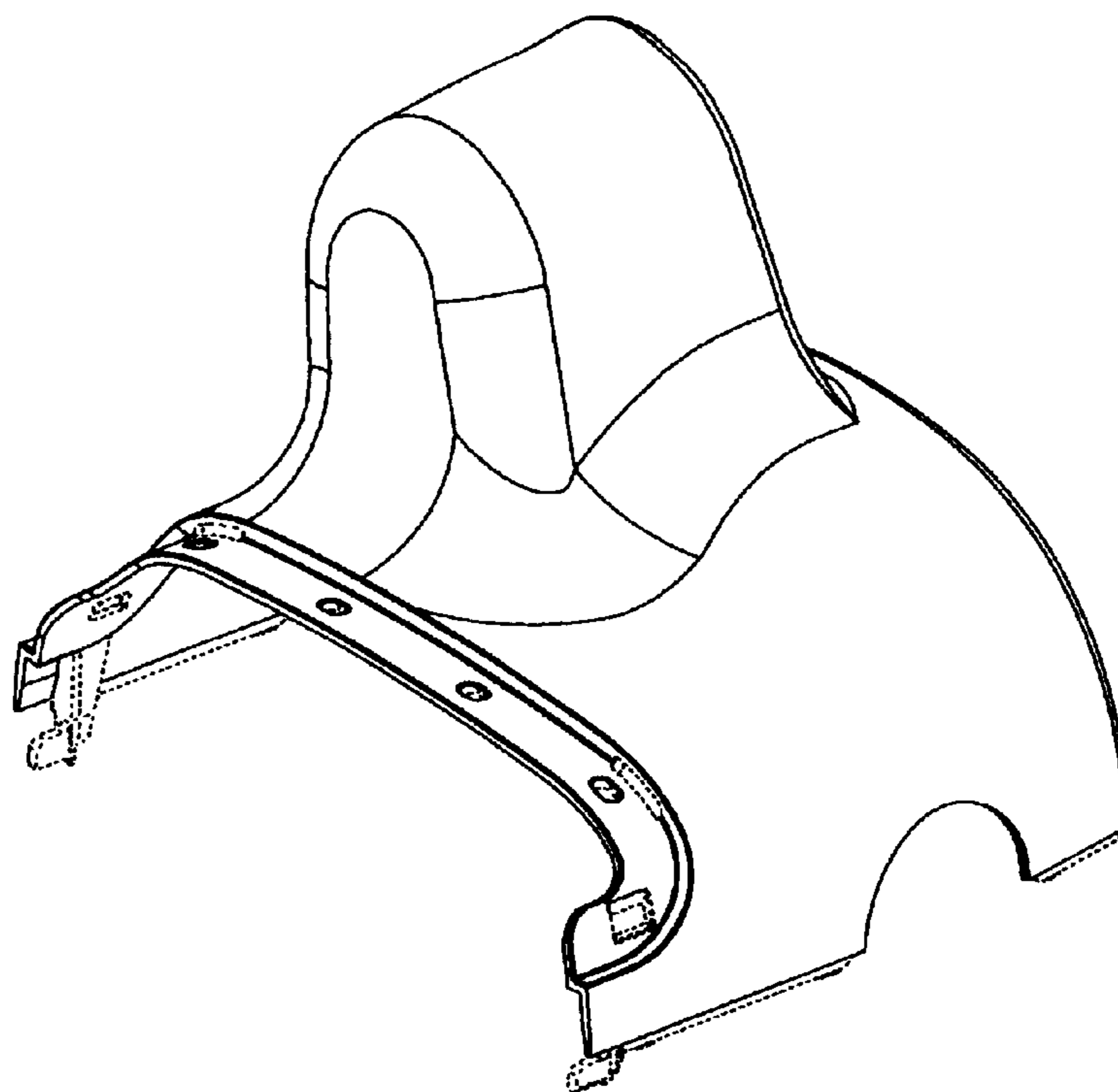


Fig-9

