



US00D538715S

(12) **United States Design Patent**
Brodsky

(10) **Patent No.:** **US D538,715 S**

(45) **Date of Patent:** **** Mar. 20, 2007**

(54) **MOTORCYCLE FRAME**

* cited by examiner

(76) Inventor: **Rastislav Brodsky**, 6941 NW. 77th Ter.,
Miami, FL (US) 33166

Primary Examiner—Alan P. Douglas

Assistant Examiner—Linda Brooks

(74) *Attorney, Agent, or Firm*—Malloy & Malloy, P.A.

(**) Term: **14 Years**

(57) **CLAIM**

(21) Appl. No.: **29/256,170**

The ornamental design for a motorcycle frame, as shown and described.

(22) Filed: **Mar. 16, 2006**

(51) **LOC (8) Cl.** **12-11**

DESCRIPTION

(52) **U.S. Cl.** **D12/110**

(58) **Field of Classification Search** D12/110,
D12/117; 180/219, 311, 312; 280/274, 281.1,
280/283, 288.1, 288.2, 288.3, 288.4
See application file for complete search history.

FIG. 1 is a front perspective view illustrating my design for a motorcycle frame;

FIG. 2 is a front view thereof;

FIG. 3 is a right side view thereof;

FIG. 4 is a top view thereof;

FIG. 5 is a left side view thereof;

FIG. 6 is a bottom view thereof; and,

FIG. 7 is a rear view thereof.

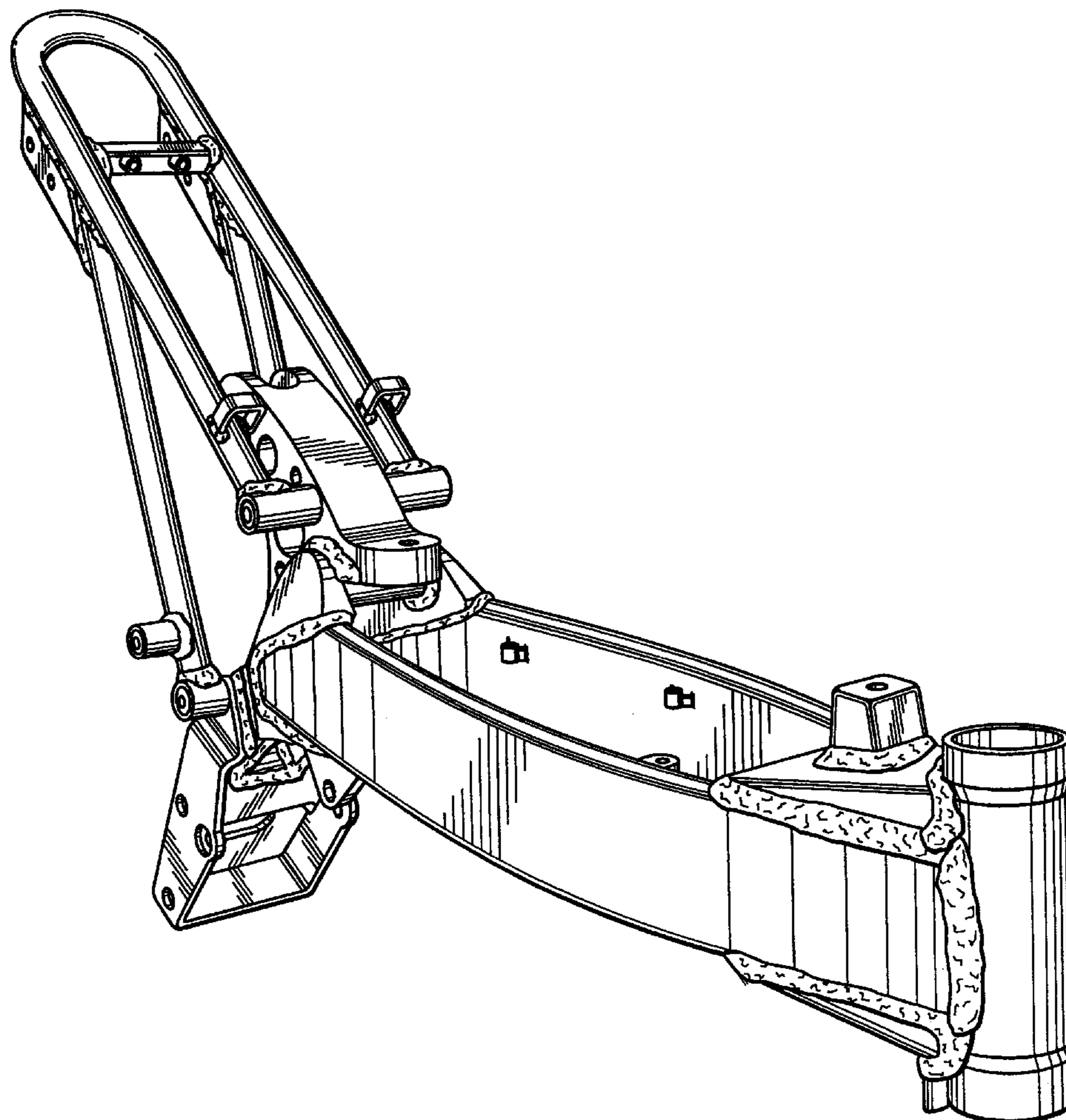
(56) **References Cited**

U.S. PATENT DOCUMENTS

D522,928 S * 6/2006 Brown et al. D12/110

D523,379 S * 6/2006 Brown et al. D12/110

1 Claim, 5 Drawing Sheets



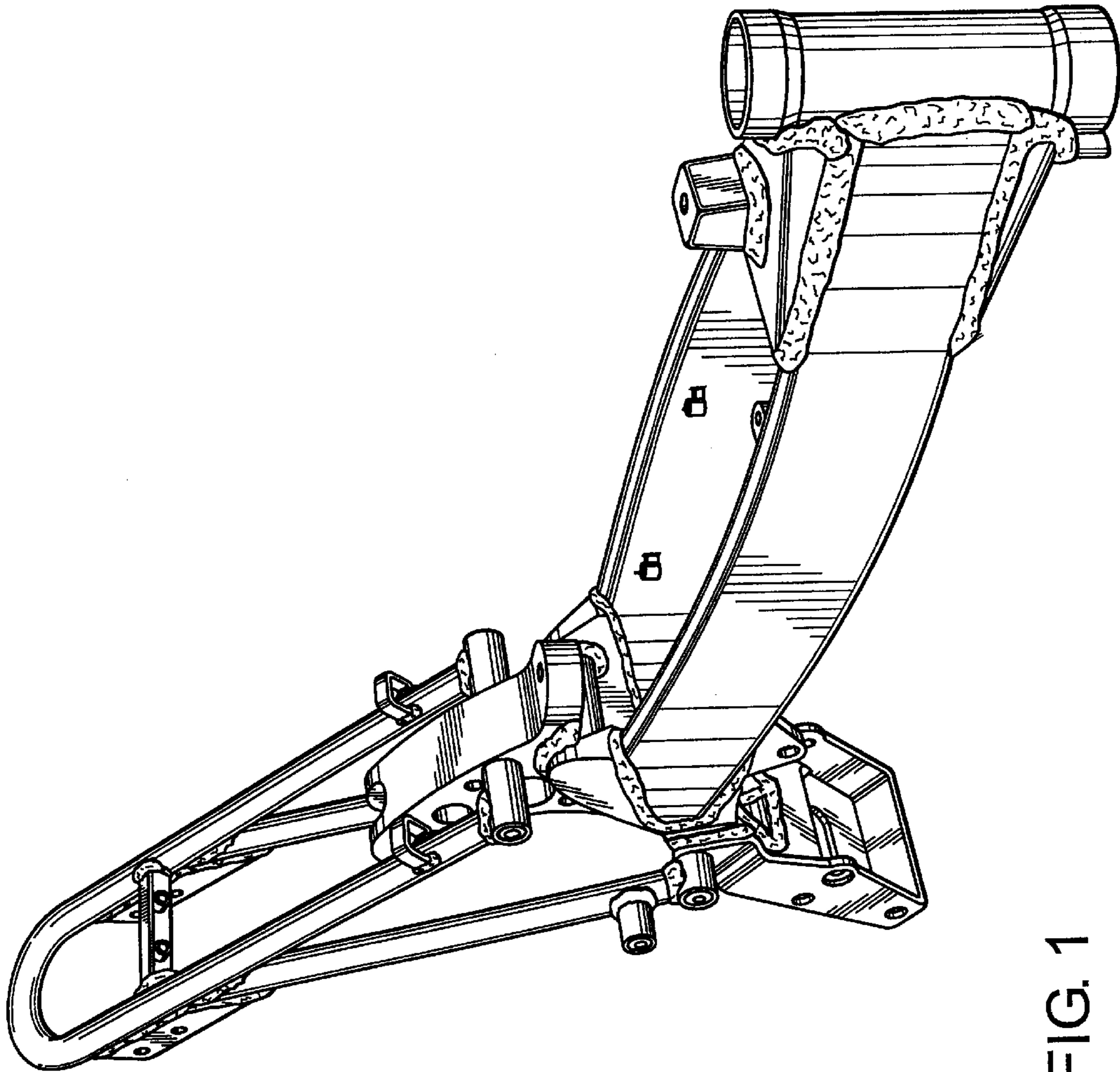


FIG. 1

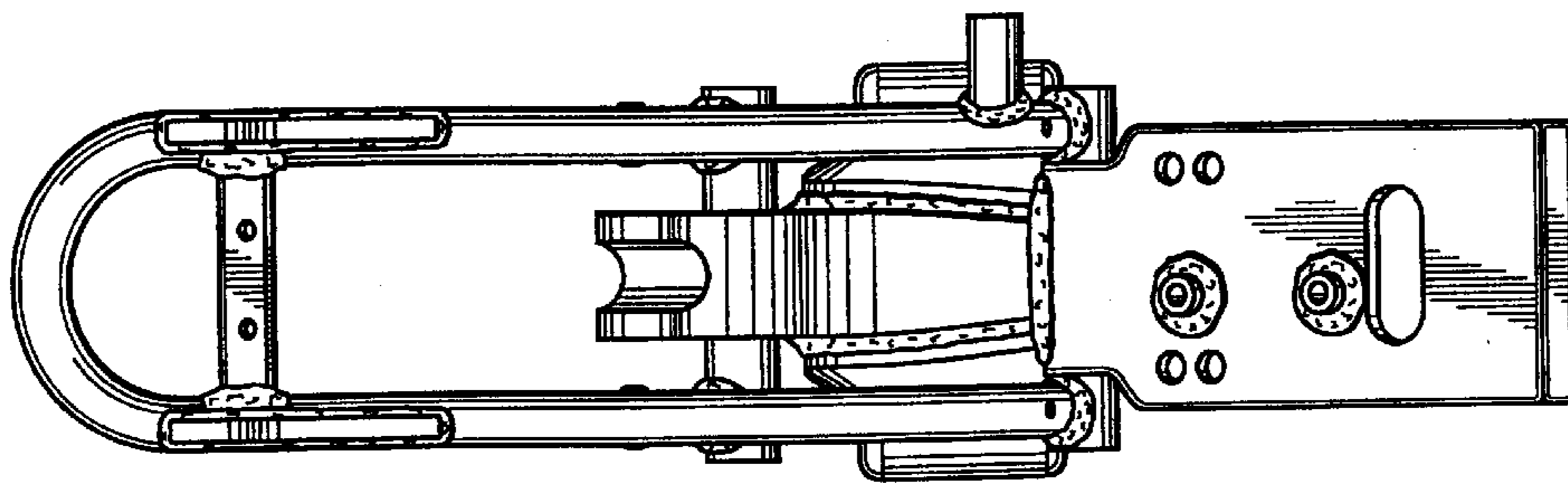


FIG. 7

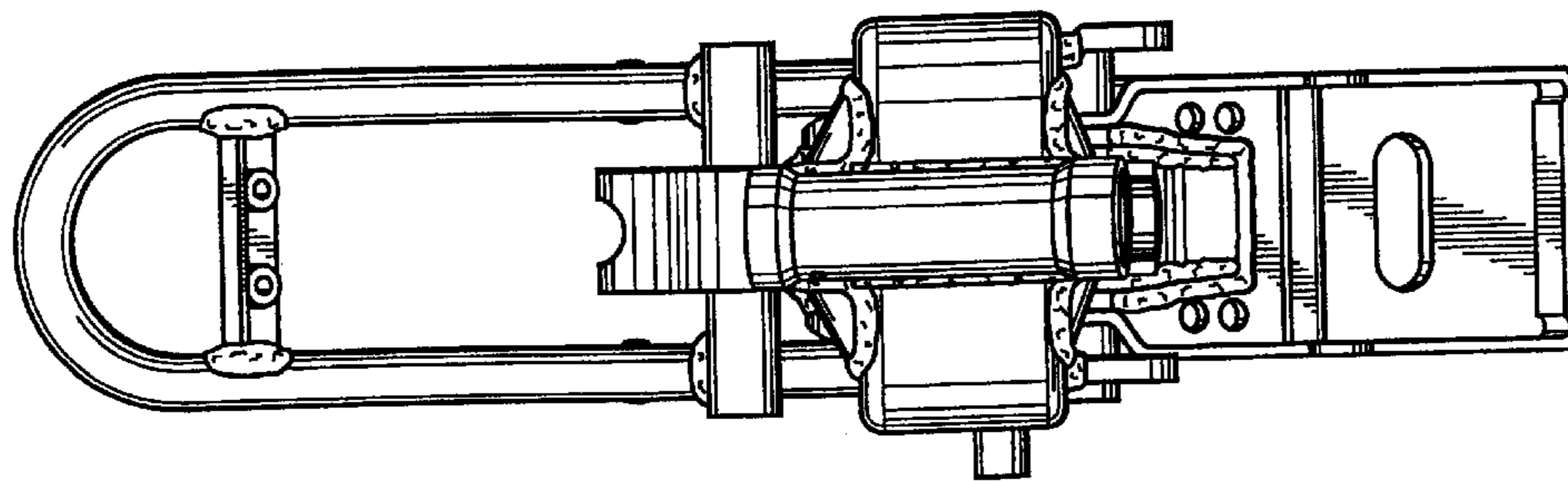


FIG. 2

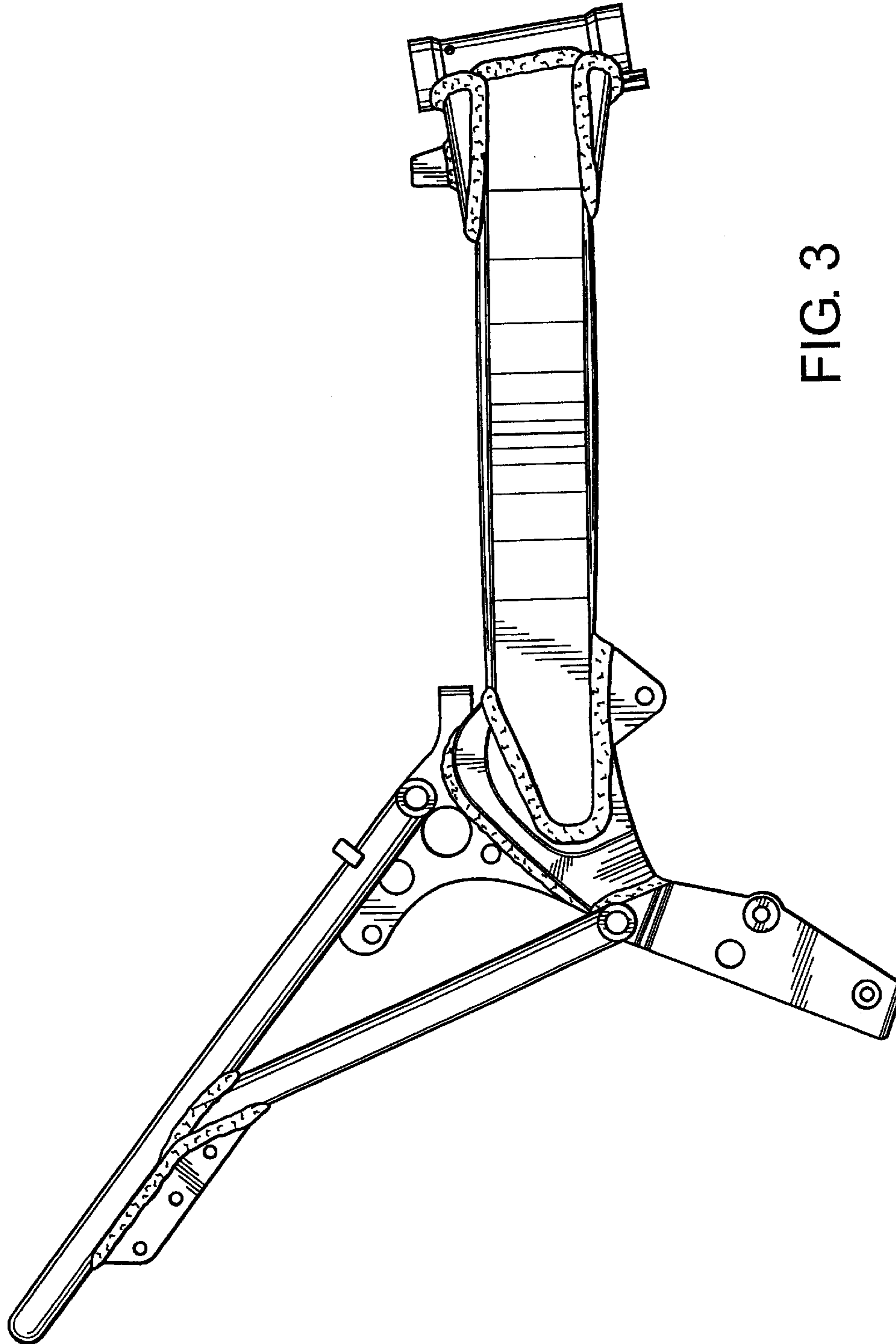


FIG. 3

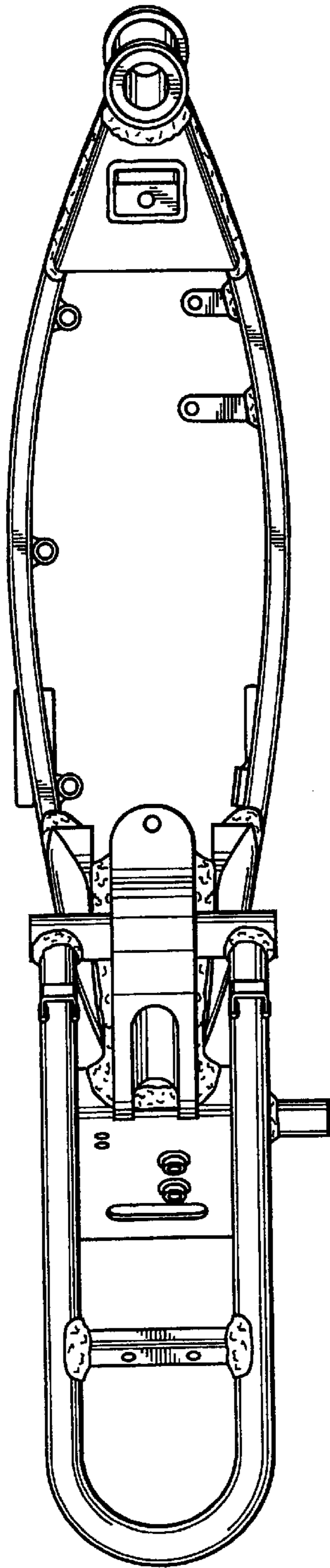


FIG. 4

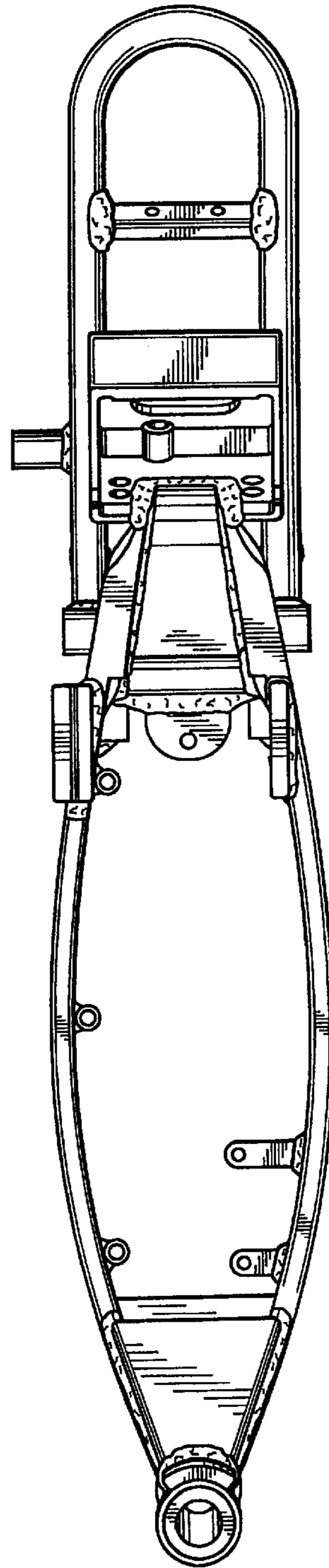


FIG. 6

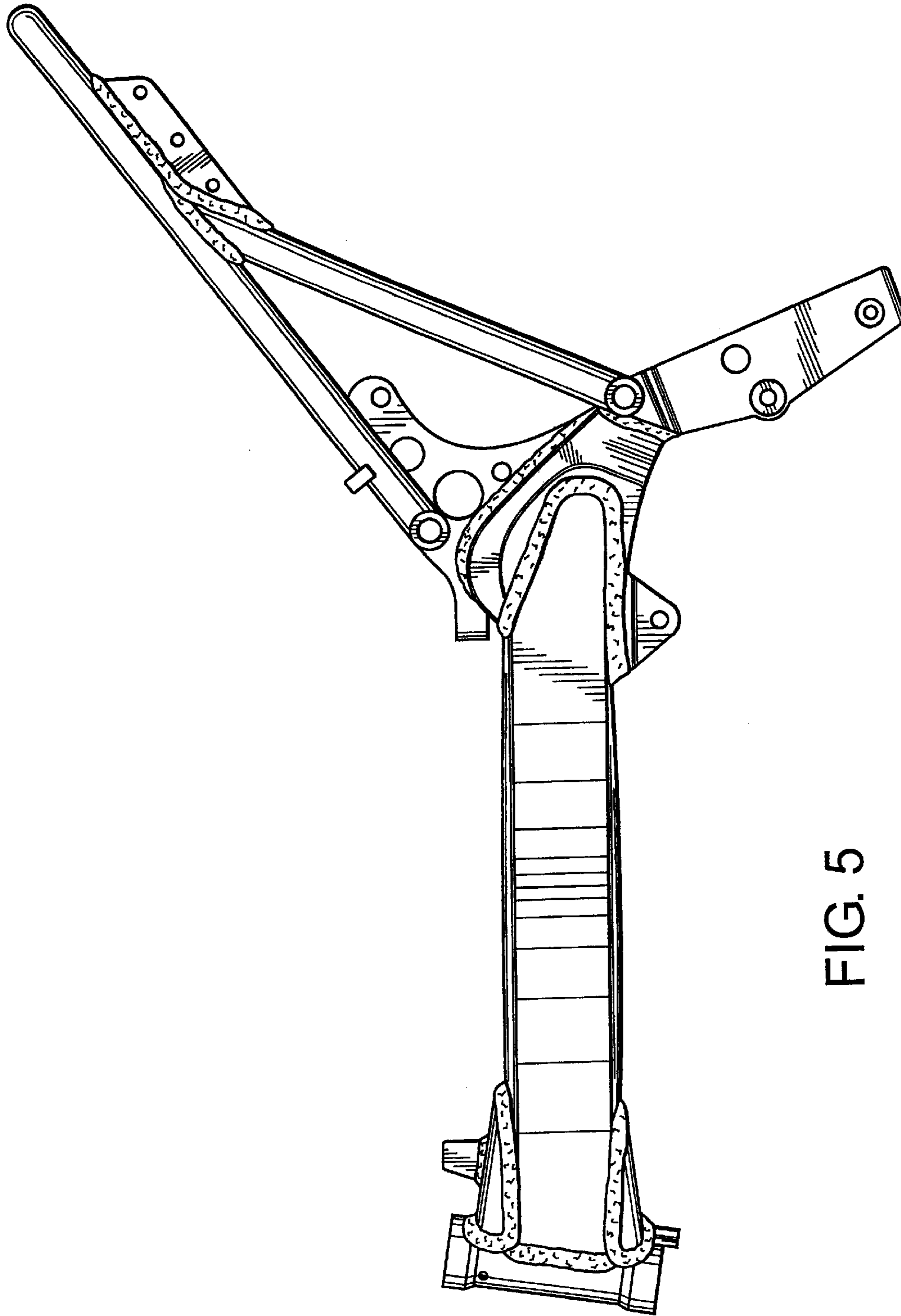


FIG. 5