



US00D538714S

(12) **United States Design Patent**  
**Okuyama et al.**

(10) **Patent No.:** **US D538,714 S**

(45) **Date of Patent:** **\*\* Mar. 20, 2007**

(54) **MOPED**

(75) Inventors: **Kiyoyuki Okuyama**, Cambiano (IT);  
**Donato Pacella**, Cambiano (IT)

(73) Assignee: **Sinbar**, Paris (FR)

(\*\*) Term: **14 Years**

(21) Appl. No.: **29/255,756**

(22) Filed: **Mar. 13, 2006**

(30) **Foreign Application Priority Data**

Sep. 13, 2005 (EM) ..... 000400106

(51) **LOC (8) Cl.** ..... **12-11**

(52) **U.S. Cl.** ..... **D12/110**

(58) **Field of Classification Search** ..... D12/110;  
180/219, 220, 223, 225, 205-207; 280/220,  
280/221, 227, 275, 278, 287, 288, 281.1,  
280/288.1, 288.2, 288.3, 274

See application file for complete search history.

(56) **References Cited**

**U.S. PATENT DOCUMENTS**

D253,102 S \* 10/1979 Hahn ..... D12/110

D269,772 S \* 7/1983 Hahn ..... D12/110

2002/0046891 A1 \* 4/2002 Honda et al. .... 180/220

\* cited by examiner

*Primary Examiner*—Alan P. Douglas

*Assistant Examiner*—Linda Brooks

(74) *Attorney, Agent, or Firm*—Stites & Harbison PLLC;

Douglas E. Jackson

(57) **CLAIM**

The ornamental design for a moped, as shown and described.

**DESCRIPTION**

FIG. 1 is a perspective front, top and right side view of a moped according to the present invention.

FIG. 2 is a perspective back, bottom and left side view of the moped depicted in FIG. 1.

FIG. 3 is a right side view of the moped depicted in FIG. 1.

FIG. 4 is a left side view of the moped depicted in FIG. 1.

FIG. 5 is front view of the moped depicted in FIG. 1.

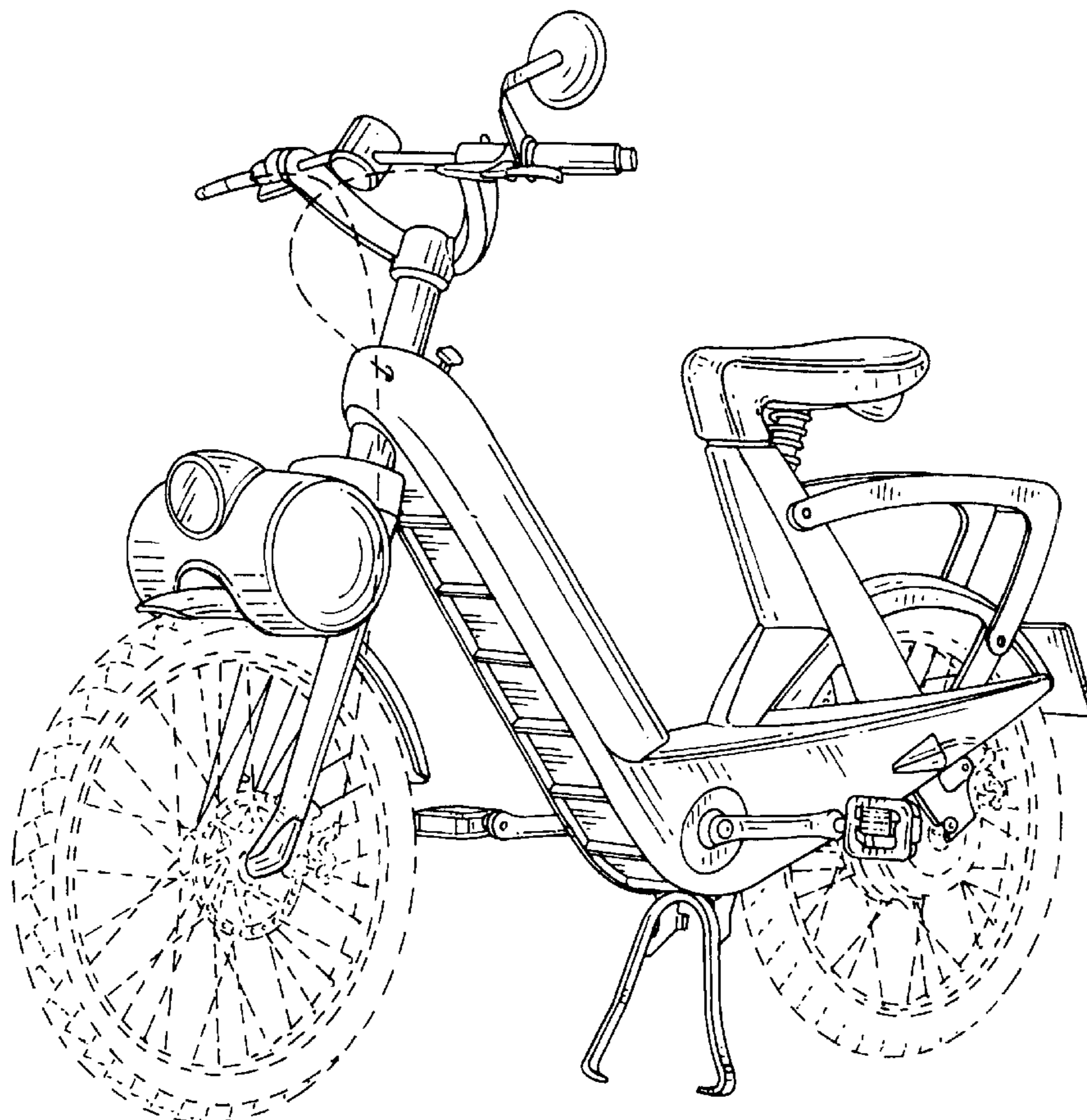
FIG. 6 is rear view of the moped depicted in FIG. 1; and,

FIG. 7 is a top view of the moped depicted in FIG. 1.

The foot pedal assemblies are shown in alternate positions of use in the drawing figures.

The portions shown in broken lines are for illustrative purposes only and form no part of the claimed invention.

**1 Claim, 7 Drawing Sheets**



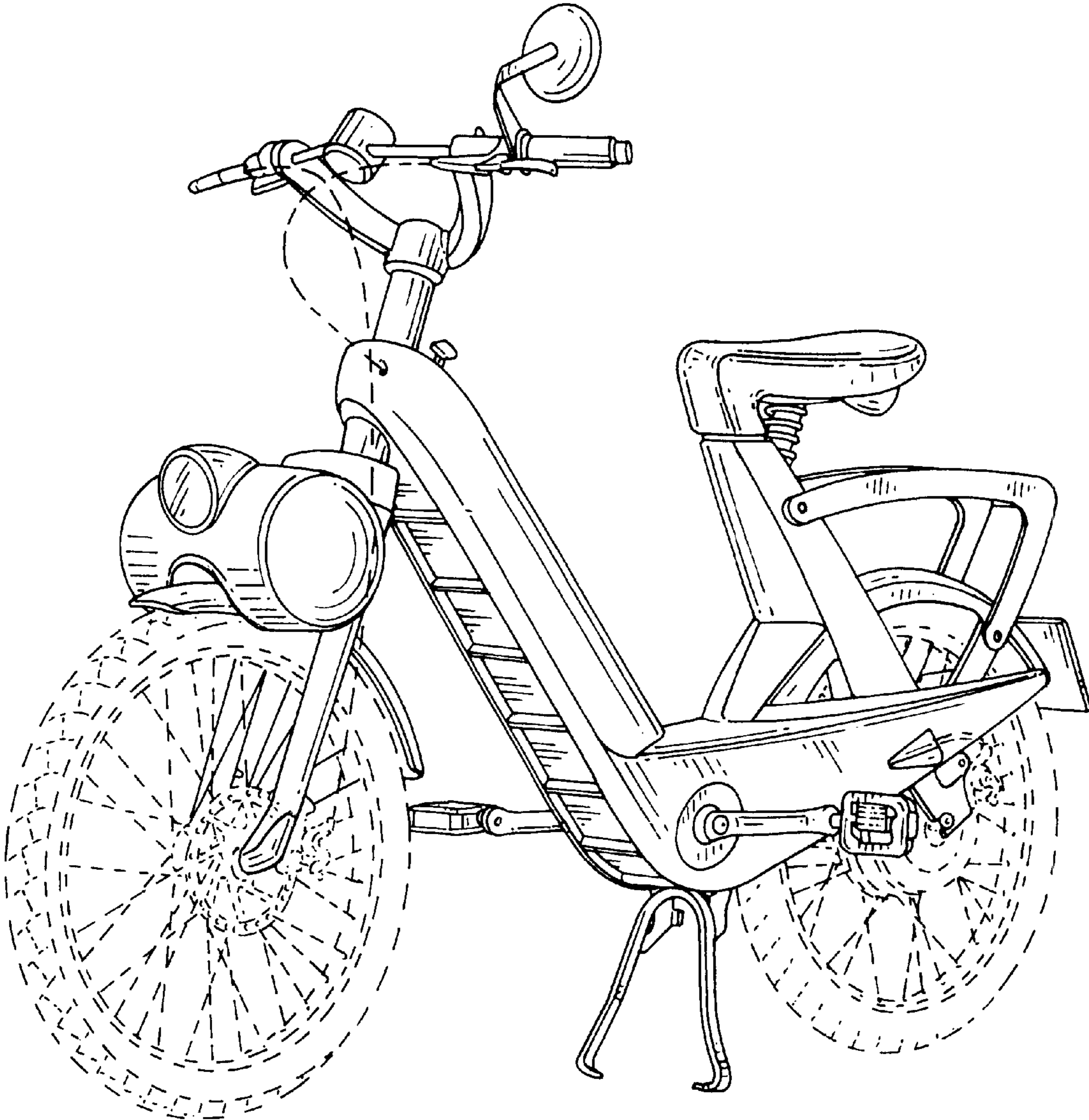


FIG. 1

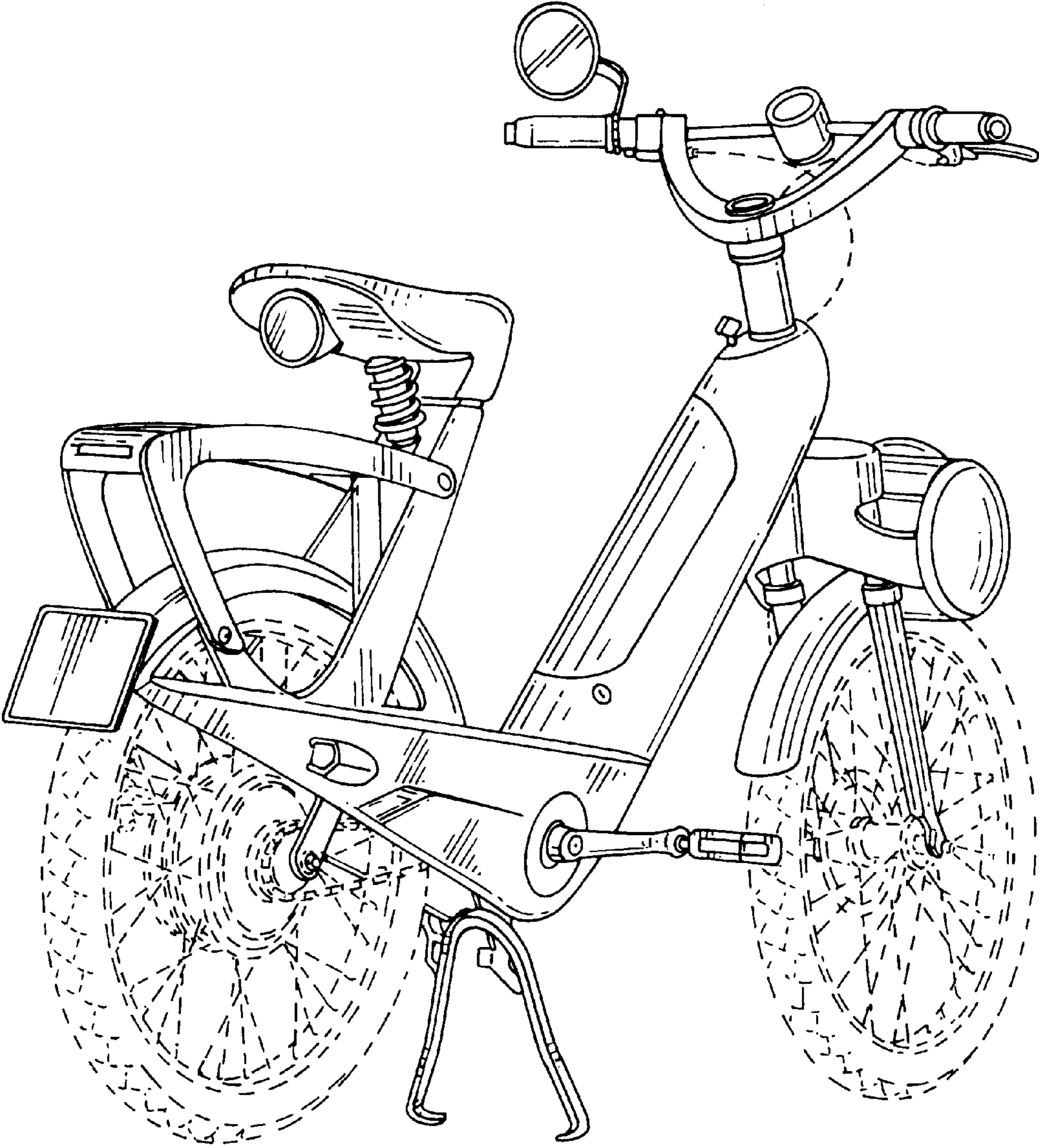


FIG. 2

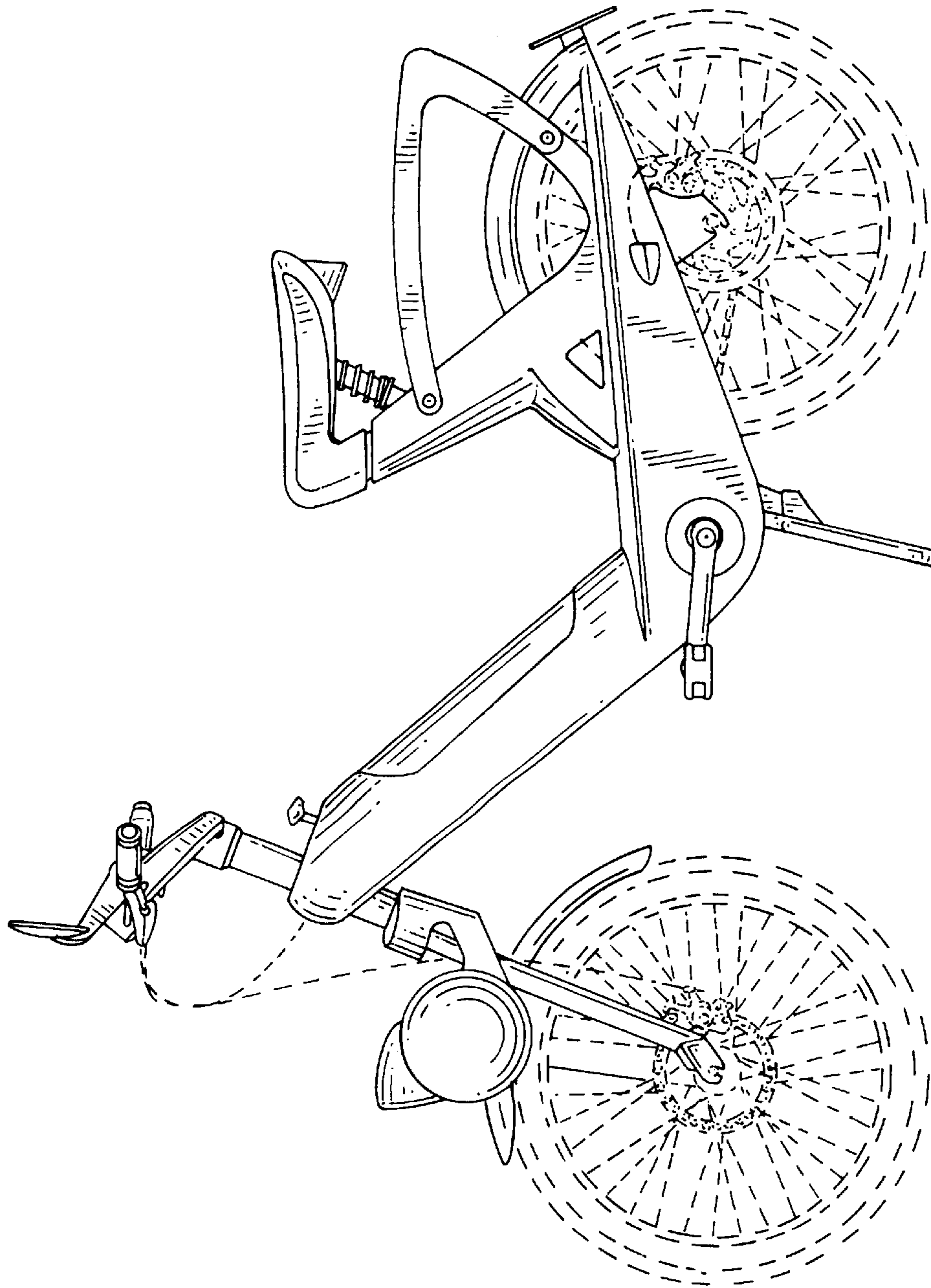


FIG. 3

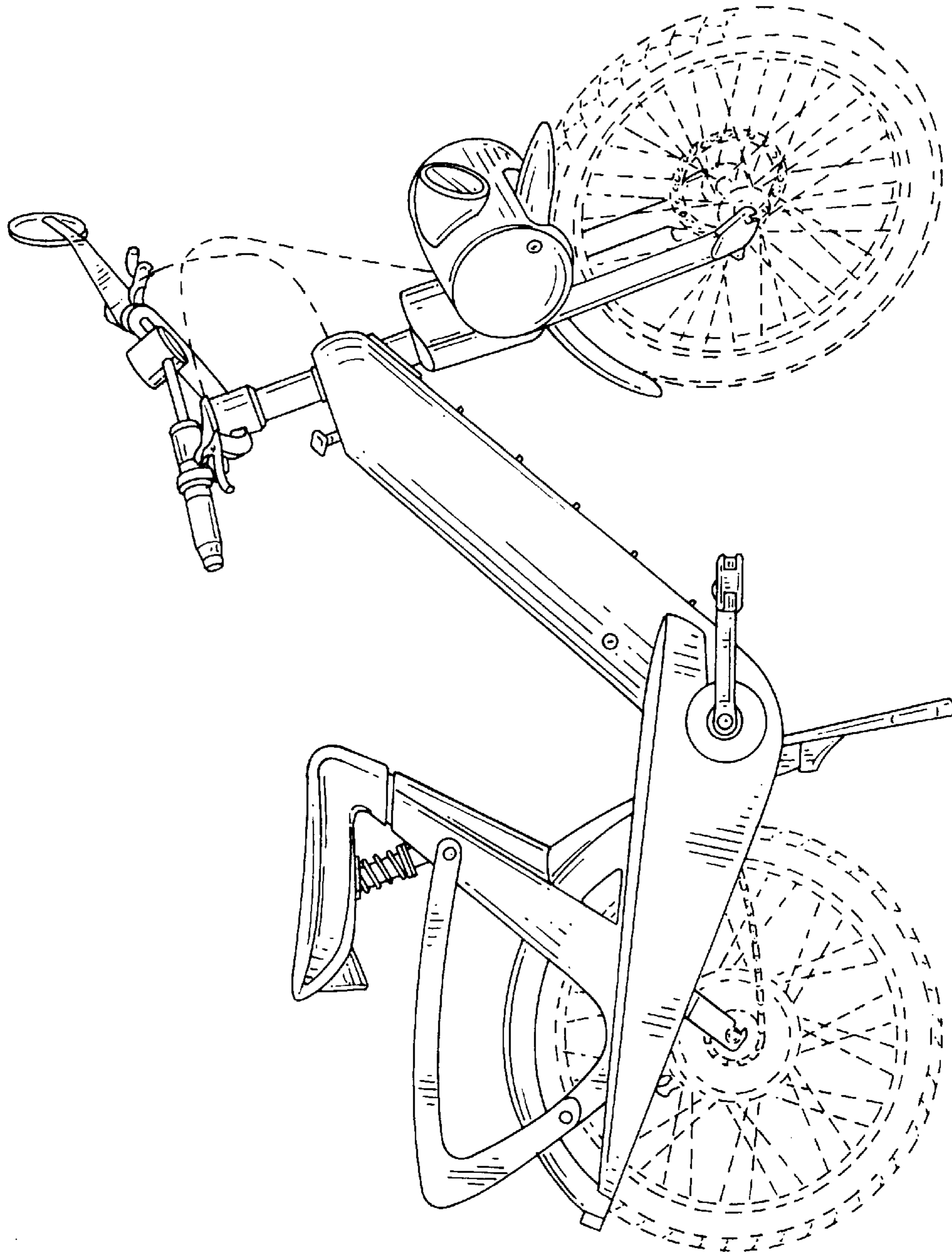


FIG. 4

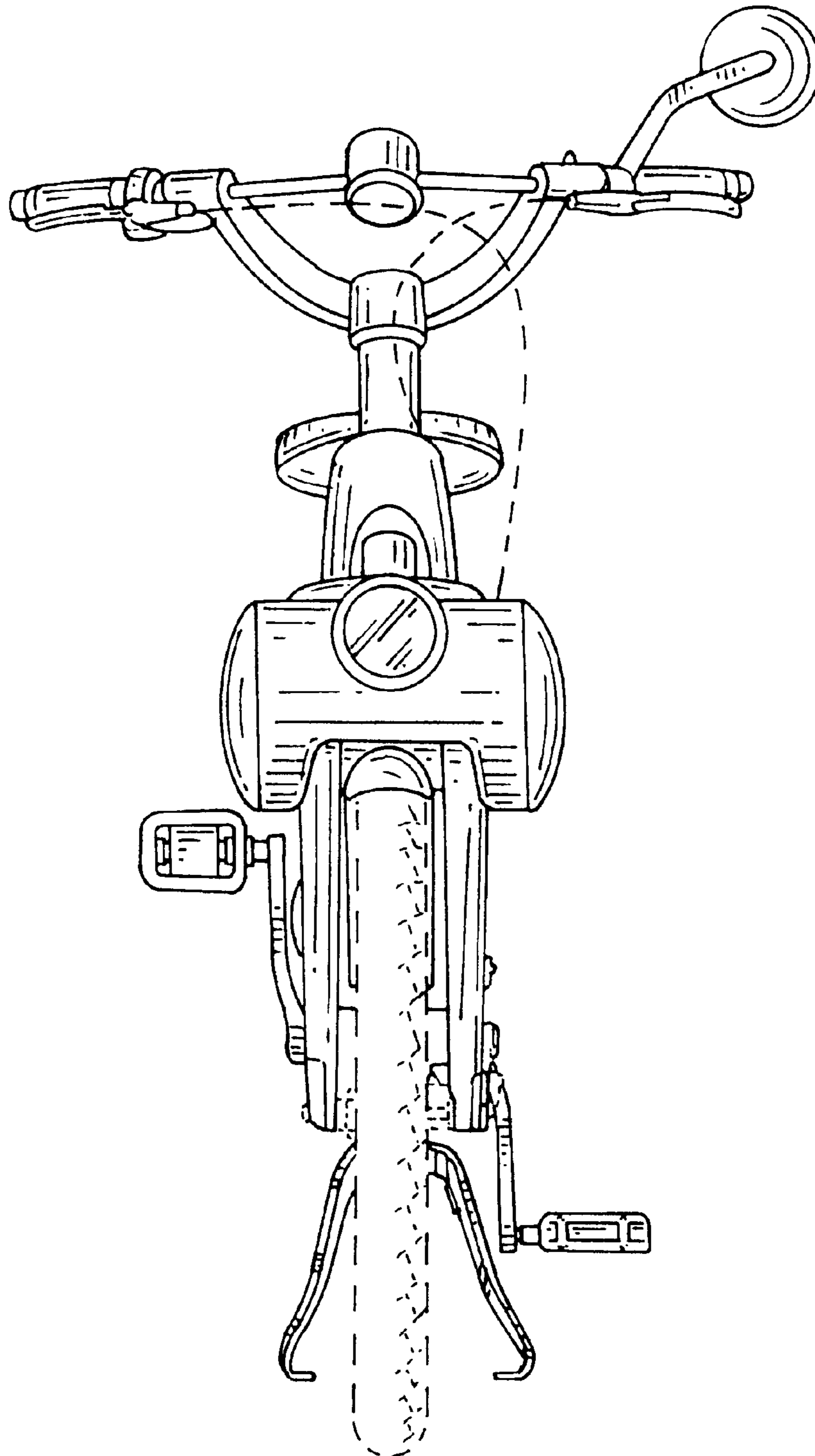


FIG. 5

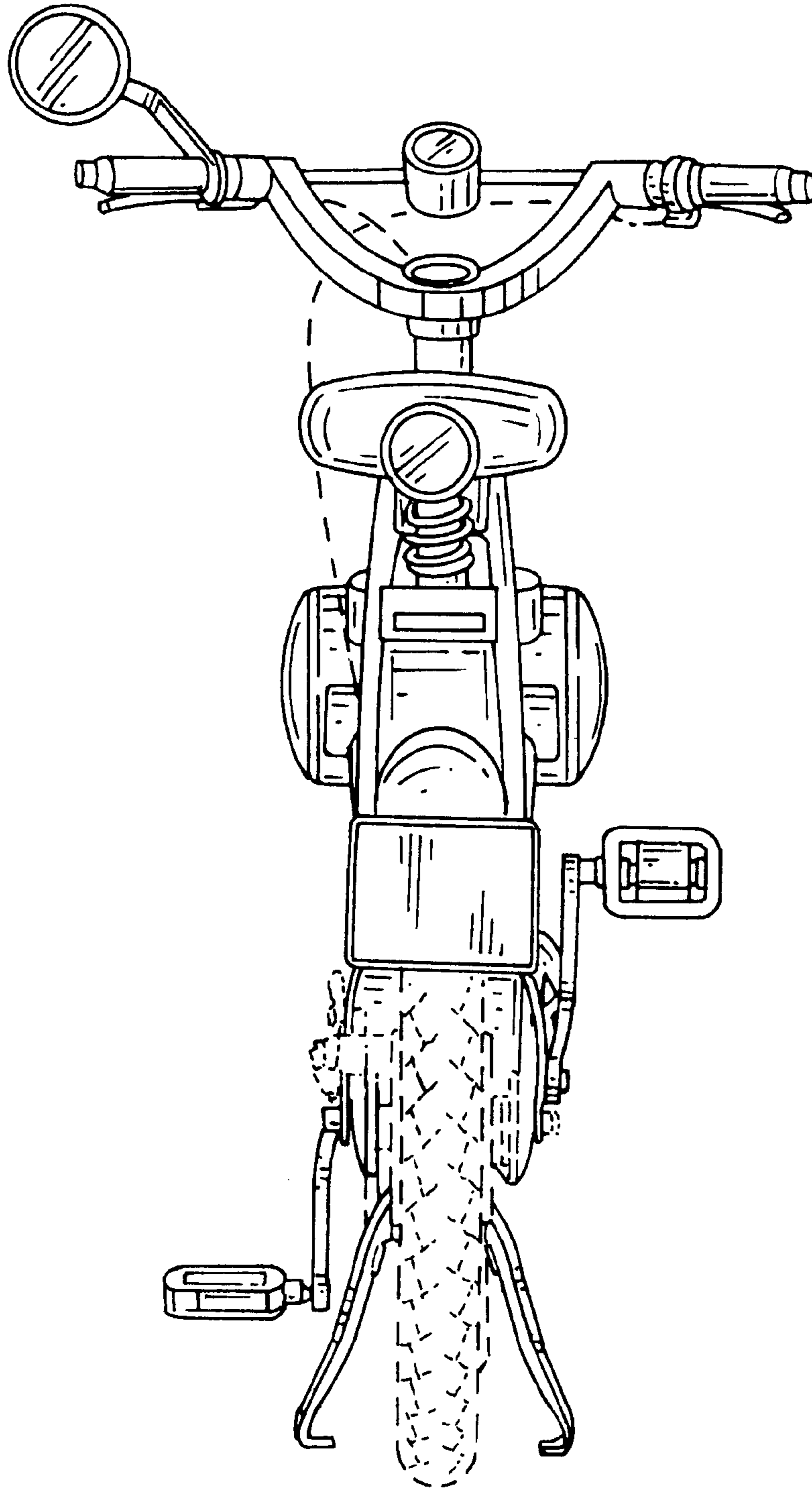


FIG. 6

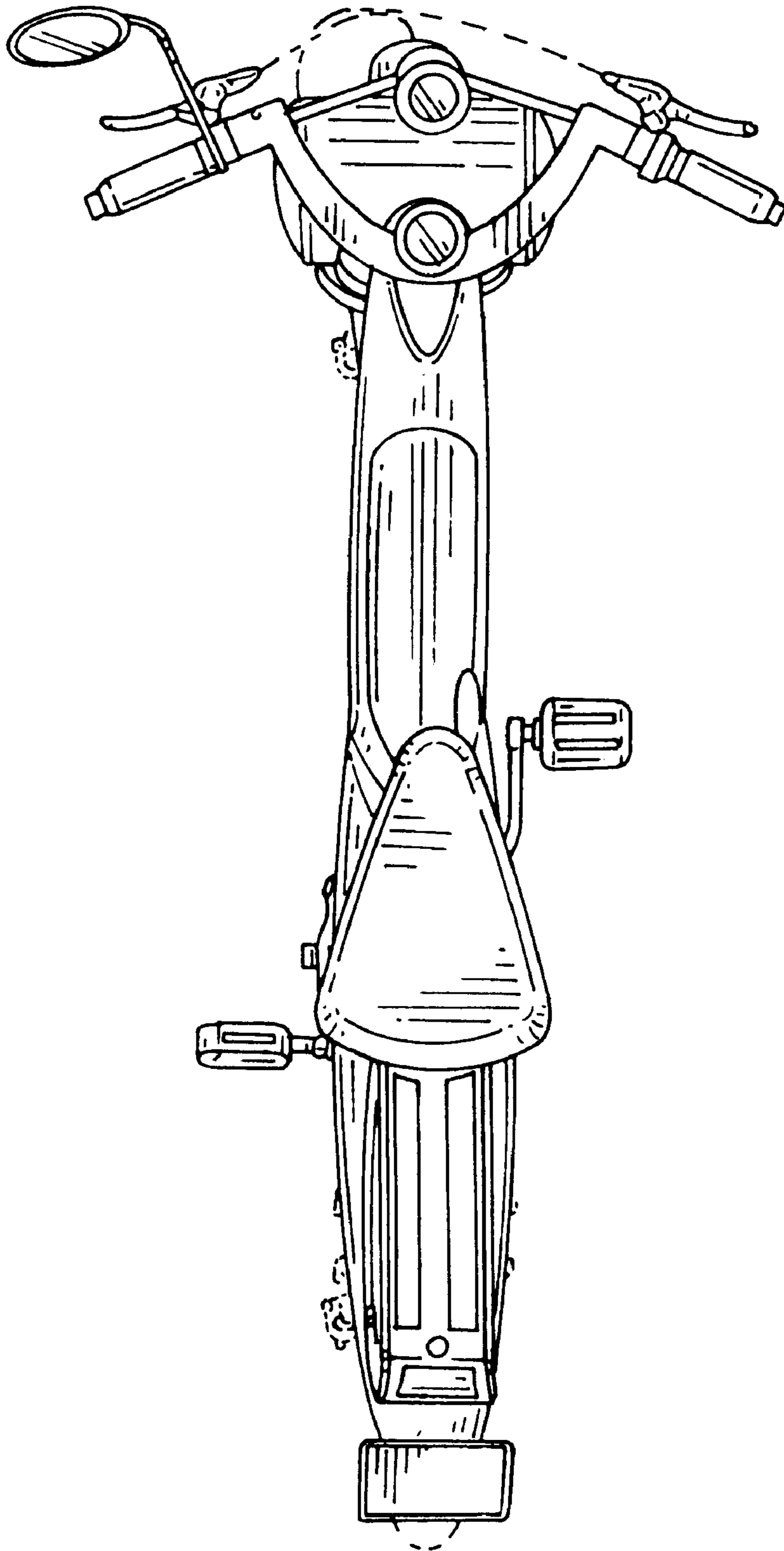


FIG. 7