



US00D538713S

(12) **United States Design Patent**  
**Brodsky**

(10) **Patent No.:** **US D538,713 S**

(45) **Date of Patent:** **\*\* Mar. 20, 2007**

(54) **BILLET SPINAL FRAME**

(76) **Inventor:** **Rastislav Brodsky**, 13000 Biscayne  
Island Ter., Miami, FL (US) 33181

(\*\*) **Term:** **14 Years**

(21) **Appl. No.:** **29/242,893**

(22) **Filed:** **Nov. 16, 2005**

(51) **LOC (8) Cl.** ..... **12-11**

(52) **U.S. Cl.** ..... **D12/110**

(58) **Field of Classification Search** ..... D12/110,  
D12/117; 180/219, 311, 312; 280/274, 281.1,  
280/283, 288.1, 288.2, 288.3, 288.4  
See application file for complete search history.

(56) **References Cited**

**U.S. PATENT DOCUMENTS**

D239,824 S	5/1976	Marsee
D242,238 S	11/1976	Richardson
D432,952 S	10/2000	Scruggs
D446,476 S	8/2001	Wallace et al.
D453,489 S	2/2002	Wallace et al.
D454,318 S	3/2002	Schroeder et al.
D470,437 S	2/2003	Wachendorf et al.
D483,300 S	12/2003	James

D498,179 S	11/2004	James	
D498,708 S	11/2004	James	
D517,953 S	* 3/2006	Mirsky	..... D12/110
2004/0182634 A1	9/2004	Adachi et al.	
2004/0207190 A1	10/2004	Nakagawa et al.	
2006/0196713 A1	* 9/2006	Taniguchi et al.	..... 280/283

\* cited by examiner

*Primary Examiner*—Alan P. Douglas

*Assistant Examiner*—Linda Brooks

(74) *Attorney, Agent, or Firm*—Malloy & Malloy, P.A.

(57) **CLAIM**

The ornamental design for a billet spinal frame, as shown and described.

**DESCRIPTION**

FIG. 1 is a front perspective view illustrating my design for a billet spinal frame;

FIG. 2 is a front view thereof;

FIG. 3 is a left side view thereof;

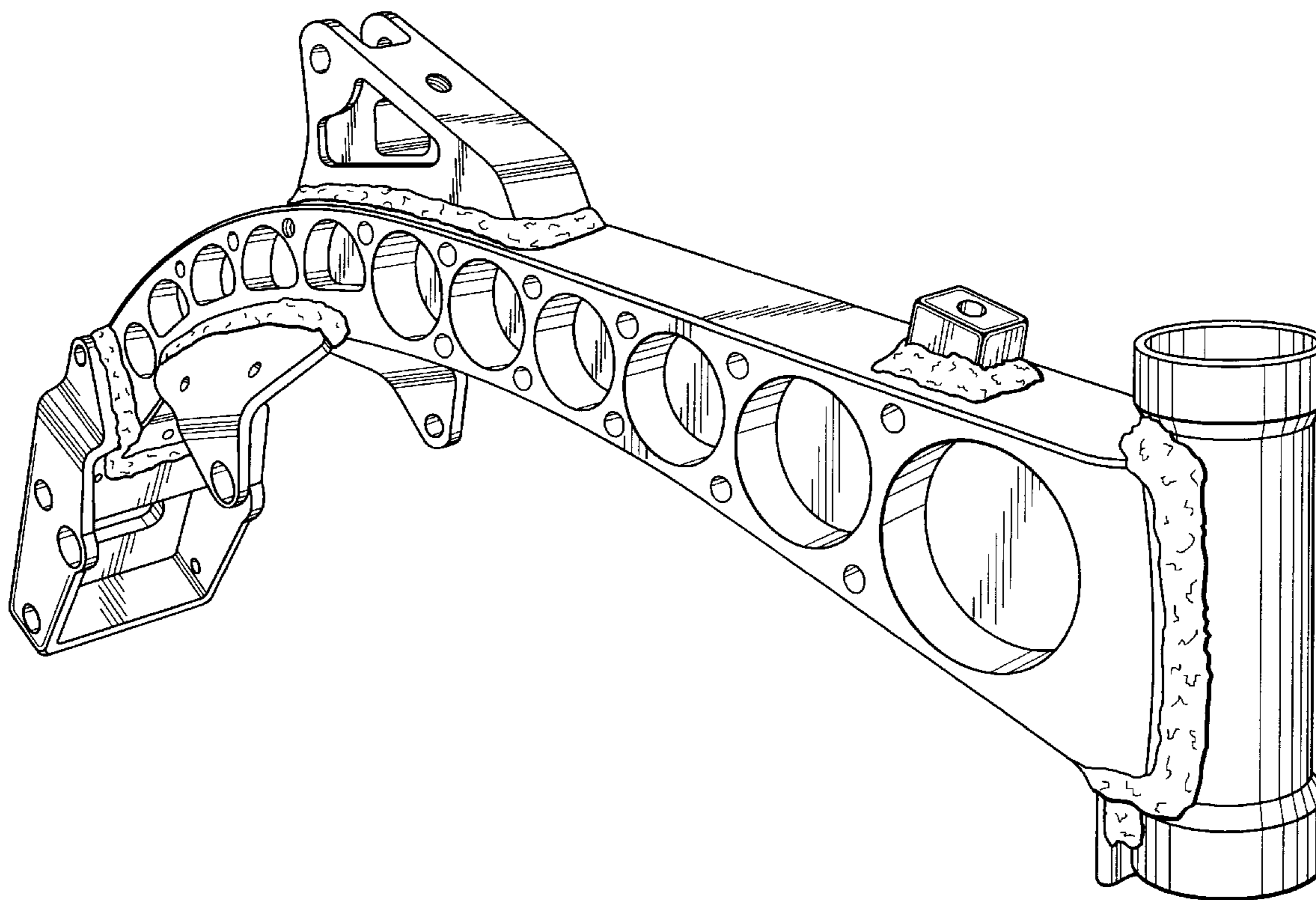
FIG. 4 is a top view thereof;

FIG. 5 is a right side view thereof;

FIG. 6 is a bottom view thereof; and,

FIG. 7 is a rear view thereof.

**1 Claim, 5 Drawing Sheets**



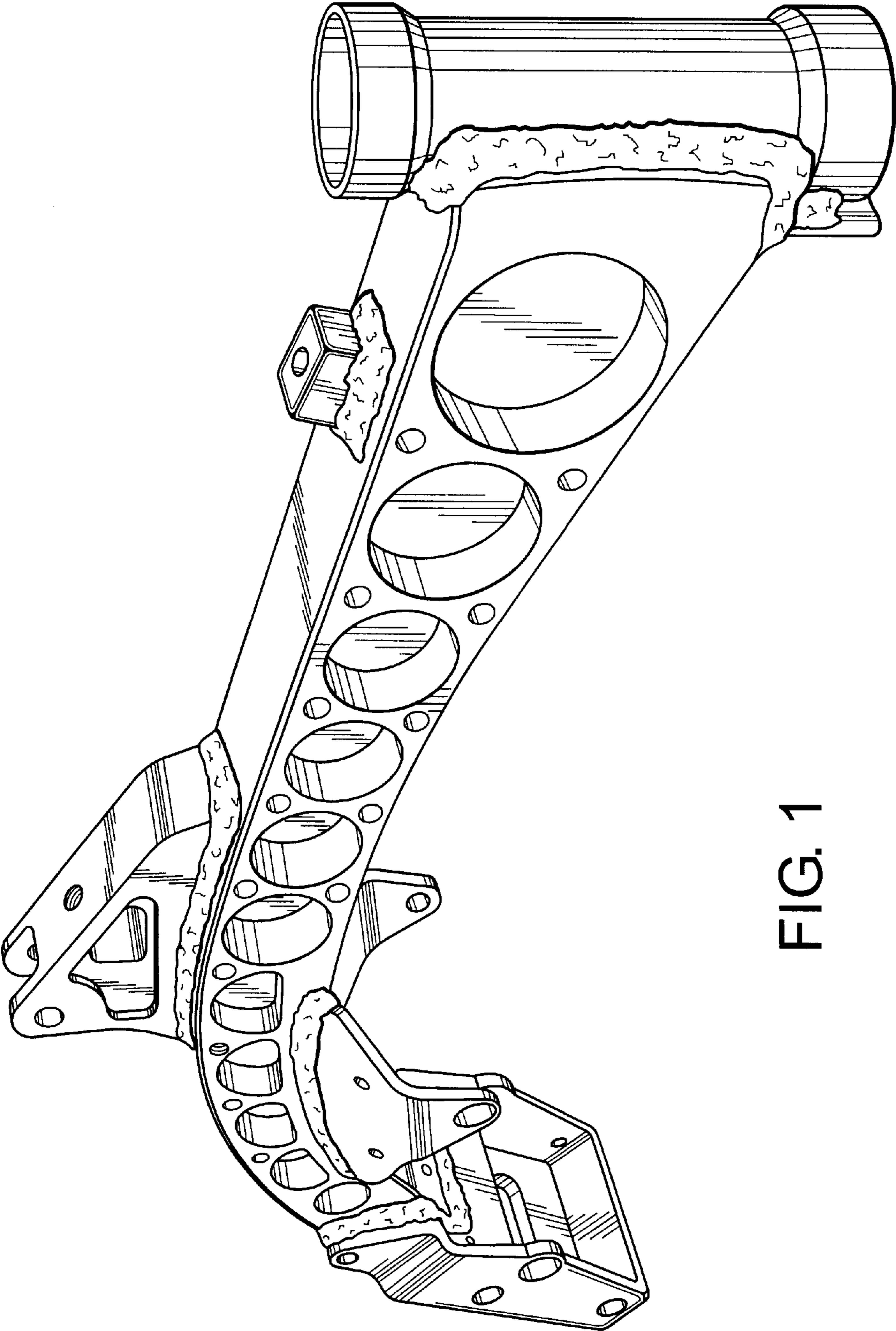


FIG. 1

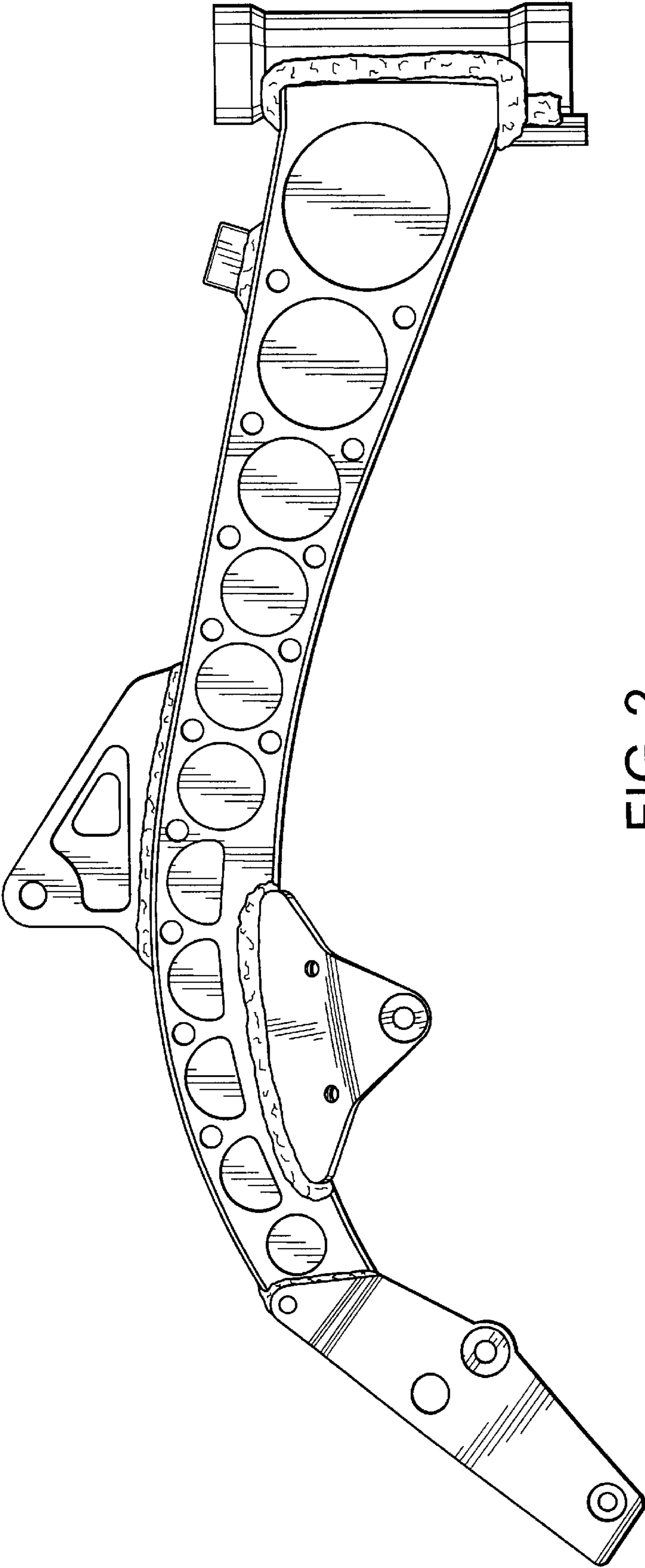


FIG. 2

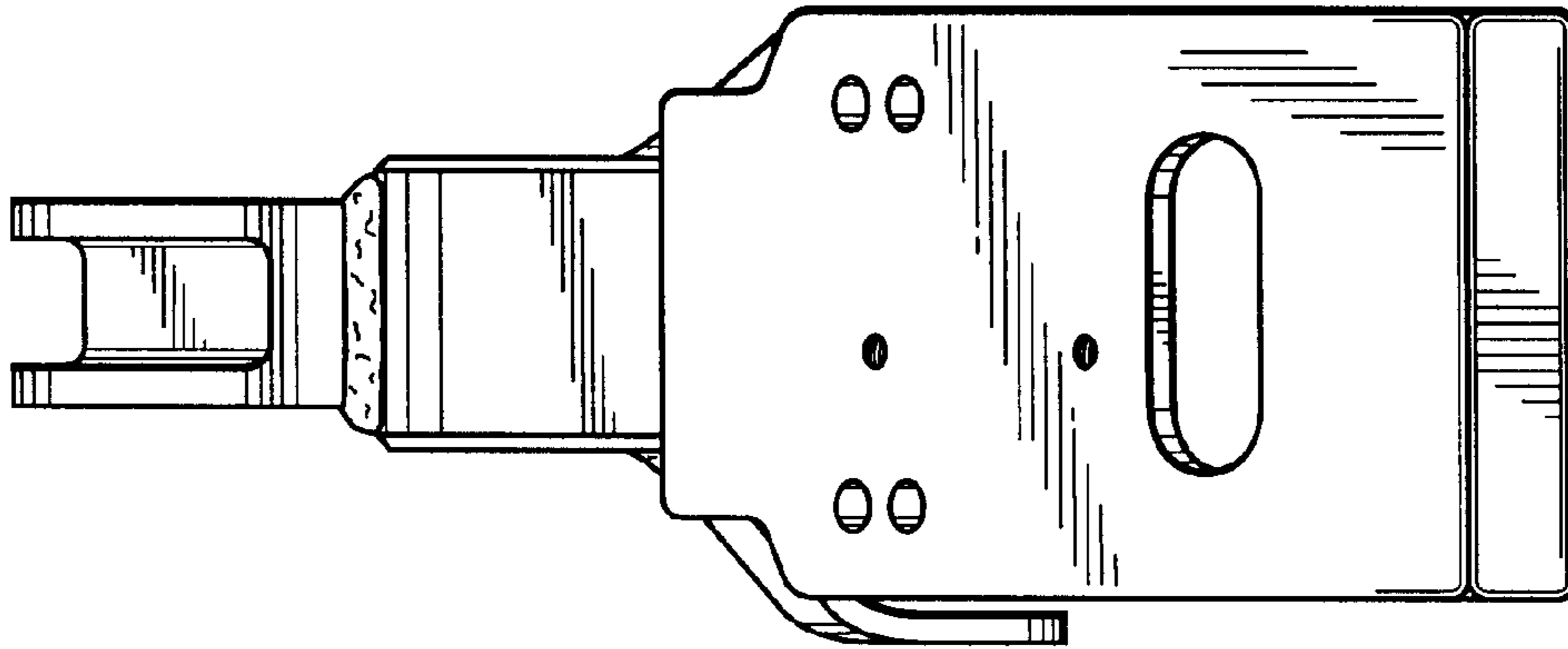


FIG. 5

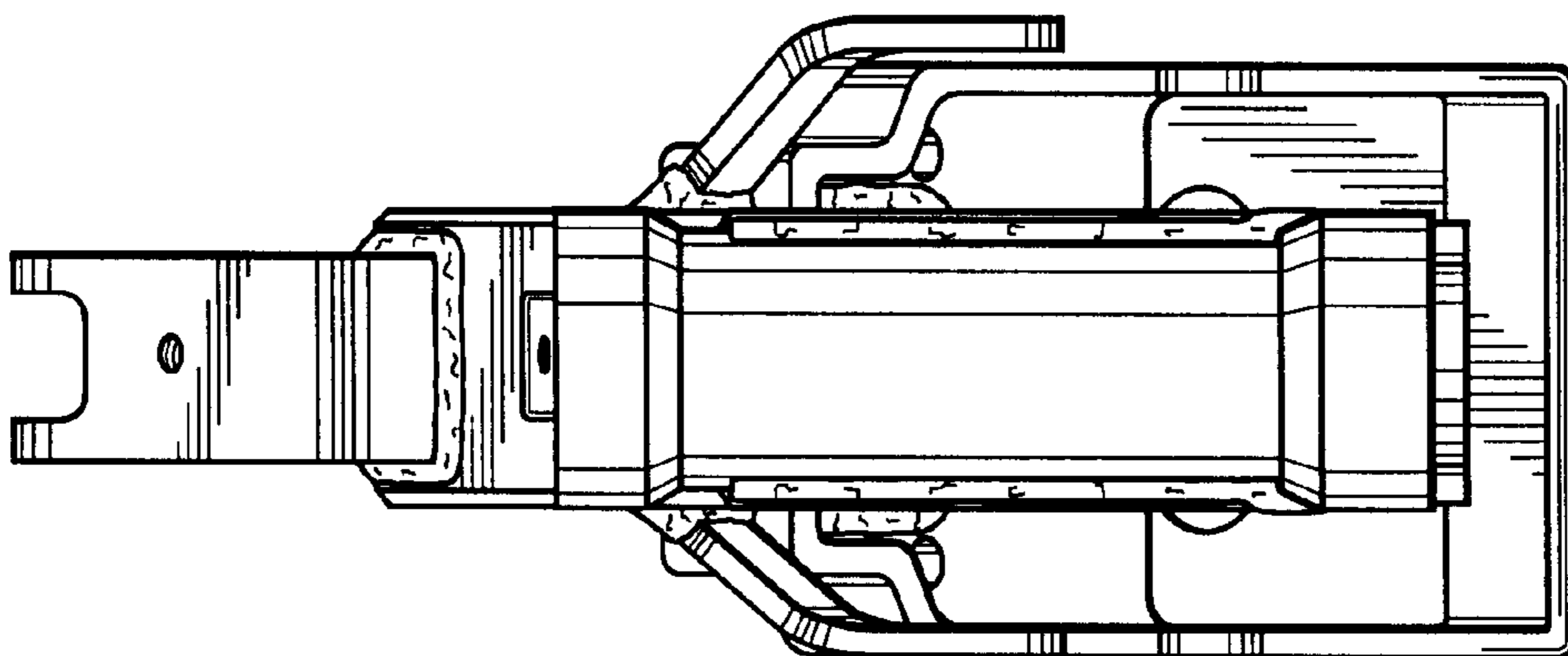


FIG. 3

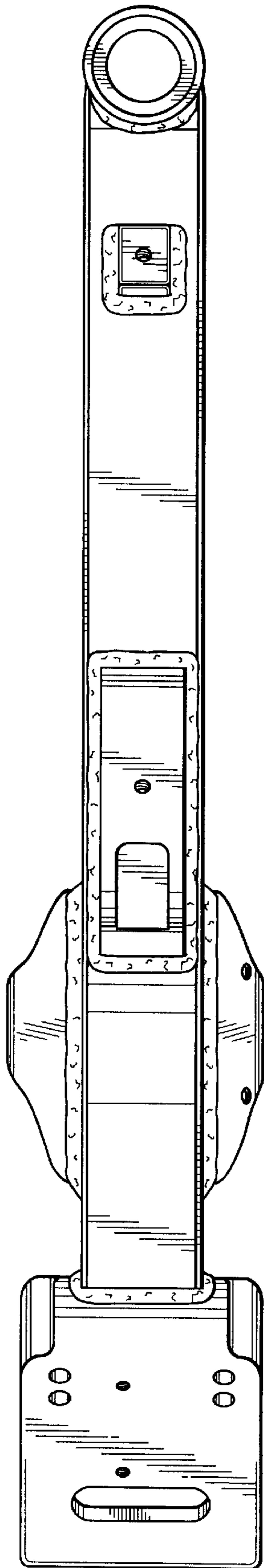


FIG. 4

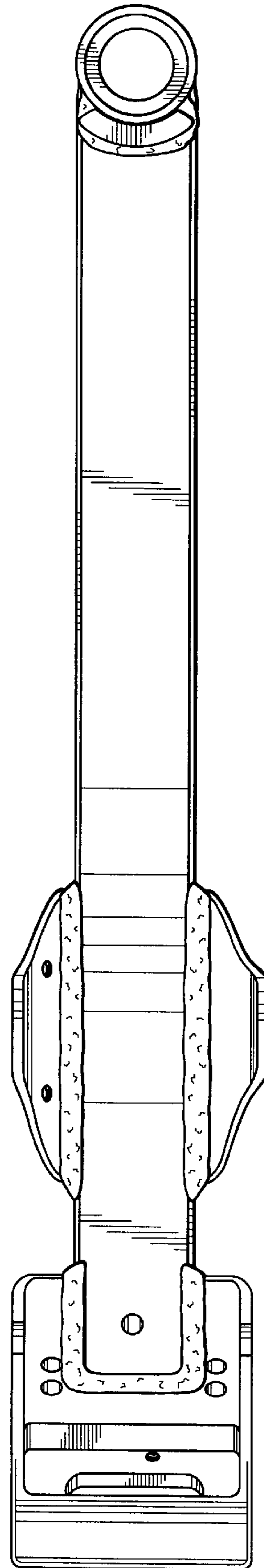


FIG. 6

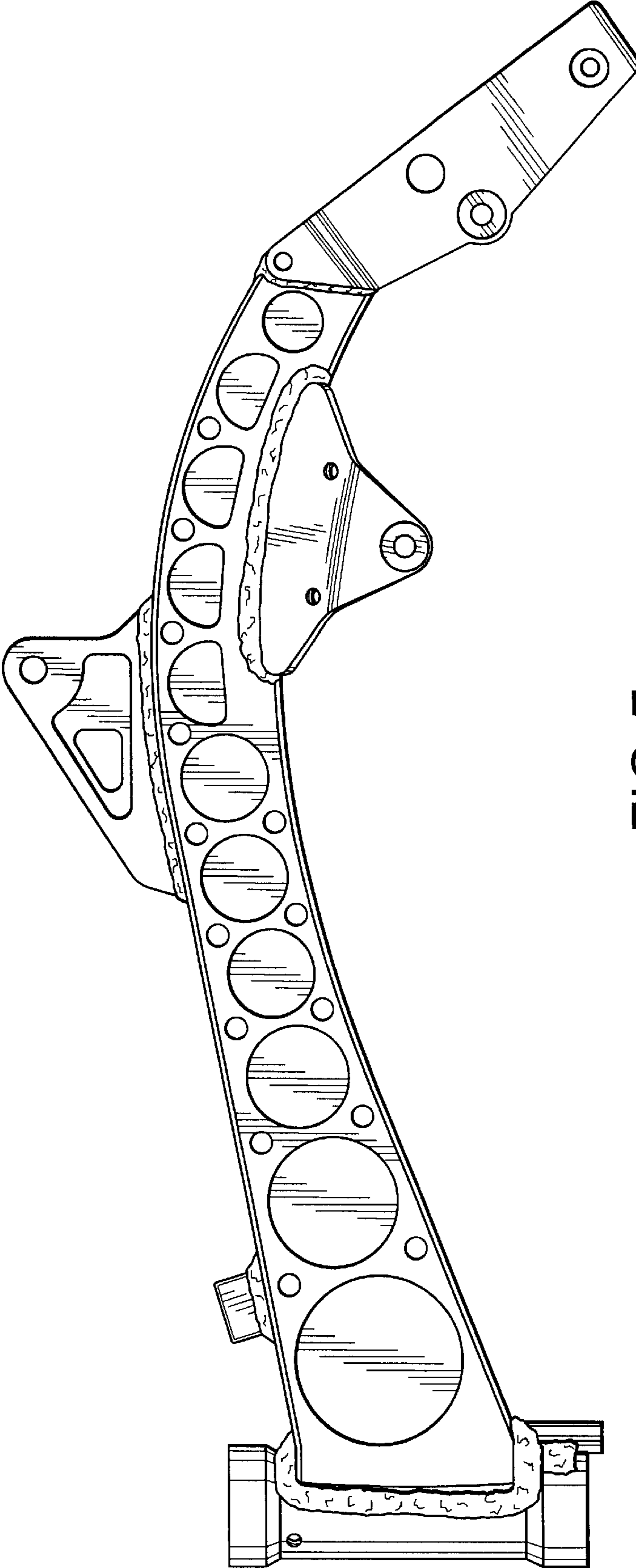


FIG. 7