



US00D538711S

(12) **United States Design Patent**
Sawai et al.

(10) **Patent No.:** **US D538,711 S**
(45) **Date of Patent:** **** Mar. 20, 2007**

(54) **AUTOMOBILE**

(75) Inventors: **Daisuke Sawai**, Wako (JP); **Naoya Ishikura**, Wako (JP); **Deane James**, Wako (FR)

(73) Assignee: **Honda Motor Co., Ltd.**, Tokyo (JP)

(**) Term: **14 Years**

(21) Appl. No.: **29/251,712**

(22) Filed: **Jan. 12, 2006**

(30) **Foreign Application Priority Data**

Jul. 22, 2005 (JP) 2005-021277

(51) **LOC (8) Cl.** **12-08**

(52) **U.S. Cl.** **D12/91**

(58) **Field of Classification Search** D12/90-92,
D12/86, 88; D21/424, 433; 296/181.1, 181.5
See application file for complete search history.

(56) **References Cited**

U.S. PATENT DOCUMENTS

D508,436 S * 8/2005 Warkuss et al. D12/91
D514,026 S * 1/2006 Pfeiffer et al. D12/91

D522,917 S * 6/2006 Wagner et al. D12/91
D525,561 S * 7/2006 Schreyer et al. D12/91
D526,935 S * 8/2006 Wagner et al. D12/91
D528,470 S * 9/2006 Fukui et al. D12/91

* cited by examiner

Primary Examiner—Melody N. Brown

(74) *Attorney, Agent, or Firm*—Westerman, Hattori, Daniels & Adrian, LLP.

(57) **CLAIM**

The ornamental design for, an automobile, as shown and described.

DESCRIPTION

FIG. 1 is a side elevation view of an automobile showing our new design,

FIG. 2 is a top plan view thereof;

FIG. 3 is a rear elevation view thereof;

FIG. 4 is a front elevation view thereof;

FIG. 5 is a front and side perspective view thereof; and,

FIG. 6 is a rear and side perspective view thereof.

The broken lines are for illustrative purposes only and form no part of the claimed design.

1 Claim, 6 Drawing Sheets

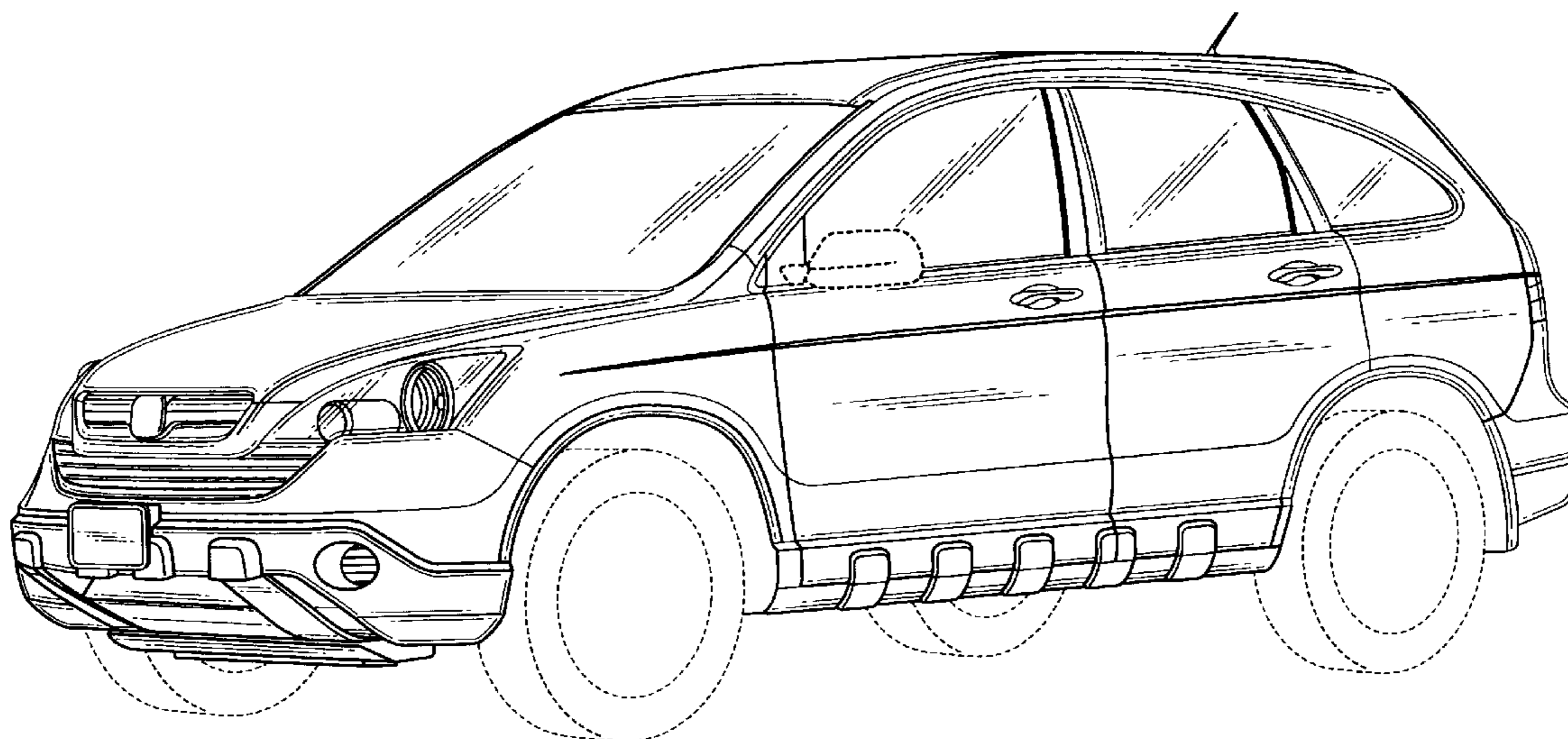


Fig. 1

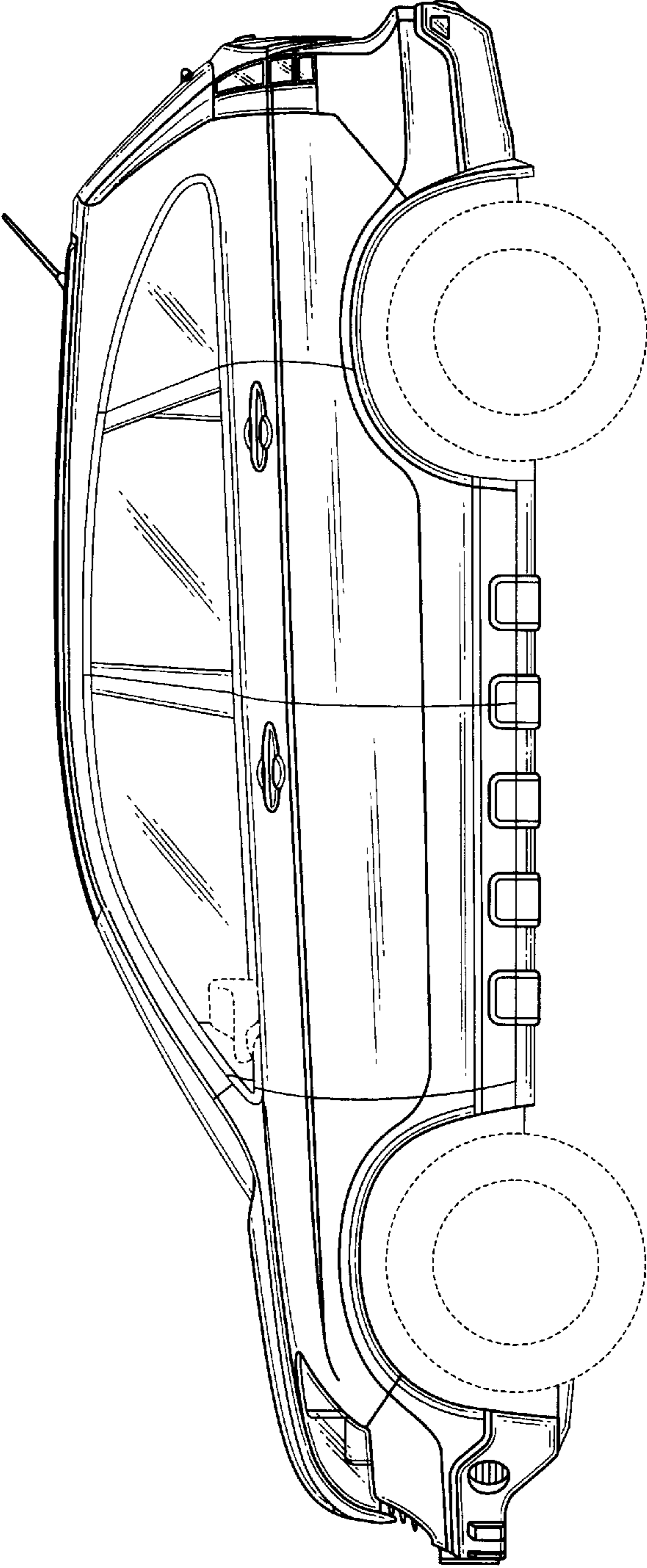


Fig. 2

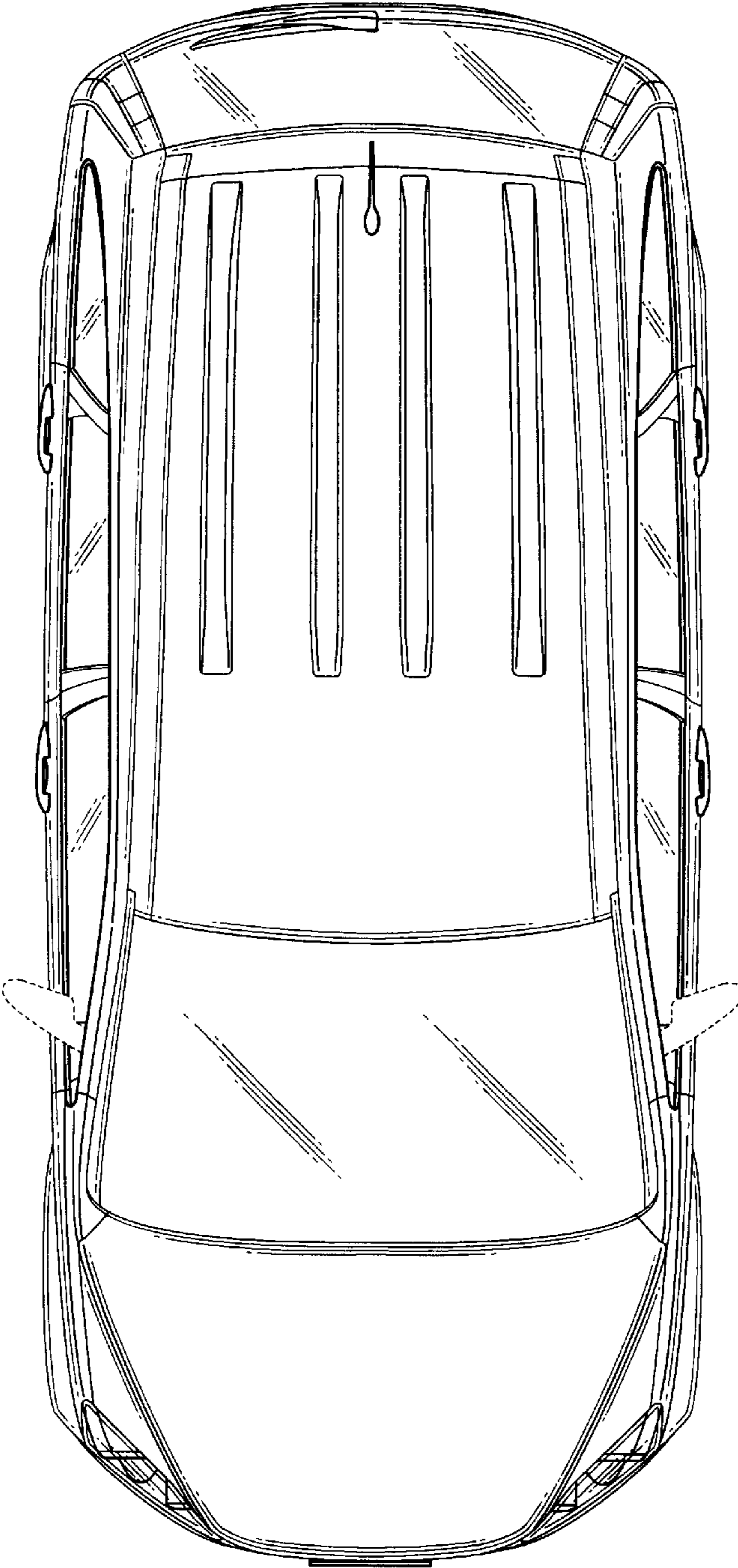


Fig. 3

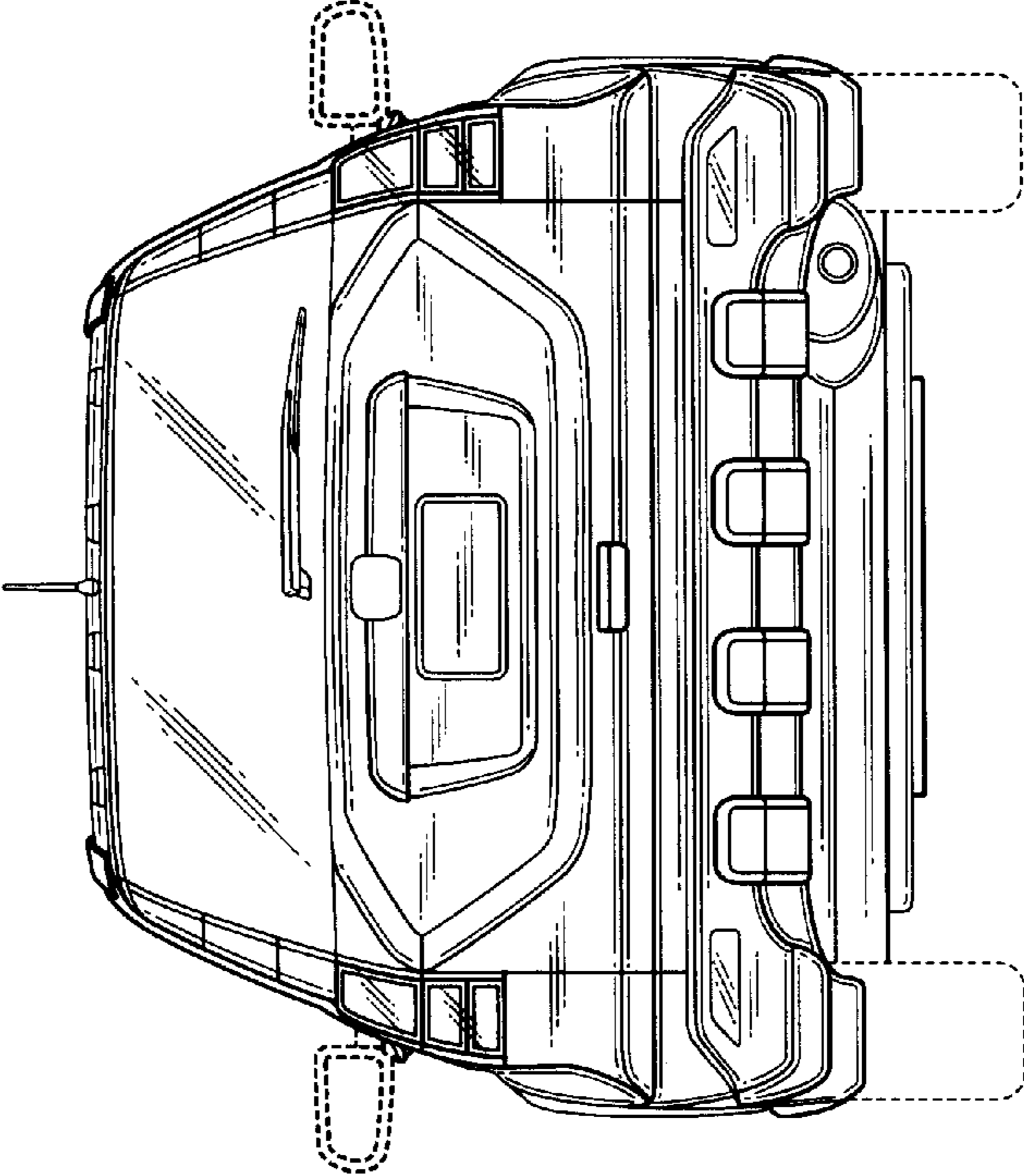


Fig. 4

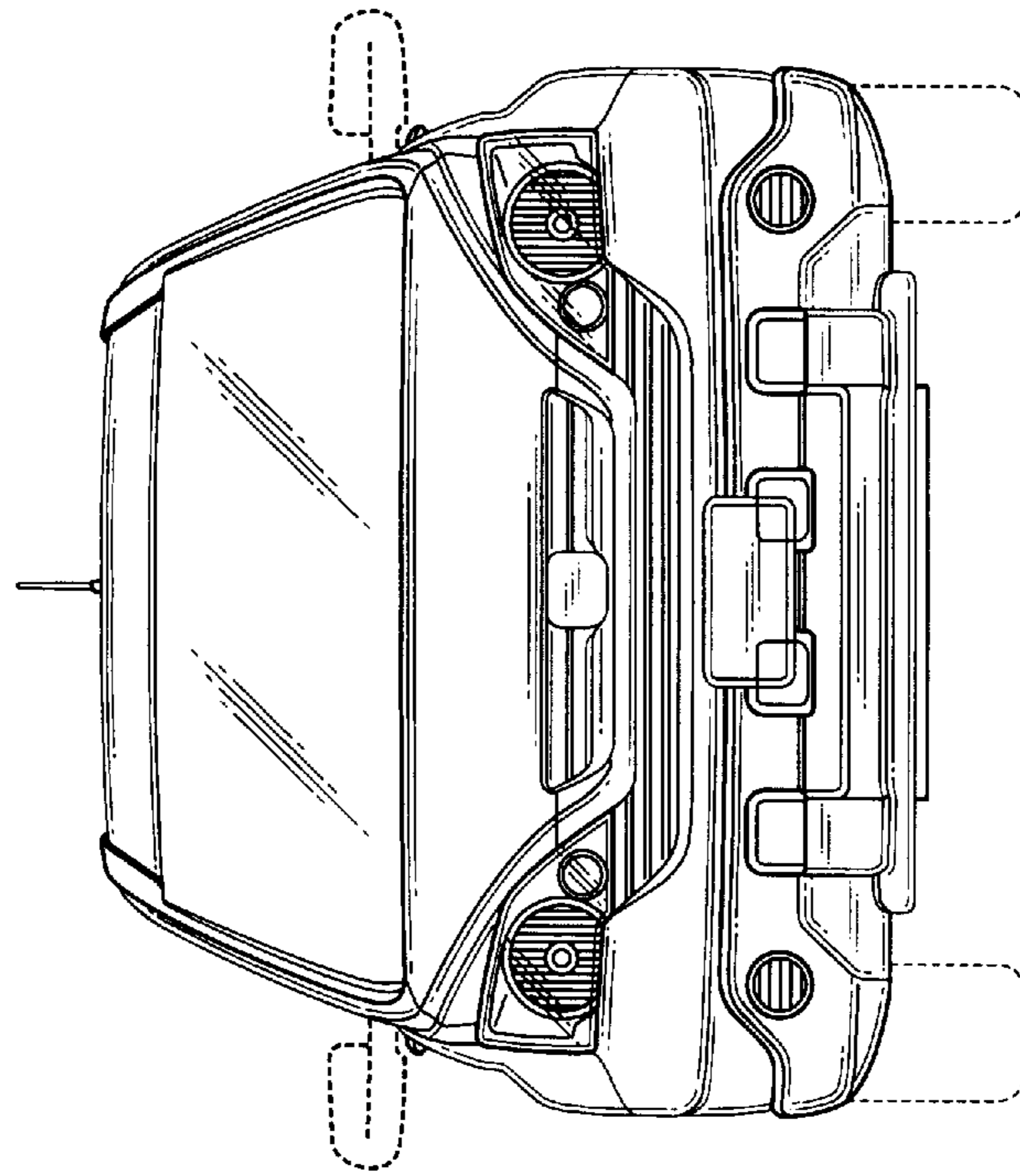


Fig. 5

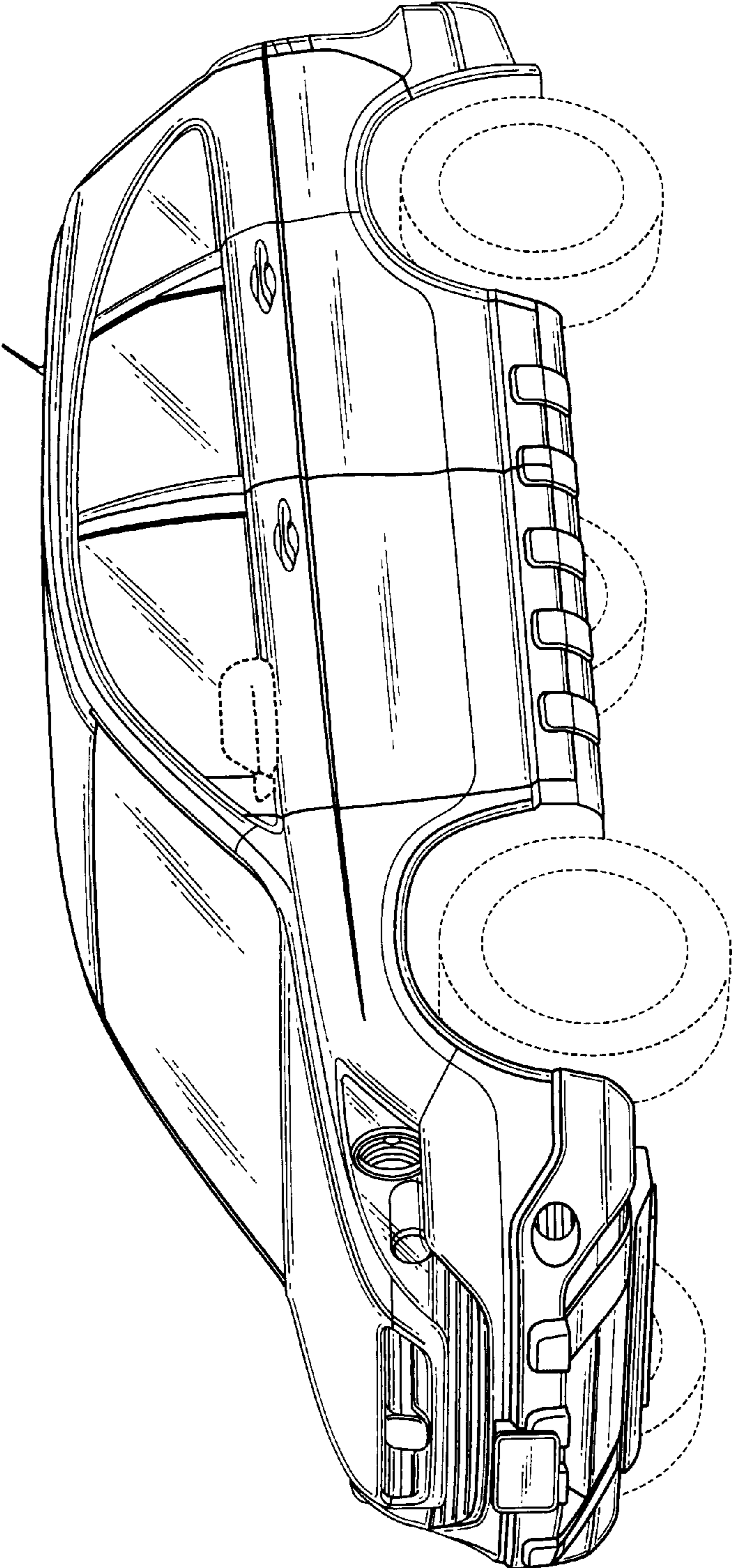
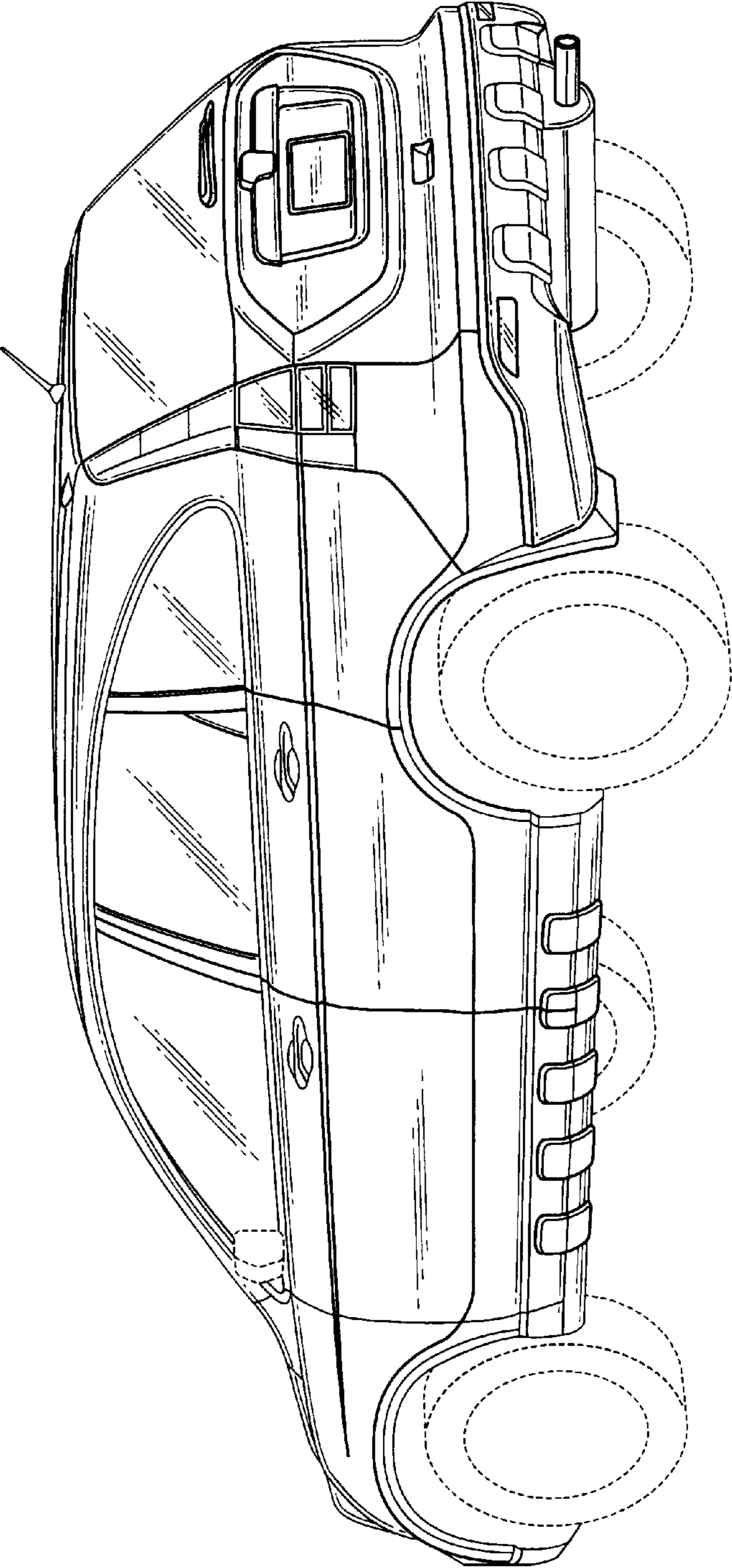


Fig. 6



UNITED STATES PATENT AND TRADEMARK OFFICE
CERTIFICATE OF CORRECTION

PATENT NO. : Des. 538,711 S
APPLICATION NO. : 29/251712
DATED : March 20, 2007
INVENTOR(S) : Daisuke Sawai et al.

Page 1 of 1

It is certified that error appears in the above-identified patent and that said Letters Patent is hereby corrected as shown below:

Title Page:

Item (75) **Inventors**, please correct the third inventor's country information, which should read --(JP)--.

Signed and Sealed this

Twenty-first Day of August, 2007

A handwritten signature in black ink on a light gray dotted background. The signature reads "Jon W. Dudas" in a cursive style.

JON W. DUDAS

Director of the United States Patent and Trademark Office