



US00D538698S

(12) **United States Design Patent**  
**Lamprey**

(10) **Patent No.:** **US D538,698 S**

(45) **Date of Patent:** **\*\* Mar. 20, 2007**

(54) **JEWELRY**

(76) **Inventor:** **Donald P. Lamprey**, 5410 US Highway  
N. 17 Lot#37, Brunswick, GA (US)  
31525

(\*\*) **Term:** **14 Years**

(21) **Appl. No.:** **29/247,643**

(22) **Filed:** **Jun. 30, 2006**

(51) **LOC (8) Cl.** ..... **11-01**

(52) **U.S. Cl.** ..... **D11/30**

(58) **Field of Classification Search** ..... D11/3,  
D11/26-39; 63/15, 15.1-15.4, 15.45, 15.5,  
63/15.6, 15.65, 15.7-15.8, 26-27

See application file for complete search history.

(56) **References Cited**

**U.S. PATENT DOCUMENTS**

1,032,257 A	7/1912	Waldrow	
D70,601 S	* 7/1926	Dinhofer	..... D11/30
D109,309 S	* 4/1938	Silverman	..... D11/30
D109,548 S	* 5/1938	Cunow	..... D11/30
D154,759 S	* 8/1949	Fitzgerald	..... D11/32
2,650,445 A	9/1953	Randall et al.	

D205,901 S	10/1966	Mothershead	
3,415,079 A	12/1968	Tomchin	
D261,741 S	* 11/1981	Sciotti	..... D11/30
D281,959 S	12/1985	Balbuena	
D330,212 S	* 10/1992	Merritt	..... D11/30
5,291,755 A	3/1994	Grant	
2005/0081560 A1	4/2005	McCarrick	

\* cited by examiner

*Primary Examiner*—Ian Simmons

*Assistant Examiner*—Melanie Levy

(74) *Attorney, Agent, or Firm*—Starkweather & Associates;  
Michael W. Starkweather; Jason P. Webb

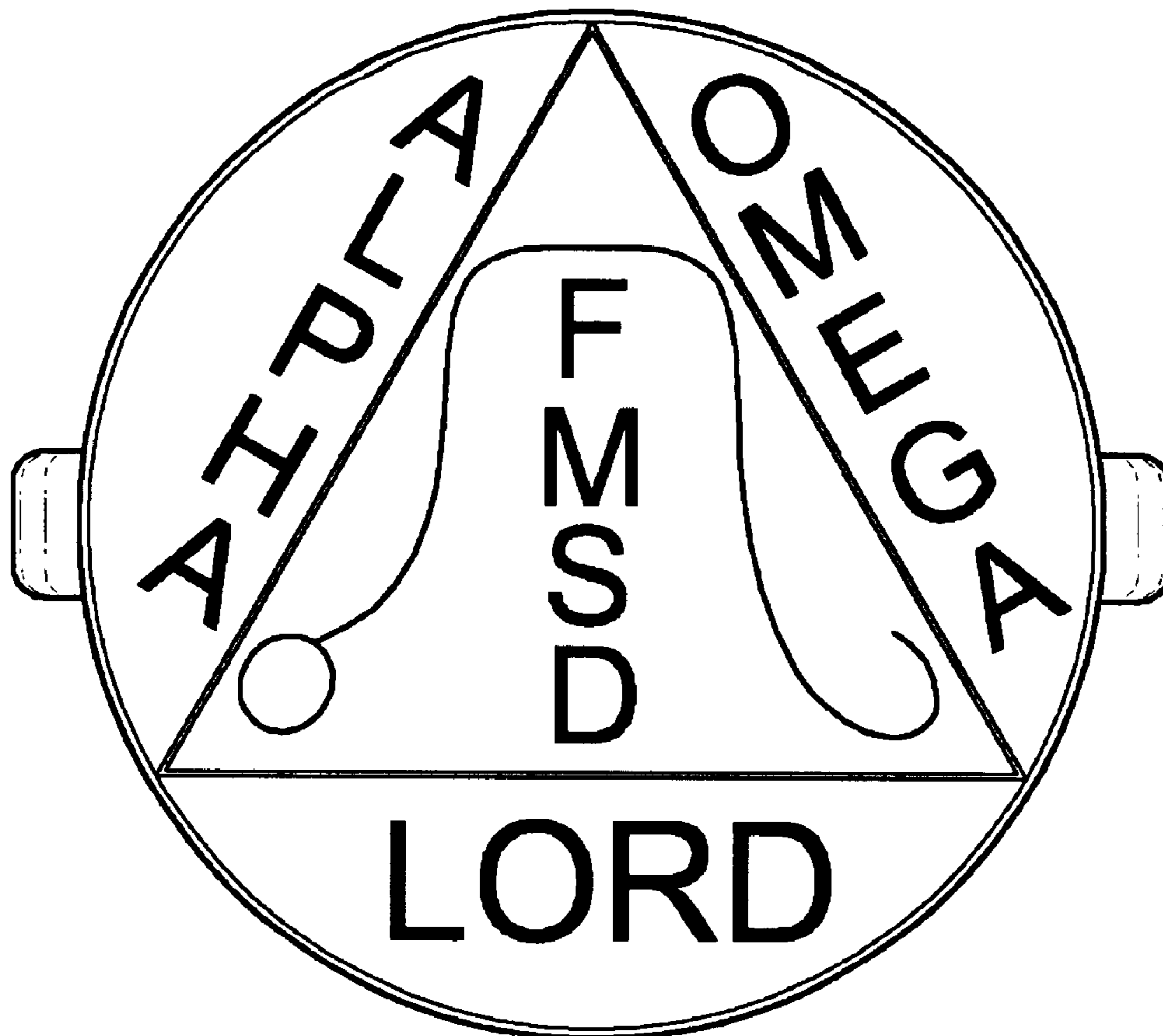
(57) **CLAIM**

The ornamental design for jewelry, as shown and described.

**DESCRIPTION**

FIG. 1 is a top plan view of jewelry showing my new design;  
FIG. 2 is a right side view thereof as used, the left side being  
a mirror-image;  
FIG. 3 is a bottom plan view thereof; and,  
FIG. 4 is a front elevational view thereof, the rear side being  
a mirror image.

**1 Claim, 2 Drawing Sheets**



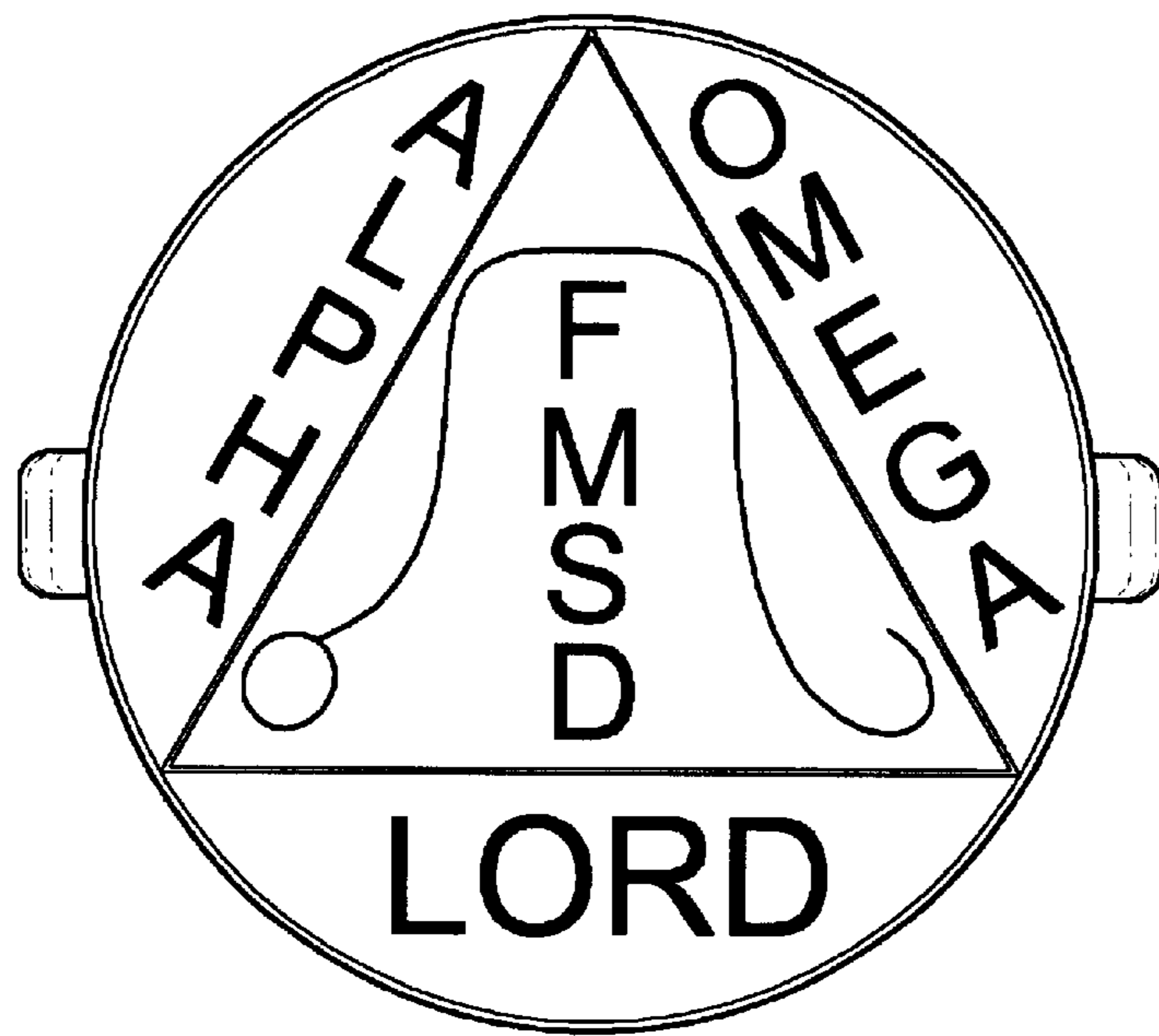


Fig. 1

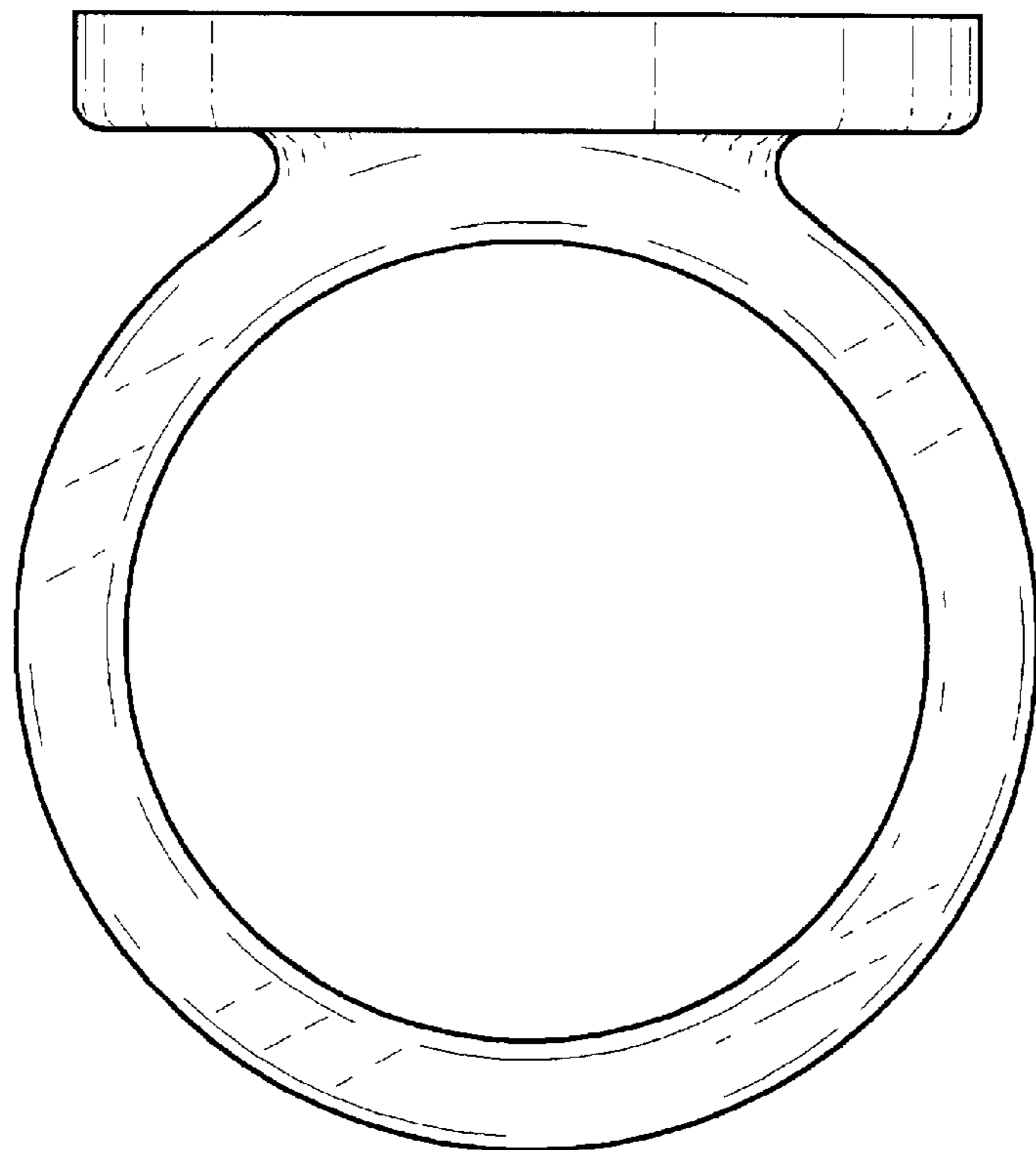


Fig. 2

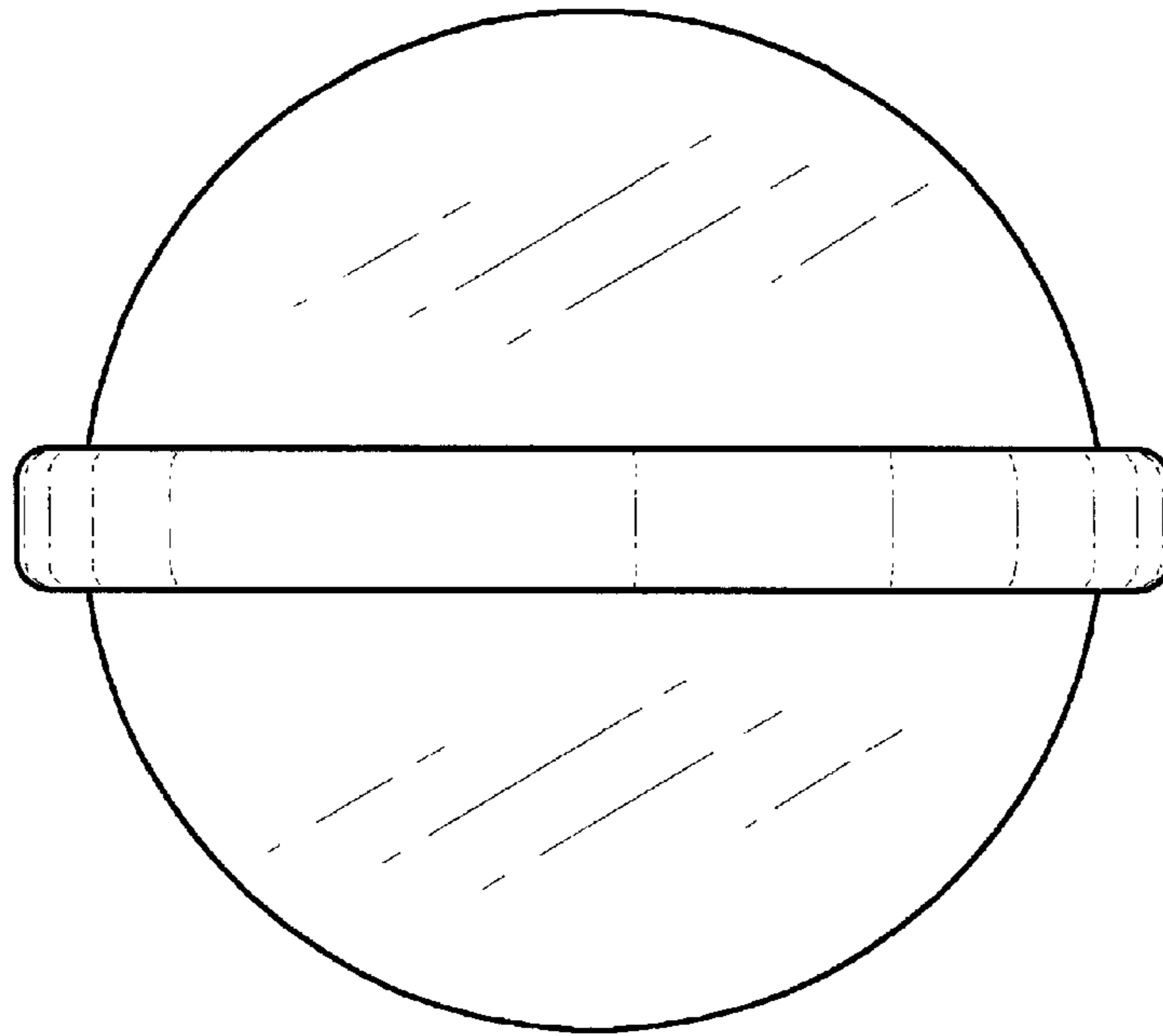


Fig. 3

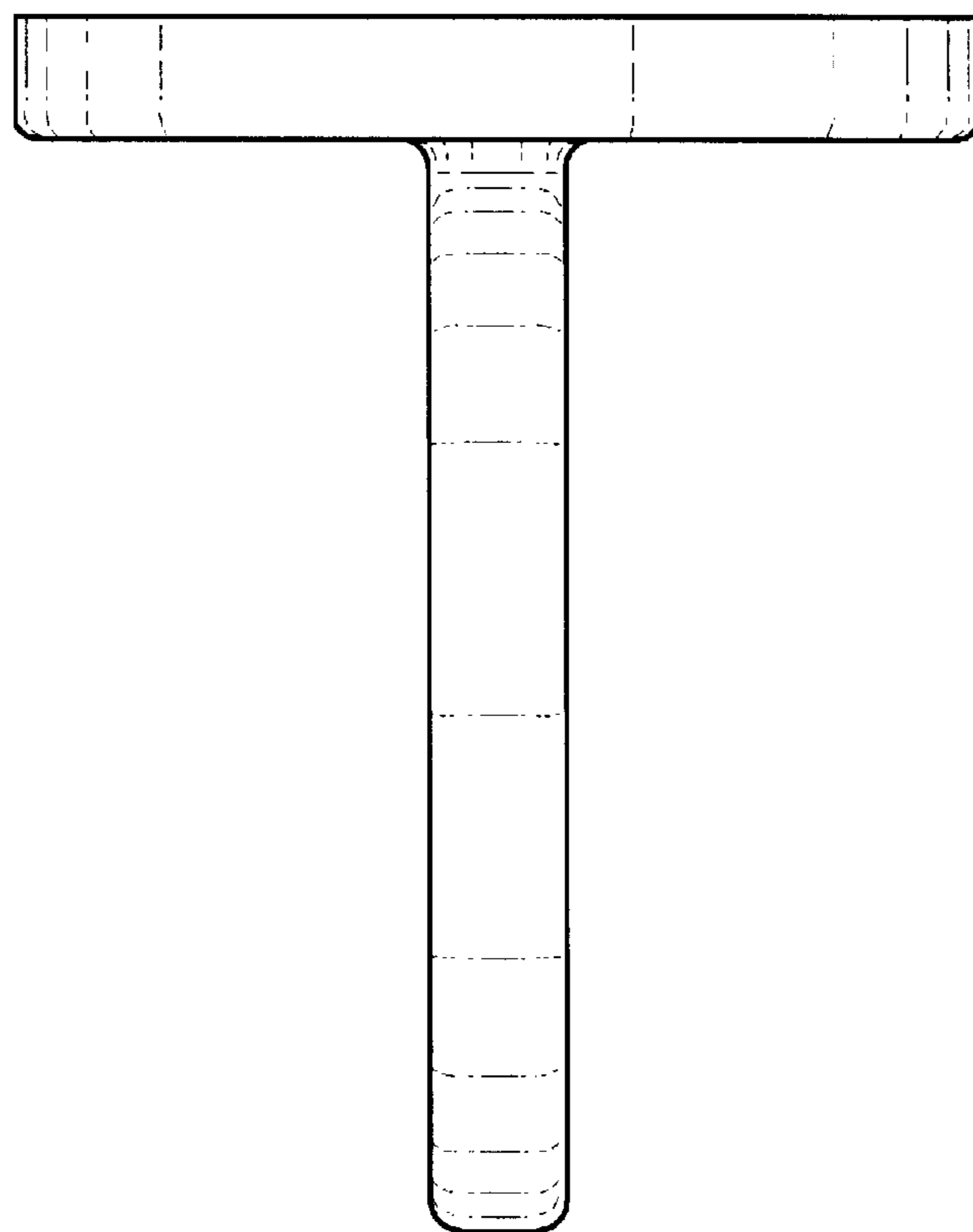


Fig. 4