



US00D538696S

(12) **United States Design Patent**  
**Azrielant**

(10) **Patent No.:** **US D538,696 S**  
(45) **Date of Patent:** **\*\* Mar. 20, 2007**

(54) **RING WITH STONES**

(75) Inventor: **Ofer Azrielant**, New York, NY (US)

(73) Assignee: **Andin International Inc.**, New York, NY (US)

(\*\*) Term: **14 Years**

(21) Appl. No.: **29/264,930**

(22) Filed: **Aug. 22, 2006**

(51) **LOC (8) Cl.** ..... **01-01**

(52) **U.S. Cl.** ..... **D11/28; D11/34**

(58) **Field of Classification Search** ..... D11/3,  
D11/26-39; 63/15, 15.1-15.4, 15.45, 15.5,  
63/15.6, 15.65, 15.7-15.8, 26-27  
See application file for complete search history.

(56) **References Cited**

**U.S. PATENT DOCUMENTS**

- D154,017 S \* 6/1949 Barbieri ..... D11/27
- D254,537 S \* 3/1980 Abelson ..... D11/34
- D257,018 S \* 9/1980 Barr ..... D11/27

- D262,528 S \* 1/1982 Carbino ..... D11/27
- D291,664 S \* 9/1987 Kelman ..... D11/27
- 4,841,746 A \* 6/1989 Chen ..... 63/15
- 5,203,183 A \* 4/1993 Salerno ..... 63/12

\* cited by examiner

*Primary Examiner*—Ian Simmons

*Assistant Examiner*—Melanie Levy

(74) *Attorney, Agent, or Firm*—Gottlieb, Rackman & Reisman, P.C.

(57) **CLAIM**

The ornamental design for a ring with stones, as shown and described.

**DESCRIPTION**

FIG. 1 is a perspective view of the ring with stones showing my new design, the ring loop shown in dotted lines for illustrative purposes only and form no part of the claimed design;

FIG. 2 is a top plan view thereof;

FIG. 3 is front view thereof; and,

FIG. 4 is a side view thereof.

**1 Claim, 2 Drawing Sheets**

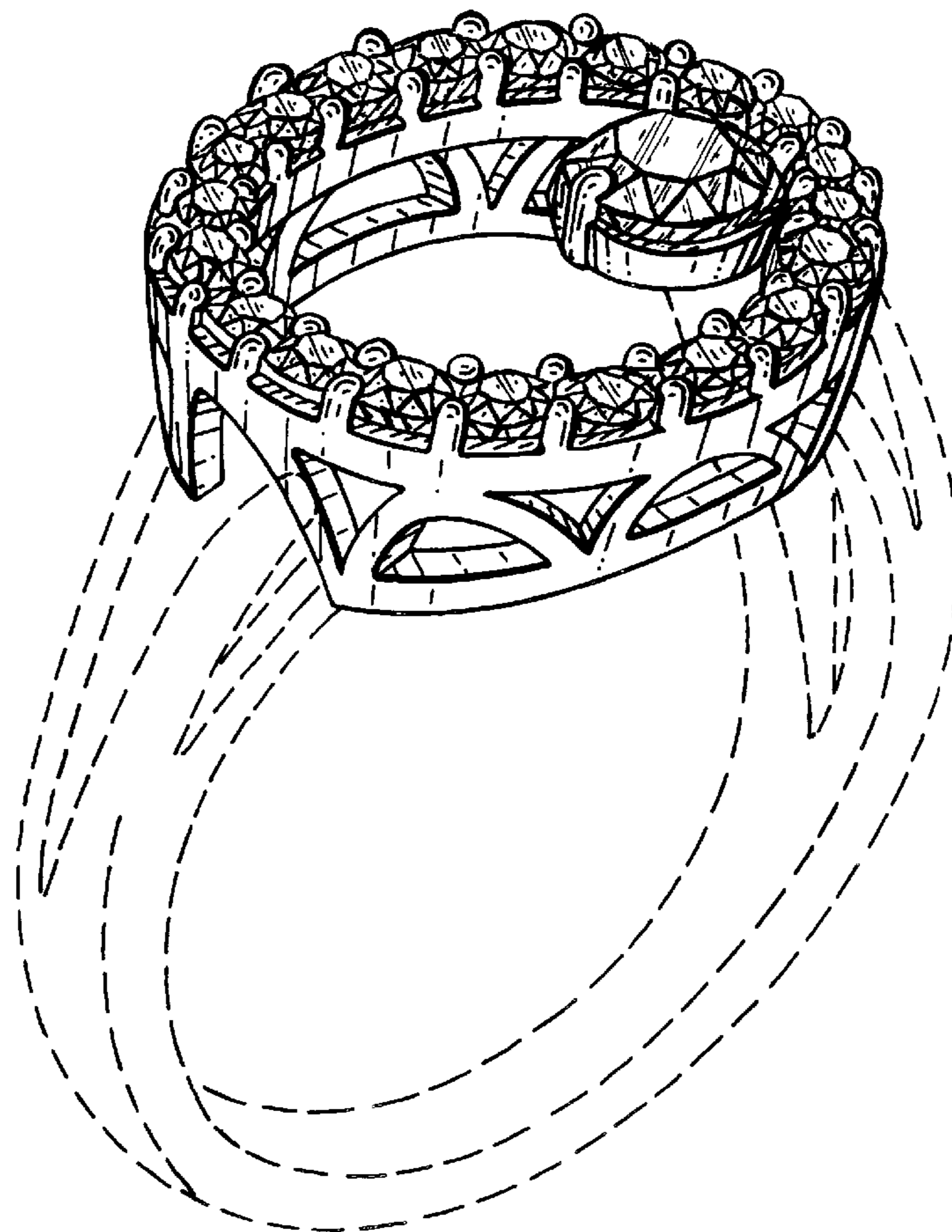


FIG. 1

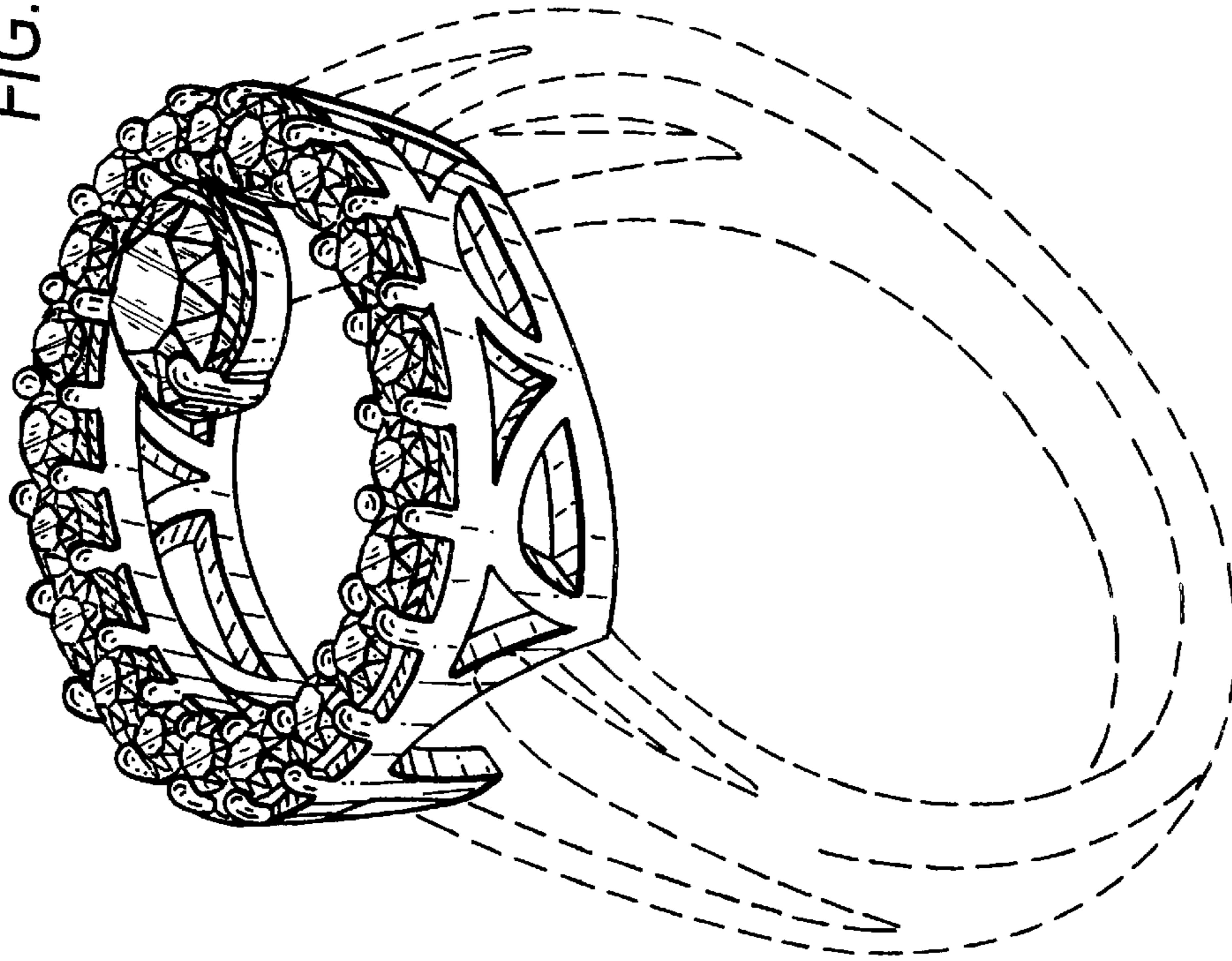


FIG. 2

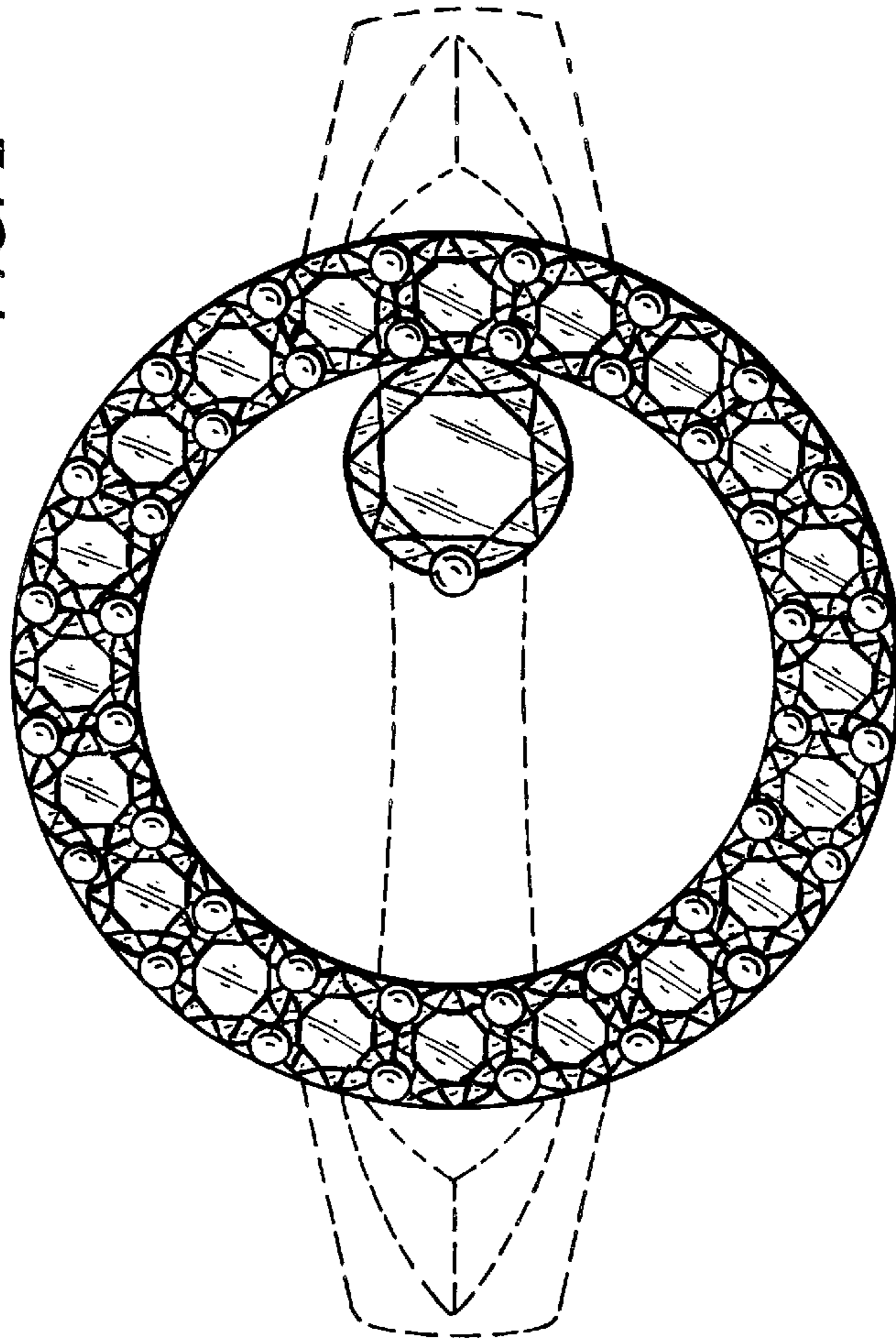


FIG. 3

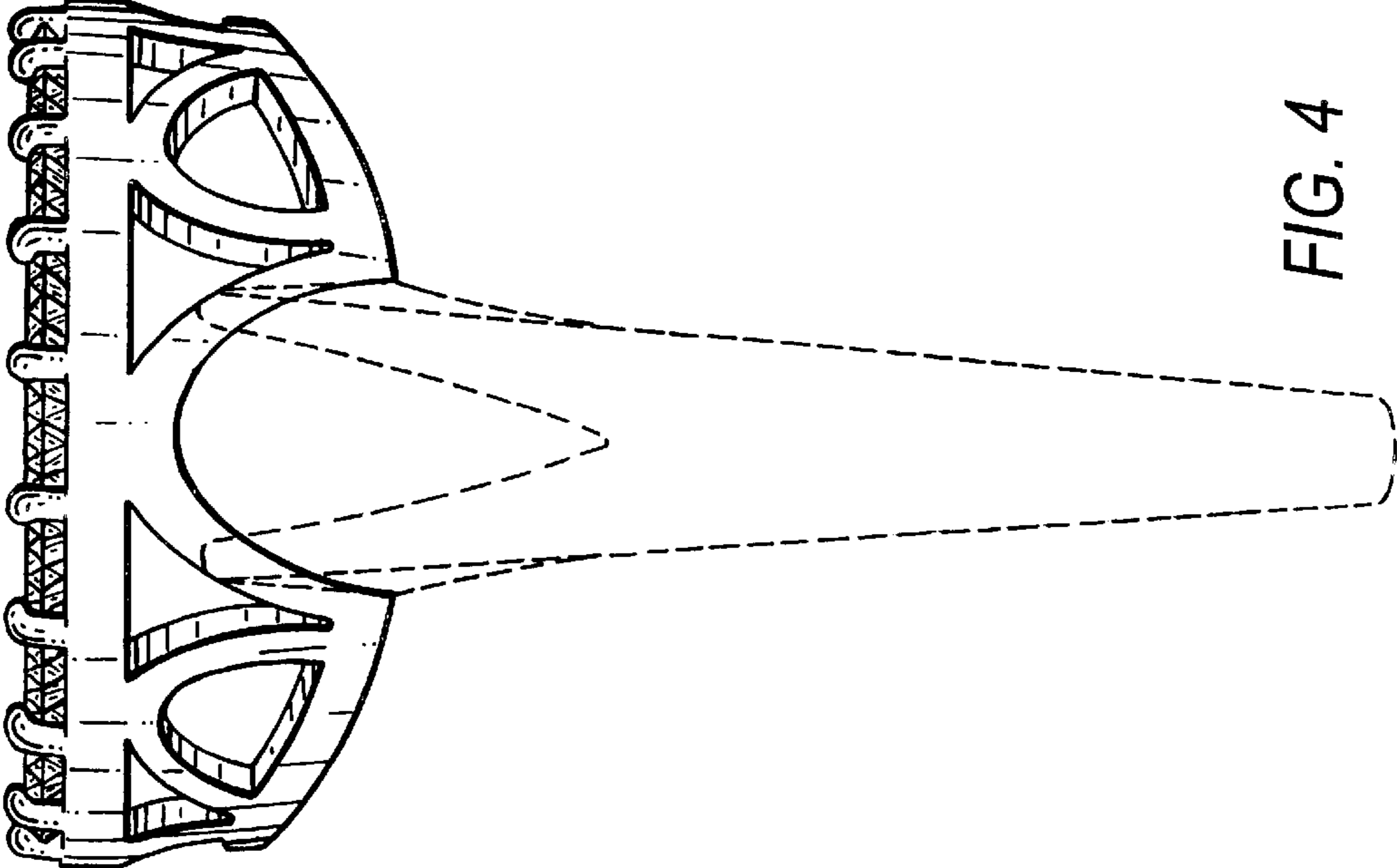
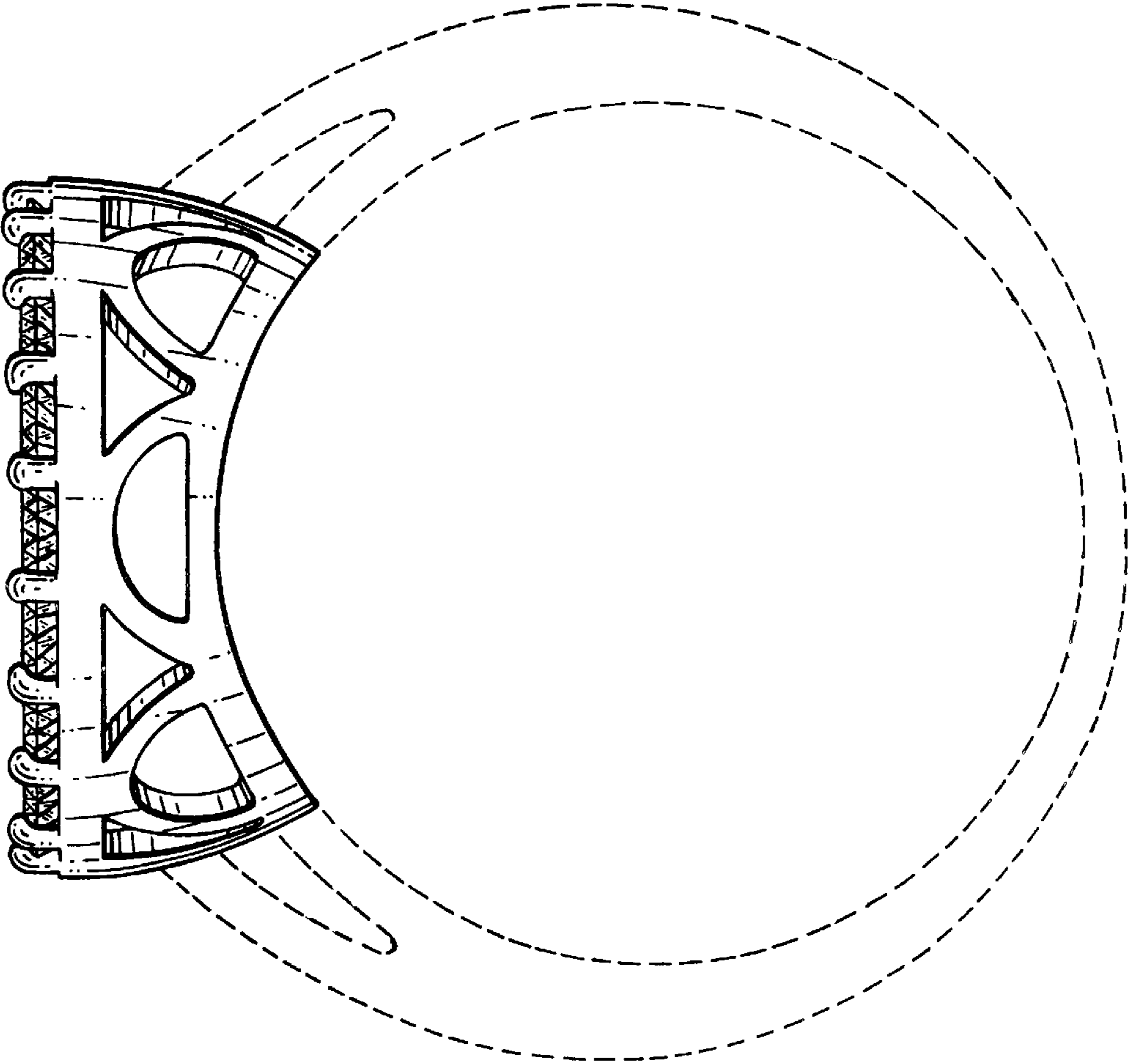


FIG. 4