



US00D538695S

(12) **United States Design Patent**  
**Bulgari**

(10) **Patent No.:** **US D538,695 S**

(45) **Date of Patent:** **\*\* Mar. 20, 2007**

(54) **RING**

D523,769 S \* 6/2006 Arlanda ..... D11/26  
D523,770 S \* 6/2006 Arlanda ..... D11/26

(75) Inventor: **Paolo Bulgari**, Rome (IT)

\* cited by examiner

(73) Assignee: **Bulgari S.p.A.**, Rome (IT)

*Primary Examiner*—Ian Simmons

*Assistant Examiner*—Melanie Levy

(\*\*) Term: **14 Years**

(74) *Attorney, Agent, or Firm*—Reising, Ethington, Barnes, Kisselle, P.C.

(21) Appl. No.: **29/261,224**

(22) Filed: **Jun. 9, 2006**

(57) **CLAIM**

(30) **Foreign Application Priority Data**

I claim the ornamental design for a ring, as shown and described.

Dec. 13, 2005 (EM) ..... 000453659-0006

**DESCRIPTION**

(51) **LOC (8) Cl.** ..... **11-01**

FIG. 1 is a front perspective view of a ring showing my new design;

(52) **U.S. Cl.** ..... **D11/26**

FIG. 2 shows a front view of same;

(58) **Field of Classification Search** ..... D11/3,

FIG. 3 shows a top view of same;

D11/26-39; 63/15, 15.1-15.4, 15.5, 15.6,

FIG. 4 shows a left side view of same;

63/15.65, 15.7-15.8, 26-27

FIG. 5 shows a rear view of same;

See application file for complete search history.

FIG. 6 shows a right side view of same;

FIG. 7 shows a bottom view of same; and,

FIG. 8 shows a rear perspective view of same.

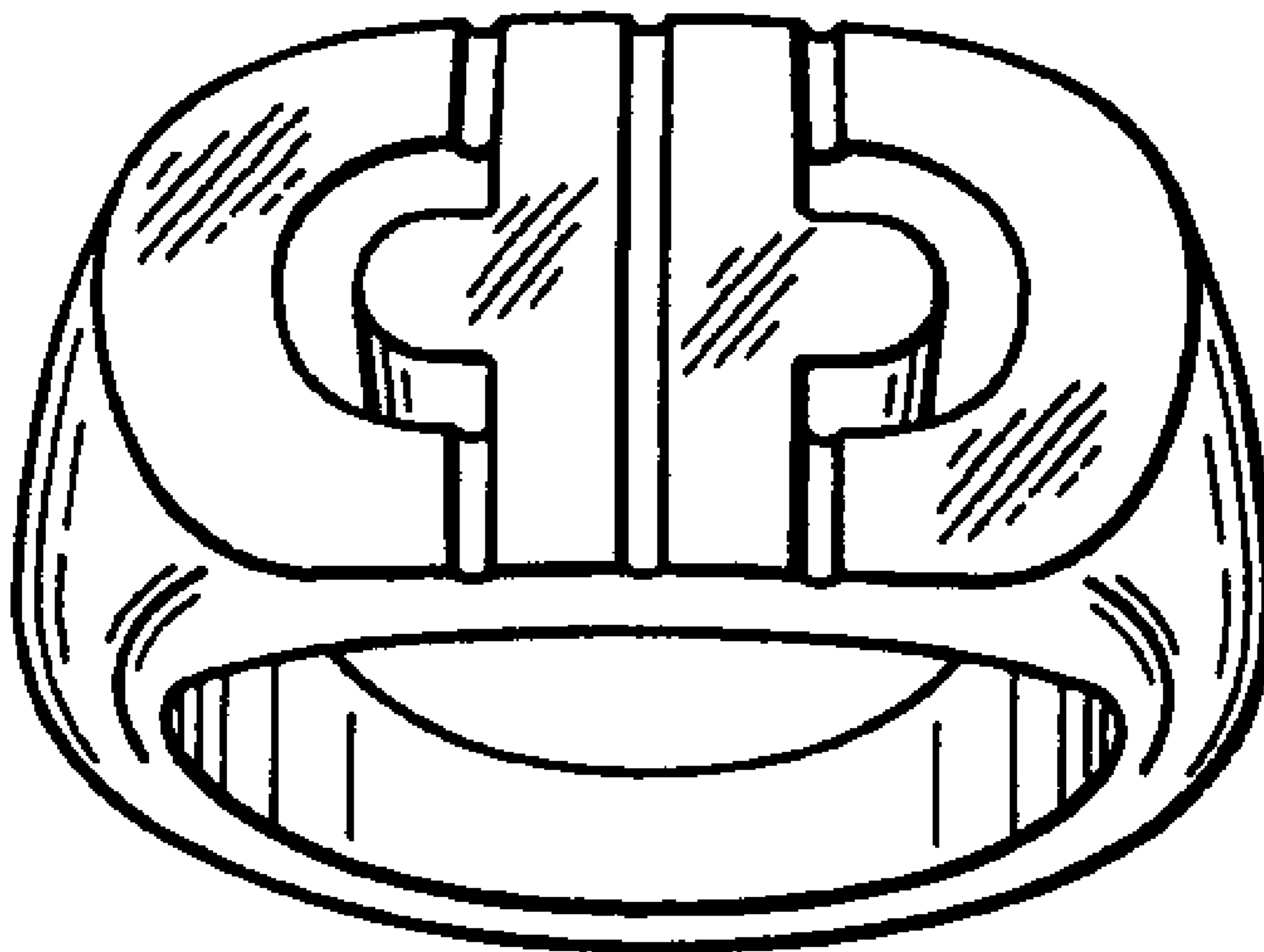
(56) **References Cited**

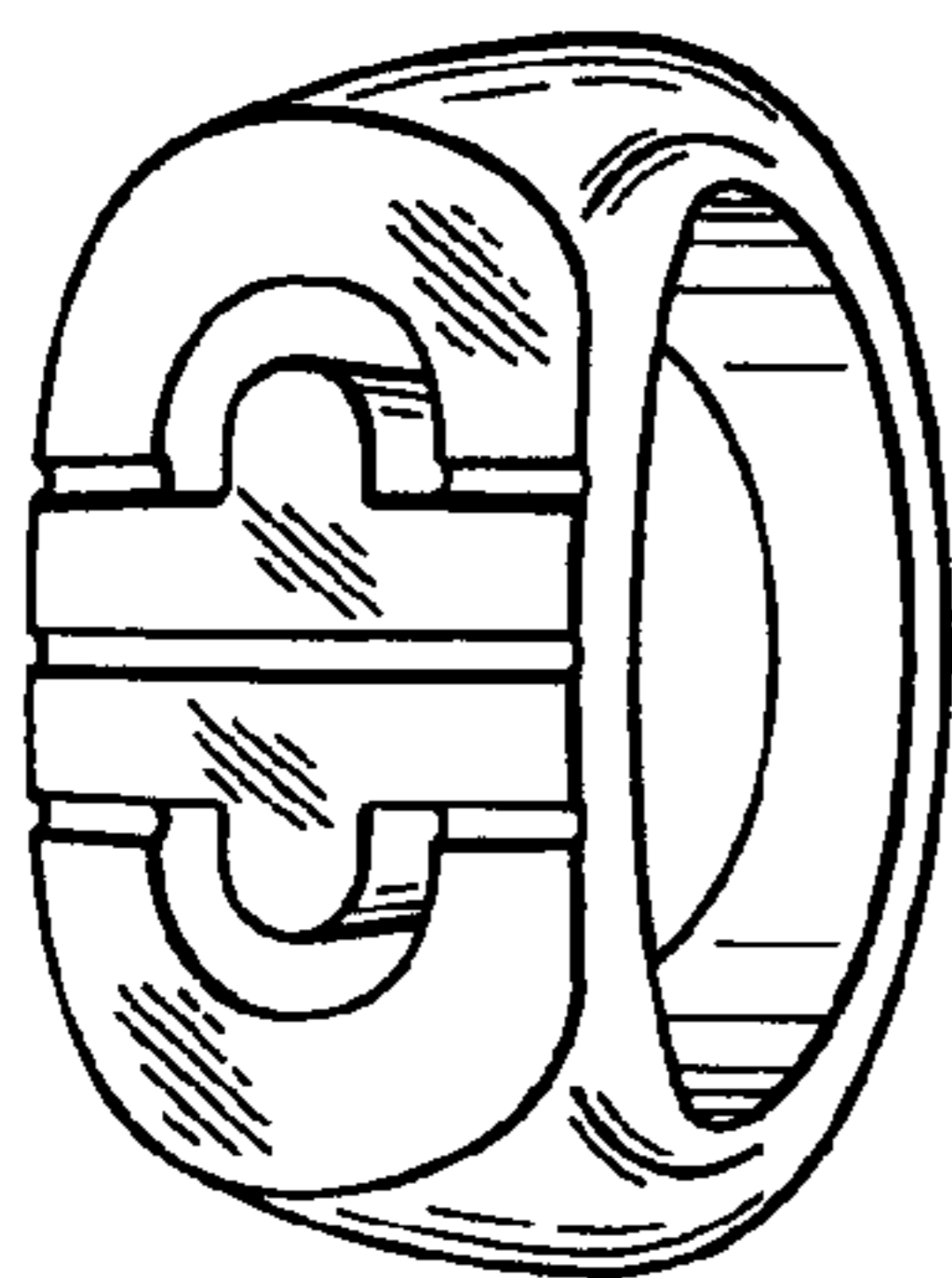
**U.S. PATENT DOCUMENTS**

D437,247 S \* 2/2001 Versace ..... D11/26

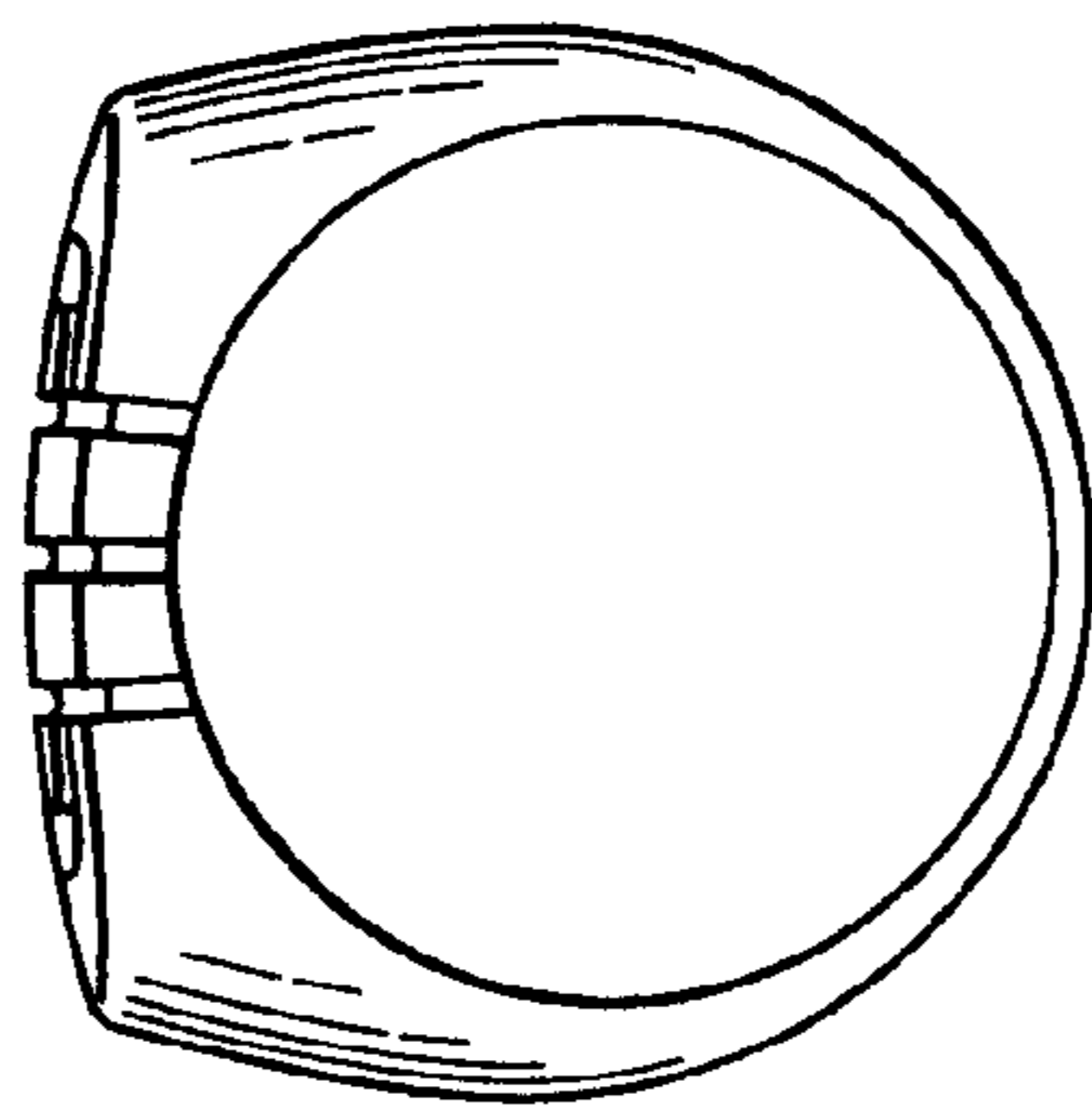
D523,371 S \* 6/2006 Bulgari ..... D11/26

**1 Claim, 1 Drawing Sheet**

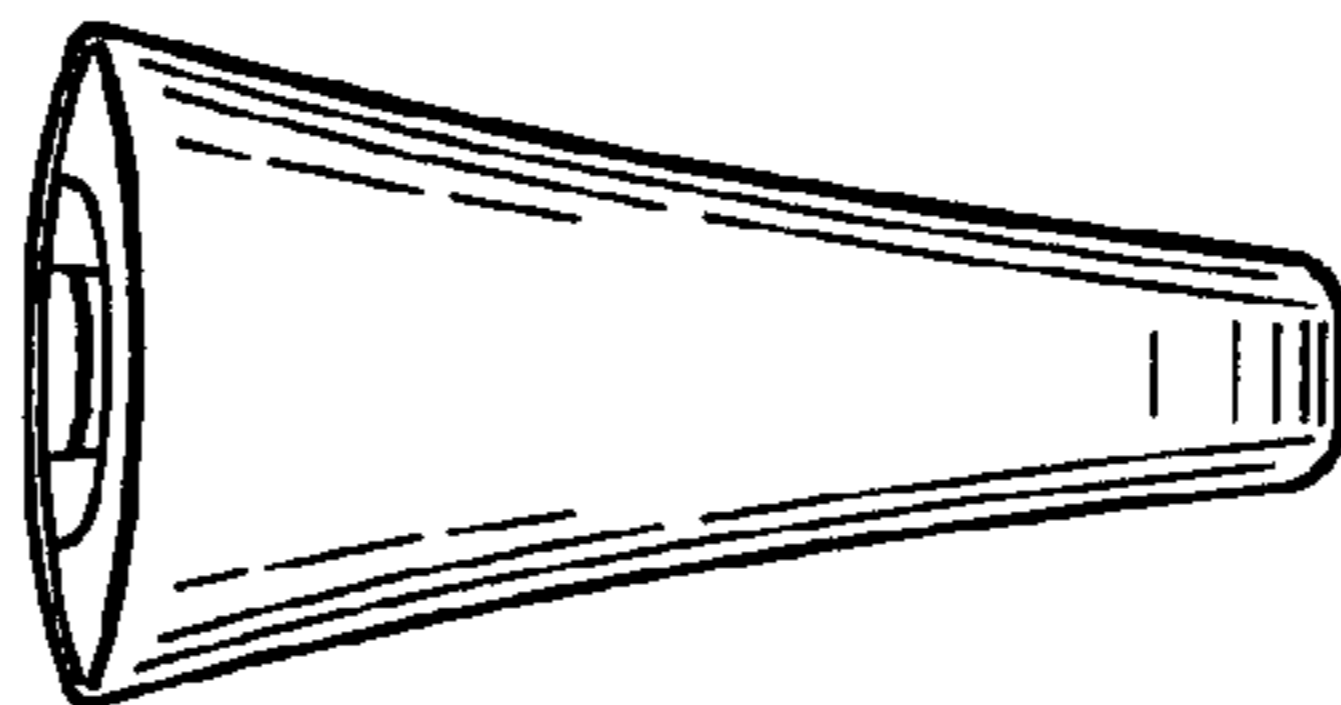




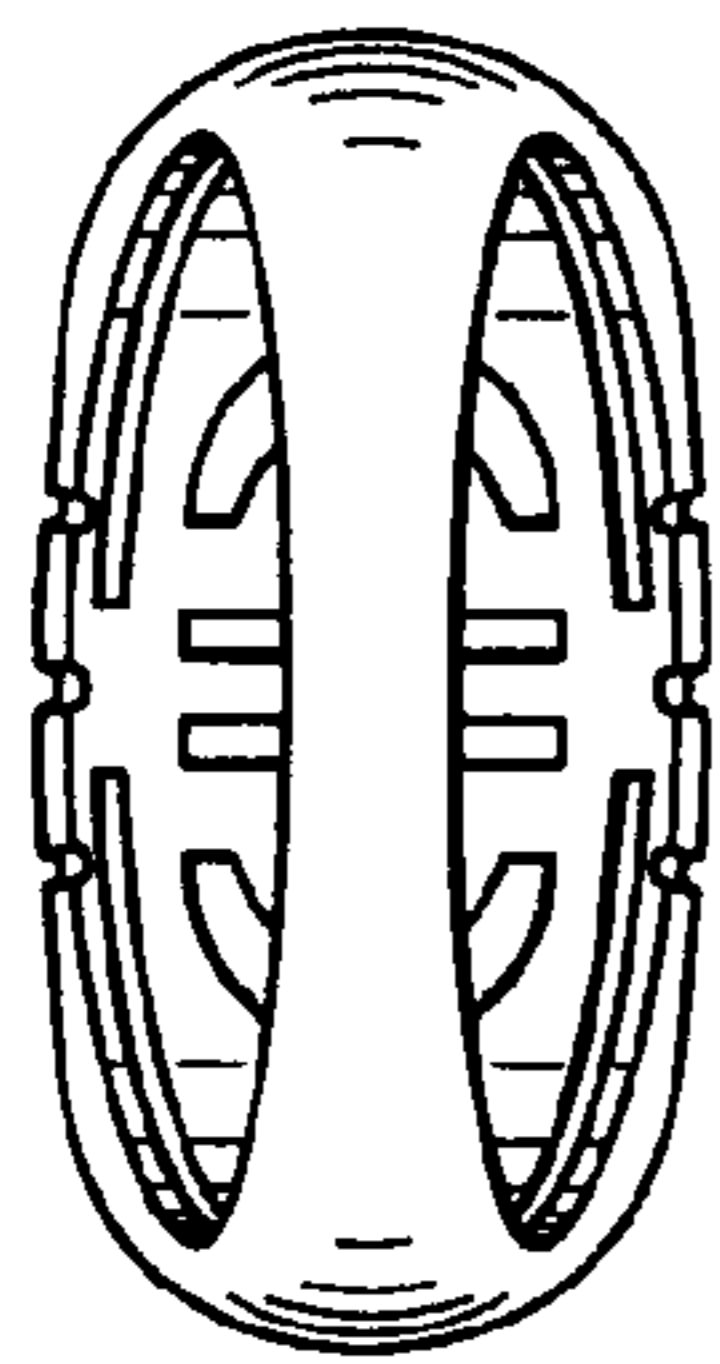
**Fig. 1**



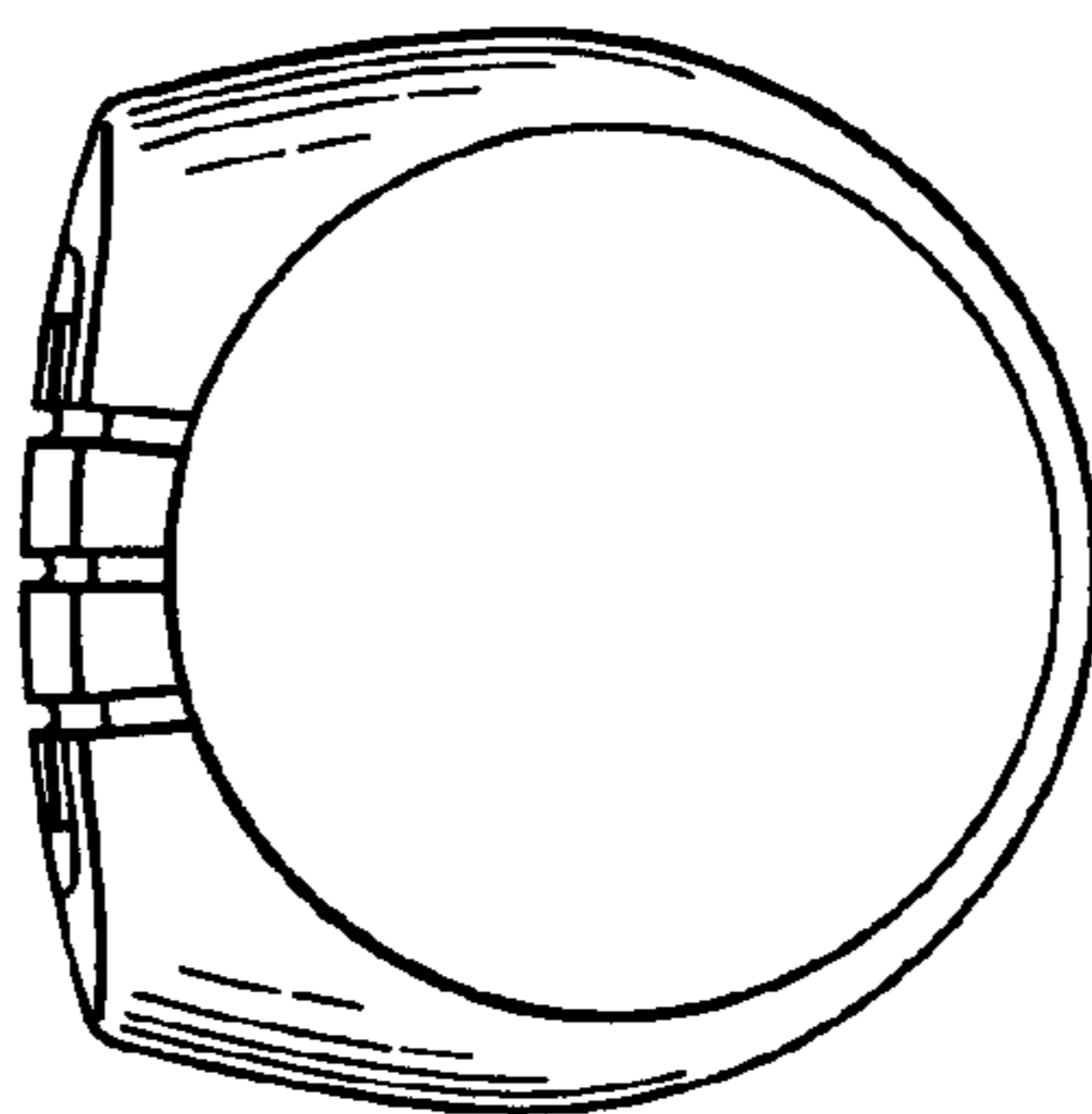
**Fig. 2**



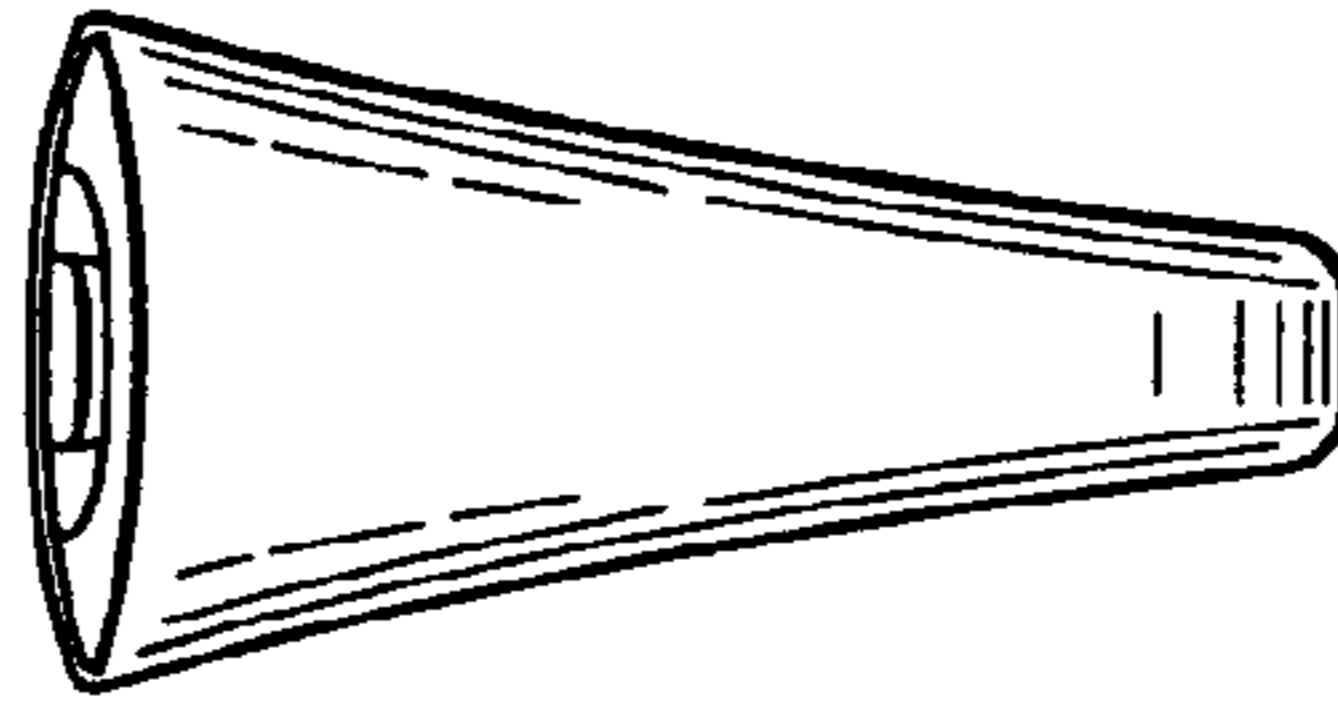
**Fig. 3**



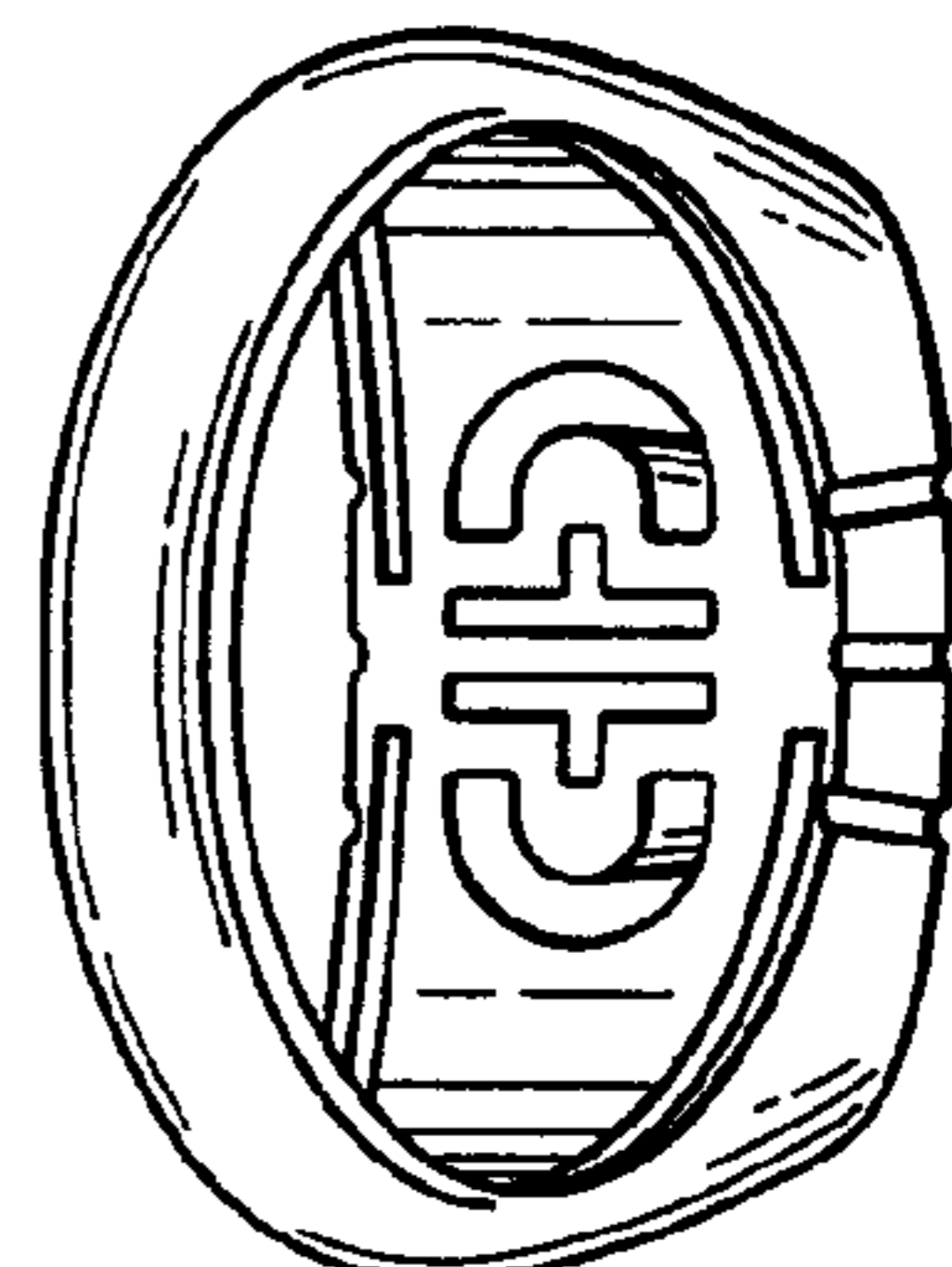
**Fig. 4**



**Fig. 5**



**Fig. 6**



**Fig. 7**