



US00D538694S

(12) **United States Design Patent**
Rake

(10) **Patent No.:** **US D538,694 S**
(45) **Date of Patent:** **** Mar. 20, 2007**

(54) **GAUGE CLUSTER**

(75) Inventor: **Lance Rake**, Lawrence, KS (US)

(73) Assignee: **Schroeder & Tremayne, Inc.**, St. Louis, MO (US)

(**) Term: **14 Years**

(21) Appl. No.: **29/231,585**

(22) Filed: **Jun. 7, 2005**

(51) **LOC (8) Cl.** **10-04**

(52) **U.S. Cl.** **D10/103; D10/102**

(58) **Field of Classification Search** D10/98,
D10/102, 103, 122, 123, 125, 126; D12/192;
180/90; 280/750-752; 296/70; 342/357.06,
342/357.09, 357.1, 357.13; 343/702; 345/156,
345/158, 824; 362/29, 489; 455/12.1, 86,
455/406; 700/17; 701/206-209, 213-214
See application file for complete search history.

(56) **References Cited**

U.S. PATENT DOCUMENTS

- 6,490,776 B1 * 12/2002 Gager et al. 29/458
- D483,309 S * 12/2003 Wyszogrod D12/192
- D494,115 S * 8/2004 McPeck et al. D12/192
- 7,100,959 B1 * 9/2006 Herrera, Jr. 296/70
- 2004/0125587 A1 * 7/2004 Wada et al. 362/29

2005/0151032 A1 * 7/2005 Chen 248/27.1

* cited by examiner

Primary Examiner—Antoine D. Davis

(74) *Attorney, Agent, or Firm*—Thompson Coburn, LLP

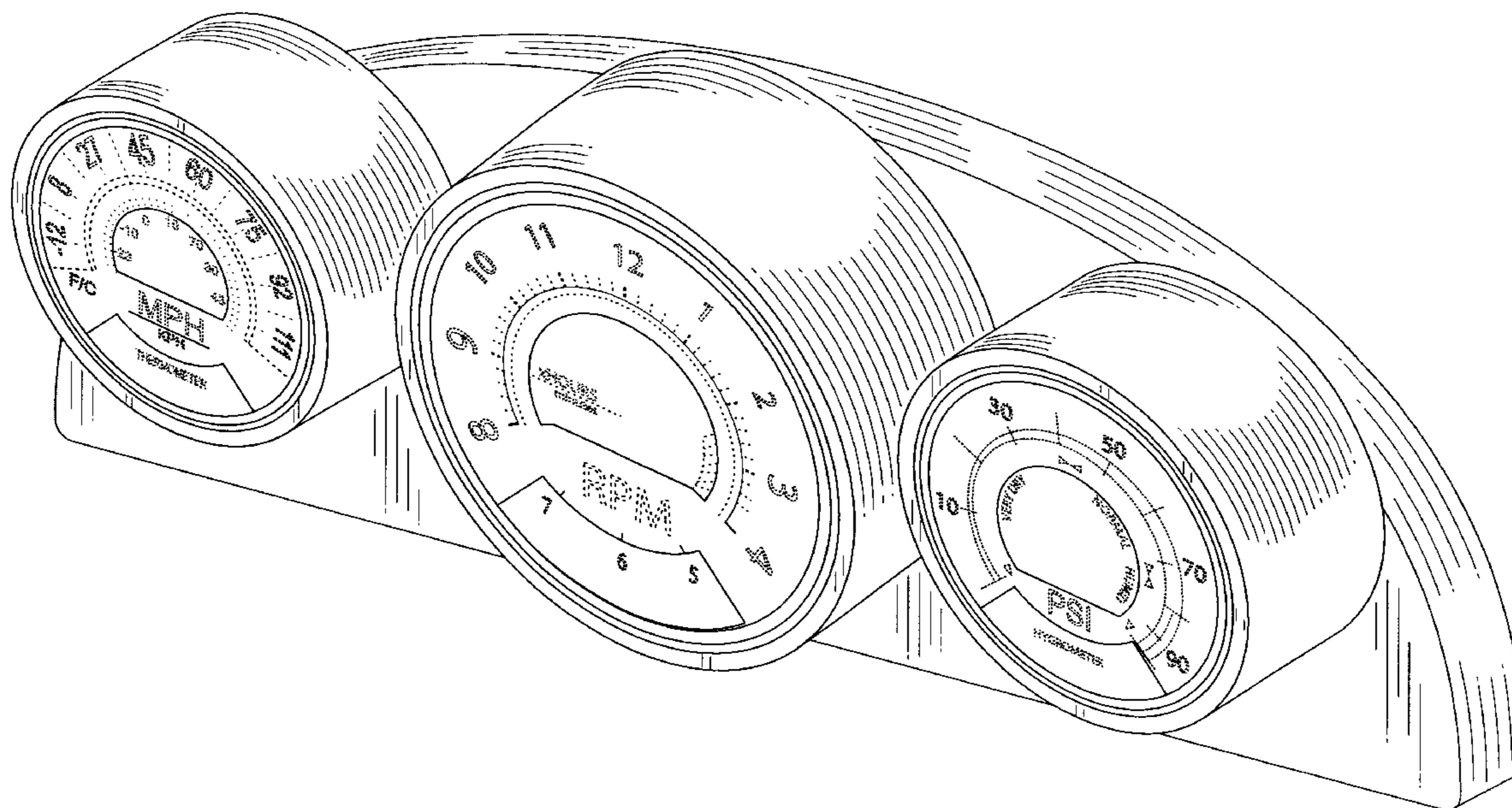
(57) **CLAIM**

The ornamental design for a gauge cluster, as shown and described.

DESCRIPTION

FIG. 1 is a perspective view of a gauge cluster in accordance with one embodiment of the present invention; FIG. 2 is a front view of the gauge cluster of FIG. 1; FIG. 3 is a back view of the gauge cluster of FIG. 1; FIG. 4 is a top view of the gauge cluster of FIG. 1; FIG. 5 is a bottom view of the gauge cluster of FIG. 1; FIG. 6 is a side view of the gauge cluster of FIG. 1; FIG. 7 is a perspective view of a gauge cluster in accordance with another embodiment of the present invention; FIG. 8 is a front view of the gauge cluster of FIG. 7; FIG. 9 is a back view of the gauge cluster of FIG. 7; FIG. 10 is a top view of the gauge cluster of FIG. 7; FIG. 11 is a bottom view of the gauge cluster of FIG. 7; and, FIG. 12 is a side view of the gauge cluster of FIG. 7. It will be understood that the dashed lines presented in the drawings are for illustration only, and do not form a part of the claimed design.

1 Claim, 6 Drawing Sheets



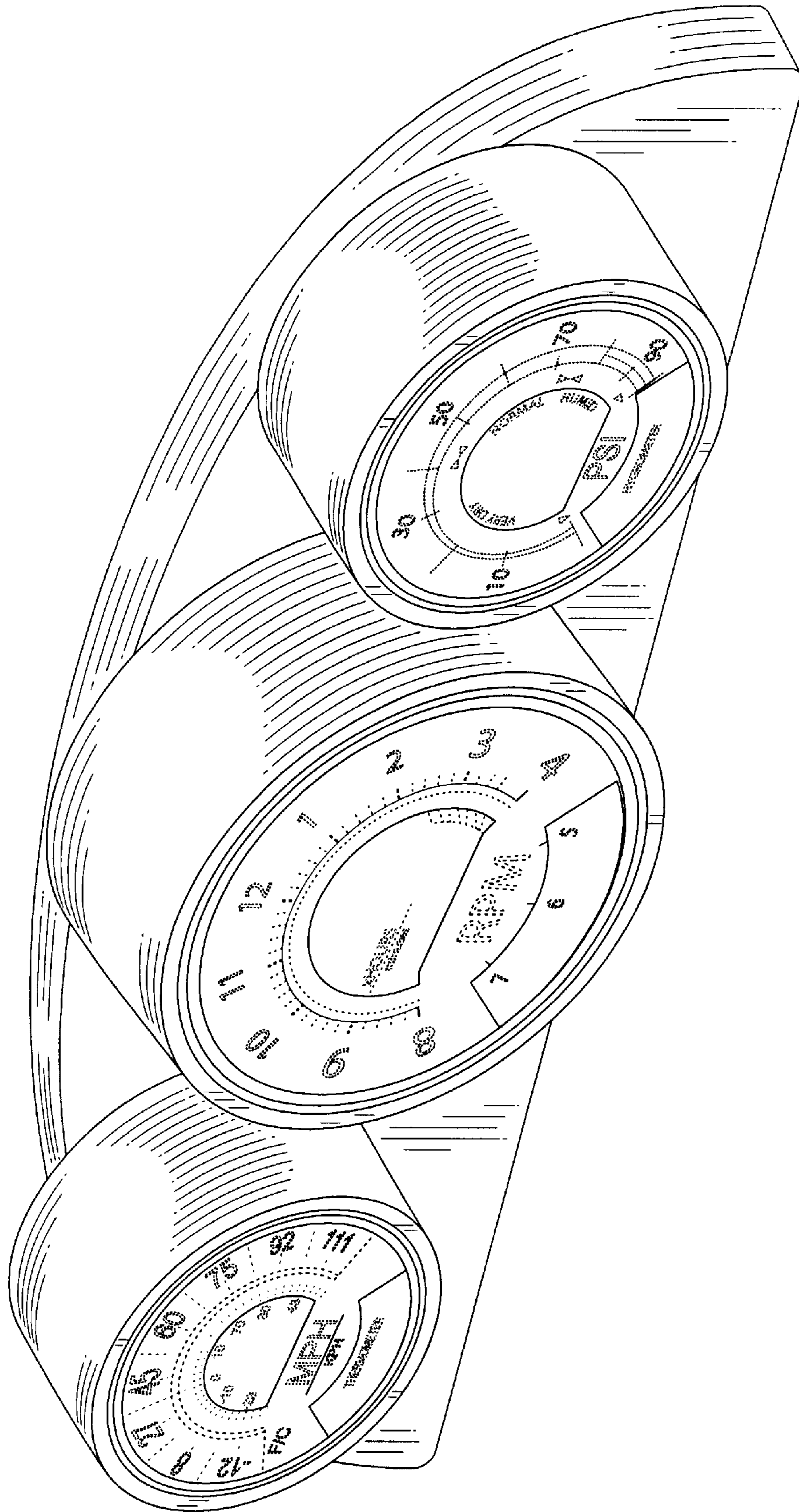


Figure 1

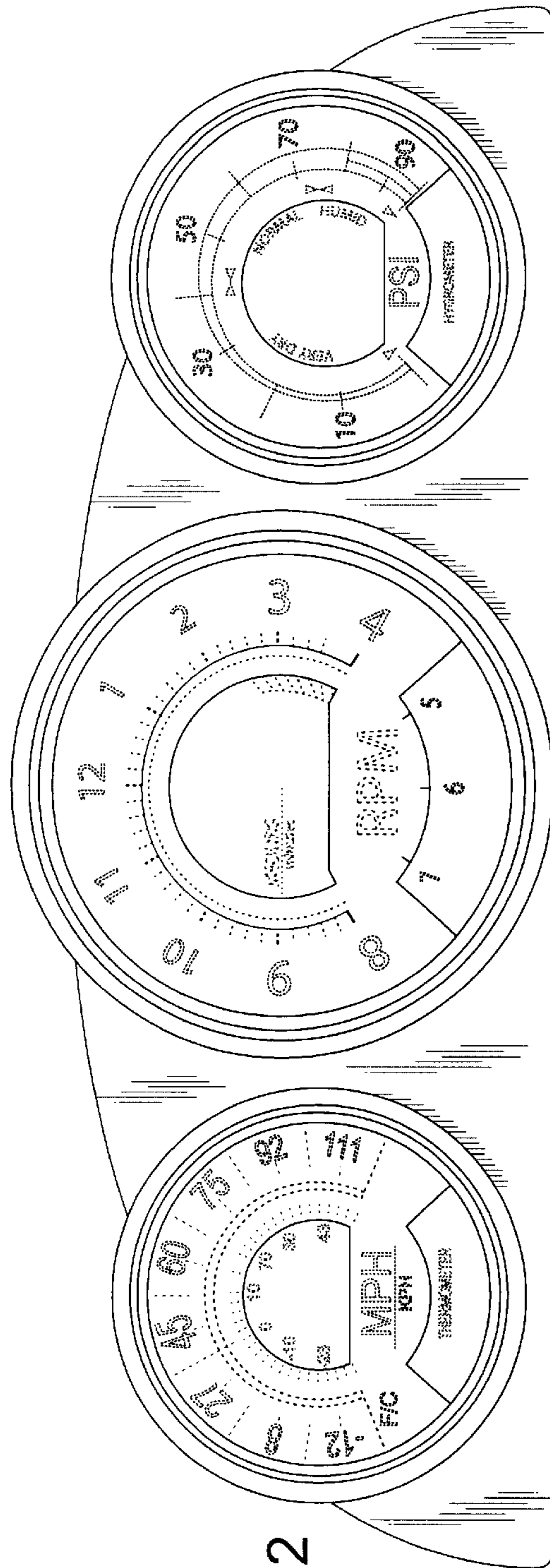


Figure 2

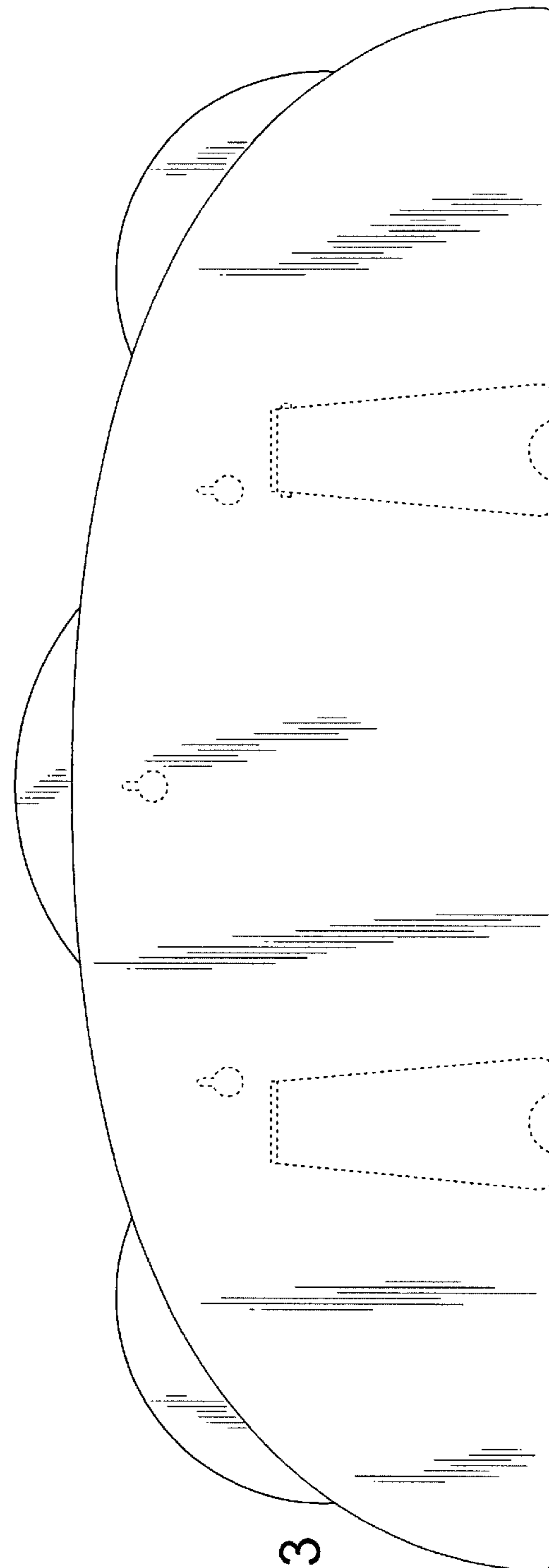


Figure 3

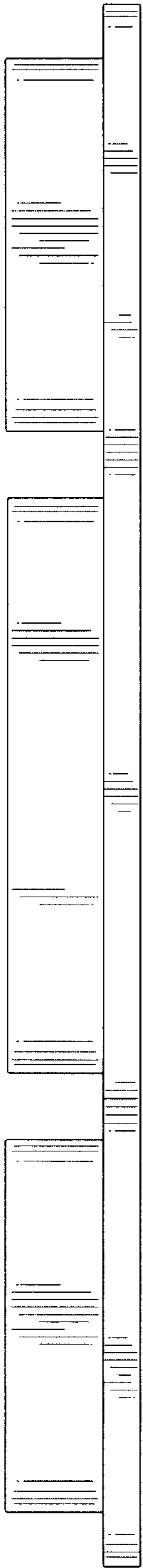


Figure 4



Figure 5

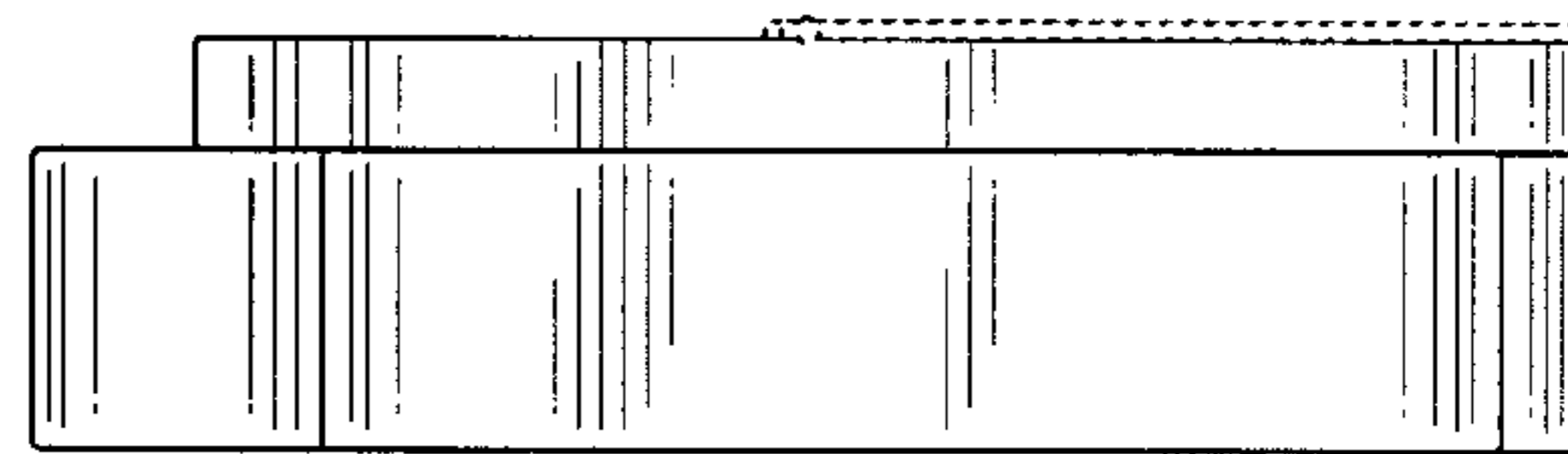


Figure 6

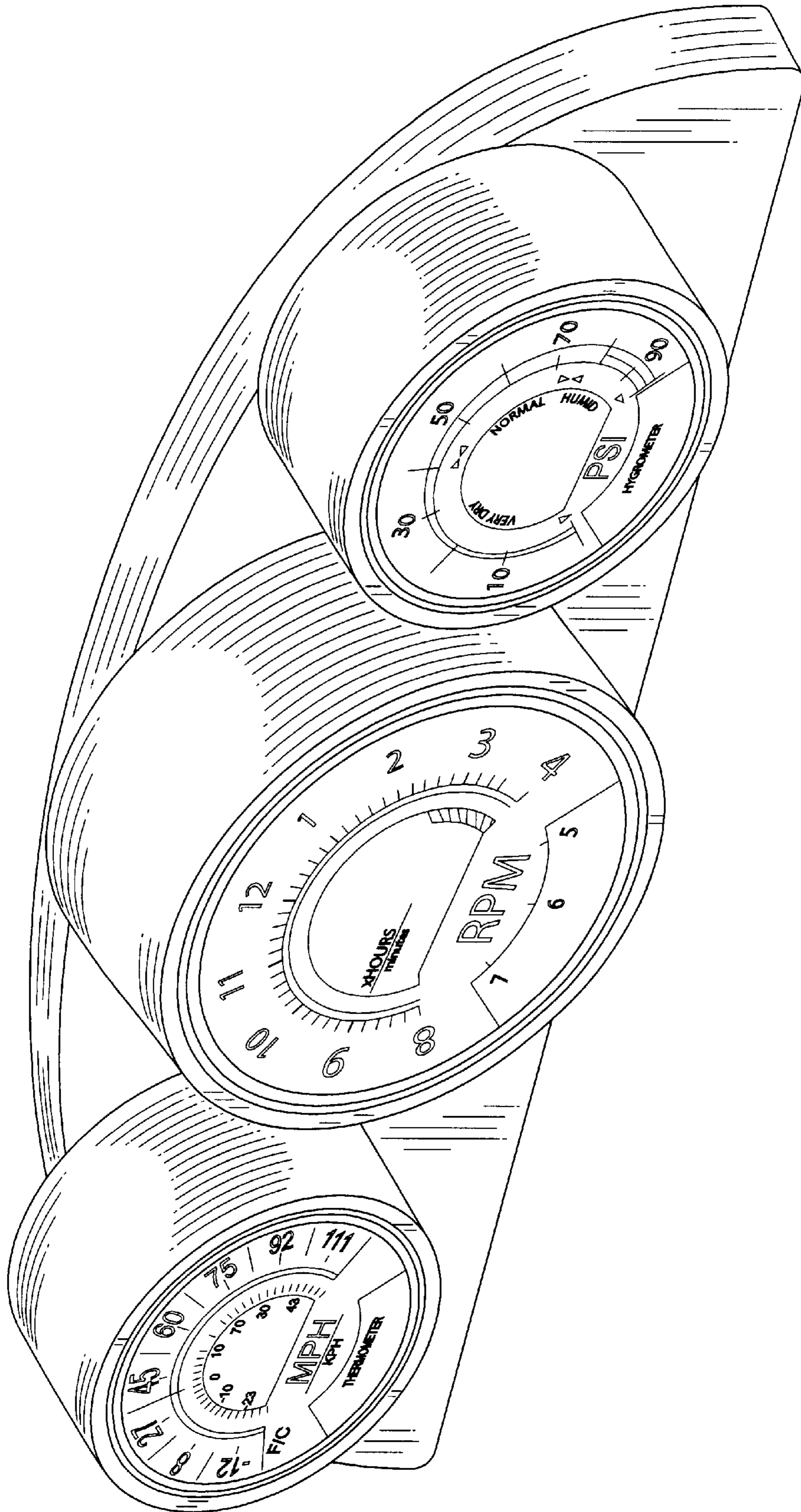


Figure 7

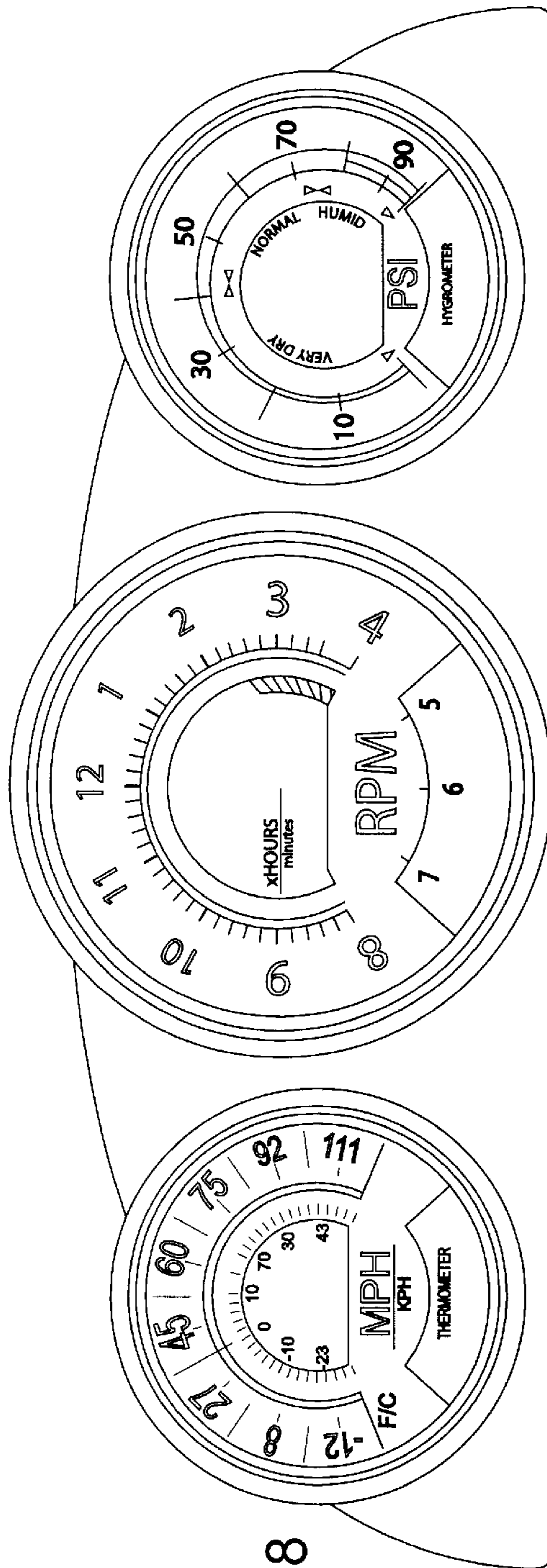


Figure 8

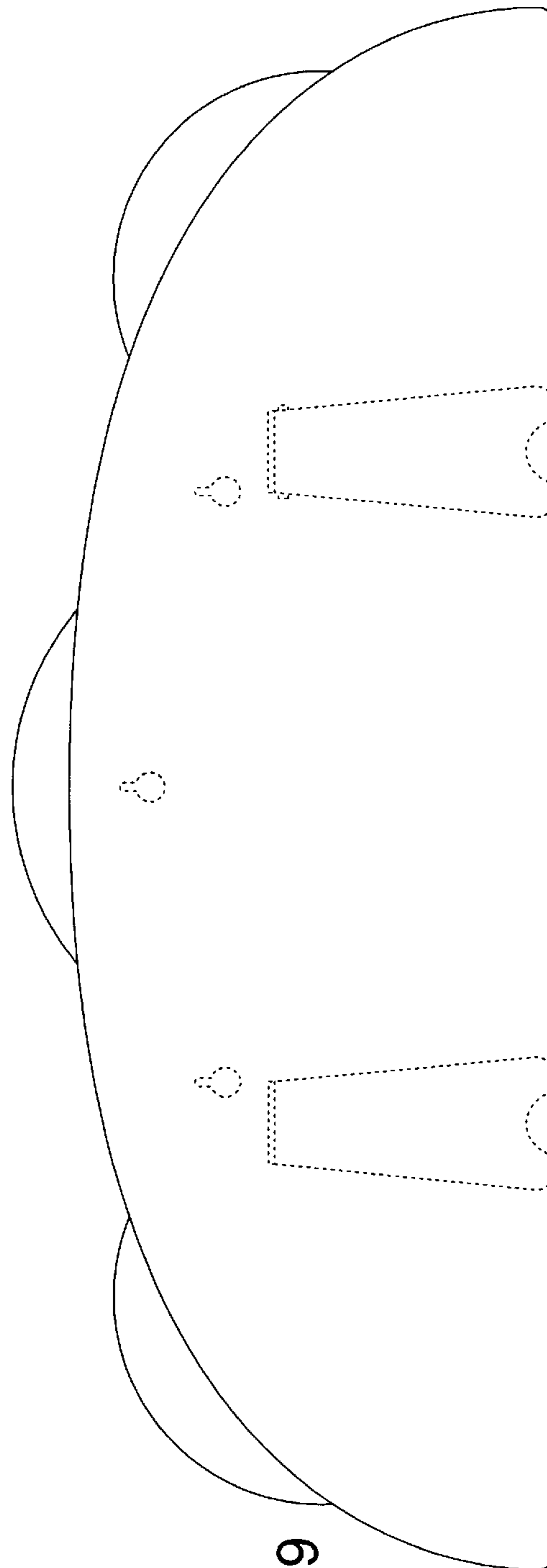


Figure 9

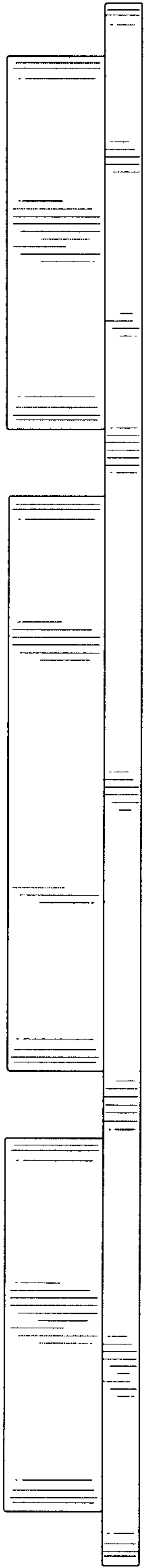


Figure 10

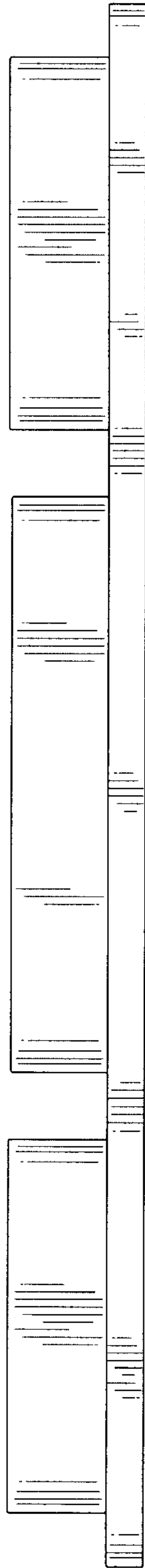


Figure 11

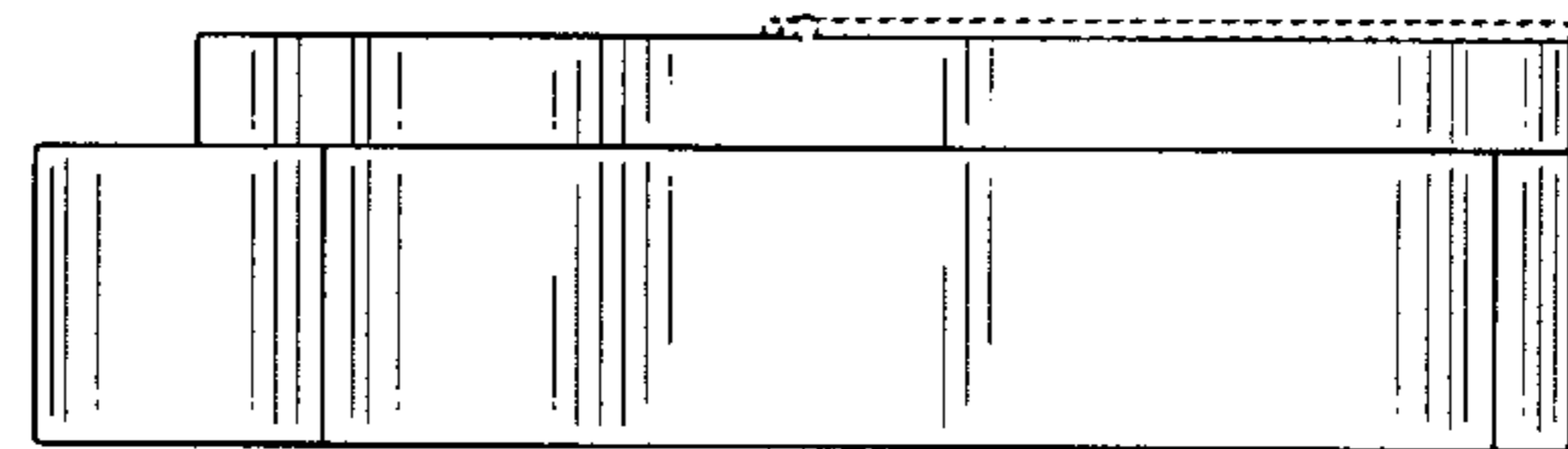


Figure 12