



US00D538693S

(12) **United States Design Patent**
Ross, Jr. et al.

(10) **Patent No.:** **US D538,693 S**

(45) **Date of Patent:** **** Mar. 20, 2007**

(54) **GAUGE DIAL HOUSING**
(75) Inventors: **Herbert G. Ross, Jr.**, Argyle, TX (US);
Danny E. Swindler, Prosper, TX (US)
(73) Assignee: **Rochester Gauges, Inc.**, Dallas, TX
(US)
(**) Term: **14 Years**

(21) Appl. No.: **29/231,525**
(22) Filed: **Jun. 7, 2005**

(51) **LOC (8) Cl.** **10-04**
(52) **U.S. Cl.** **D10/102; D10/103**
(58) **Field of Classification Search** D10/101,
D10/102-103, 122-125; 73/305, 313, 317,
73/318, 322.5, 290 R, 319, DIG. 5; 116/204,
116/284, 227, 56-62.4, 266, 271, DIG. 20,
116/DIG. 71; 324/200, 207.22
See application file for complete search history.

(56) **References Cited**
U.S. PATENT DOCUMENTS

1,617,819	A	*	2/1927	Mabie	73/306
1,822,735	A	*	9/1931	Hastings	73/291
4,595,301	A		6/1986	Taylor		
4,911,011	A		3/1990	Fekete et al.		
D313,949	S		1/1991	Fekete		
4,987,400	A		1/1991	Fekete		
D363,888	S		11/1995	Williamson		
D379,316	S		5/1997	Williamson		
D386,997	S		12/1997	Williamson		
D397,306	S		8/1998	Ross, Jr.		
D397,630	S		9/1998	Clifton		

5,800,221	A	*	9/1998	Dombrowski et al.	440/2
D399,444	S		10/1998	Ross, Jr.		
D402,220	S		12/1998	Clifton		
D413,826	S		9/1999	Housey et al.		
D414,711	S		10/1999	Hrcir		
D419,091	S		1/2000	Pattison et al.		
6,041,650	A		3/2000	Swindler et al.		
D430,050	S		8/2000	Housey et al.		
D431,483	S		10/2000	Housey		
D440,994	S		4/2001	Ross, Jr.		
6,679,116	B2		1/2004	Ross, Jr.		
6,724,201	B2	*	4/2004	Sato et al.	324/714
2004/0154393	A1		8/2004	Taylor et al.		

* cited by examiner

Primary Examiner—Antoine D. Davis
(74) *Attorney, Agent, or Firm*—Howison & Arnott, LLP

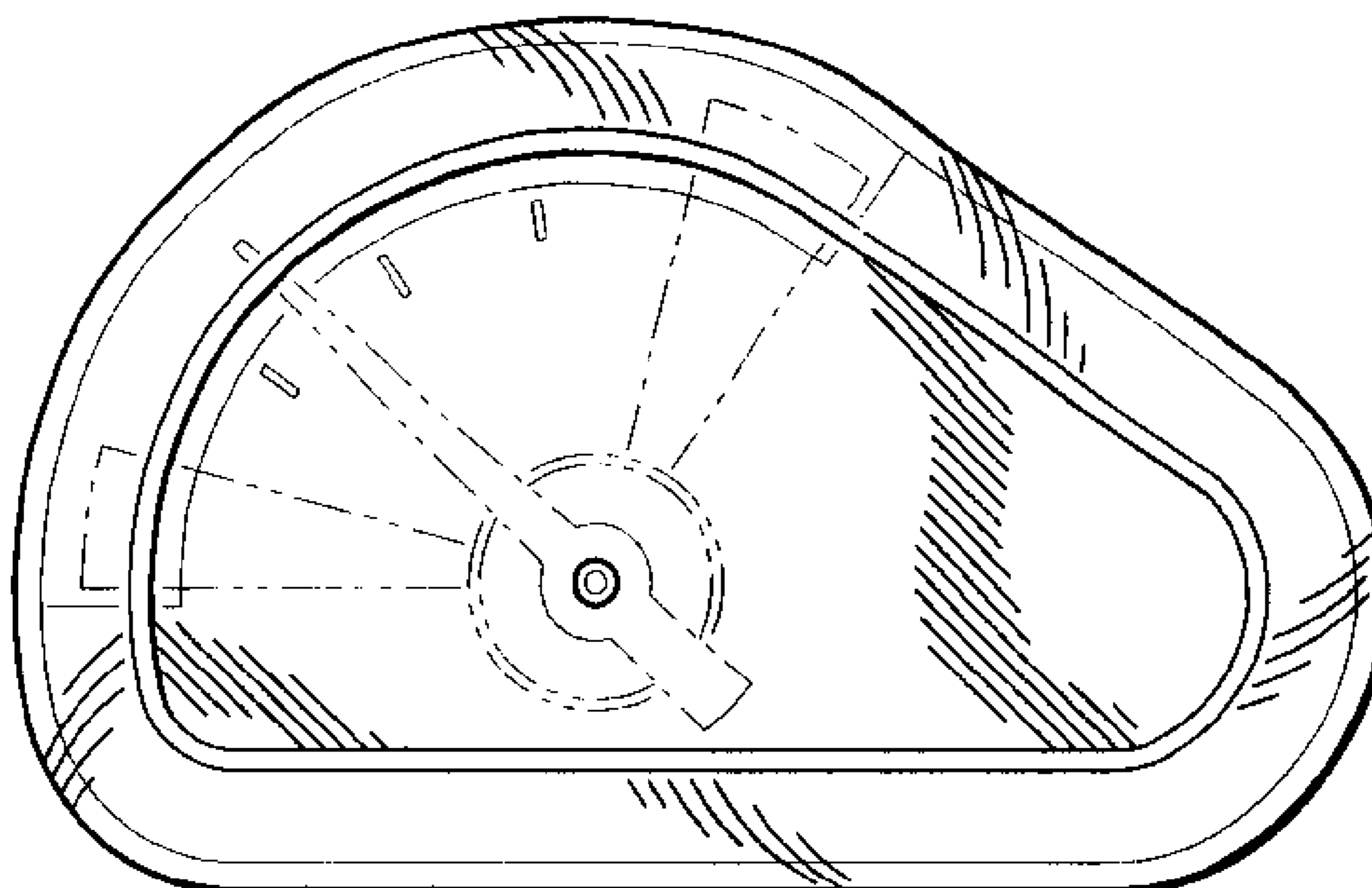
(57) **CLAIM**

The ornamental design for a gauge dial housing, as shown and described.

DESCRIPTION

FIG. 1 is a front view of the gauge dial housing;
FIG. 2 is a top view of the gauge dial housing;
FIG. 3 is back view of the gauge dial housing;
FIG. 4 is a bottom view of the gauge dial housing;
FIG. 5 is a perspective view of the gauge dial housing;
FIG. 6 is a right side view of the gauge dial housing; and,
FIG. 7 is a left side view of the gauge dial housing.
The portions in broken lines showing other parts are for illustrative purposes of depicting the environment only and form no part of the claimed design.

1 Claim, 2 Drawing Sheets



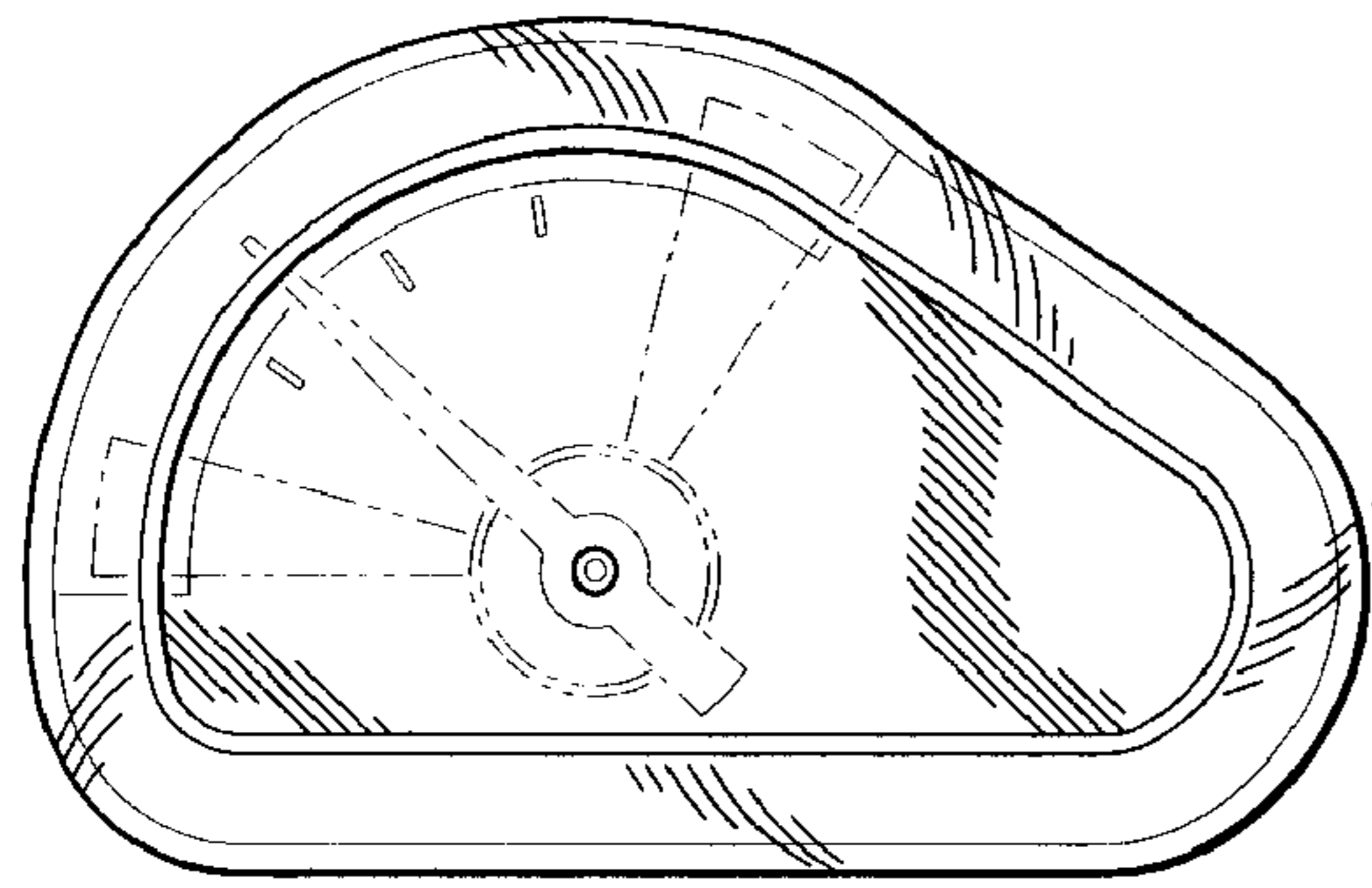


FIG. 1

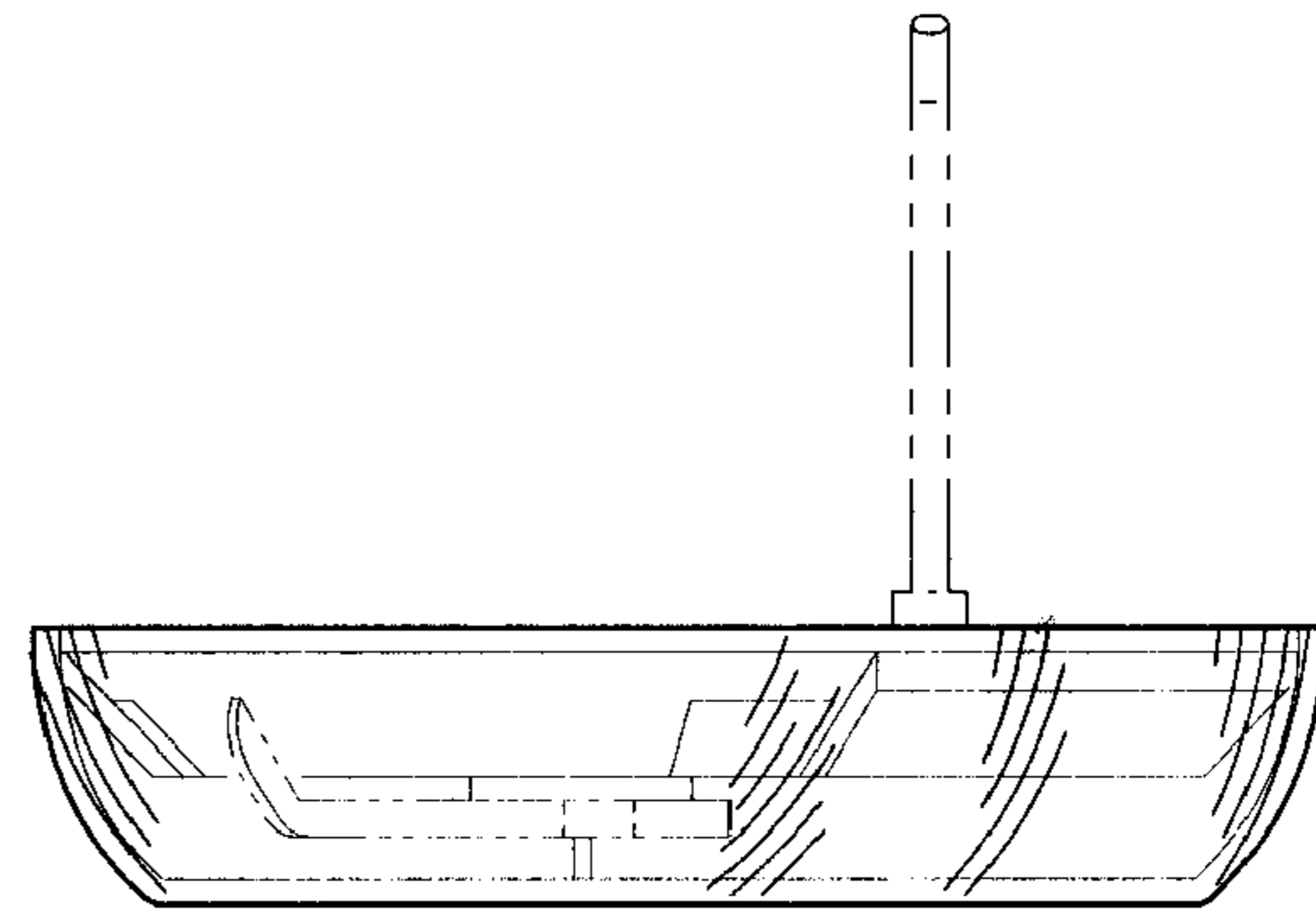


FIG. 2

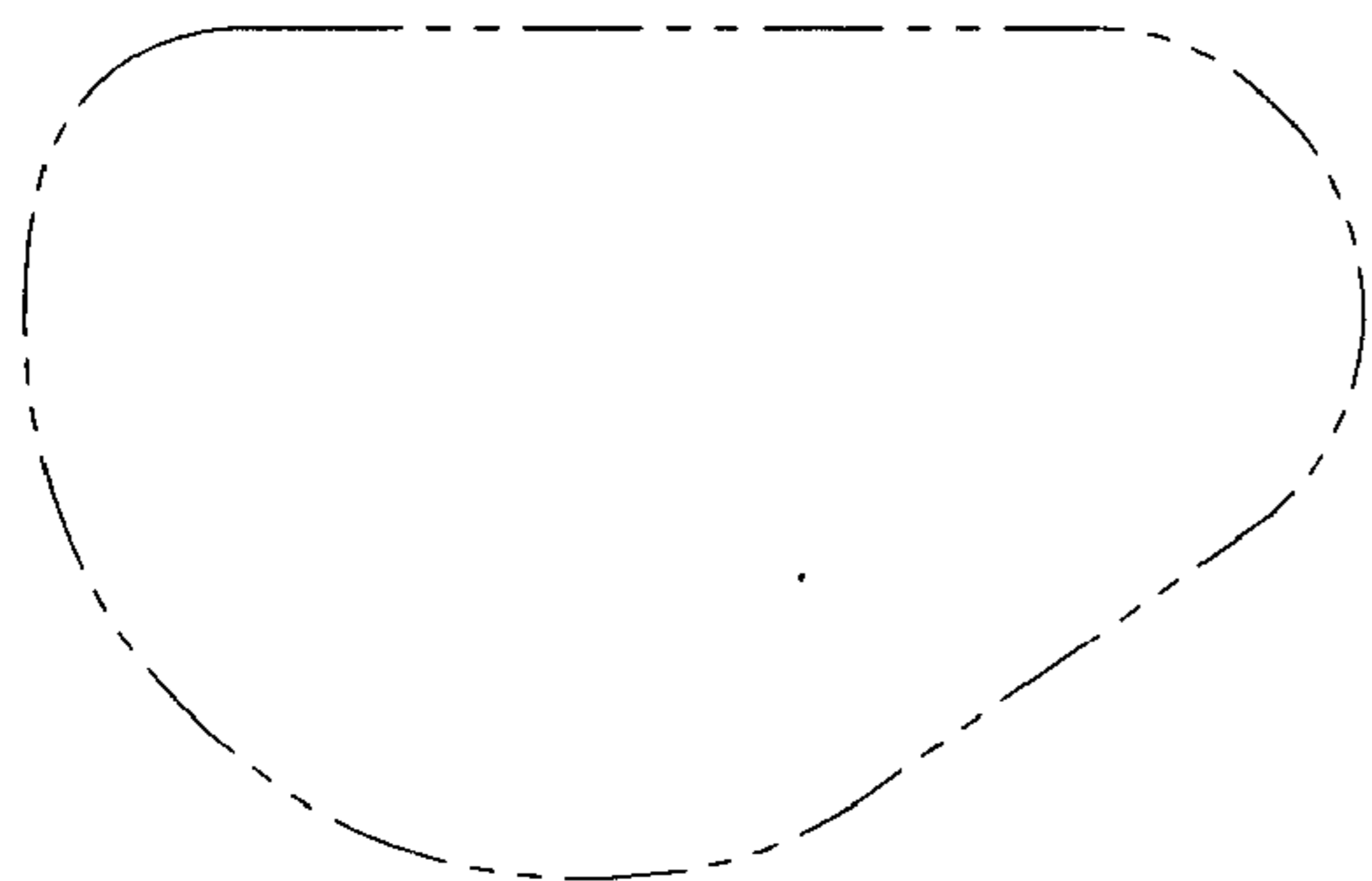


FIG. 3

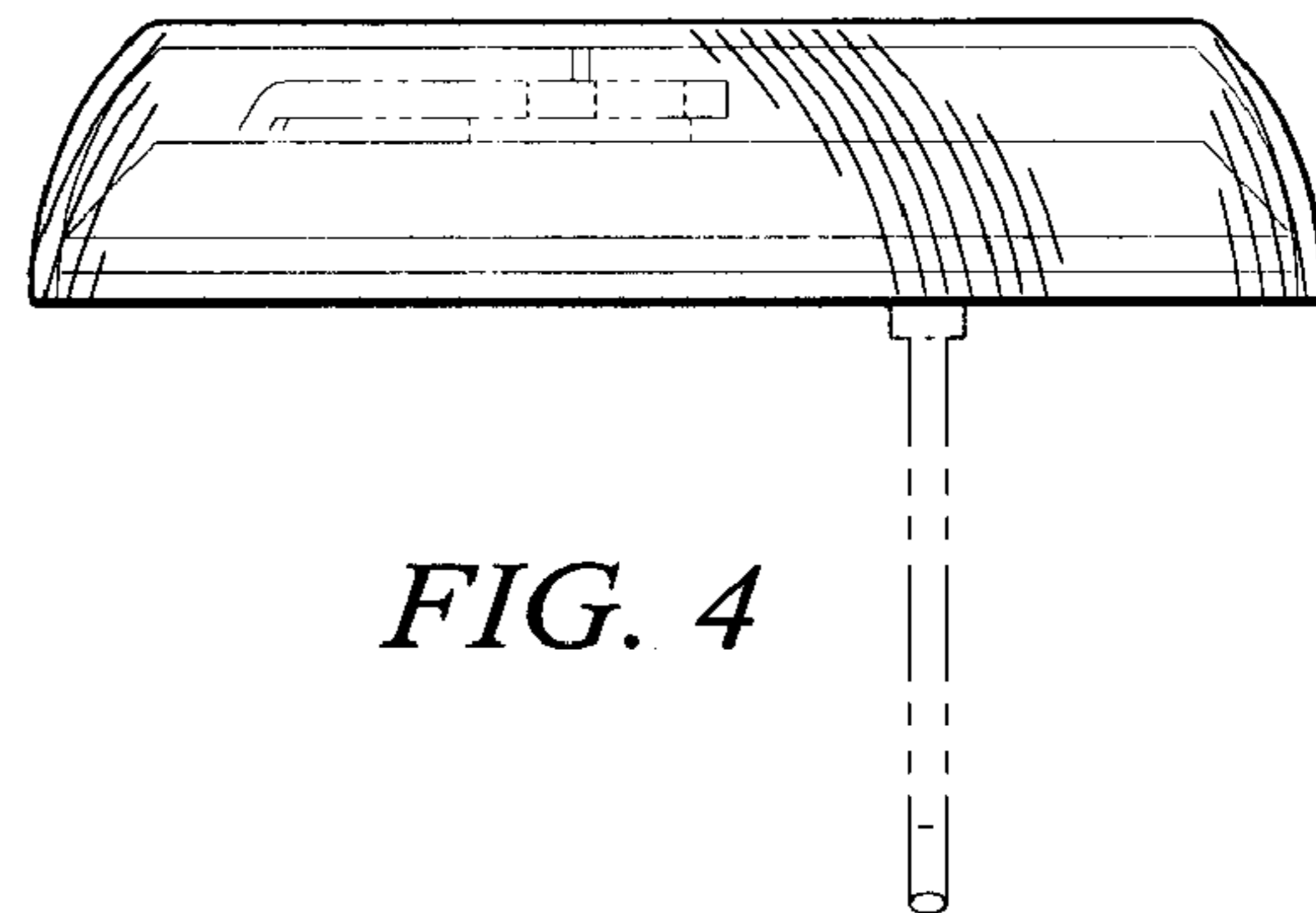


FIG. 4

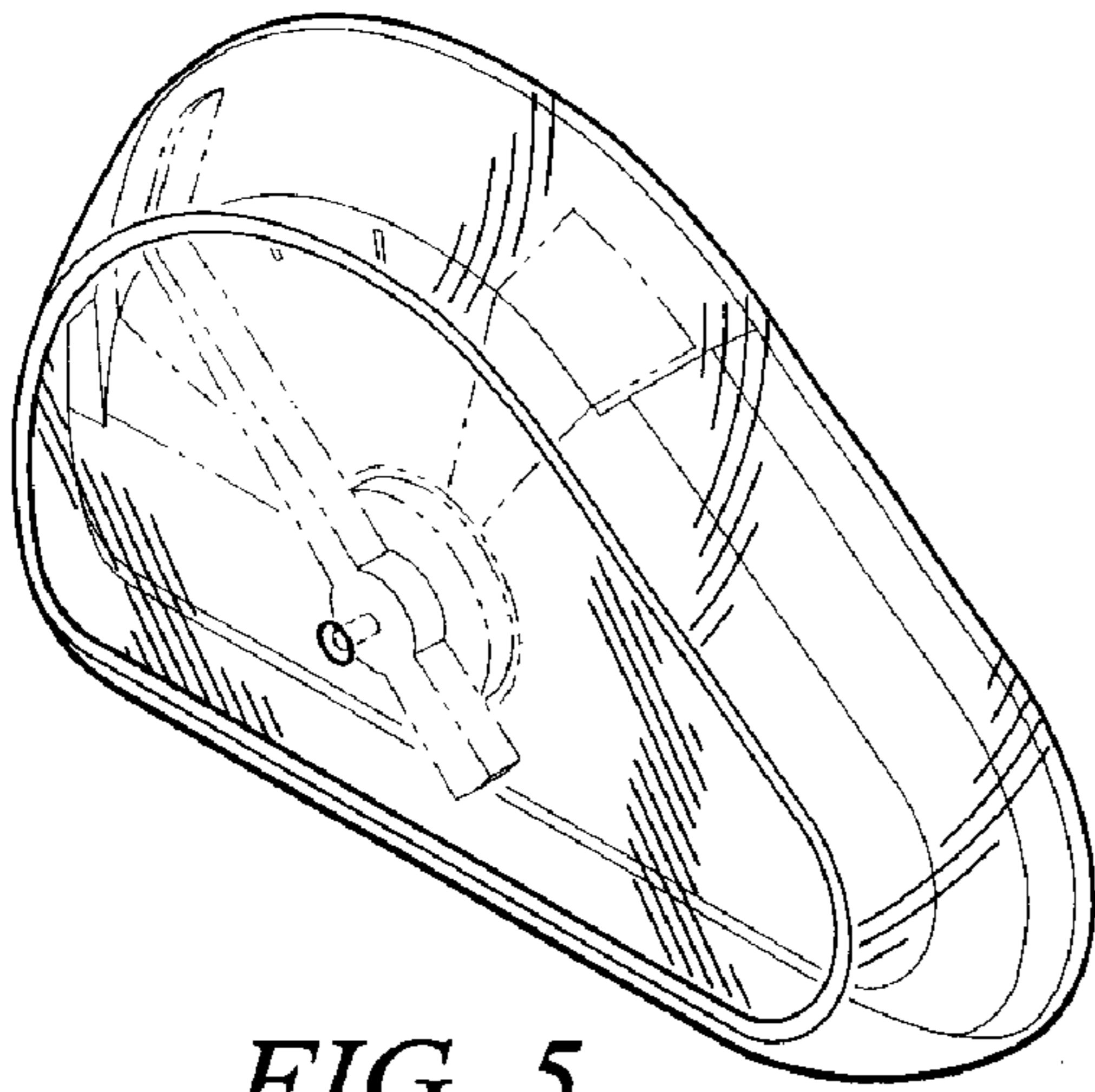


FIG. 5

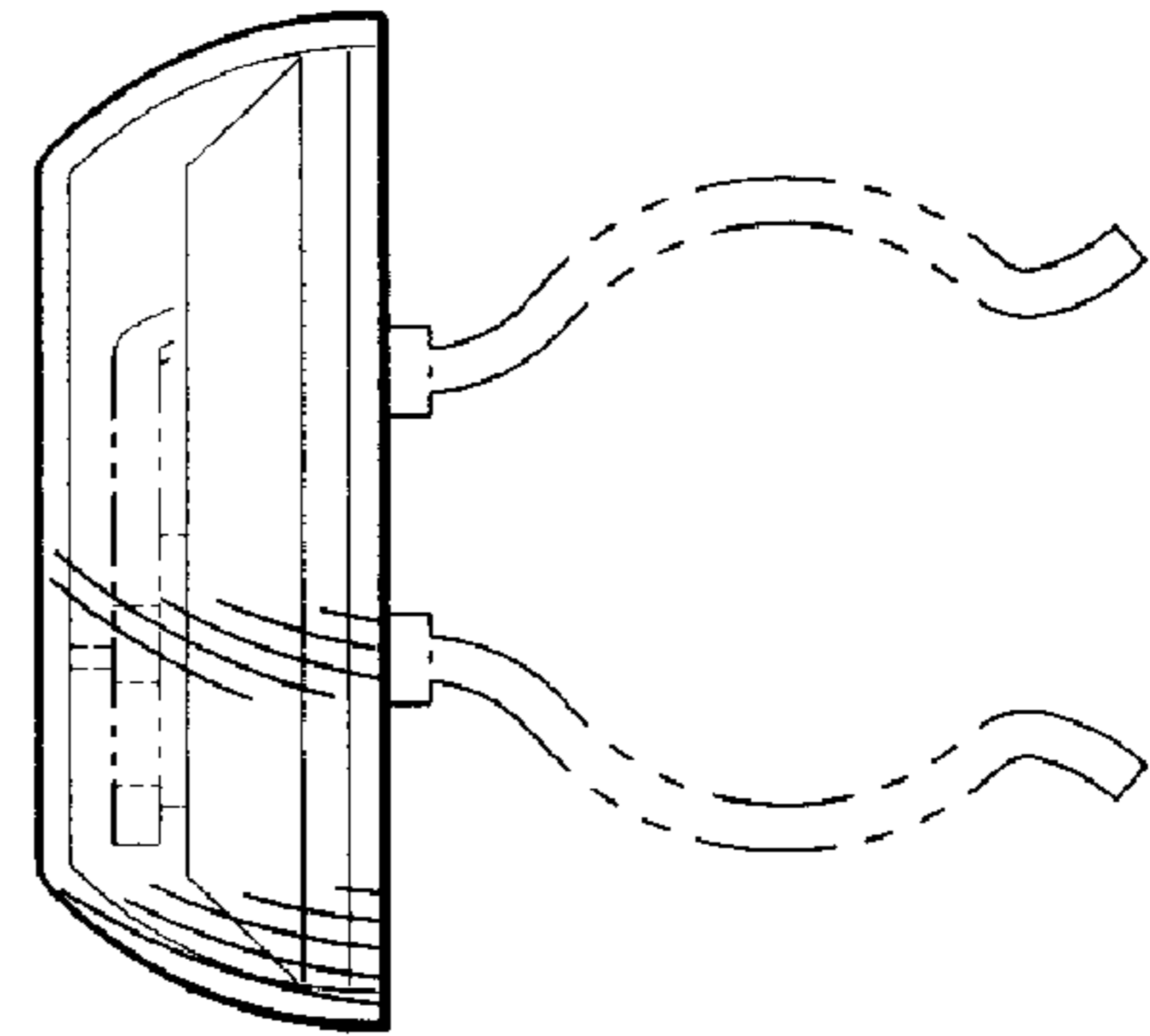


FIG. 6

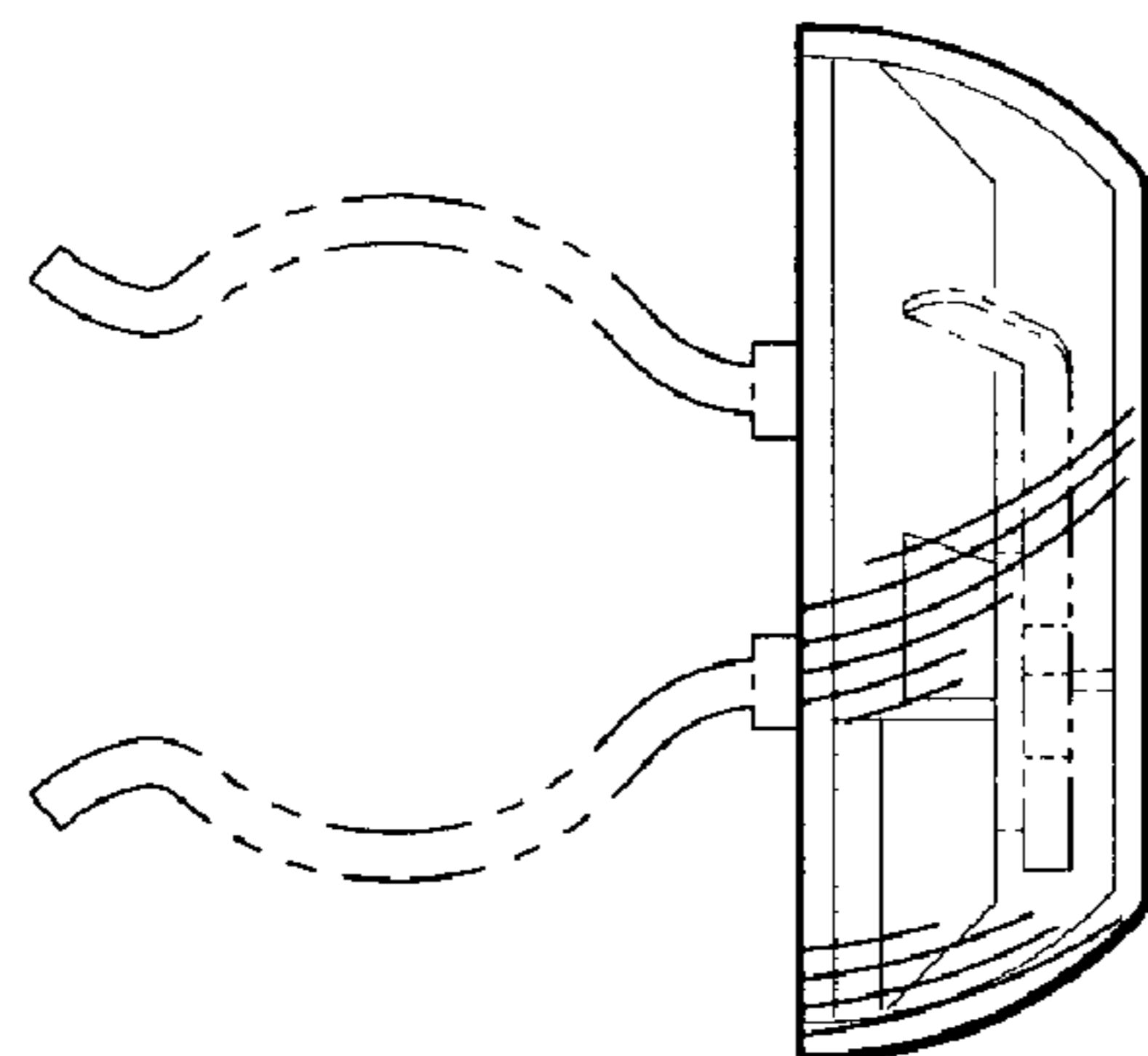


FIG. 7