



US00D538691S

(12) **United States Design Patent**  
**Munroe et al.**

(10) **Patent No.:** **US D538,691 S**

(45) **Date of Patent:** **\*\* Mar. 20, 2007**

(54) **LASER LINE GENERATOR**

D517,933 S \* 3/2006 Concari ..... D10/70

(75) Inventors: **Jay R. Munroe**, Watseka, IL (US);  
**Vincent Cook**, Milford, CT (US);  
**Duard Wilson**, Kankakee, IL (US)

\* cited by examiner

*Primary Examiner*—Antoine D. Davis

(73) Assignee: **Stanley Tools and Hardware**, New Britain, CT (US)

(74) *Attorney, Agent, or Firm*—Pillsbury Winthrop Shaw Pittman LLP

(\*\*) Term: **14 Years**

(57) **CLAIM**

The ornamental design for a laser line generator, as shown and described.

(21) Appl. No.: **29/258,950**

(22) Filed: **May 1, 2006**

**DESCRIPTION**

(51) **LOC (8) Cl.** ..... **10-04**

(52) **U.S. Cl.** ..... **D10/70; D10/66; D10/69**

(58) **Field of Classification Search** ..... D10/66,  
D10/69, 70; 33/276, 277, 281, 285, 286,  
33/290, 291–299, DIG. 21; 340/573.1–573.4,  
340/539, 825.36, 825.46, 825.49, 357.02,  
340/357.07–357.09; 356/5.15, 4.01, 5.01,  
356/5.08, 5.05, 4.05, 5.07, 5.09, 5.12, 28.5,  
356/138, 139.3, 141.3, 142, 345, 375, 3.01,  
356/5.06, 128–155, 399, 400; 385/83, 97,  
385/98, 99, 134–139; 701/211–213; 702/150,  
702/158, 208; 264/1.24–1.25

FIG. 1 is a perspective illustration, from the top, rear, and right side of a laser line generator according to our design; FIG. 2 is a perspective illustration, from the bottom, rear, left side thereof;

FIG. 3 is a rear elevational view thereof;

FIG. 4 is a front elevational view thereof;

FIG. 5 is a side elevational view thereof, from the right side;

FIG. 6 is a side elevational view thereof, from the left side;

FIG. 7 is a top plan view thereof; and,

FIG. 8 is a bottom plan view thereof.

The broken line showing of portions and features is included for the purpose of illustrating unclaimed subject matter and forms no part of the claimed design.

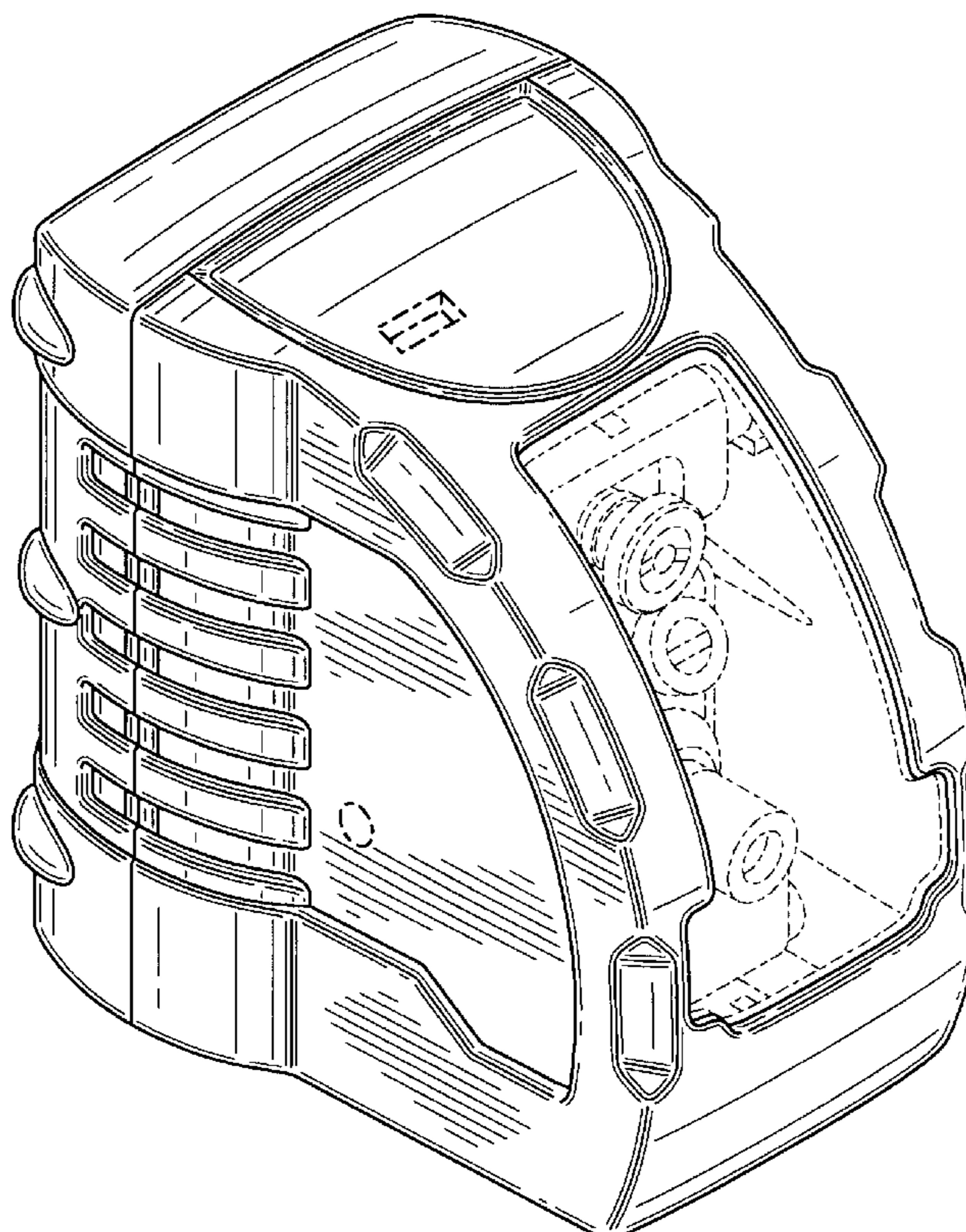
See application file for complete search history.

(56) **References Cited**

U.S. PATENT DOCUMENTS

D504,340 S \* 4/2005 Concari ..... D10/70

**1 Claim, 5 Drawing Sheets**



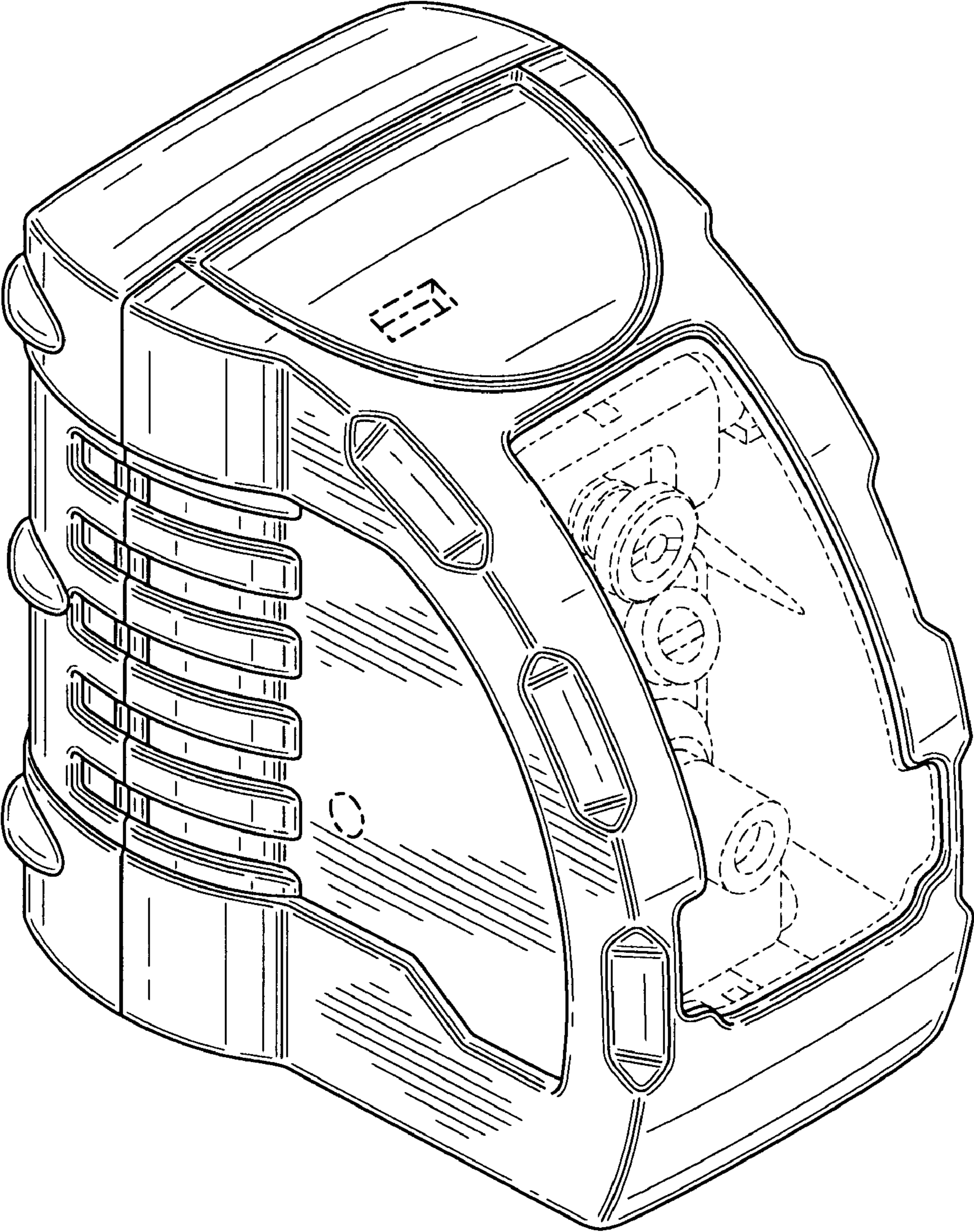


FIG. 1



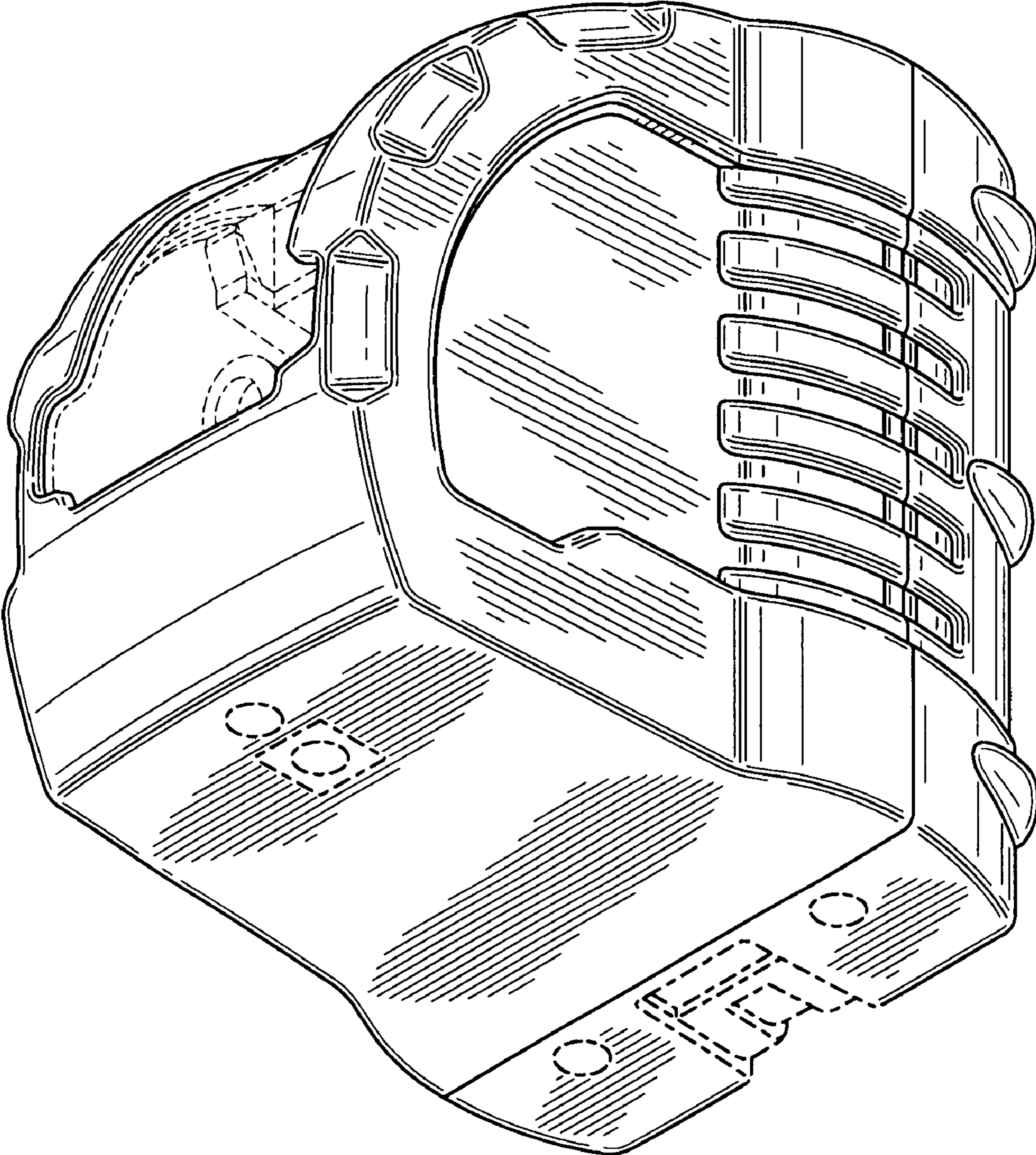


FIG. 2

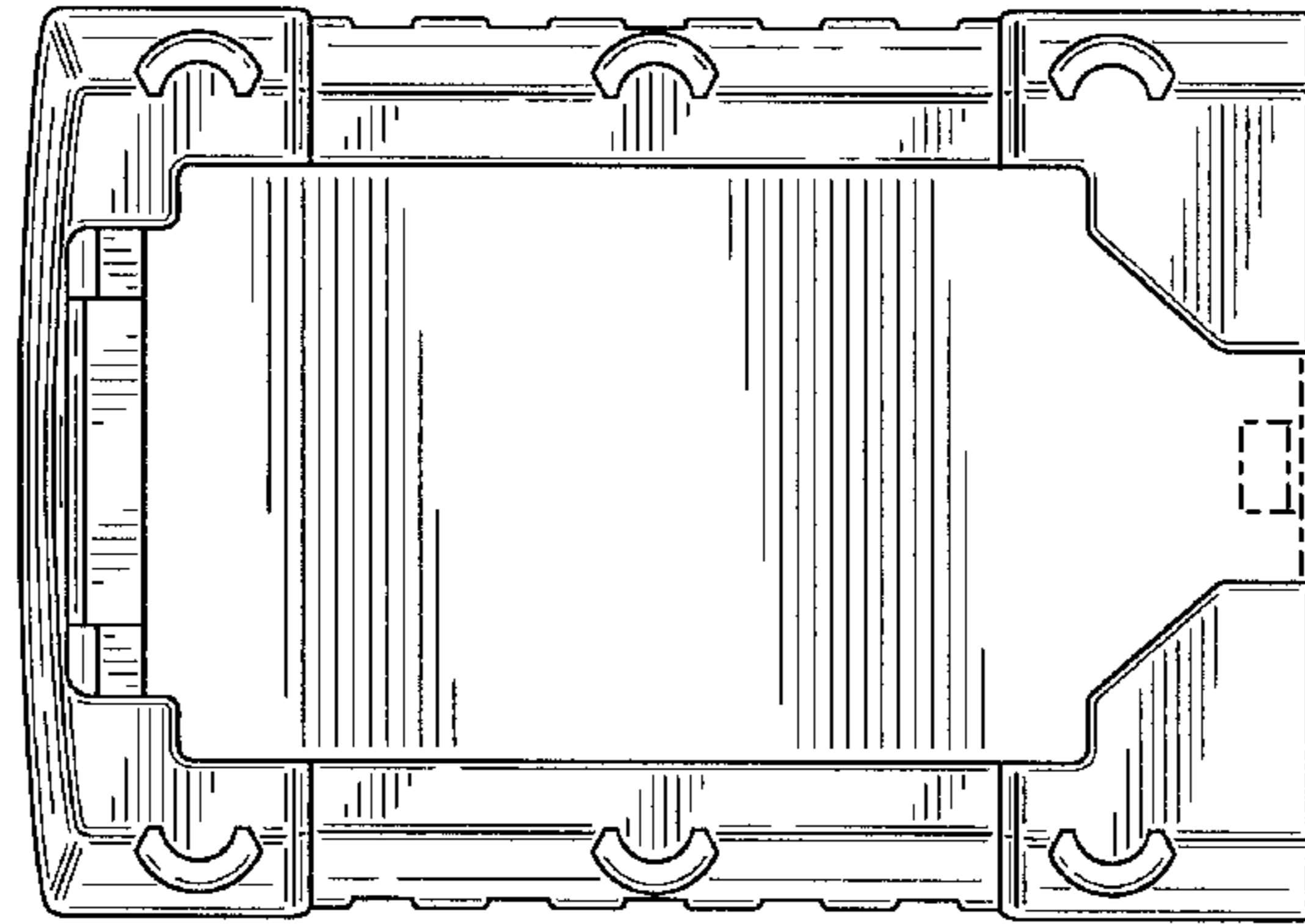


FIG. 4

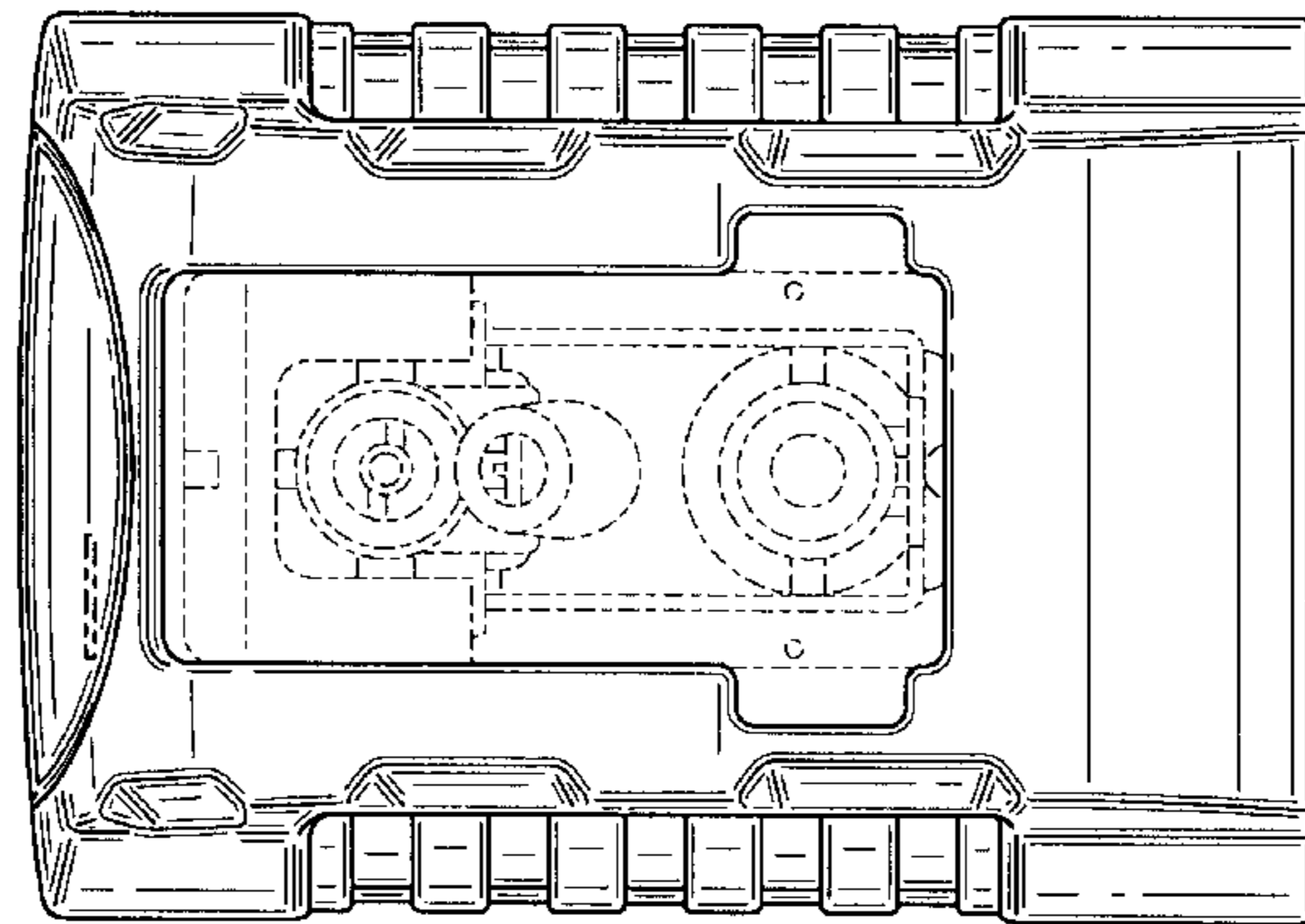


FIG. 3

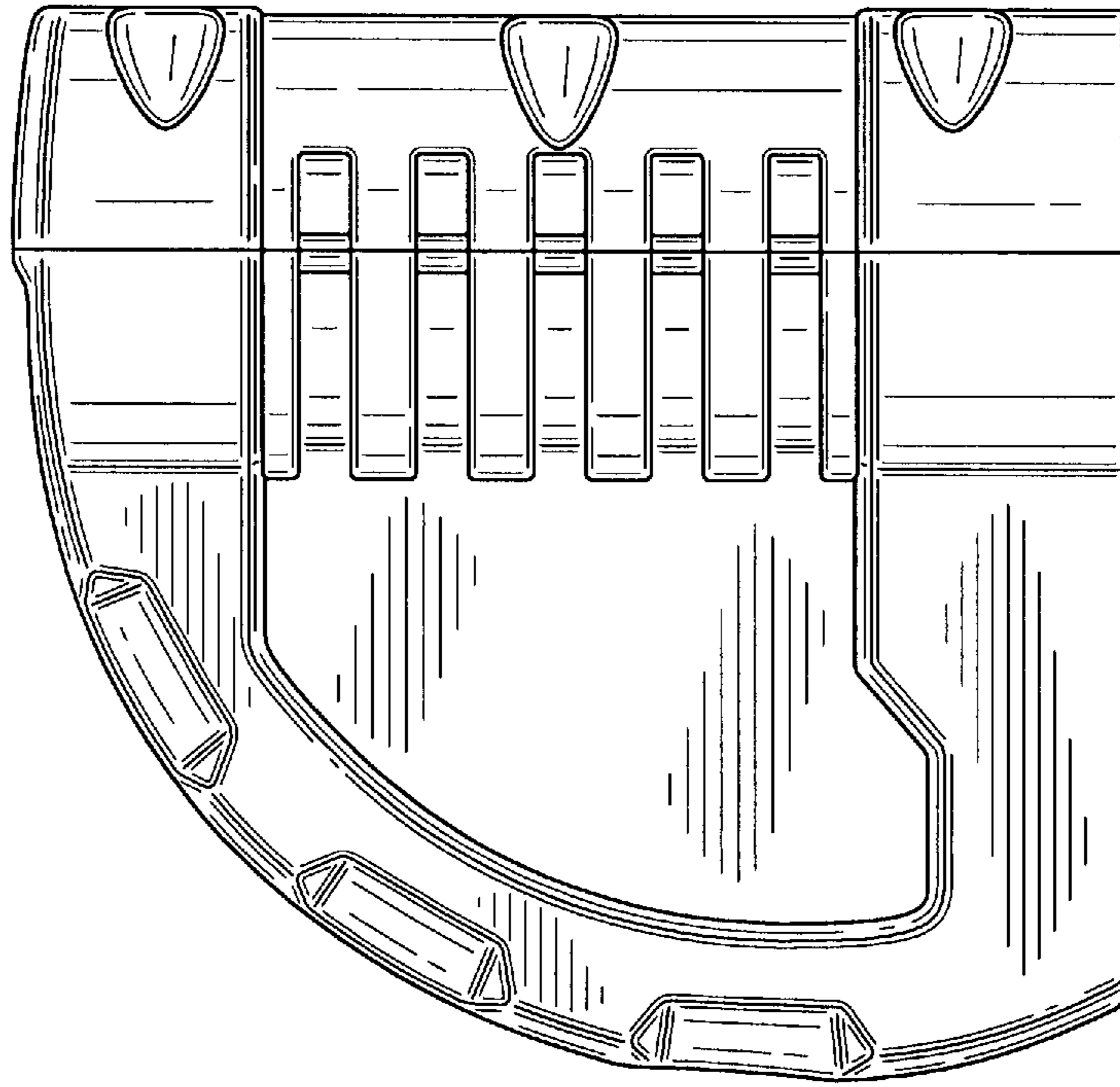


FIG. 6

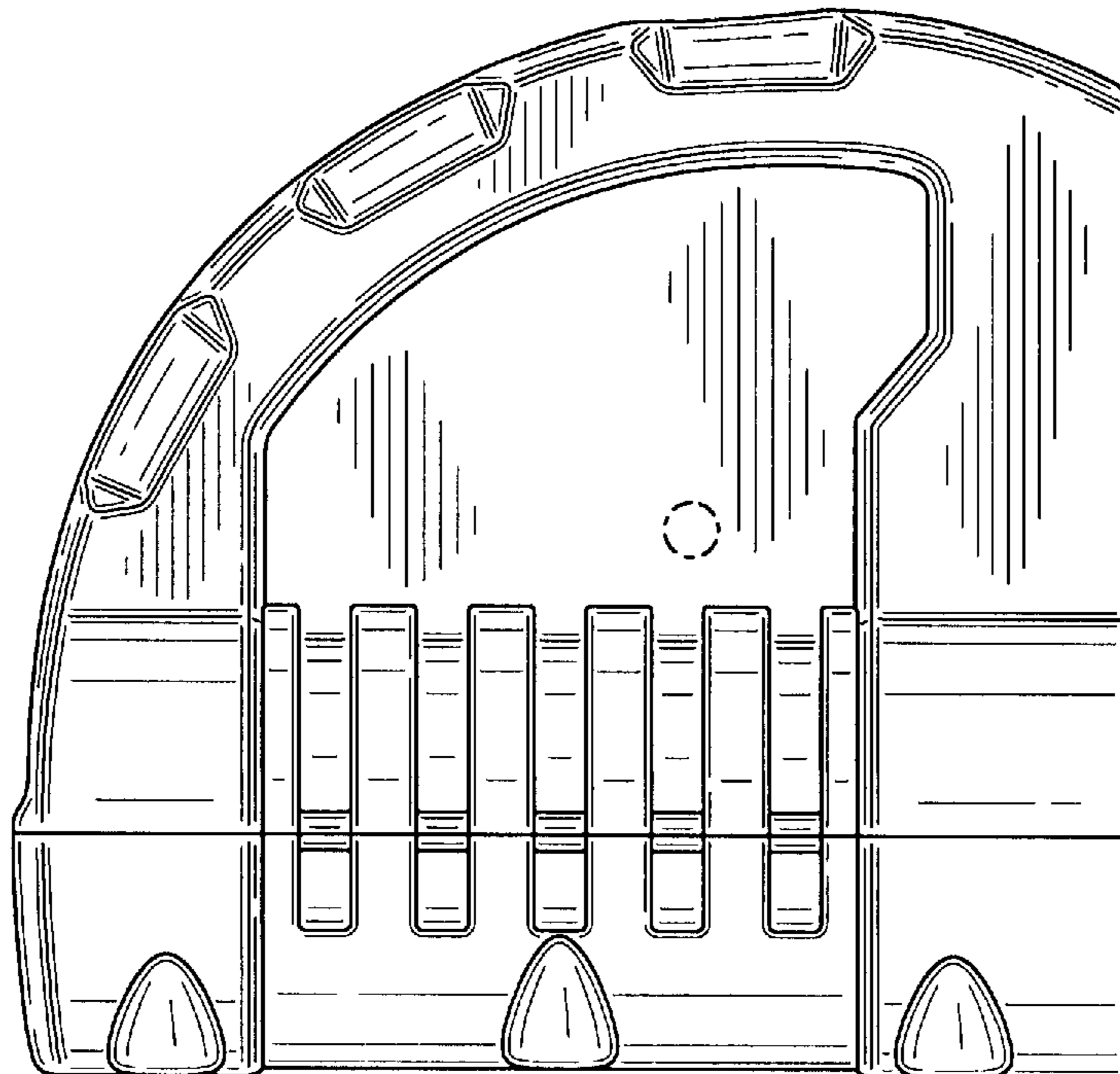


FIG. 5

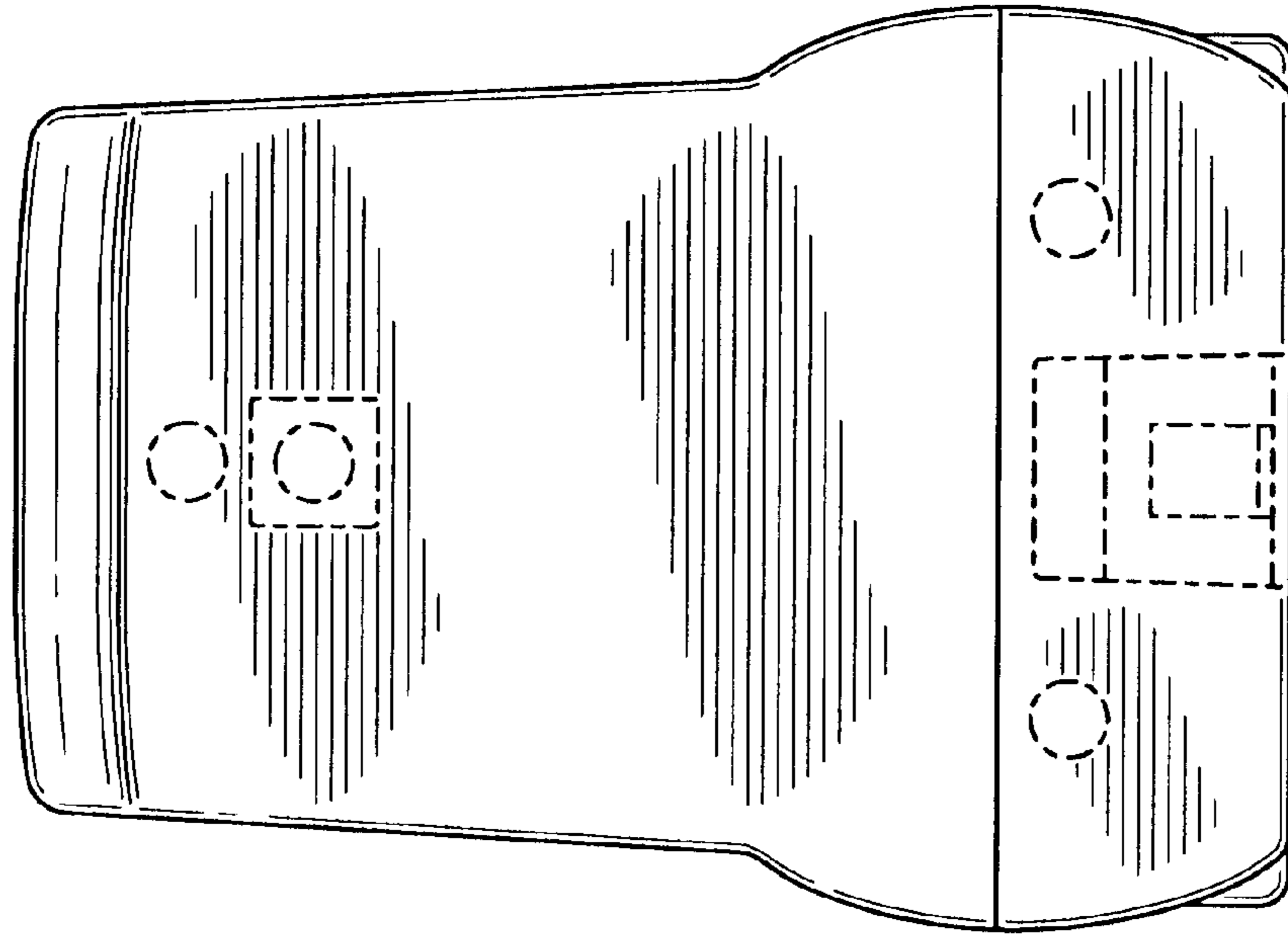


FIG. 8

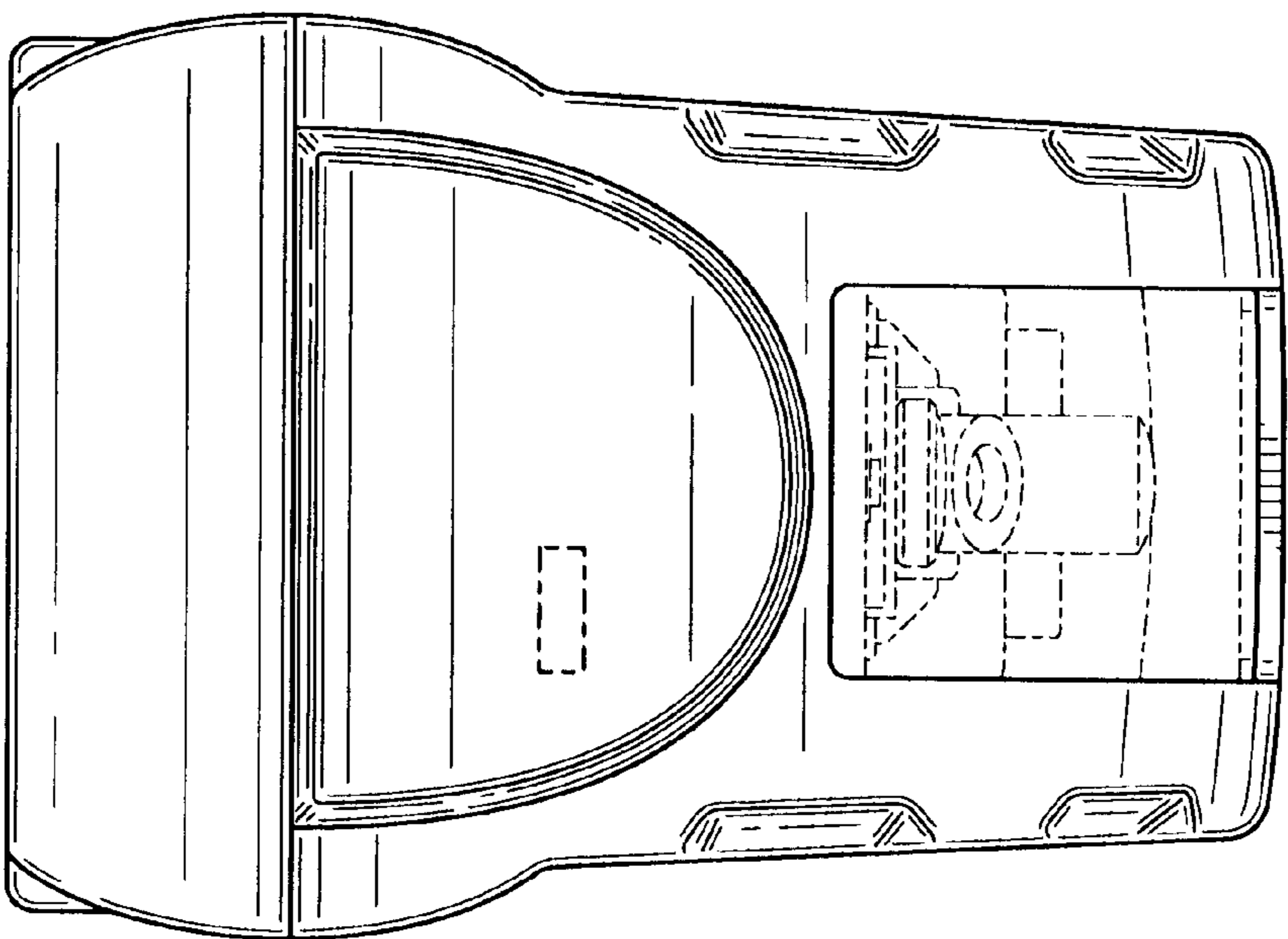


FIG. 7