



US00D538690S

(12) **United States Design Patent**
Baumgaertner

(10) **Patent No.:** **US D538,690 S**

(45) **Date of Patent:** **** Mar. 20, 2007**

(54) **OPTICAL RANGE FINDER**

(75) Inventor: **Klaus Baumgaertner**, Sindelfingen
(DE)

(73) Assignee: **Robert Bosch GmbH**, Stuttgart (DE)

(**) Term: **14 Years**

(21) Appl. No.: **29/256,982**

(22) Filed: **Mar. 28, 2006**

(30) **Foreign Application Priority Data**

Jan. 16, 2006 (EM) 000462981

(51) **LOC (8) Cl.** **10-04**

(52) **U.S. Cl.** **D10/70**

(58) **Field of Classification Search** D10/66,
D10/69, 70; 33/276, 277, 281, 285, 286,
33/290, 291-299, DIG. 21; 340/573.1-573.4,
340/539, 825.36, 825.46, 825.49, 357.02,
340/357.07-357.09; 356/5.15, 4.01, 5.01,
356/5.08, 5.05, 4.05, 5.07, 5.09, 5.12, 28.5,
356/345, 375, 3.01, 5.06, 128-155, 399,
356/400; 385/83, 97, 98, 99, 134-139; 701/211-213;
702/150, 158, 208; 264/1.24-1.25

See application file for complete search history.

(56) **References Cited**

U.S. PATENT DOCUMENTS

D312,050 S * 11/1990 Singleton D10/70

D313,361 S * 1/1991 Robinson D10/70
D460,367 S * 7/2002 Apotheloz et al. D10/70
D460,369 S * 7/2002 Apotheloz et al. D10/70
D472,826 S * 4/2003 Sanoner D10/70
D519,045 S * 4/2006 Wu D10/70
7,075,626 B2 * 7/2006 Schmidt et al. 356/5.09
2003/0078755 A1 * 4/2003 Leutz et al. 702/156
2005/0151957 A1 * 7/2005 Stierle et al. 356/5.15
2006/0002233 A1 * 1/2006 Malard 367/128

* cited by examiner

Primary Examiner—Antoine D. Davis

(74) *Attorney, Agent, or Firm*—Michael J. Striker

(57) **CLAIM**

The ornamental design for an optical range finder, as shown and described.

DESCRIPTION

FIG. 1 is a perspective view of an optical range finder showing my new design;

FIG. 2 is a front view thereof;

FIG. 3 is a side view thereof;

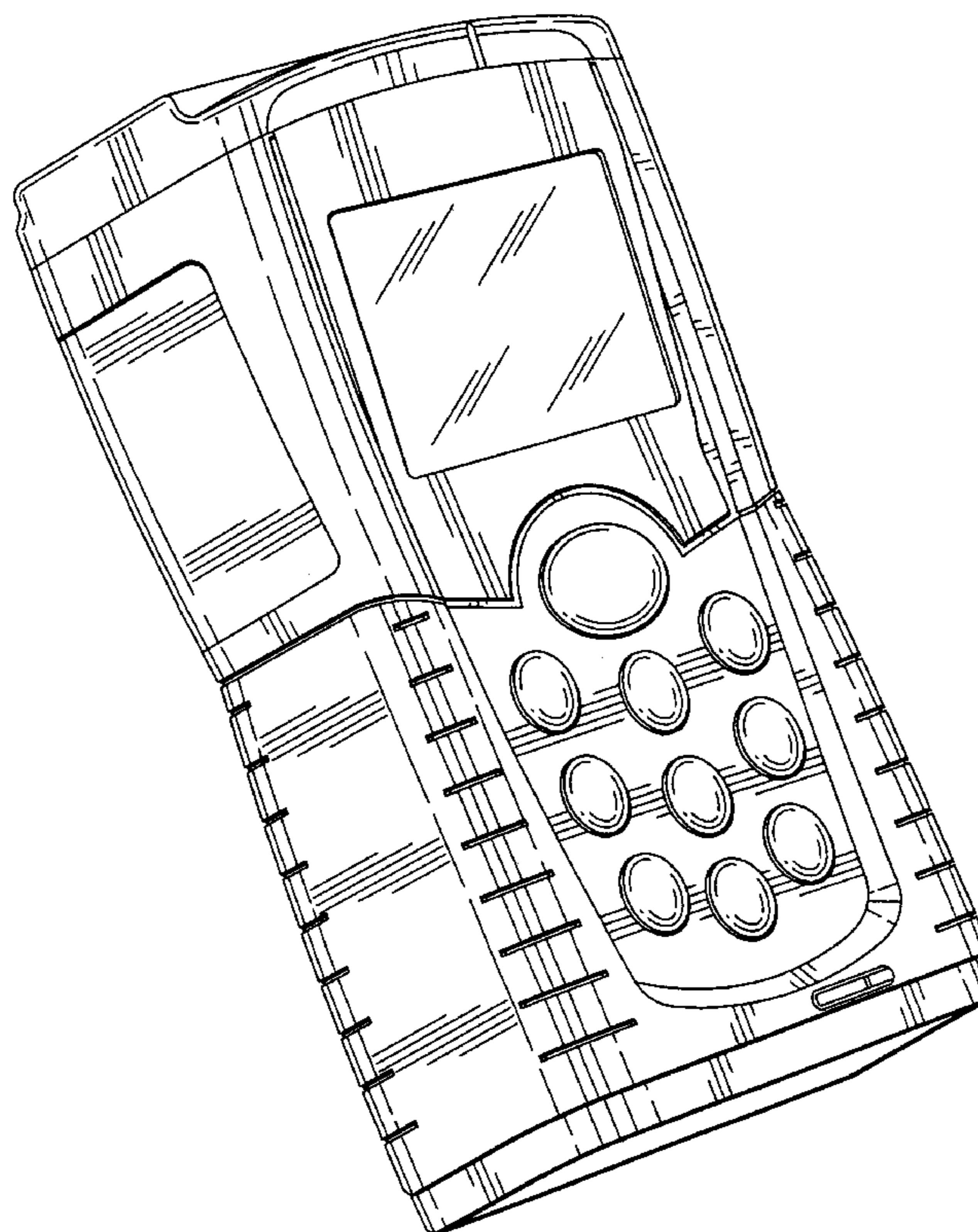
FIG. 4 is a rear view thereof;

FIG. 5 is the opposite side view of FIG. 3 thereof;

FIG. 6 is a top view thereof; and,

FIG. 7 is a bottom view thereof.

1 Claim, 4 Drawing Sheets



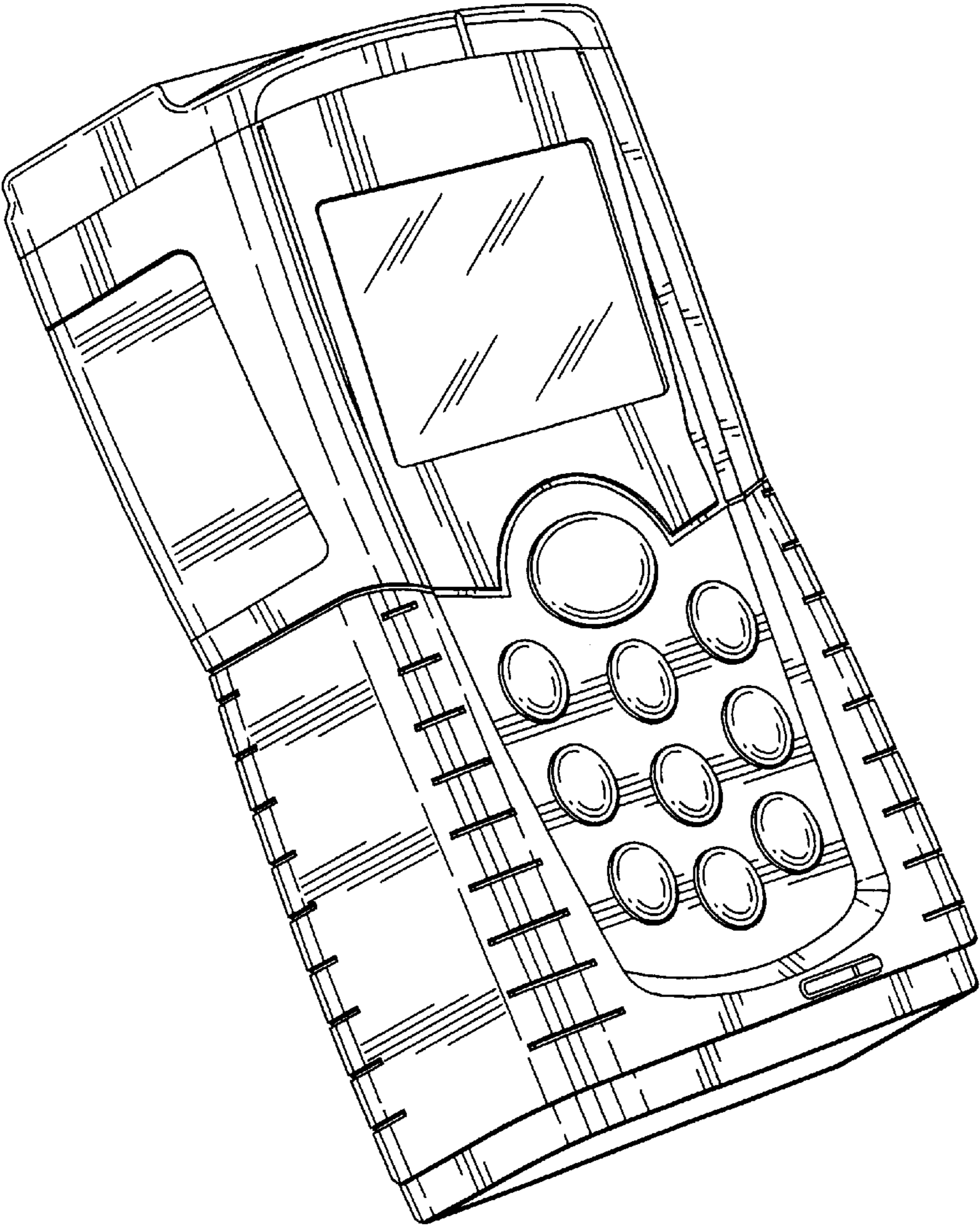


Fig. 1

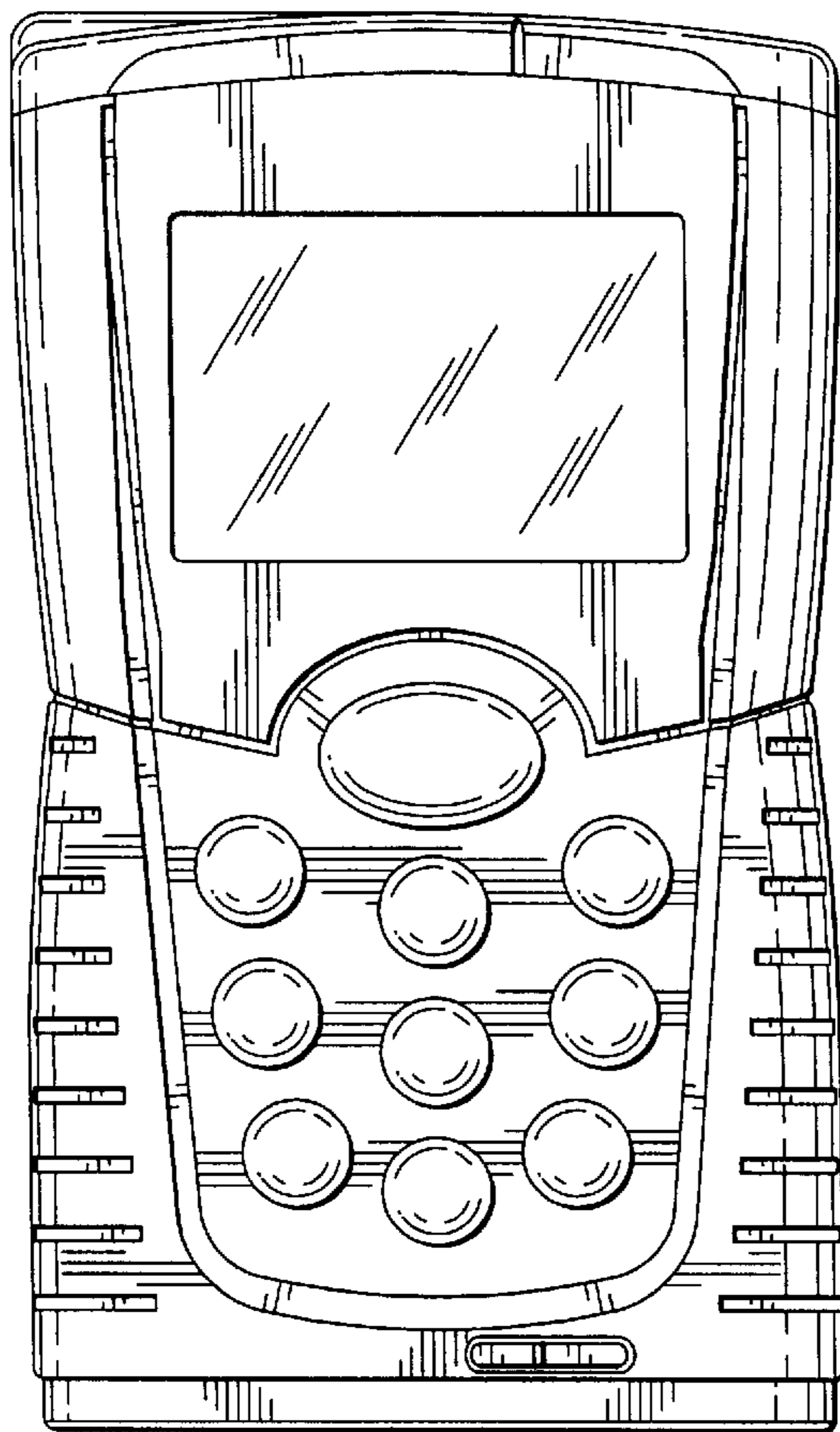


Fig. 2

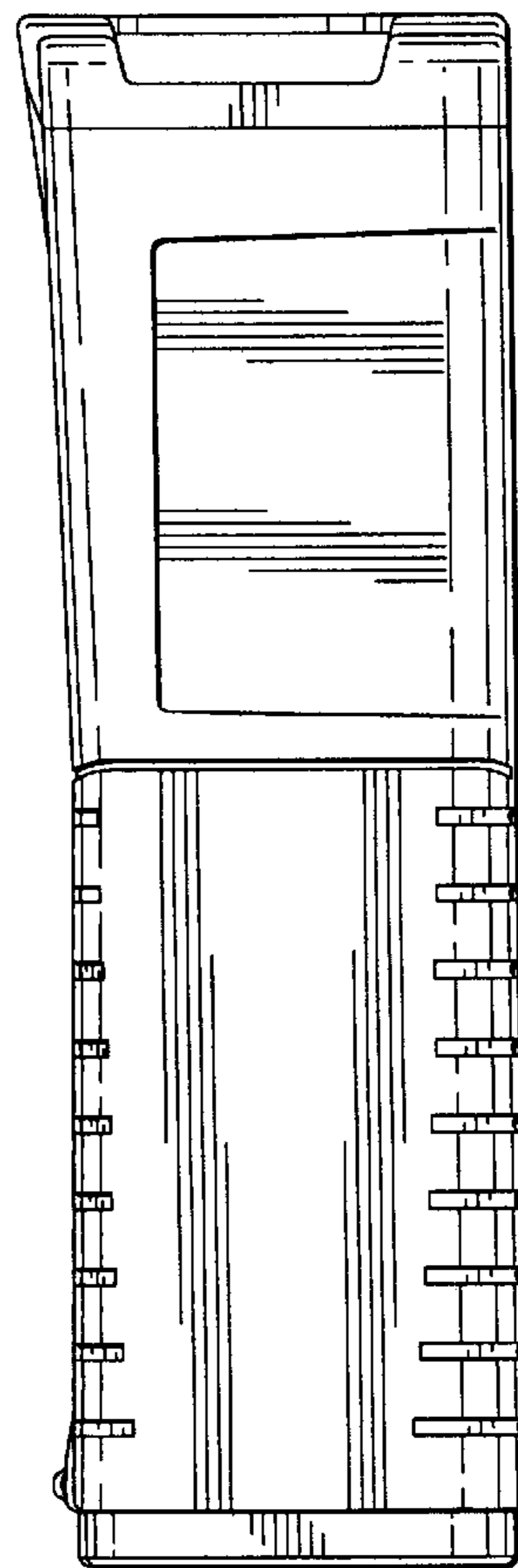


Fig. 3

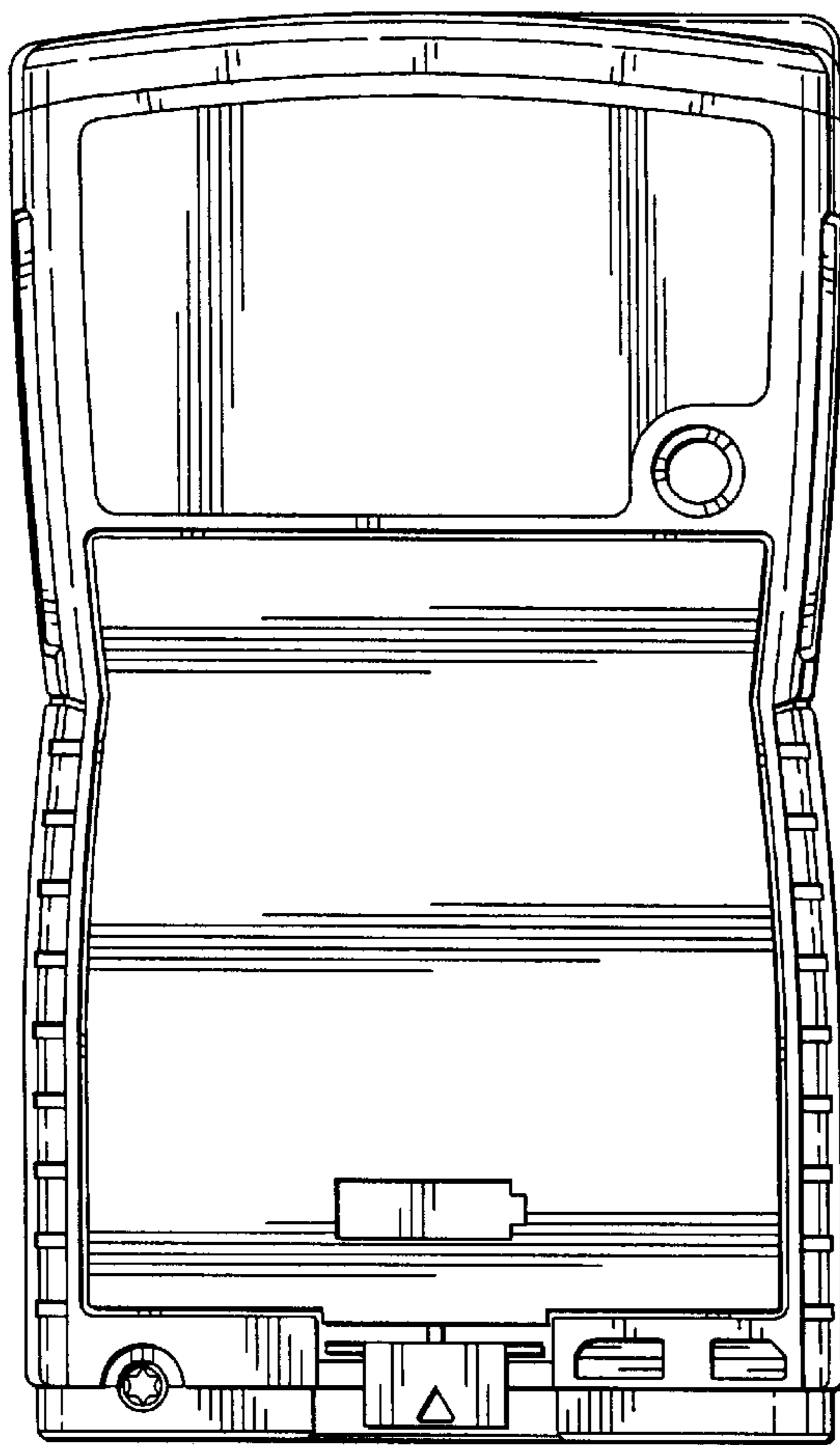


Fig. 4

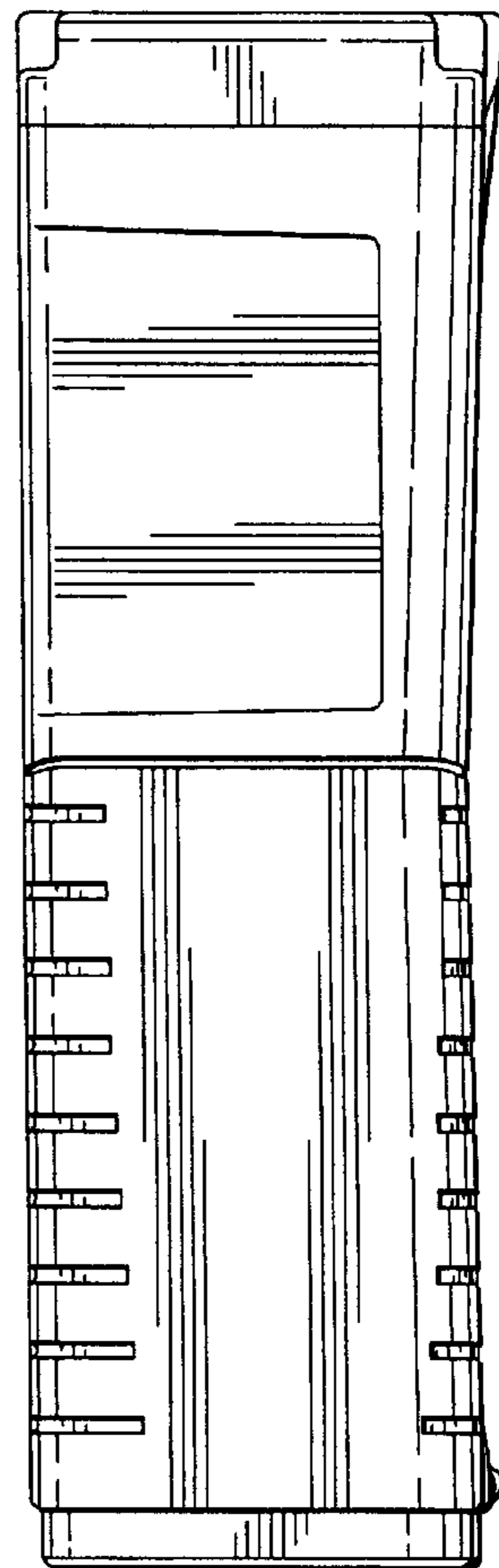


Fig. 5

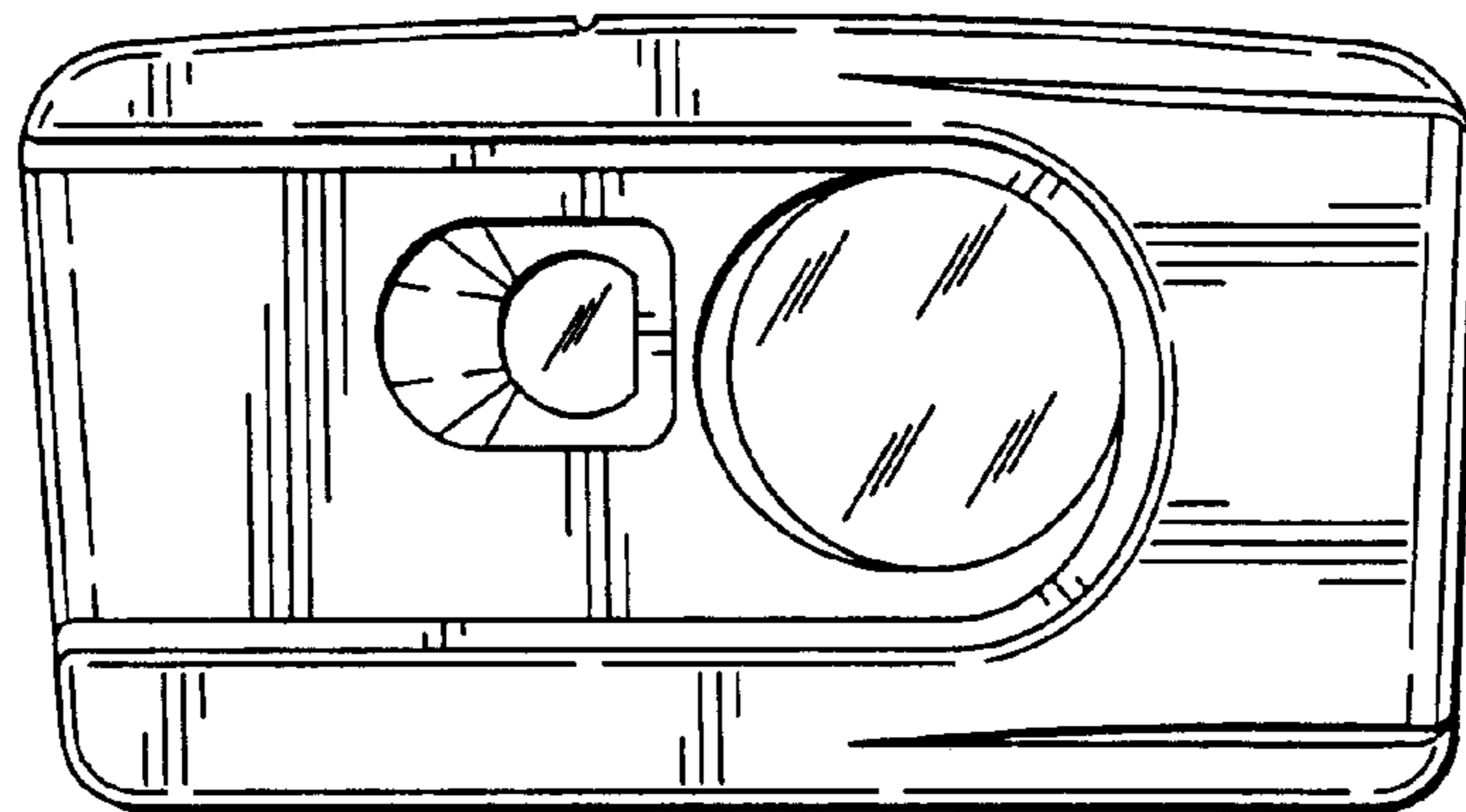


Fig. 6

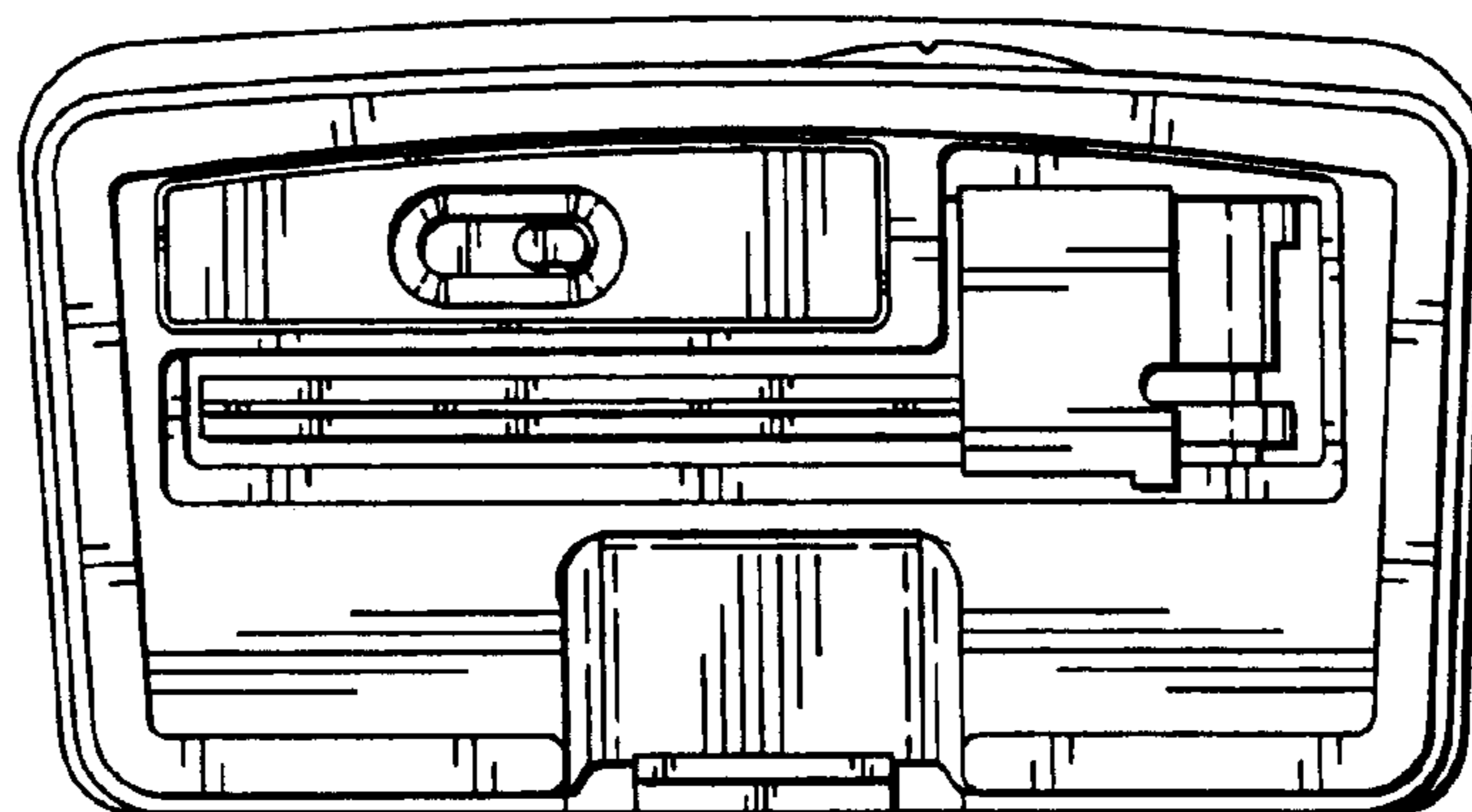


Fig. 7