



US00D538689S

(12) **United States Design Patent**  
**Baumgaertner**

(10) **Patent No.:** **US D538,689 S**

(45) **Date of Patent:** **\*\* Mar. 20, 2007**

(54) **LASER LINE GENERATING DEVICE**

(75) Inventor: **Klaus Baumgaertner**, Sindelfingen  
(DE)

(73) Assignee: **Robert Bosch GmbH**, Stuttgart (DE)

(\*\*) Term: **14 Years**

(21) Appl. No.: **29/254,947**

(22) Filed: **Mar. 2, 2006**

(30) **Foreign Application Priority Data**

Oct. 21, 2005 (DE) ..... 4 05 05 491

(51) **LOC (8) Cl.** ..... **10-04**

(52) **U.S. Cl.** ..... **D10/70; D10/69**

(58) **Field of Classification Search** ..... 356/3.01,  
356/4.01, 4.05, 5.01, 5.05, 5.06, 5.07, 5.08,  
356/5.09, 5.12, 6.15, 28.5, 345, 375, 128-155,  
356/399, 400; 385/83, 97, 98, 99, 134-139;  
701/211-213; 702/150, 158, 208; 264/1.24-1.25;  
D10/66, 69, 70; 33/276, 277, 281, 285, 286,  
33/290, 291-299, DIG. 21; 340/573.1-573.4,  
340/539, 825.36, 825.46, 825.49, 357.02,  
340/357.07-357.09

See application file for complete search history.

(56) **References Cited**

**U.S. PATENT DOCUMENTS**

D418,432 S \* 1/2000 Krantz ..... D10/69

D491,080 S \* 6/2004 Wu ..... D10/69  
2004/0187327 A1 \* 9/2004 Levine ..... 33/286  
2004/0258126 A1 \* 12/2004 Levine ..... 372/109  
2005/0246912 A1 \* 11/2005 Marshall et al. .... 33/286  
2005/0274030 A1 \* 12/2005 Spanski et al. .... 33/286  
2006/0017427 A1 \* 1/2006 Nash et al. .... 324/67

\* cited by examiner

*Primary Examiner*—Antoine D. Davis

*Assistant Examiner*—Patricia Palasik

(74) *Attorney, Agent, or Firm*—Michael J. Striker

(57) **CLAIM**

The ornamental design for a laser line generating device, as shown and described.

**DESCRIPTION**

FIG. 1 is a front and side perspective view of a laser line generating device showing my new design.

FIG. 2 is a side view thereof.

FIG. 3 is a front view thereof.

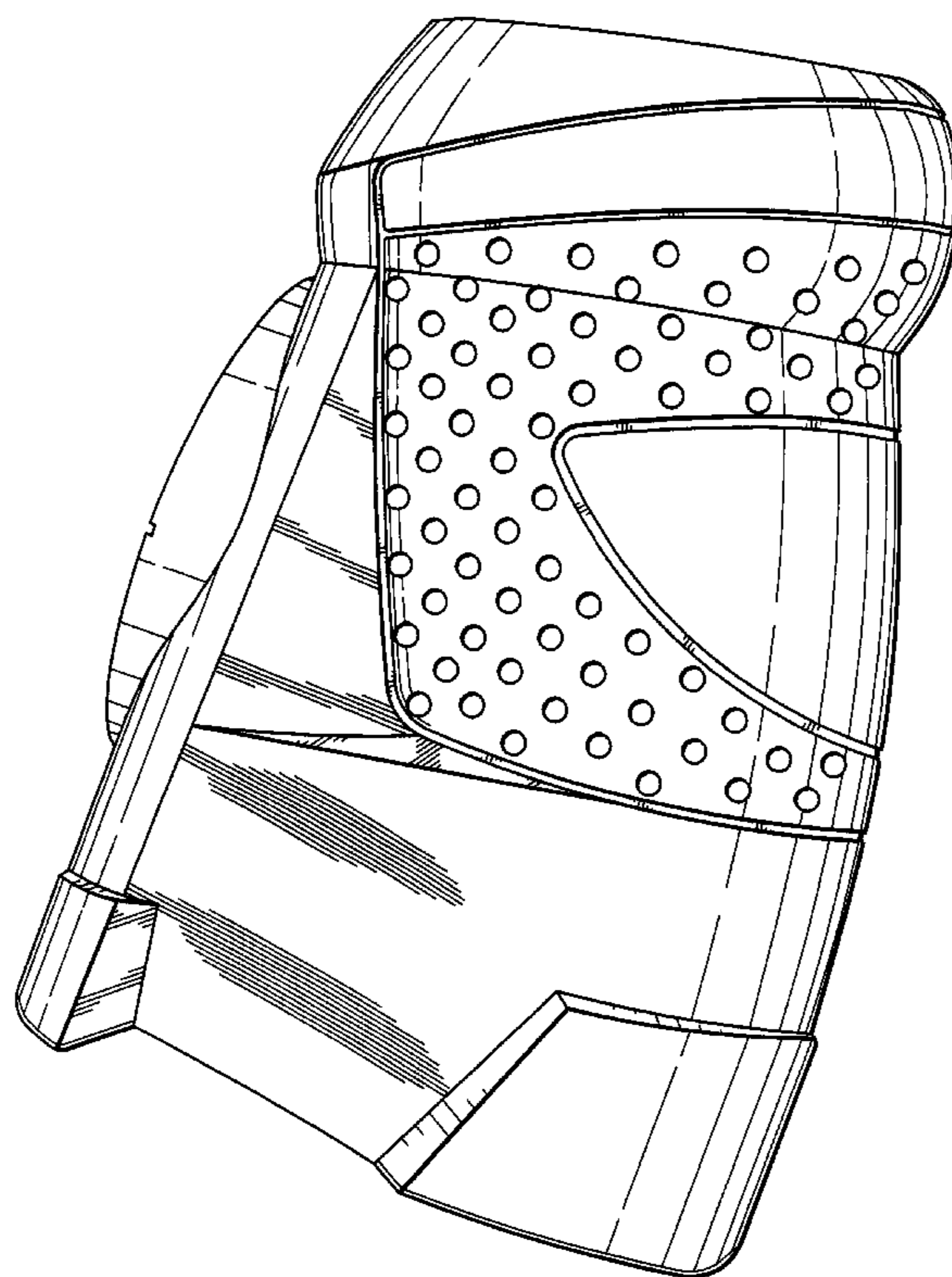
FIG. 4 is the opposite side view of FIG. 2 thereof.

FIG. 5 is a rear view thereof.

FIG. 6 is a top view thereof; and,

FIG. 7 is a bottom view thereof.

**1 Claim, 7 Drawing Sheets**



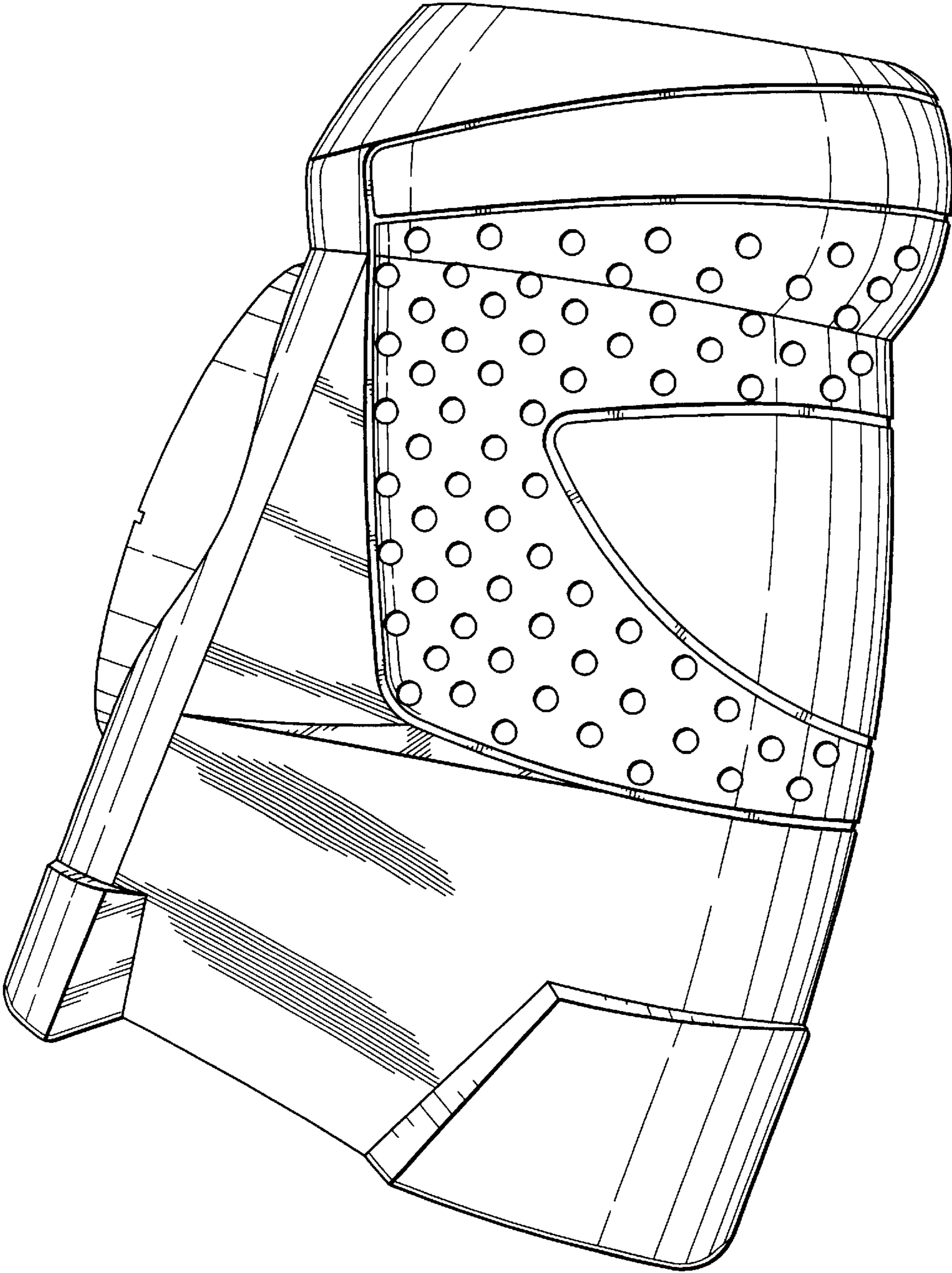


Fig. 1

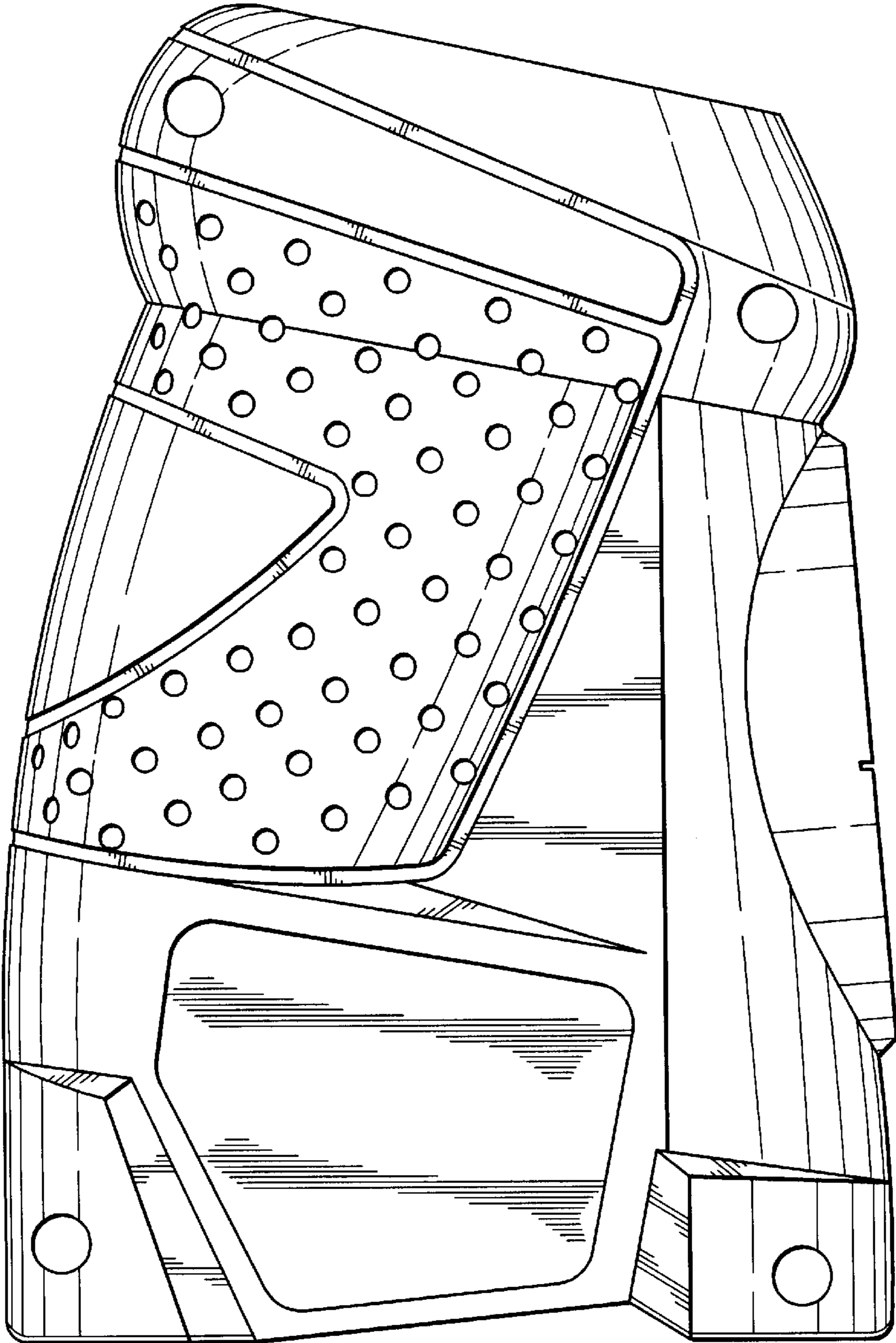
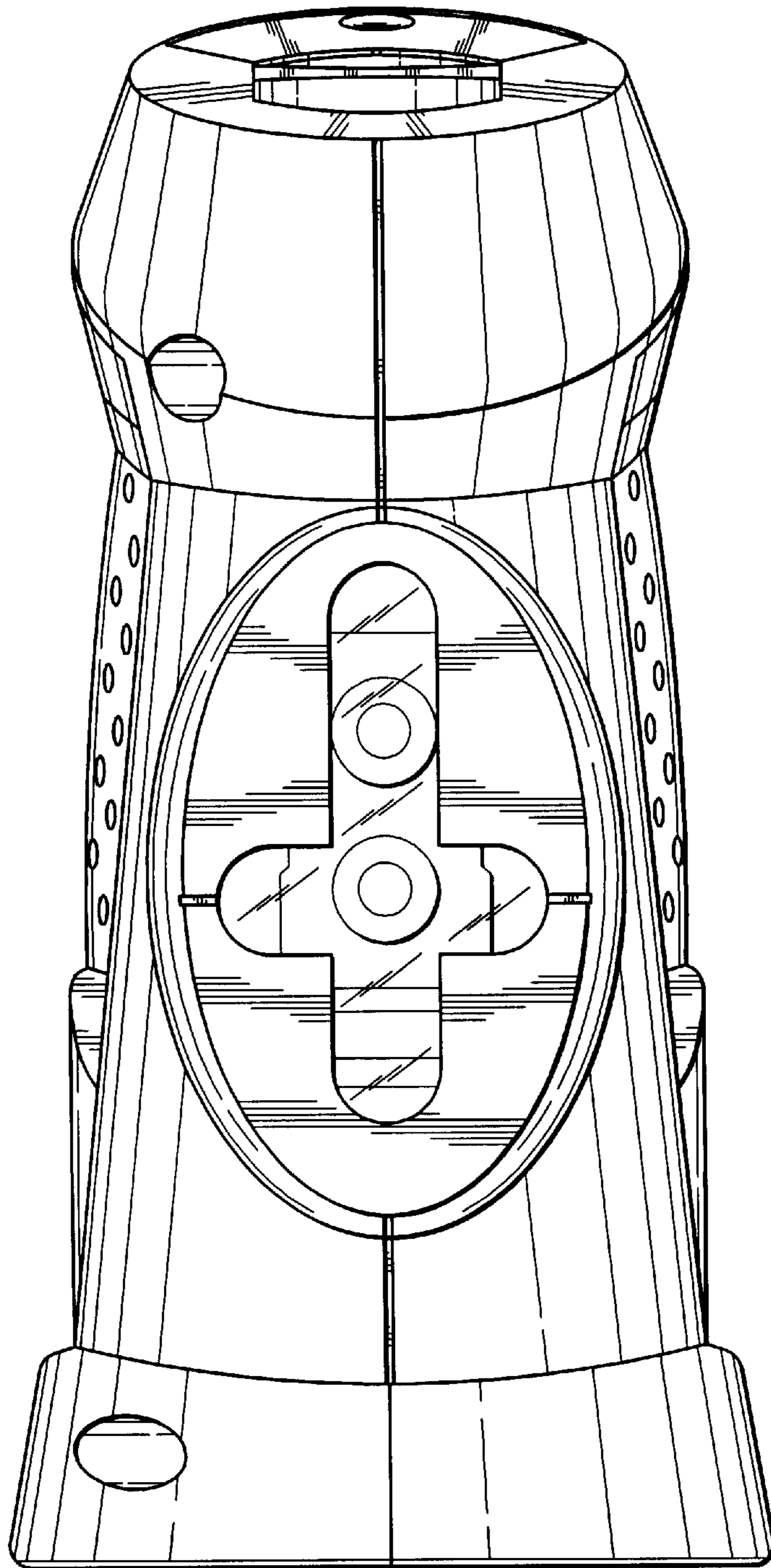


Fig. 2



**Fig. 3**

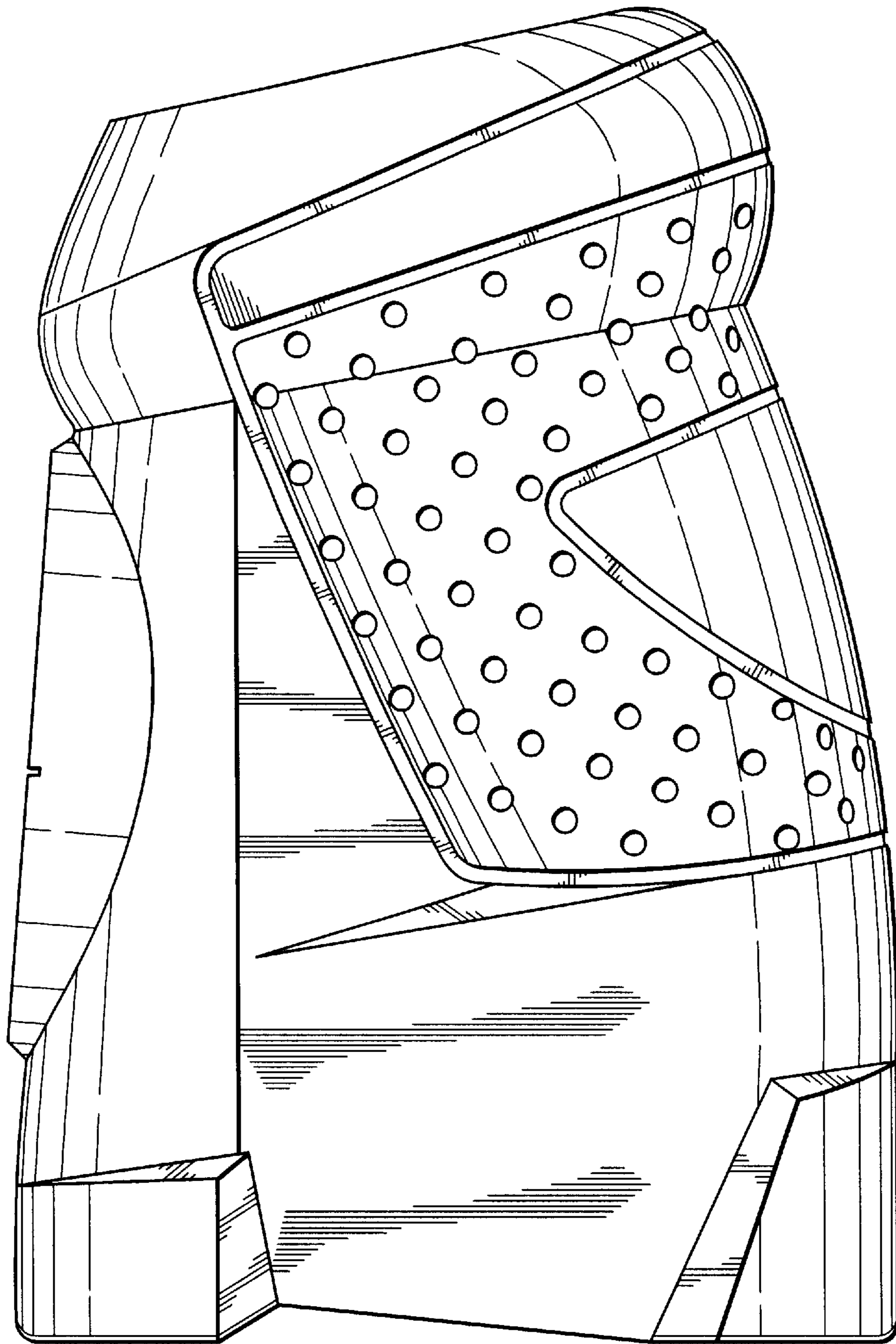


Fig. 4

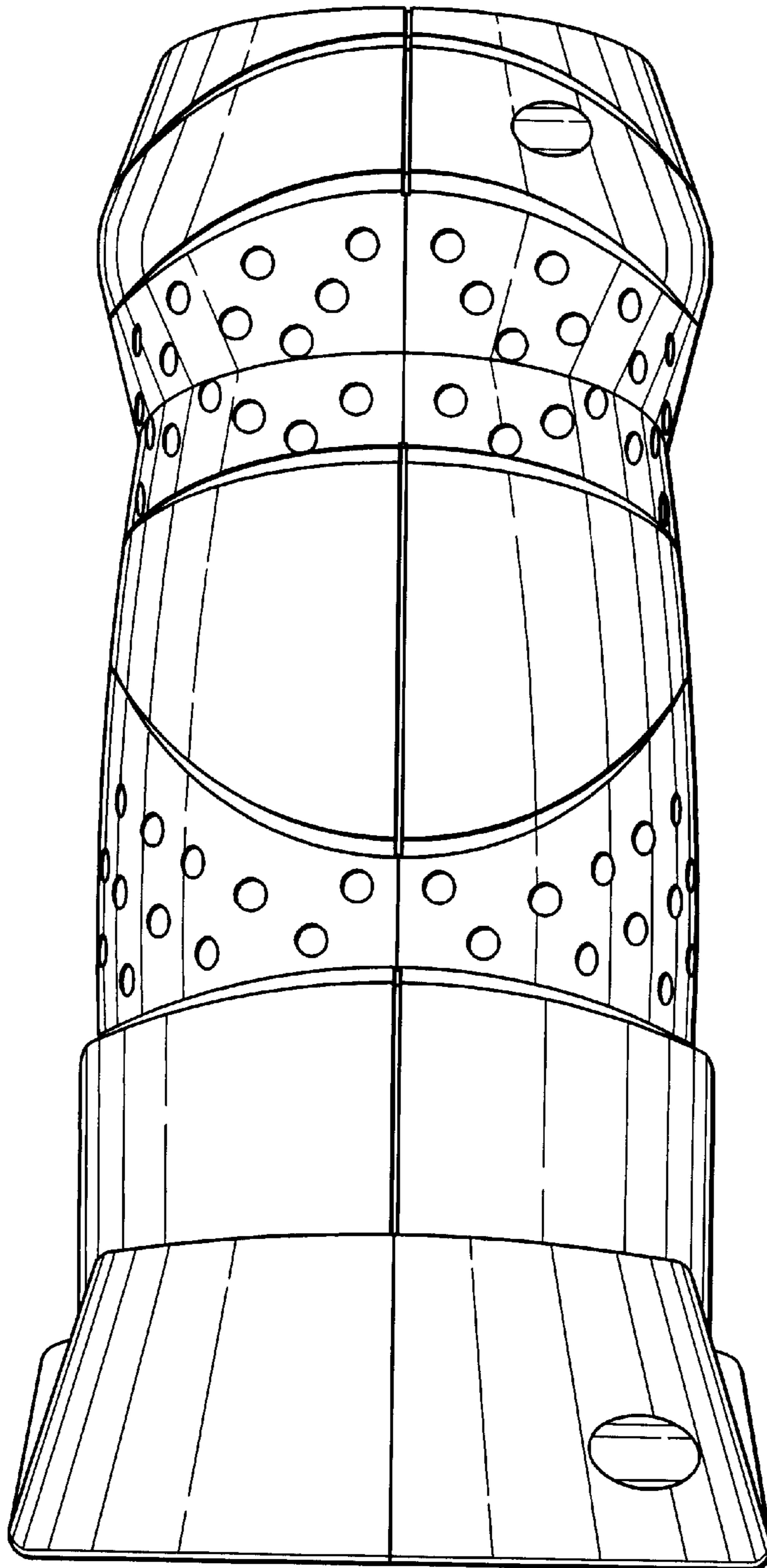


Fig. 5

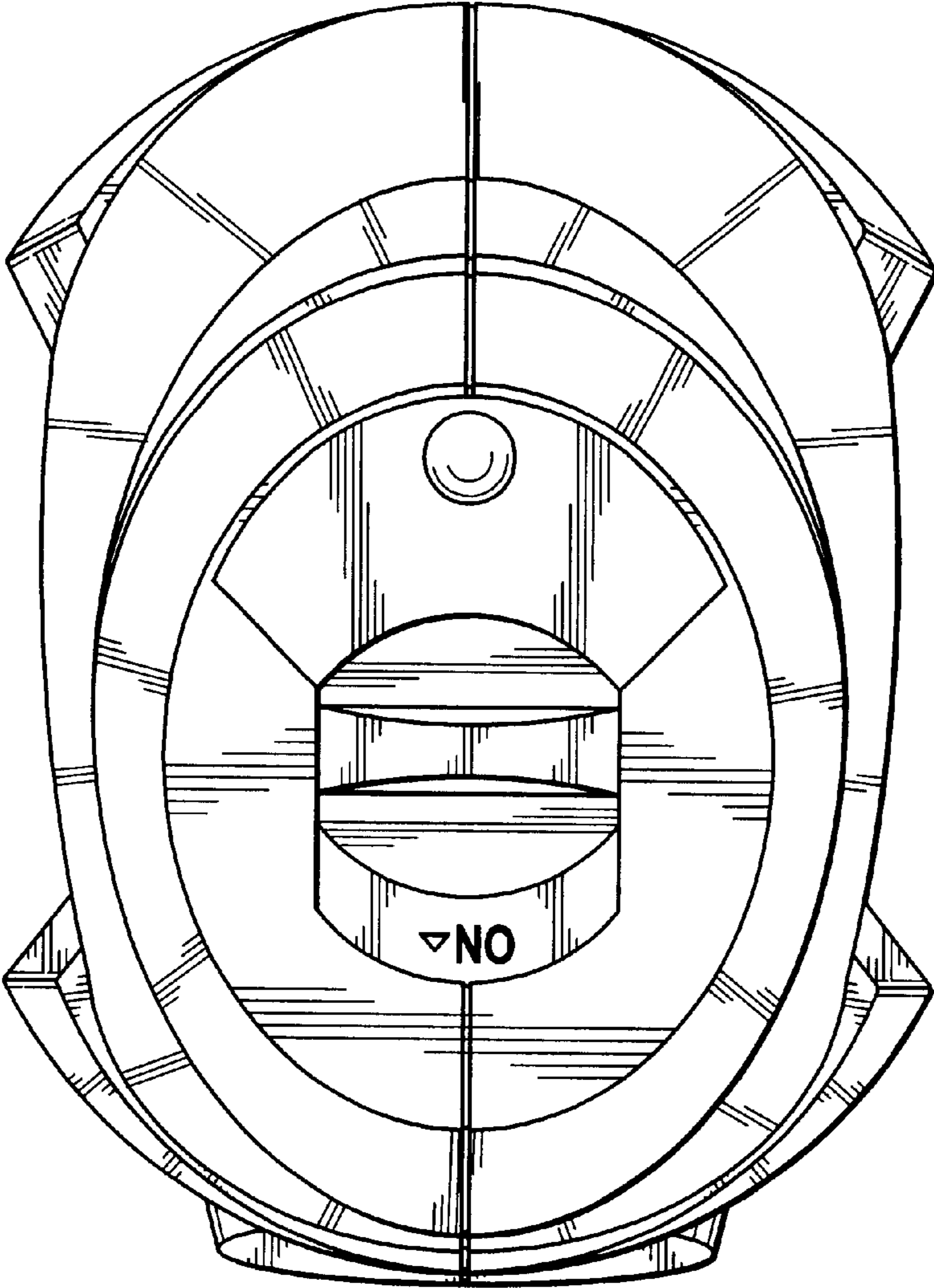


Fig. 6

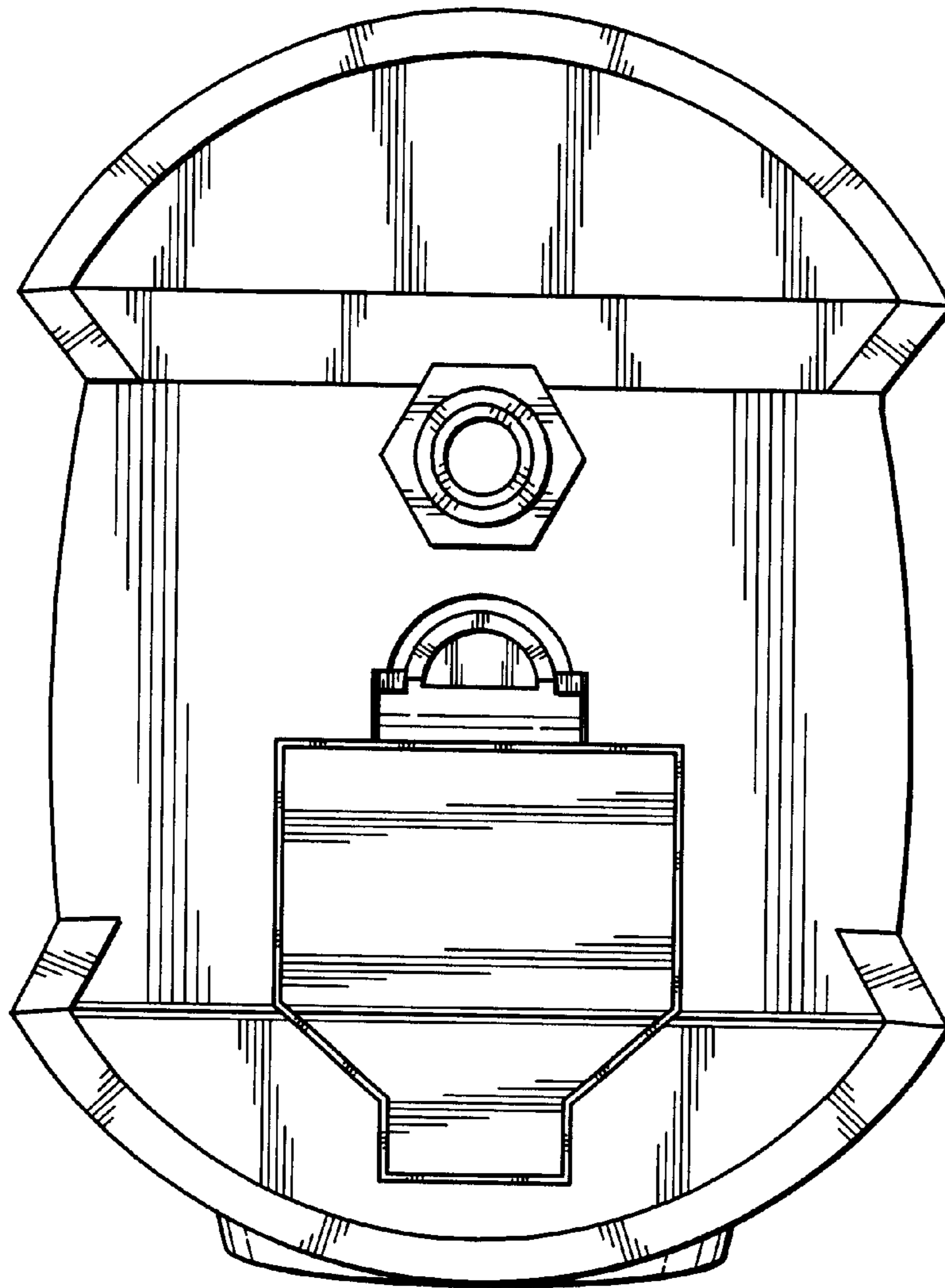


Fig. 7