

US00D538688S

(12) **United States Design Patent**
Snider

(10) **Patent No.:** **US D538,688 S**

(45) **Date of Patent:** **** Mar. 20, 2007**

(54) **LINE GENERATING DEVICE**

(75) Inventor: **Gregory S. Snider**, Bel Air, MD (US)

(73) Assignee: **Black & Decker Inc.**, Newark, DE (US)

(**) Term: **14 Years**

(21) Appl. No.: **29/244,480**

(22) Filed: **Dec. 9, 2005**

(51) **LOC (8) Cl.** **10-04**

(52) **U.S. Cl.** **D10/70; D10/69**

(58) **Field of Classification Search** D10/66,
D10/69, 70; 33/276, 277, 281, 285, 286,
33/290, 291-299, DIG. 21; 340/573.1-573.4,
340/539, 825.36, 825.46, 825.49, 357.02,
340/357.07-357.09; 356/3.01, 4.01, 4.05,
356/5.01, 5.05, 5.06, 5.07, 5.08, 5.09, 5.12,
356/6.15, 28.5, 345, 375, 128-155, 399,
356/400; 385/83, 97, 98, 99, 134-139; 701/211-213;
702/150, 158, 208; 264/1.24-1.25

See application file for complete search history.

(56) **References Cited**

U.S. PATENT DOCUMENTS

D491,080 S * 6/2004 Wu D10/69
D499,031 S * 11/2004 Liao D10/69
D508,424 S * 8/2005 Liu D10/69
2004/0187327 A1 * 9/2004 Levine 33/286

2004/0258126 A1 * 12/2004 Levine 372/109
2005/0246912 A1 * 11/2005 Marshall et al. 33/286
2005/0274030 A1 * 12/2005 Spanski et al. 33/286
2006/0017427 A1 * 1/2006 Nash et al. 324/67

* cited by examiner

Primary Examiner—Antoine D. Davis

Assistant Examiner—Patricia Palasik

(74) *Attorney, Agent, or Firm*—John Yun; Bruce Shapiro

(57) **CLAIM**

The ornamental design for a line generating device, as shown and described.

DESCRIPTION

FIG. 1 is a perspective view of a line generating device according to the present invention;

FIG. 2 is a front view of the line generating device of FIG. 1;

FIG. 3 is a rear view of the line generating device of FIG. 1;

FIG. 4 is a right side view of the line generating device of FIG. 1;

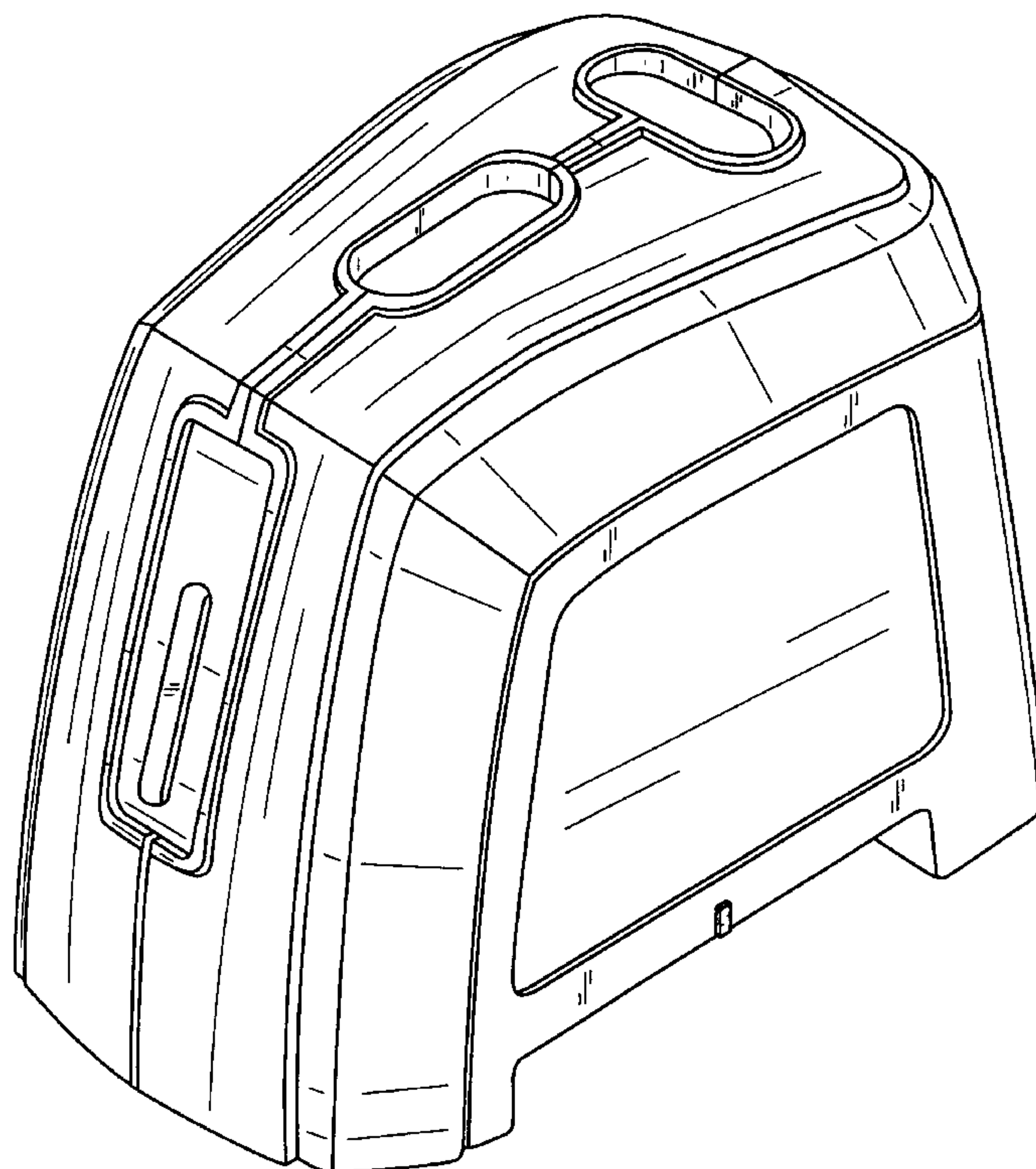
FIG. 5 is a left side view of the line generating device of FIG. 1;

FIG. 6 is a top view of the line generating device of FIG. 1;

FIG. 7 is a bottom view of the line generating device of FIG. 1; and,

FIG. 8 is a perspective view of the line generating device of FIG. 1 attached to a mounting platform.

1 Claim, 8 Drawing Sheets



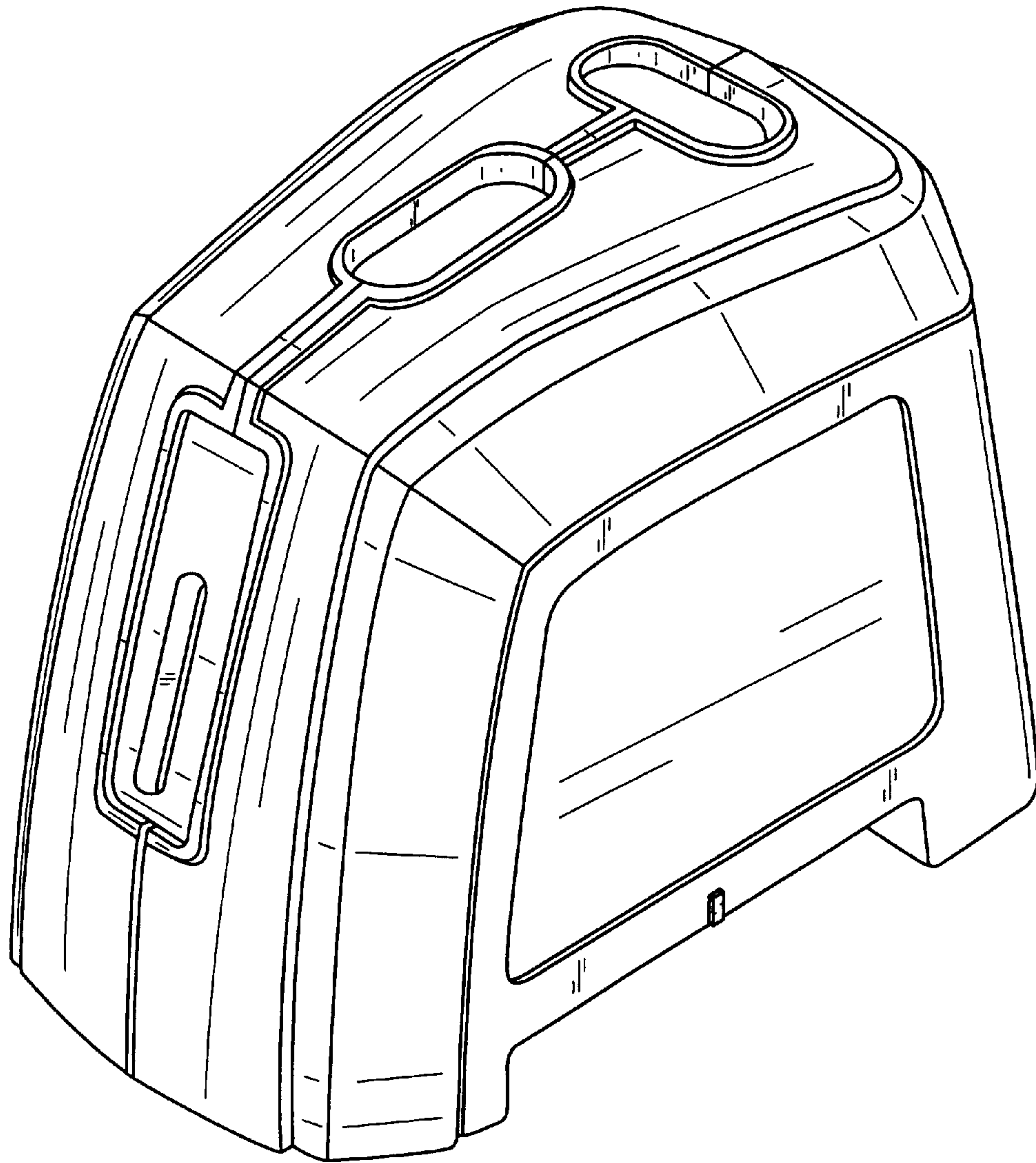


FIG. 1

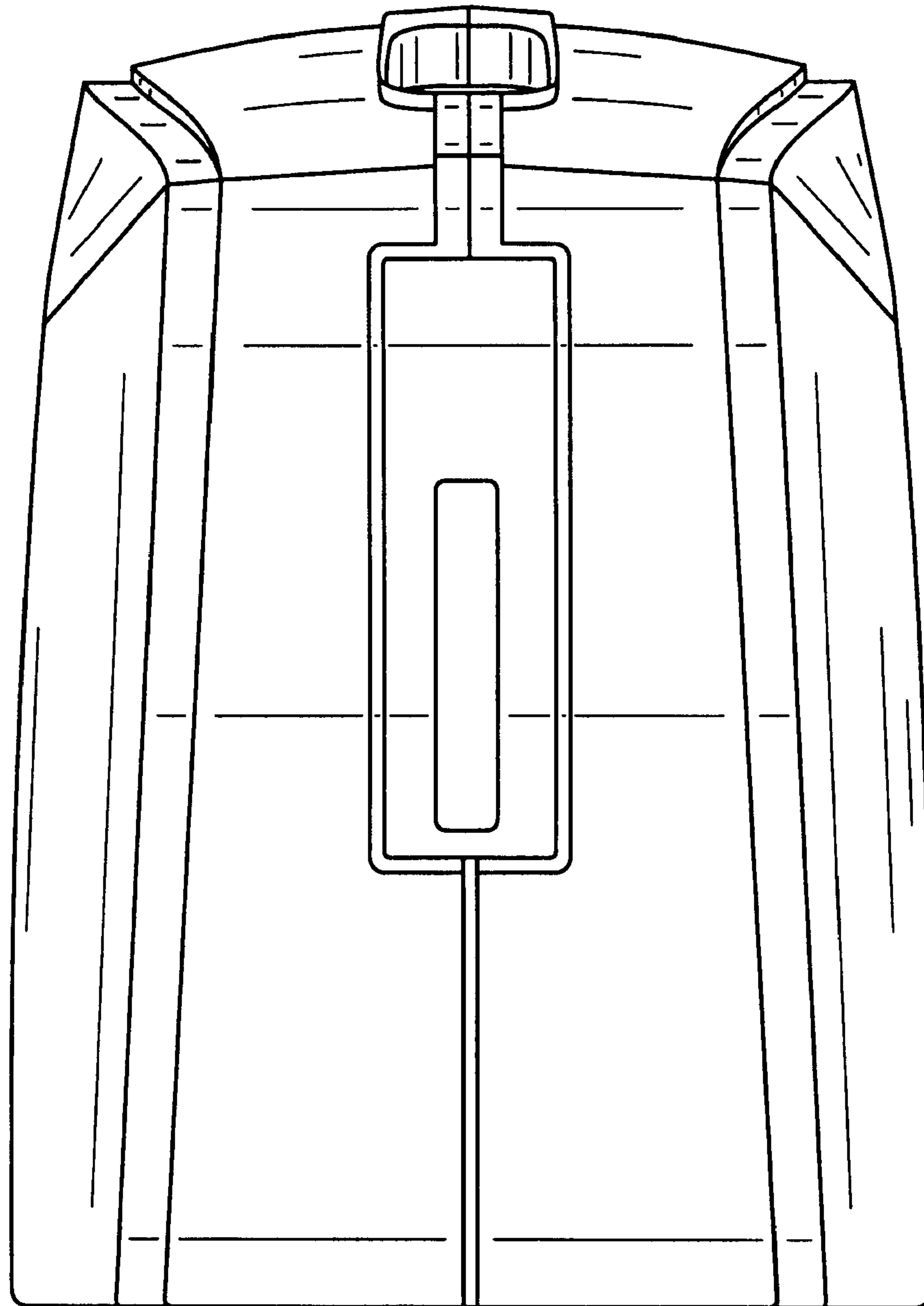


FIG. 2

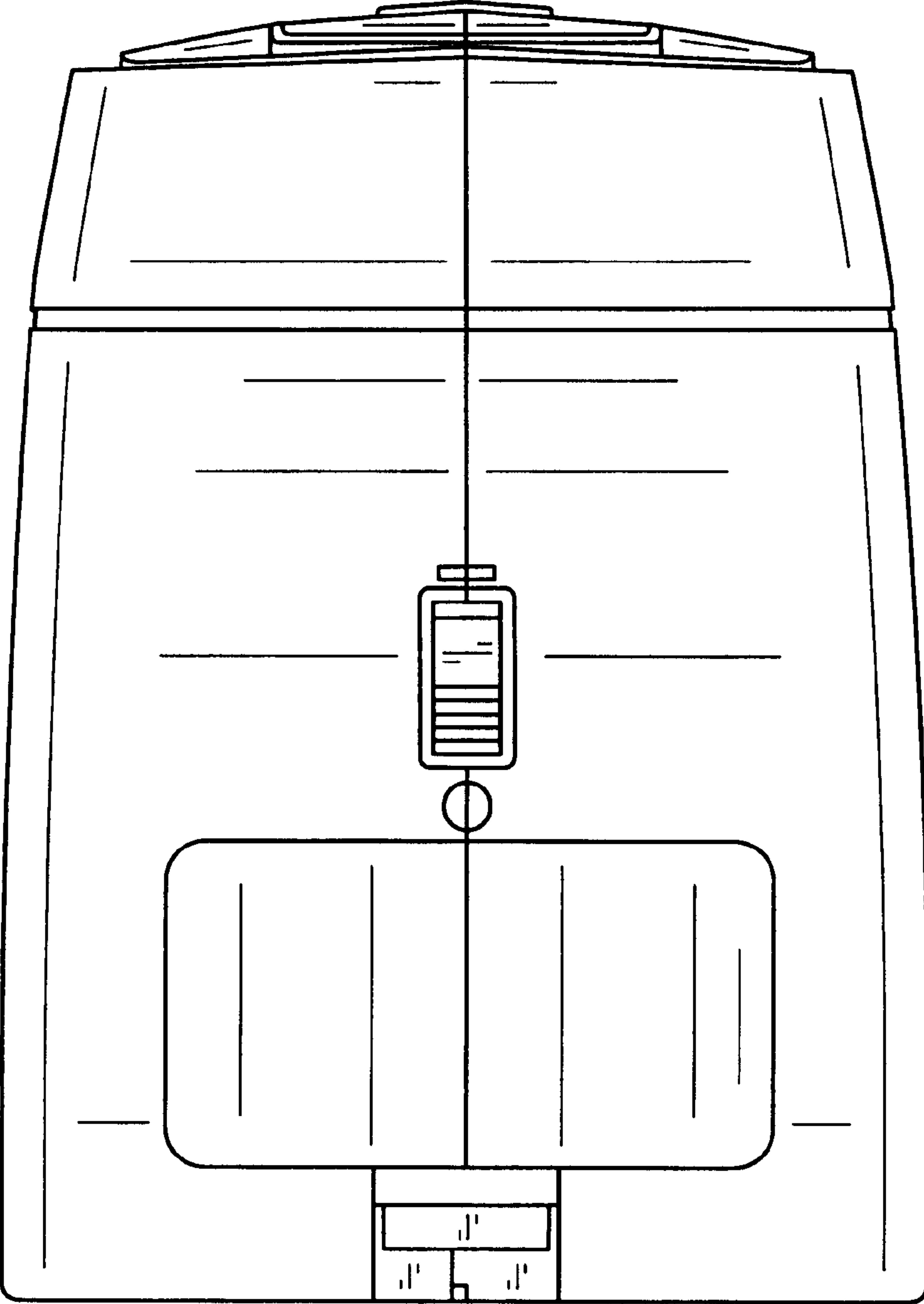


FIG. 3

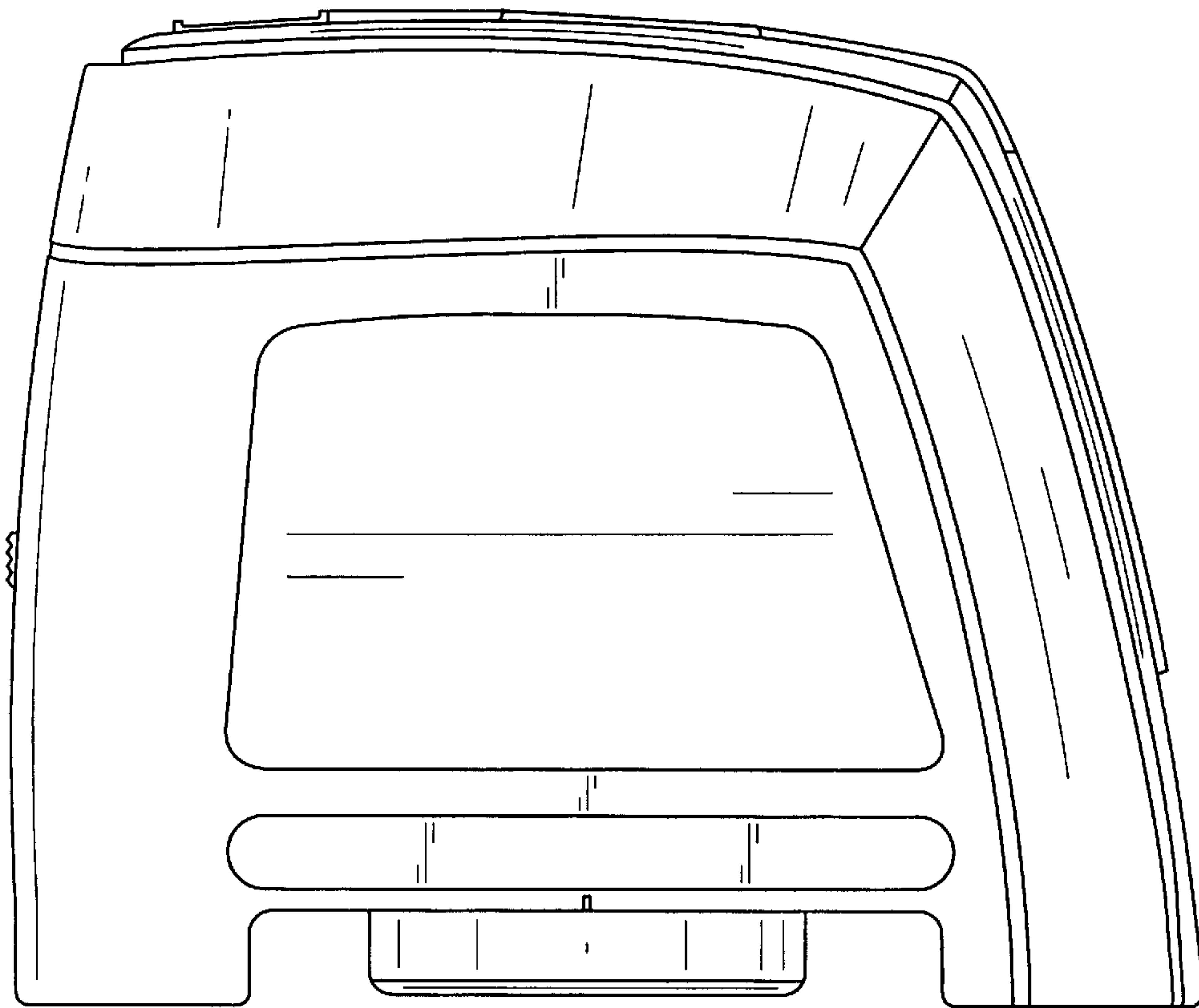


FIG. 4

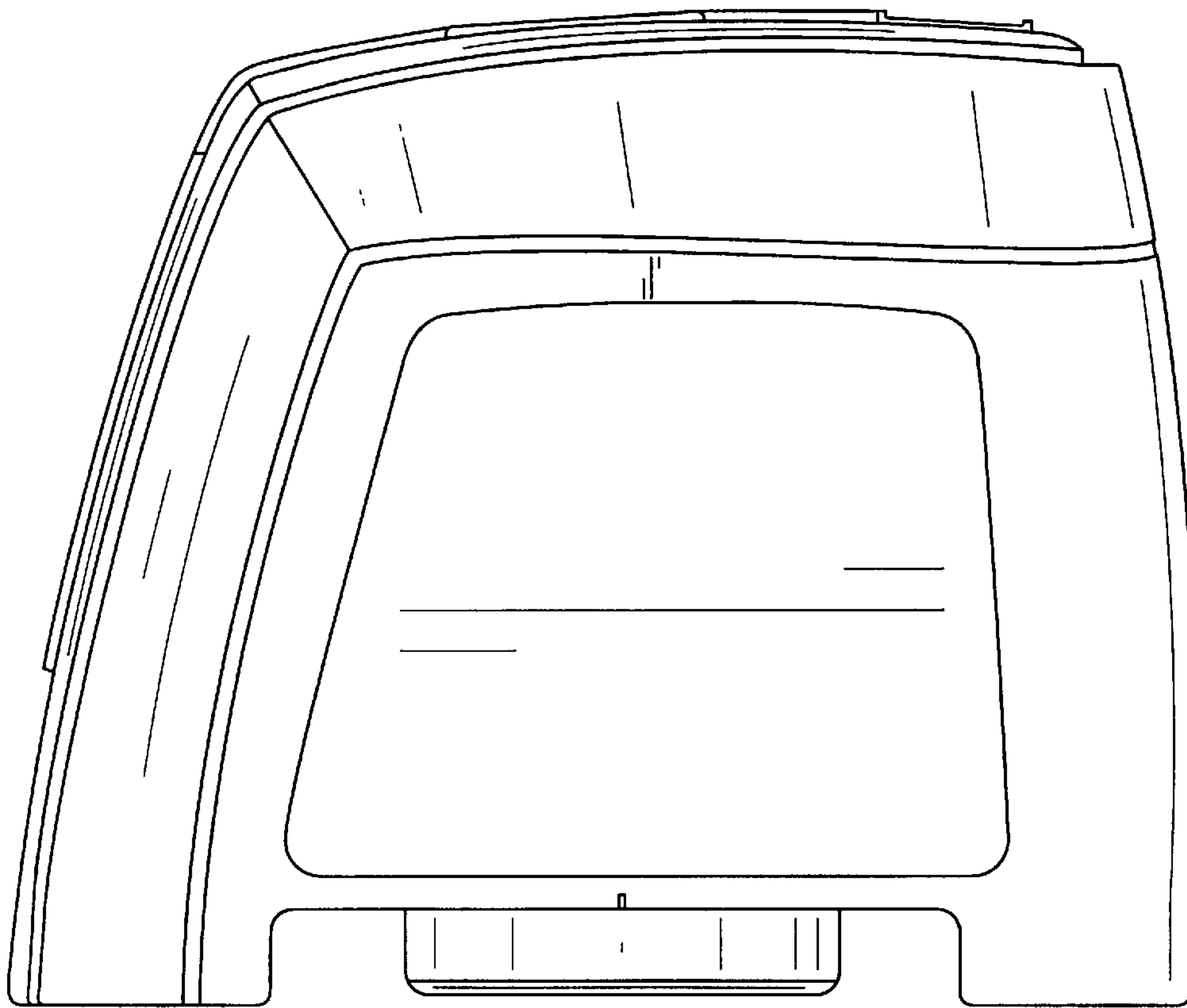


FIG. 5

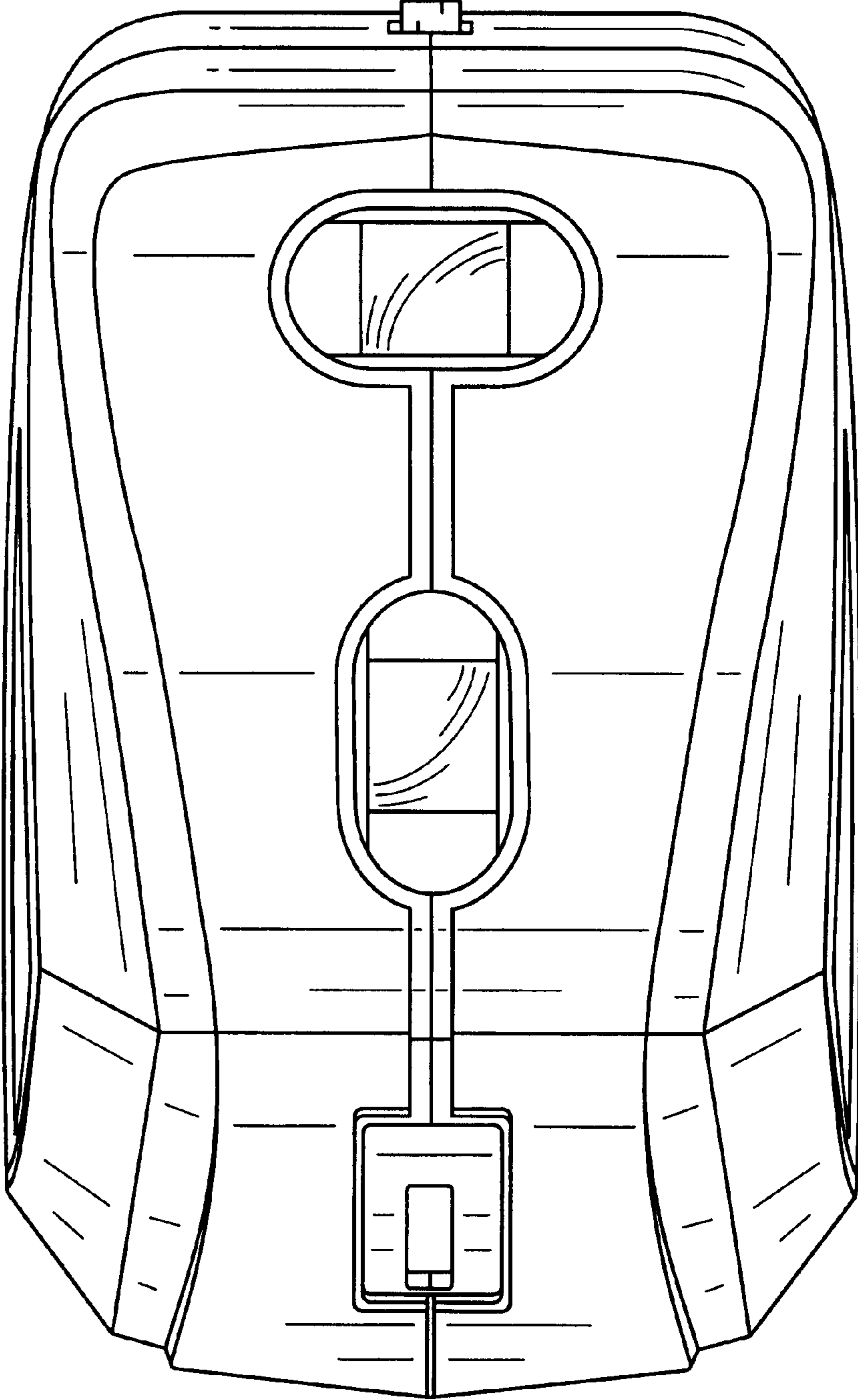


FIG. 6

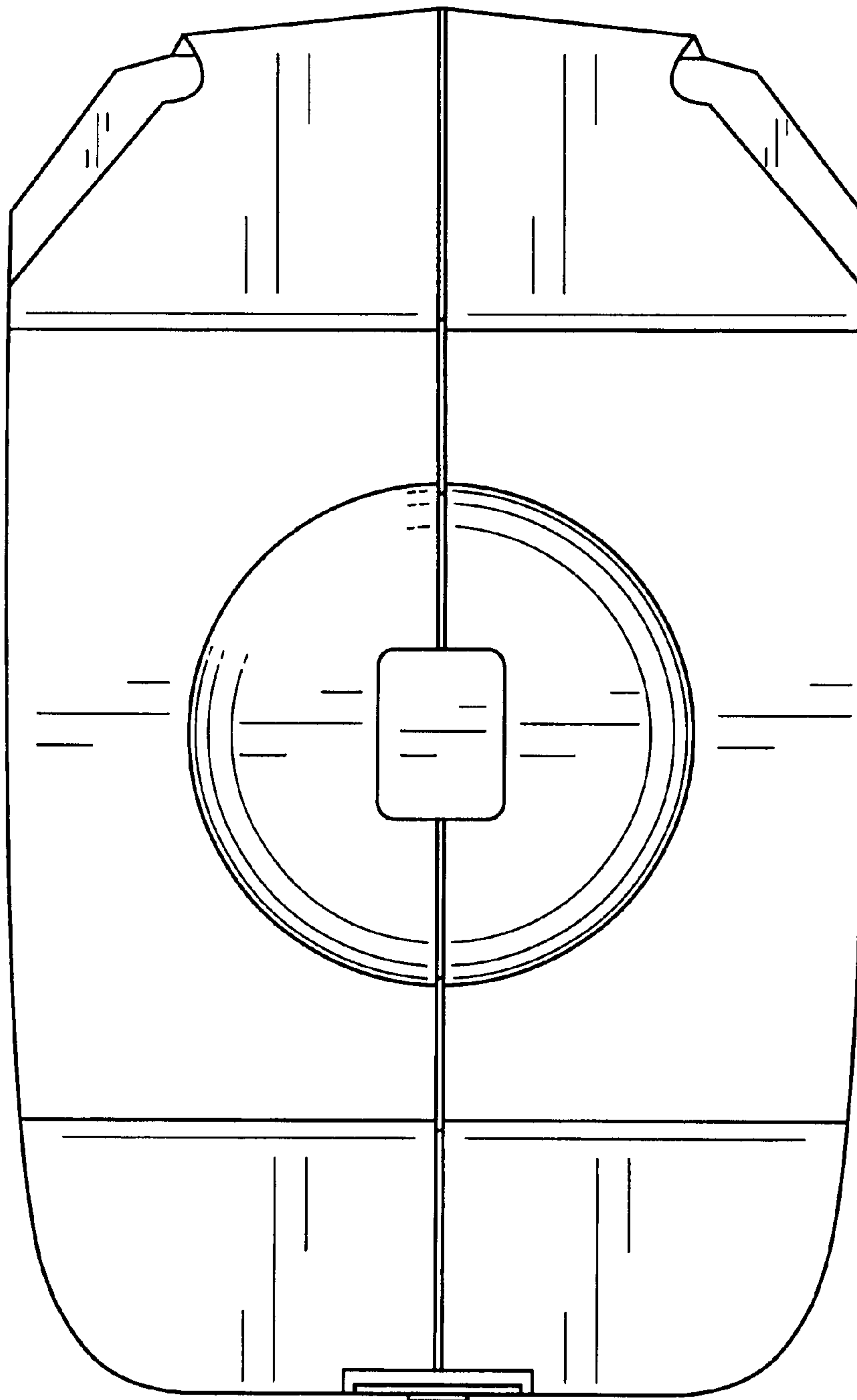


FIG. 7

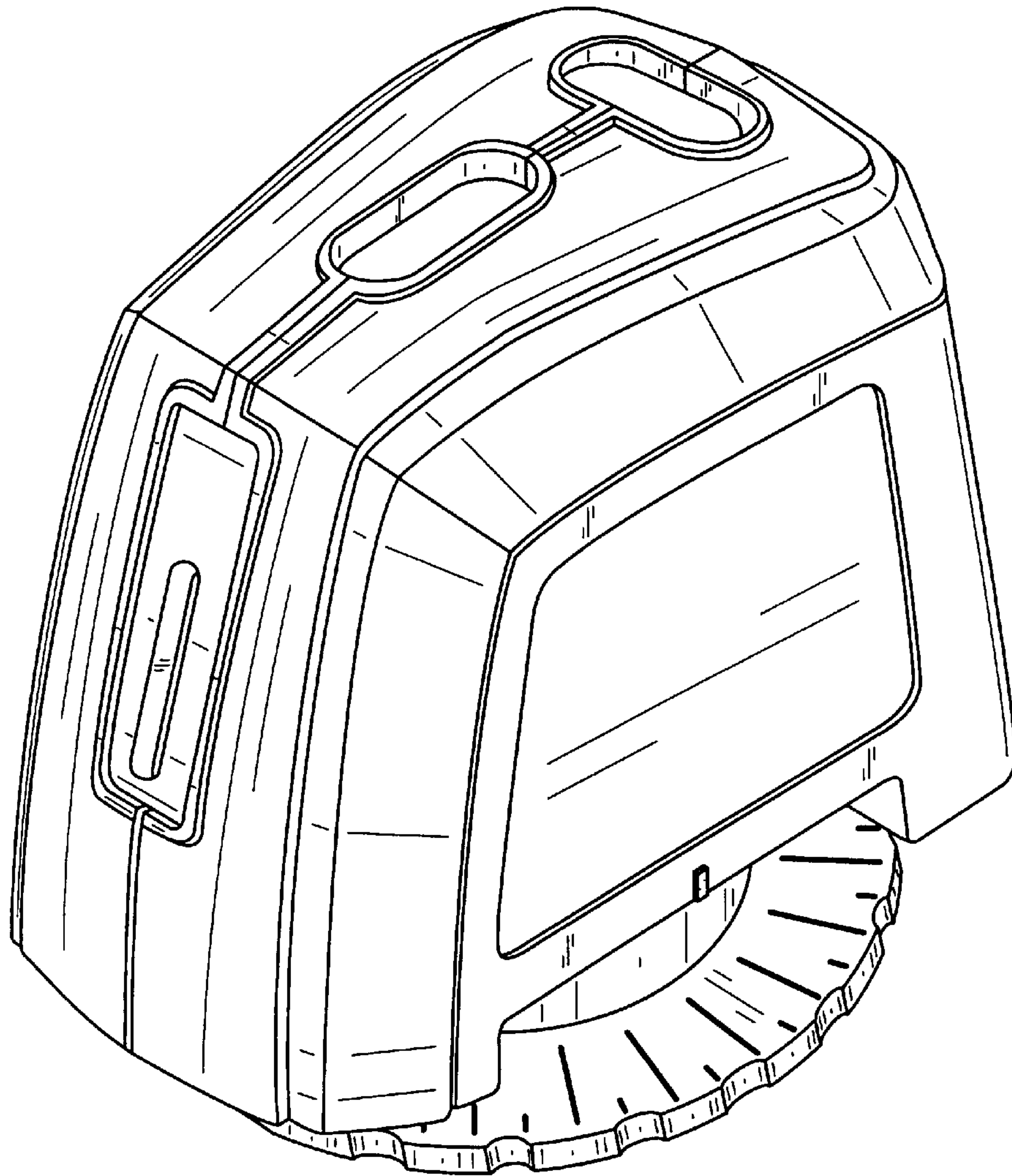


FIG. 8