

US00D538685S

(12) **United States Design Patent**
Lin

(10) **Patent No.:** **US D538,685 S**

(45) **Date of Patent:** **** Mar. 20, 2007**

(54) **LASER LEVELER**

D508,424 S * 8/2005 Liu D10/69
D523,363 S * 6/2006 Wu D10/69

(75) Inventor: **Golden Lin, Sijhih (TW)**

* cited by examiner

(73) Assignee: **Quarton Inc., Taipei County (TW)**

Primary Examiner—Antoine D. Davis

Assistant Examiner—Patricia Palasik

(**) Term: **14 Years**

(74) *Attorney, Agent, or Firm*—Troxell Law Office, PLLC

(21) Appl. No.: **29/258,211**

(57) **CLAIM**

(22) Filed: **Apr. 19, 2006**

The ornamental design for a laser leveler, as shown and described.

(51) **LOC (8) Cl.** **10-04**

(52) **U.S. Cl.** **D10/69**

(58) **Field of Classification Search** D10/69,
D10/74; 33/365, 366.11–366.27, 367–391
See application file for complete search history.

DESCRIPTION

FIG. 1 is a perspective view of laser leveler showing my design;

FIG. 2 is a front side view thereof;

FIG. 3 is a left side view thereof;

FIG. 4 is a top side view thereof;

FIG. 5 is a rear side view thereof;

FIG. 6 is a right side view thereof; and,

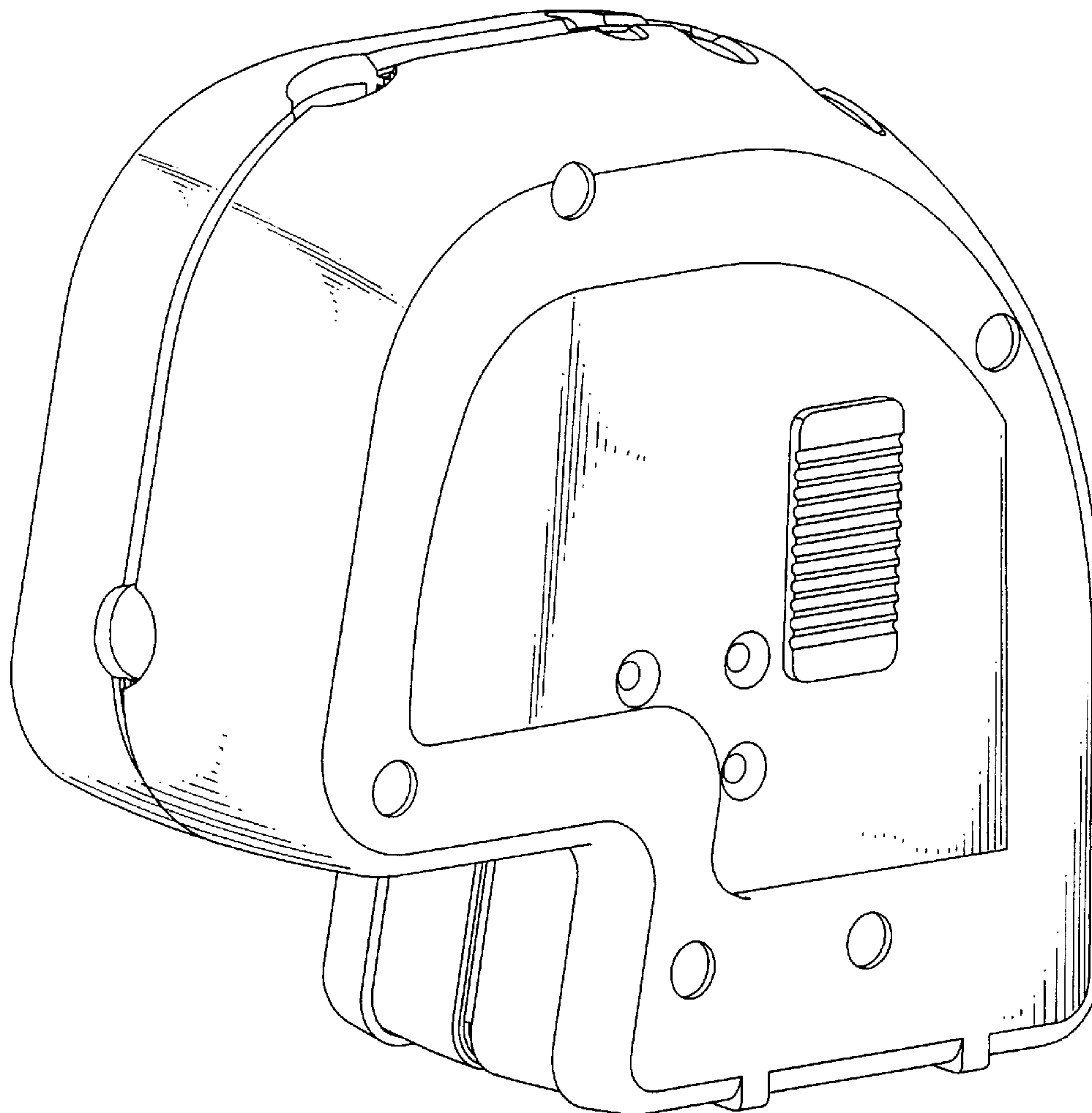
FIG. 7 is a bottom side view thereof.

(56) **References Cited**

U.S. PATENT DOCUMENTS

D499,031 S * 11/2004 Liao D10/69
D500,734 S * 1/2005 Puri et al. D10/69
D508,423 S * 8/2005 Liu D10/69

1 Claim, 7 Drawing Sheets



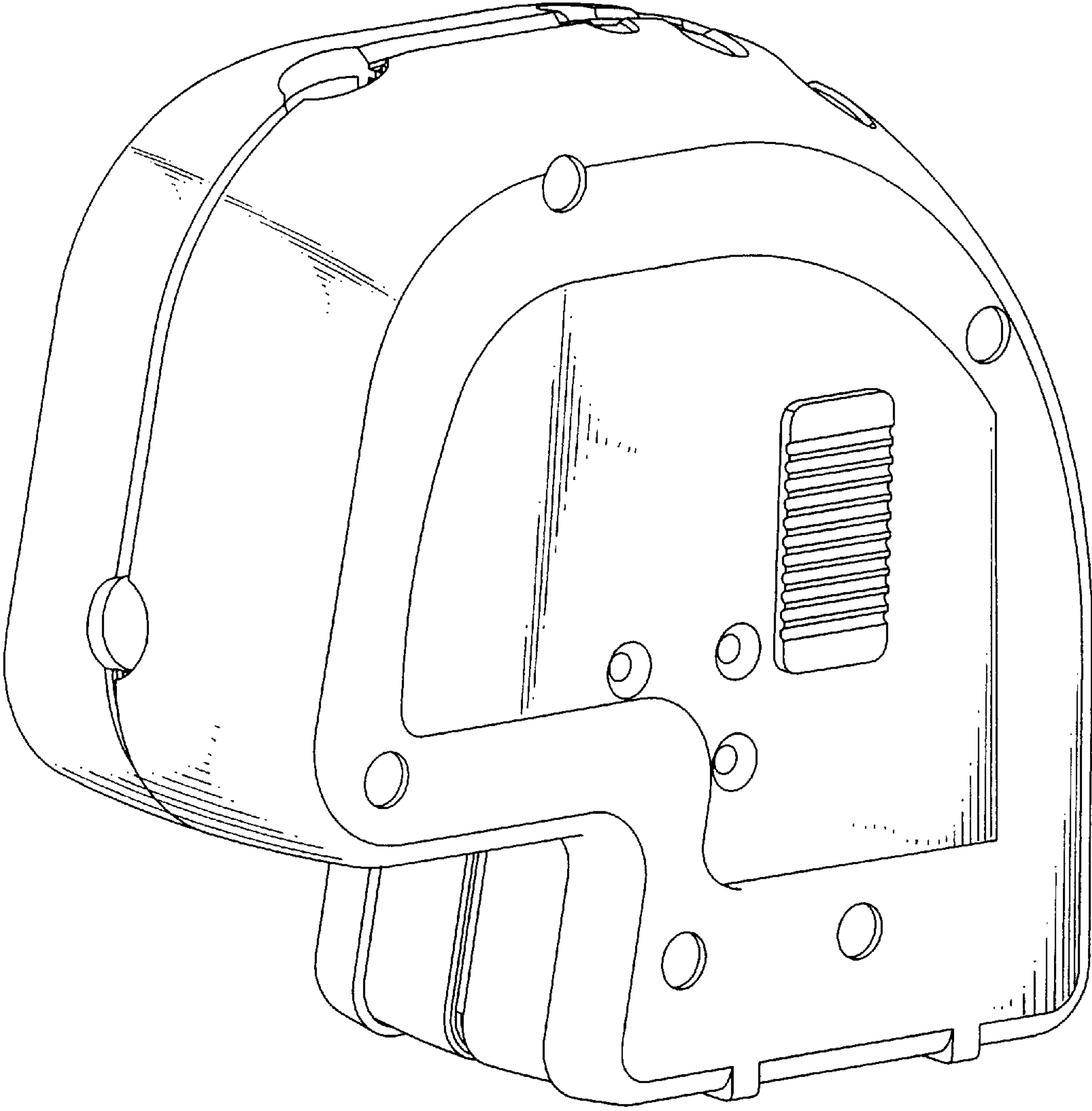


FIG. 1

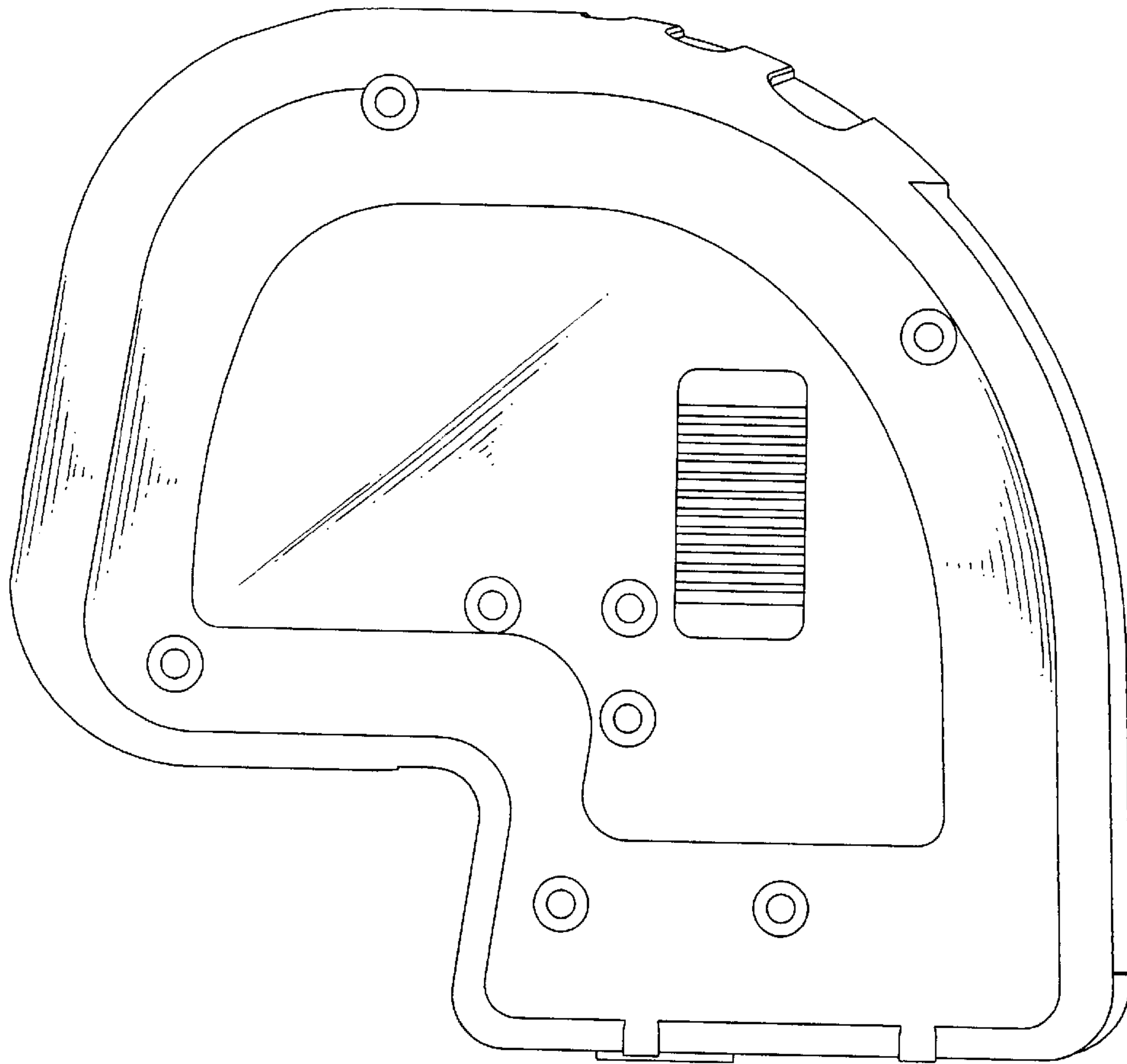


FIG. 2

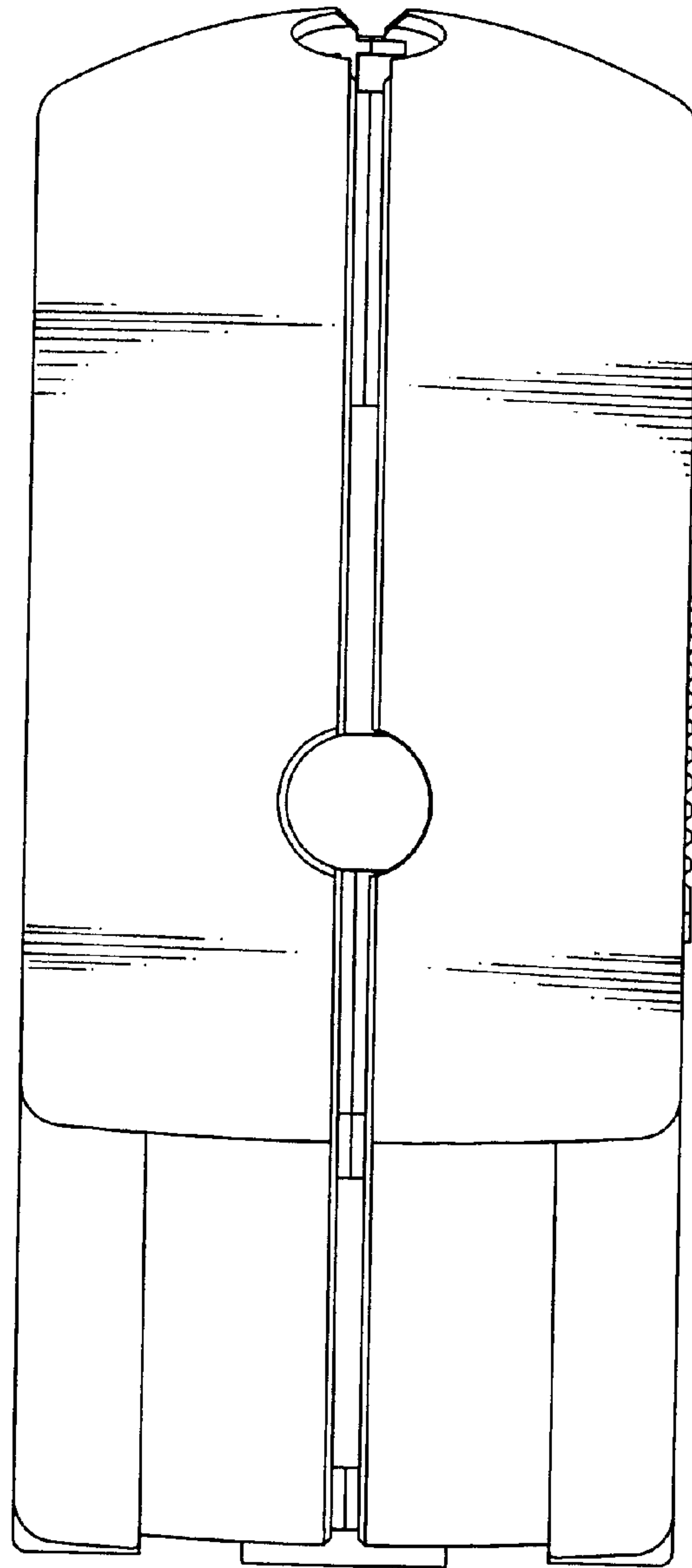


FIG. 3

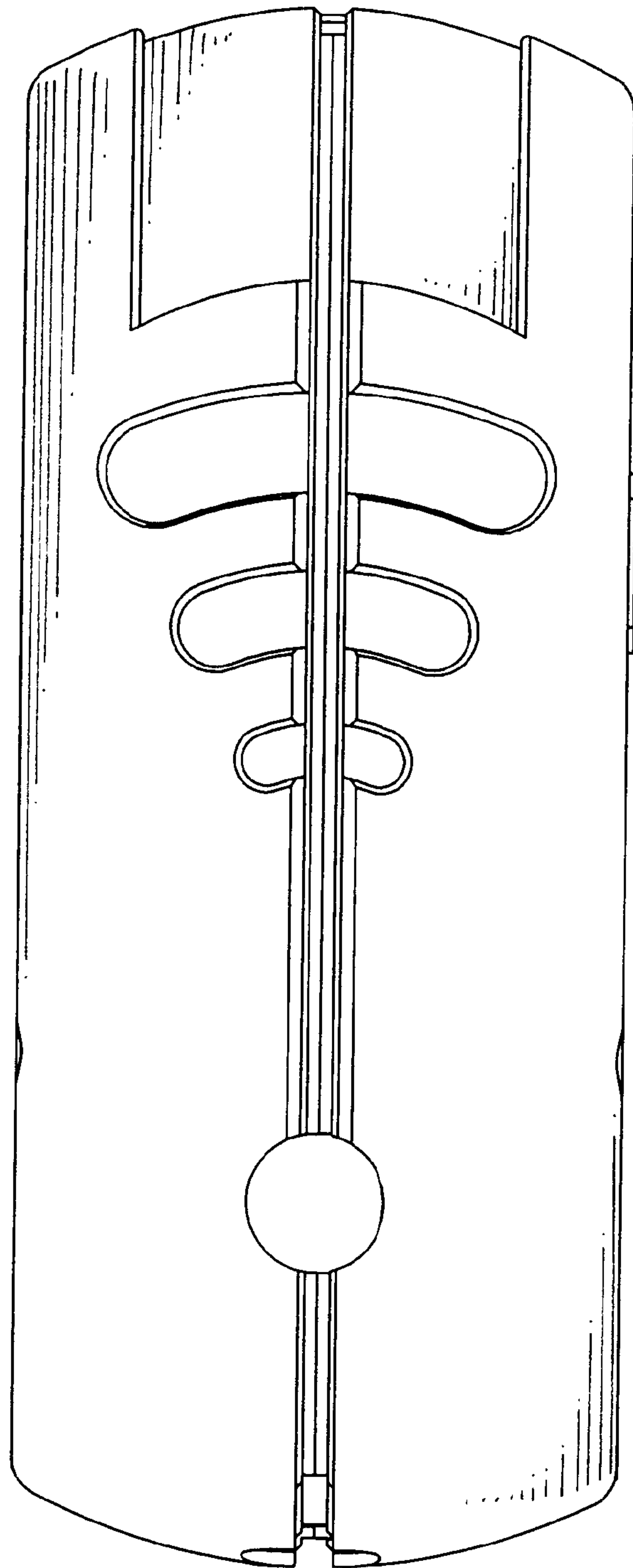


FIG. 4

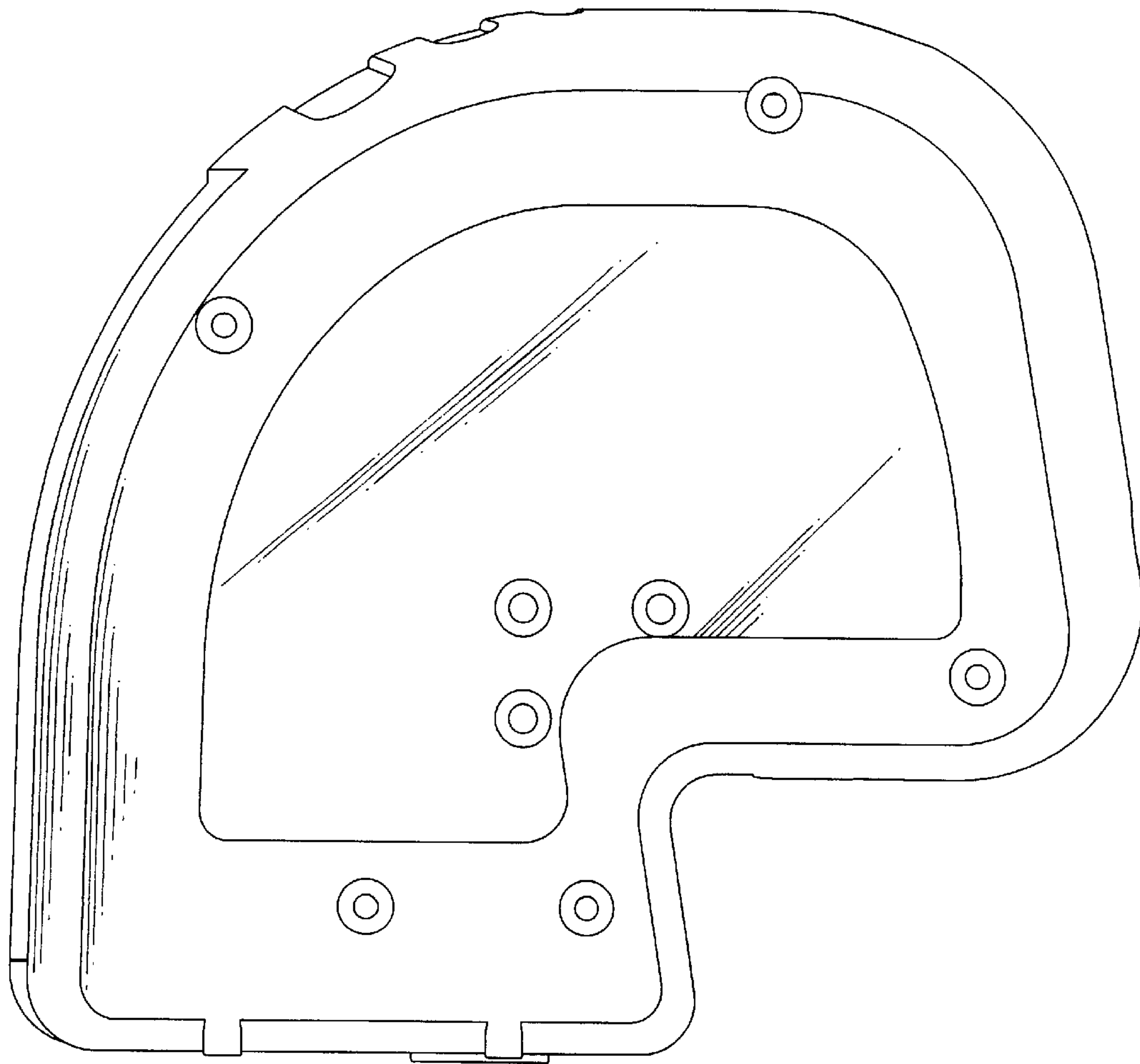


FIG. 5

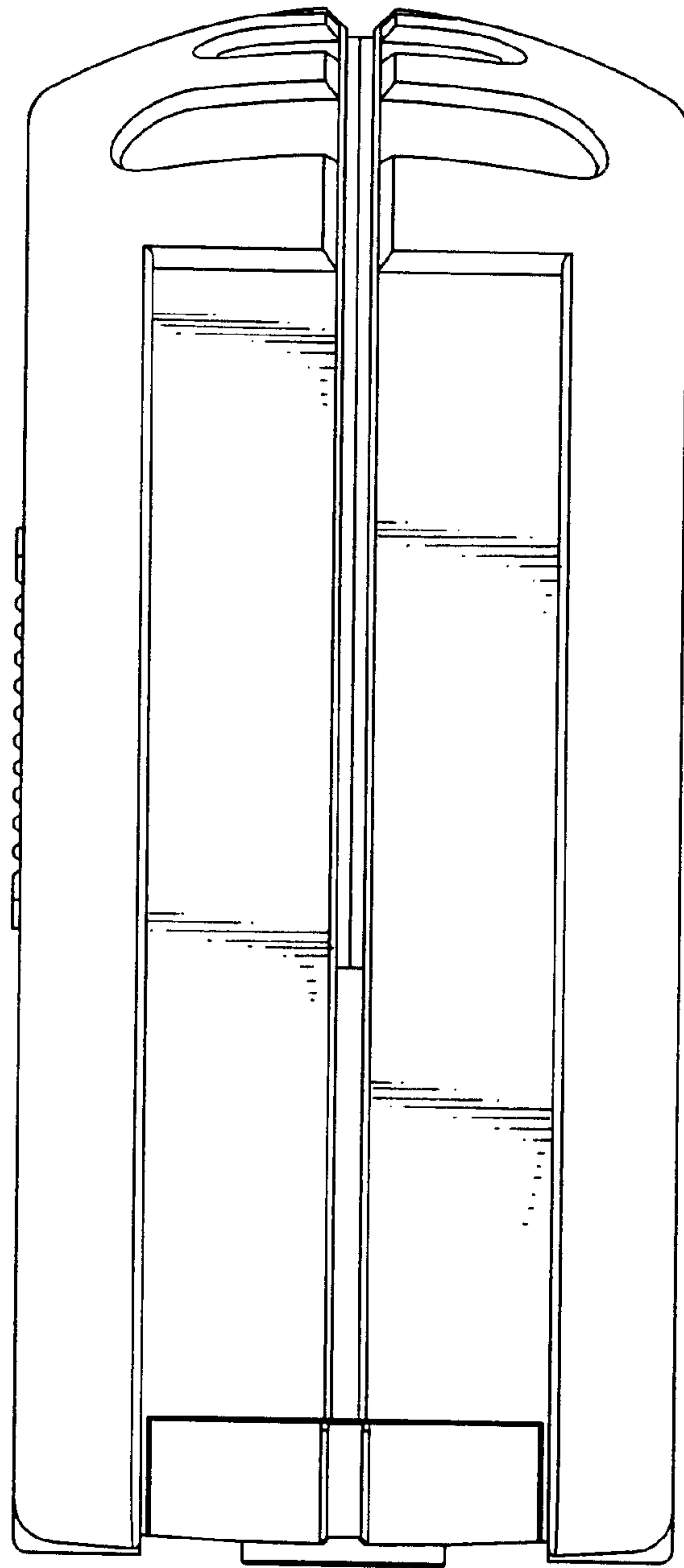


FIG. 6

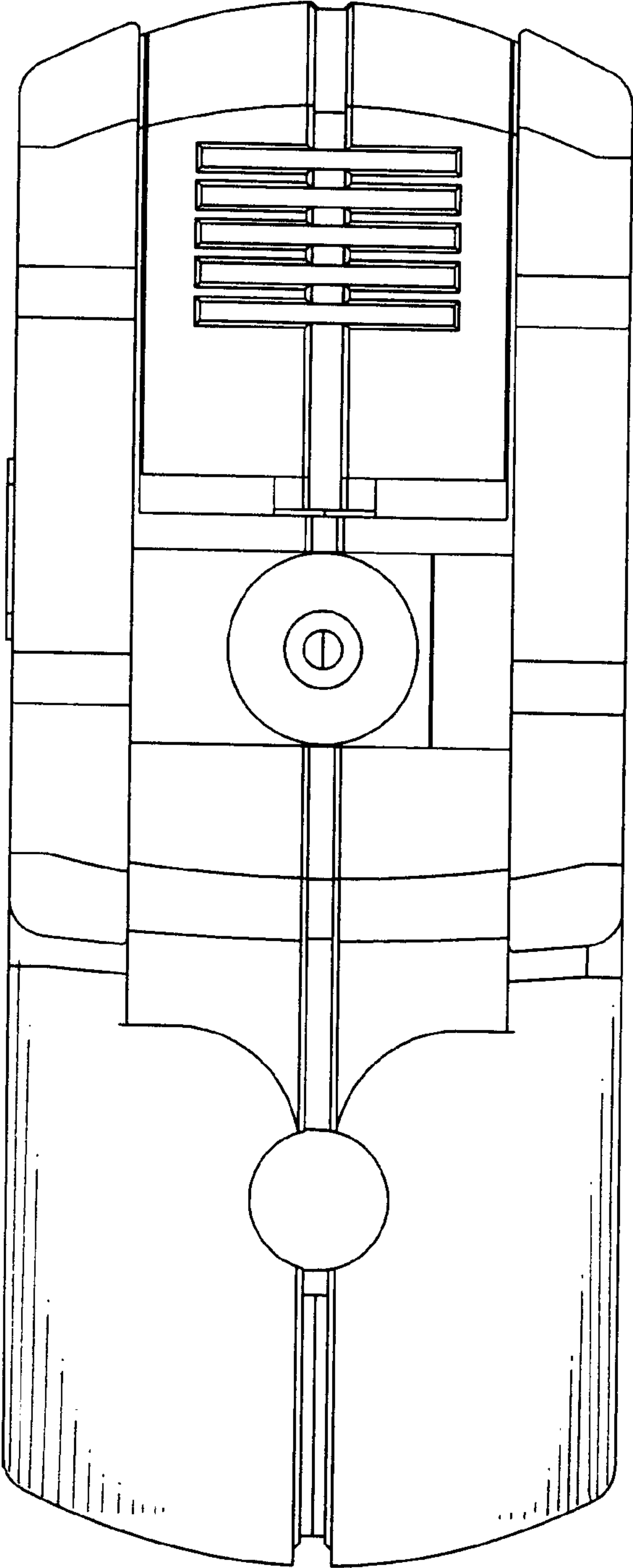


FIG. 7