



US00D538684S

(12) **United States Design Patent**  
**Snider**

(10) **Patent No.:** **US D538,684 S**

(45) **Date of Patent:** **\*\* Mar. 20, 2007**

(54) **LASER LEVEL**

(75) **Inventor:** **Gregory Scott Snider**, Bel Air, MD  
(US)

(73) **Assignee:** **Black & Decker Inc.**, Newark, DE  
(US)

(\*\*) **Term:** **14 Years**

(21) **Appl. No.:** **29/243,190**

(22) **Filed:** **Nov. 21, 2005**

(51) **LOC (8) Cl.** ..... **10-04**

(52) **U.S. Cl.** ..... **D10/69**

(58) **Field of Classification Search** ..... D10/69;  
33/365, 366.11–366.27, 367–391  
See application file for complete search history.

(56) **References Cited**

**U.S. PATENT DOCUMENTS**

- D474,985 S \* 5/2003 Cooper et al. .... D10/69
- D478,824 S \* 8/2003 Concari ..... D10/69
- D494,483 S \* 8/2004 Marshall et al. .... D10/69

- D498,151 S \* 11/2004 Cook ..... D10/69
- D504,339 S \* 4/2005 Snider ..... D10/69
- D504,832 S \* 5/2005 Snider et al. .... D10/69

\* cited by examiner

*Primary Examiner*—Antoine D. Davis

*Assistant Examiner*—Patricia Palasik

(74) *Attorney, Agent, or Firm*—John Yun; Bruce Shapiro

(57) **CLAIM**

The ornamental design for a laser level, as shown and described.

**DESCRIPTION**

FIG. 1 is a perspective view of a laser level according to the present invention;

FIG. 2 is an elevated front view of the laser level of FIG. 1;

FIG. 3 is a rear elevation view of the laser level of FIG. 1;

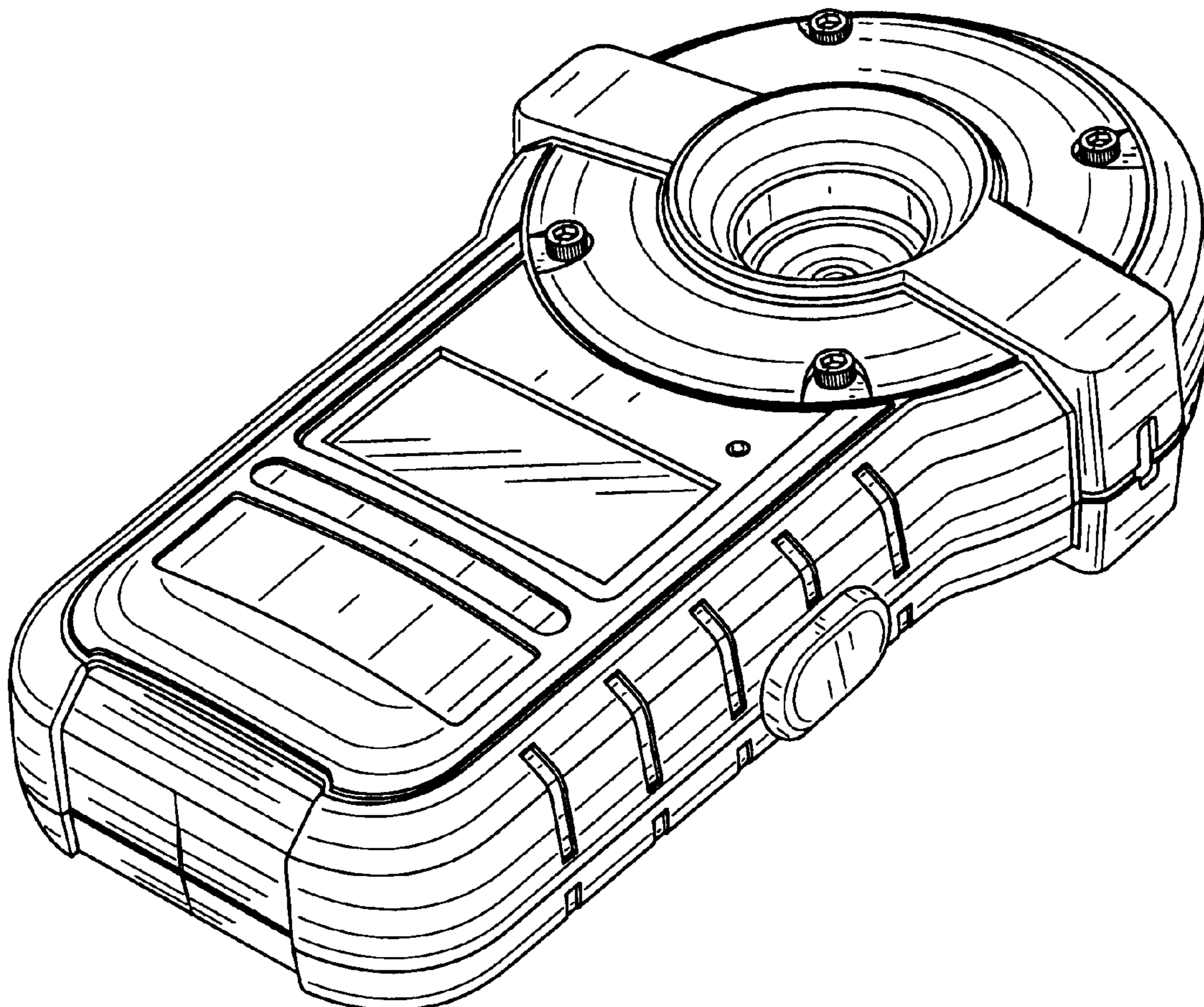
FIG. 4 is a left side view of the laser level of FIG. 1;

FIG. 5 is a right side view of the laser level of FIG. 1;

FIG. 6 is a top view of the laser level of FIG. 1; and,

FIG. 7 is a bottom view of the laser level of FIG. 1.

**1 Claim, 5 Drawing Sheets**



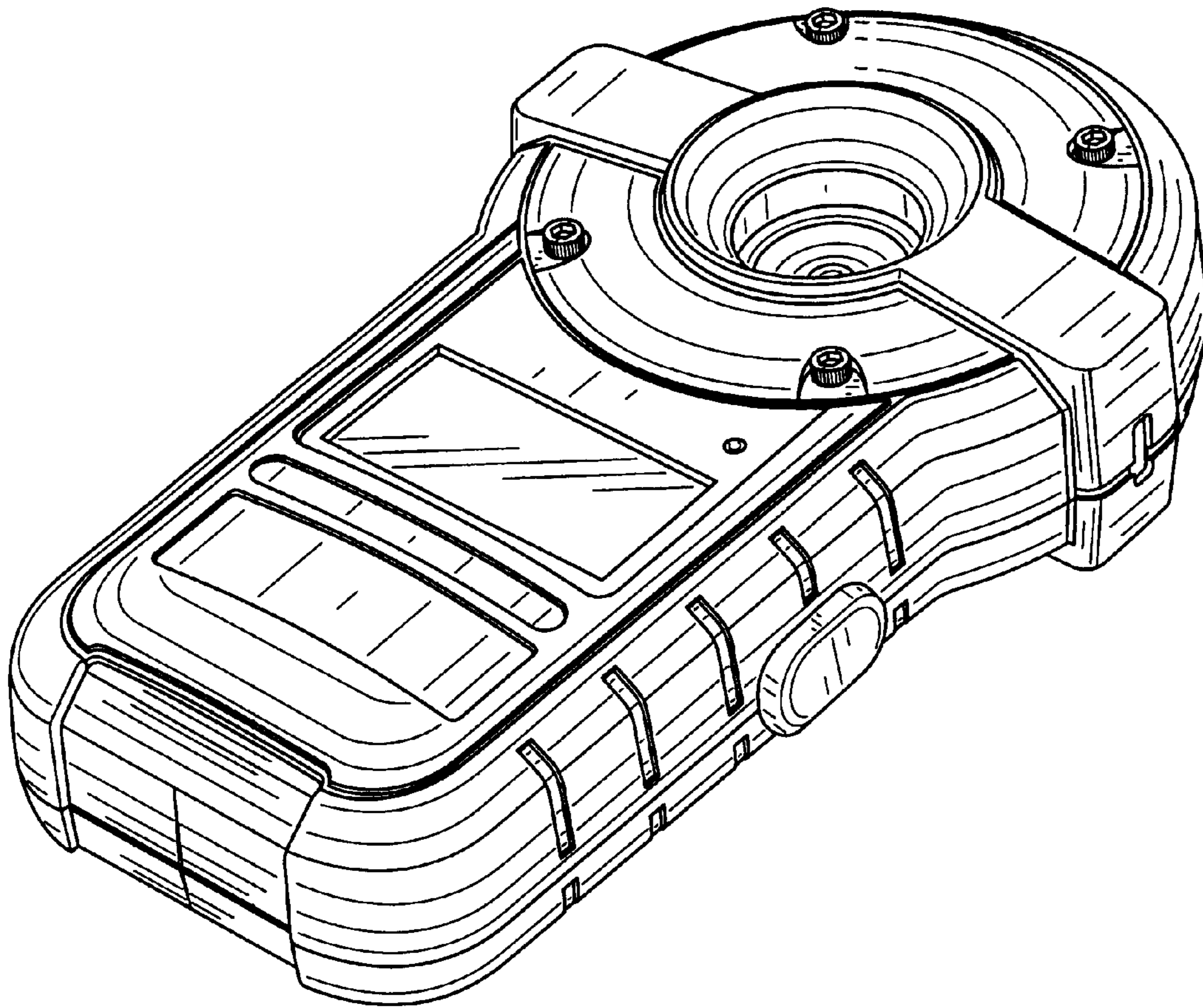


FIG. 1

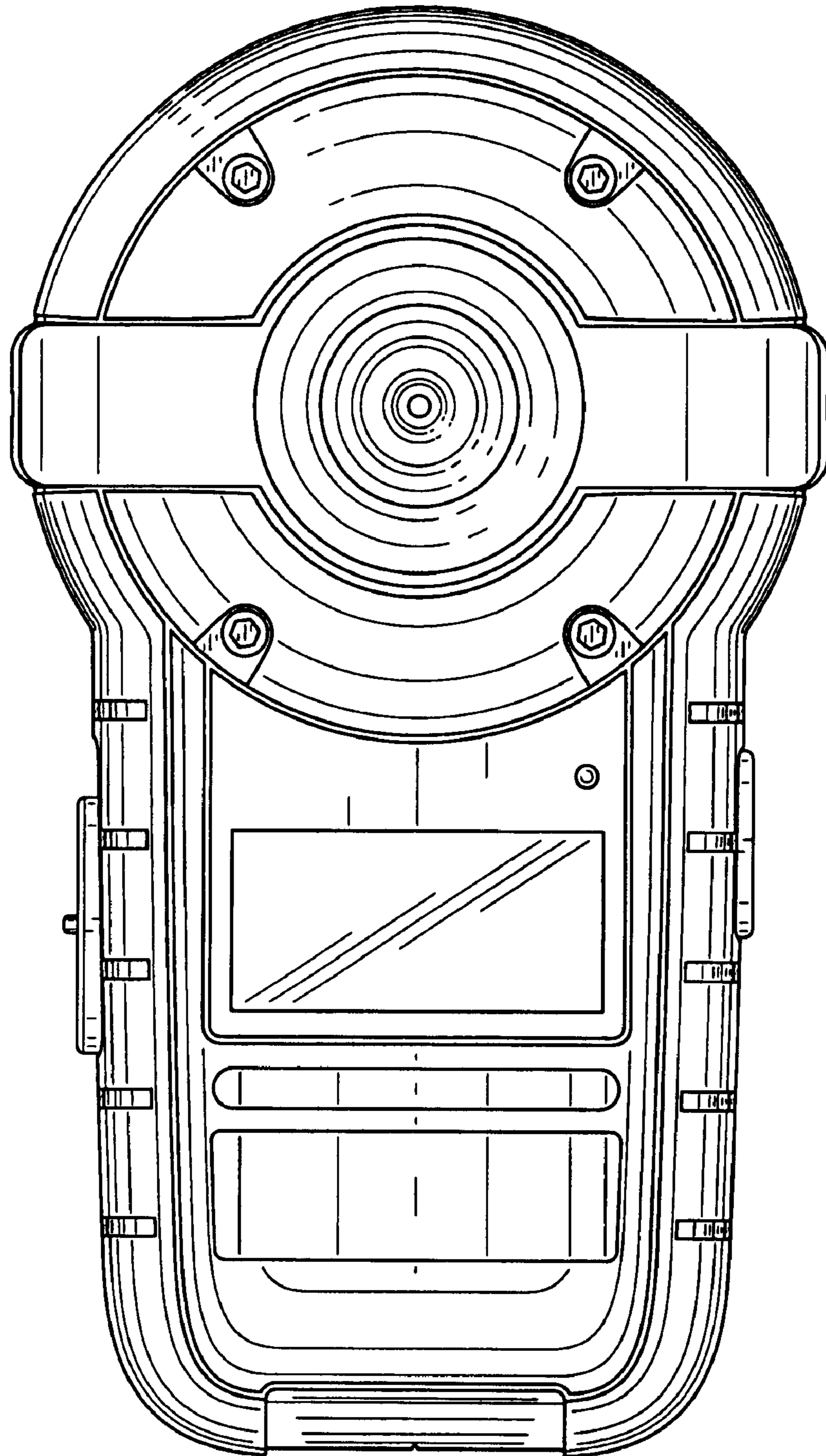


FIG. 2

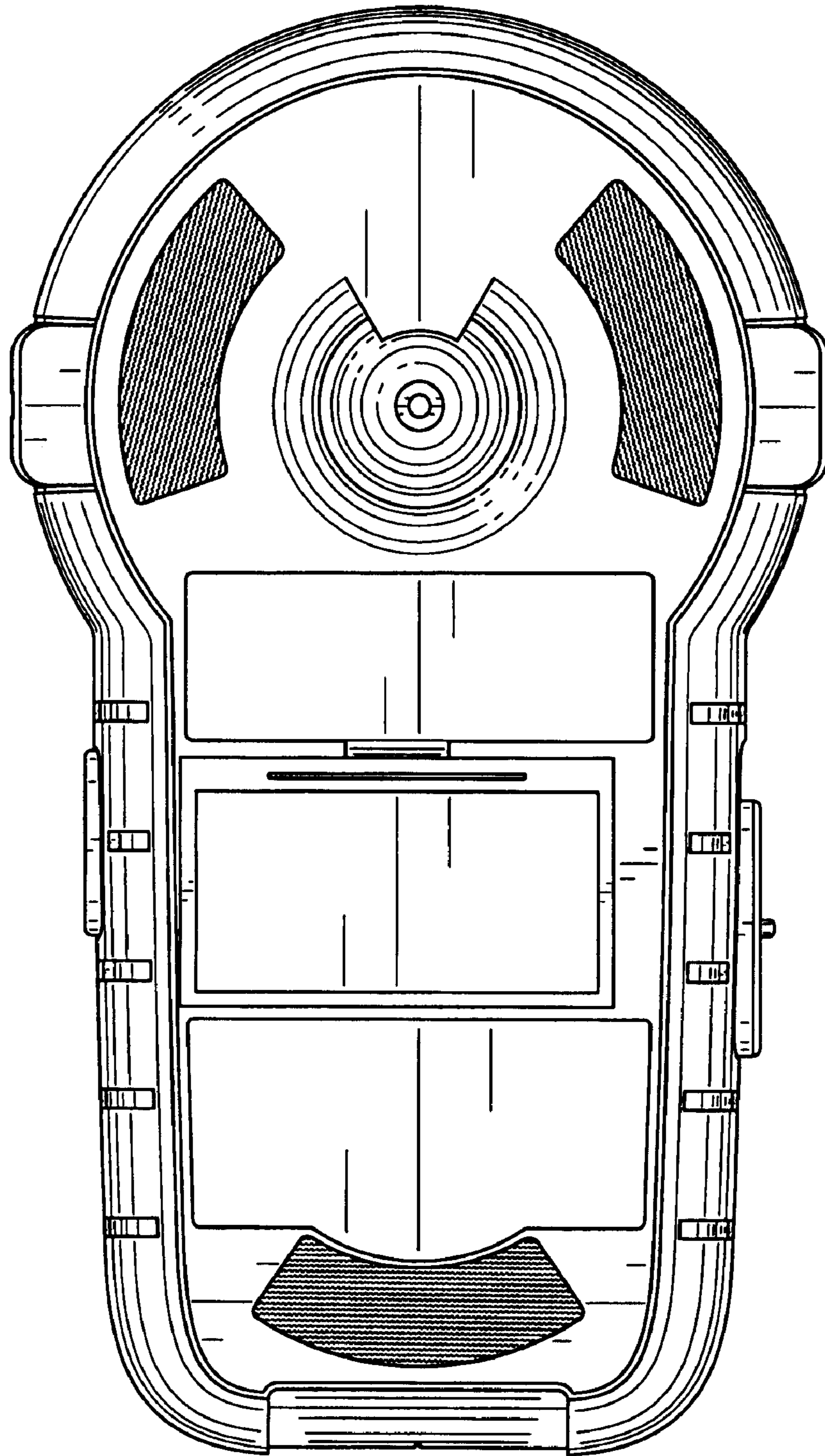


FIG. 3

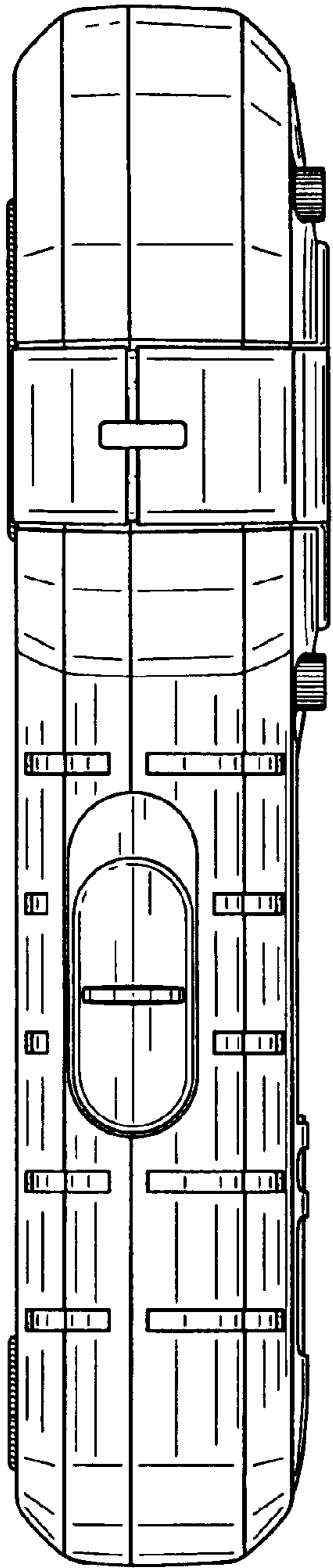


FIG. 4

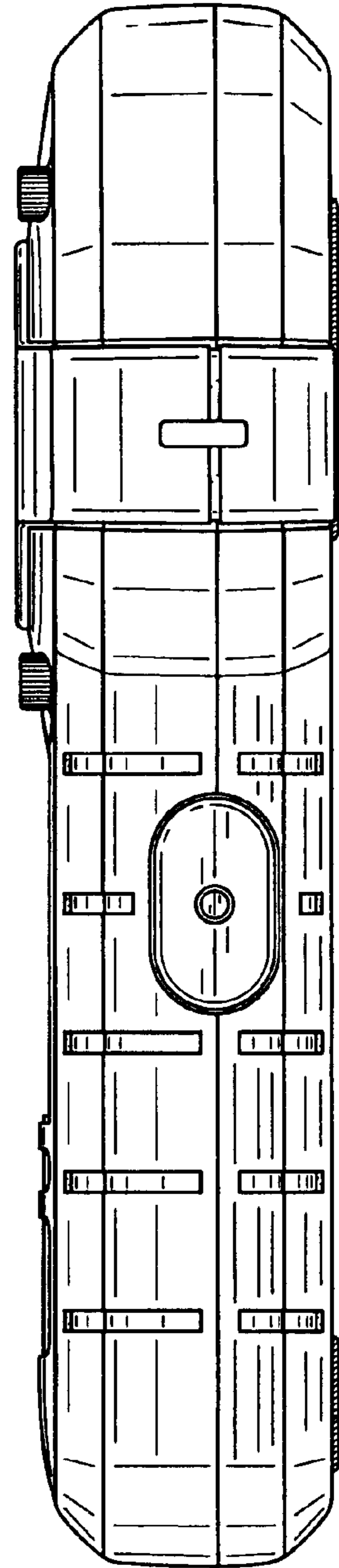


FIG. 5

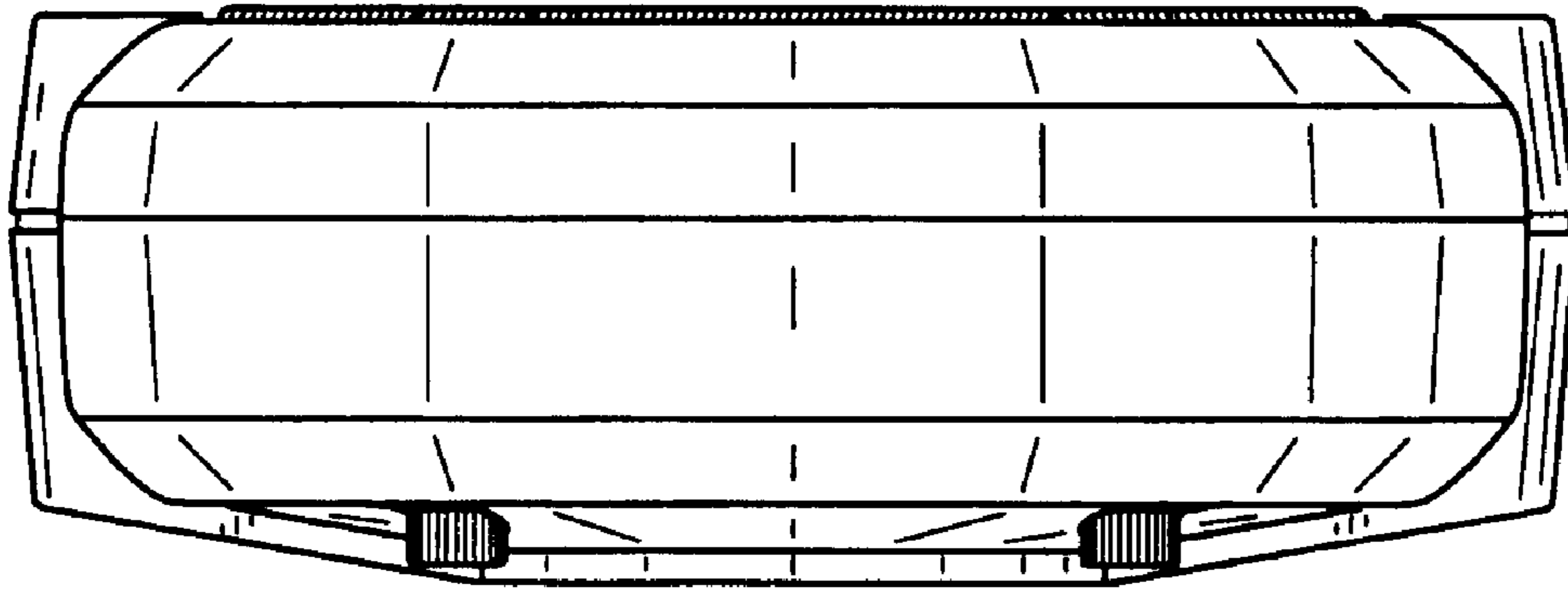


FIG. 6

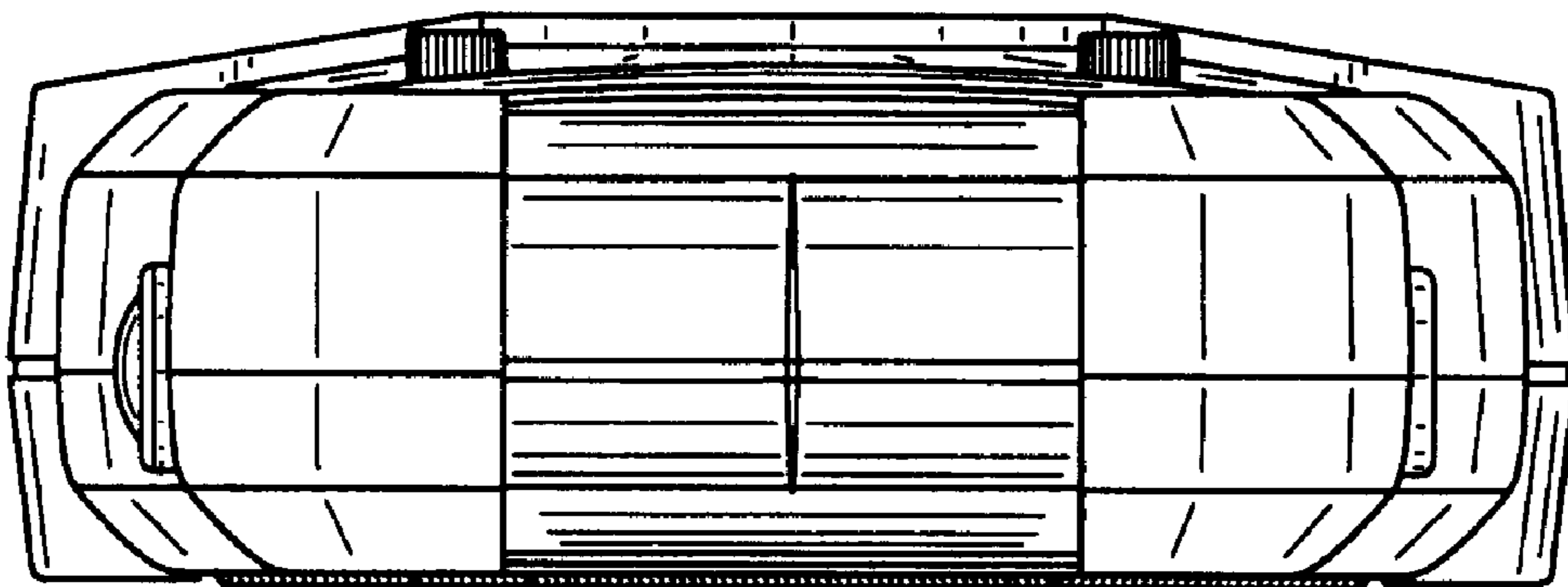


FIG. 7