

US00D538683S

(12) **United States Design Patent**
Ishii

(10) **Patent No.:** **US D538,683 S**
(45) **Date of Patent:** **** Mar. 20, 2007**

(54) **LASER RECEIVER FOR SURVEYING**

(75) Inventor: **Mitsuo Ishii**, Tokyo (JP)

(73) Assignee: **Kabushiki Kaisha Topcon**, Tokyo (JP)

(**) Term: **14 Years**

(21) Appl. No.: **29/242,654**

(22) Filed: **Nov. 7, 2005**

(51) **LOC (8) Cl.** **10-04**

(52) **U.S. Cl.** **D10/66**

(58) **Field of Classification Search** 356/5.15,
356/4.01, 5.01, 5.08, 5.05, 4.05, 5.07, 5.09,
356/5.12, 28.5, 138, 139.3, 141.3, 142, 345,
356/375, 3.01, 5.06, 128-155, 399, 400;
385/83, 97, 98, 99, 134-139; 701/211-213;
702/150, 158, 208; 264/1.24-1.25; D10/66,
D10/69, 70; 33/276, 277, 281, 285, 286,
33/290, 291-299, DIG. 21; 340/573.1-573.4,
340/539, 825.36, 825.46, 825.49, 357.02,
340/357.07-357.09

See application file for complete search history.

(56) **References Cited**

U.S. PATENT DOCUMENTS

2006/0037202 A1 * 2/2006 Long et al. 33/286

2006/0179672 A1 * 8/2006 Tacklind 33/286

* cited by examiner

Primary Examiner—Antoine D. Davis

(74) *Attorney, Agent, or Firm*—Jacobson Holman PLLC

(57) **CLAIM**

The ornamental design for a laser receiver for surveying, as shown and described.

DESCRIPTION

FIG. 1 is a perspective view from above, front and right, of the laser receiver for surveying according to my novel design;

FIG. 2 is a perspective view from above, rear and left, of the laser receiver for surveying of FIG. 1;

FIG. 3 is a front view of the laser receiver for surveying of FIG. 1;

FIG. 4 is a plane view of the laser receiver for surveying of FIG. 1;

FIG. 5 is a rear view of the laser receiver for surveying of FIG. 1;

FIG. 6 is a bottom view of the laser receiver for surveying of FIG. 1;

FIG. 7 is a left side view of the laser receiver for surveying of FIG. 1; and

FIG. 8 is a right side view of the laser receiver for surveying of FIG. 1.

1 Claim, 4 Drawing Sheets

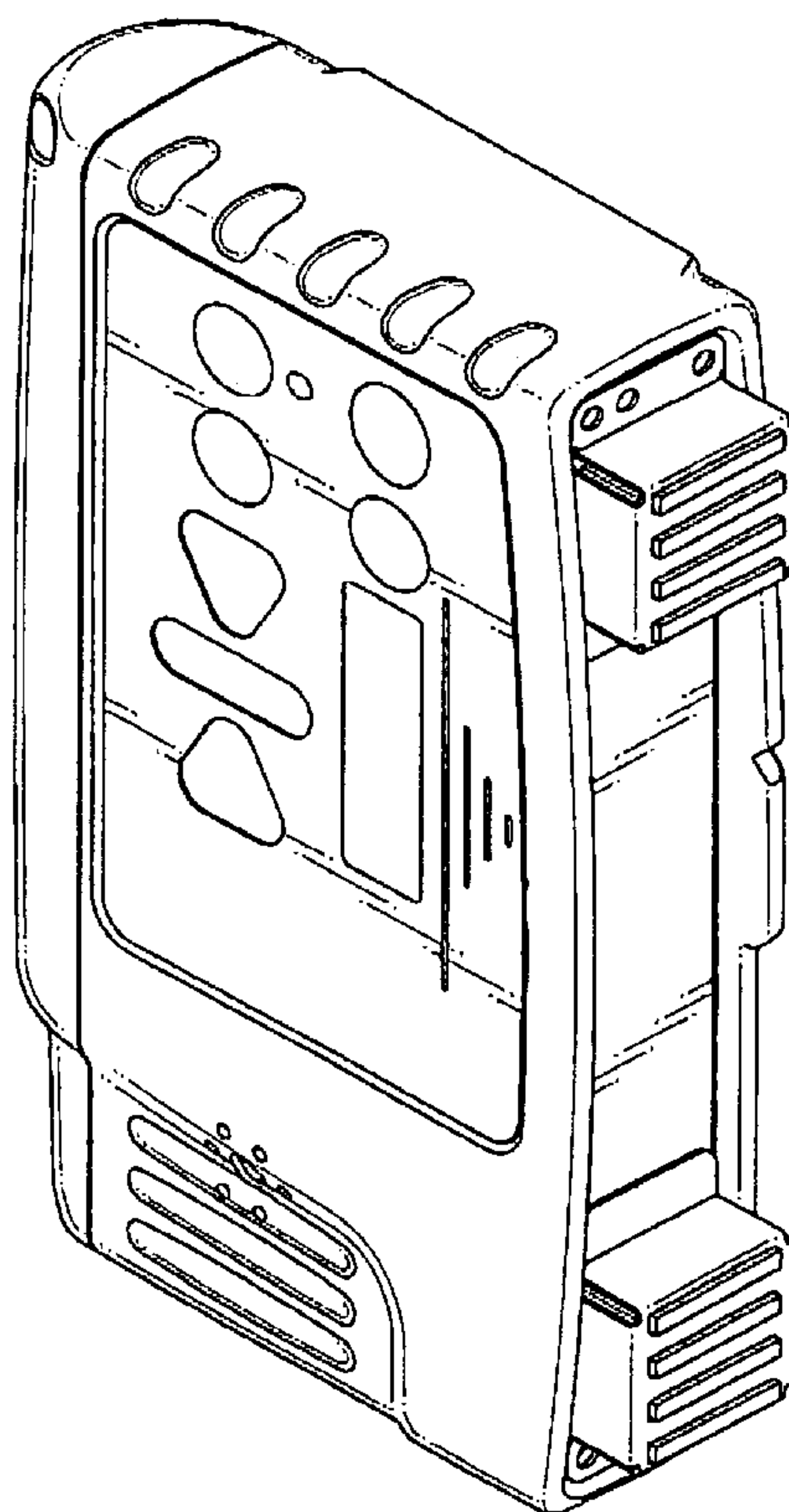


FIG.1

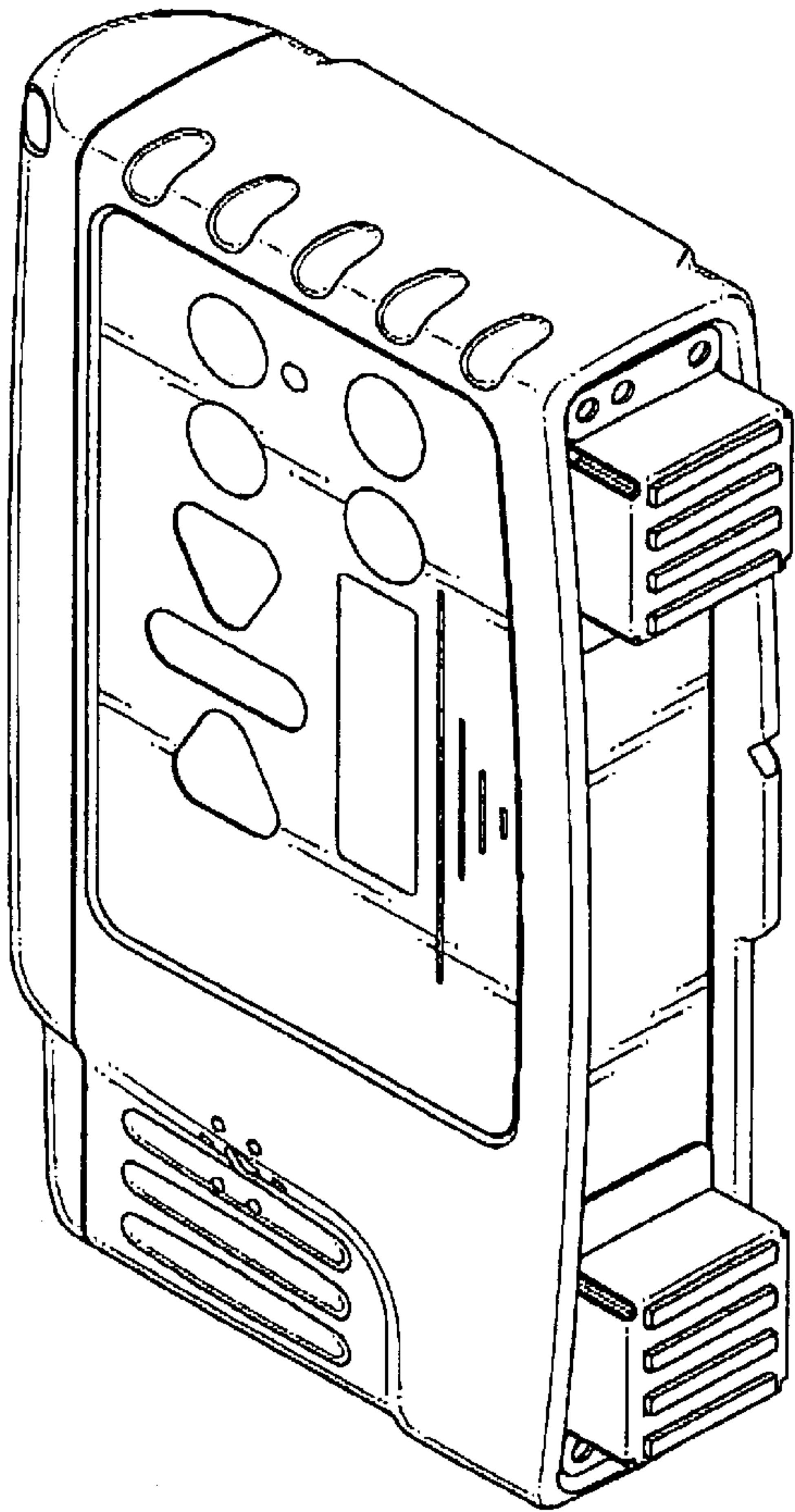


FIG.2

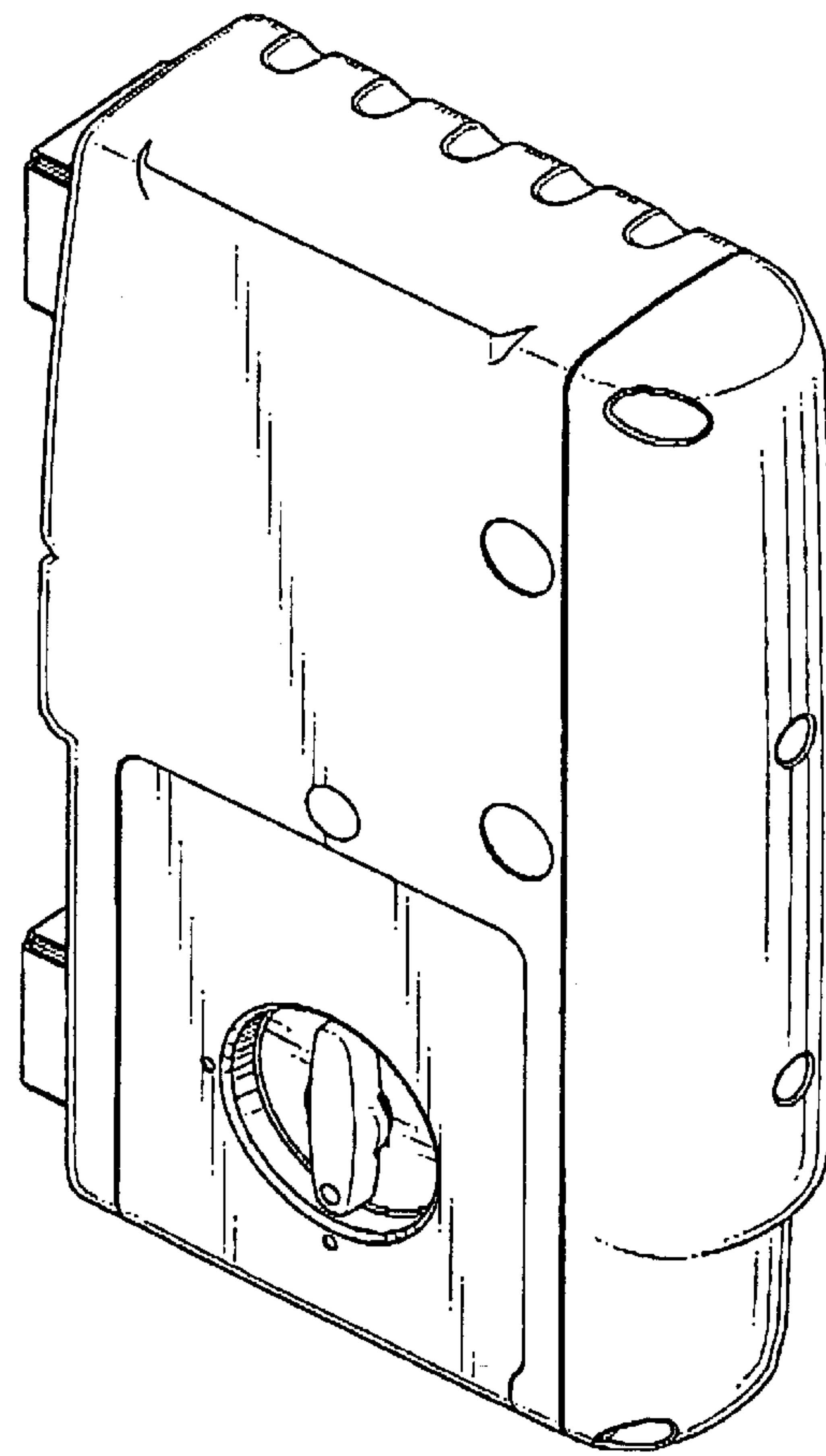


FIG.3

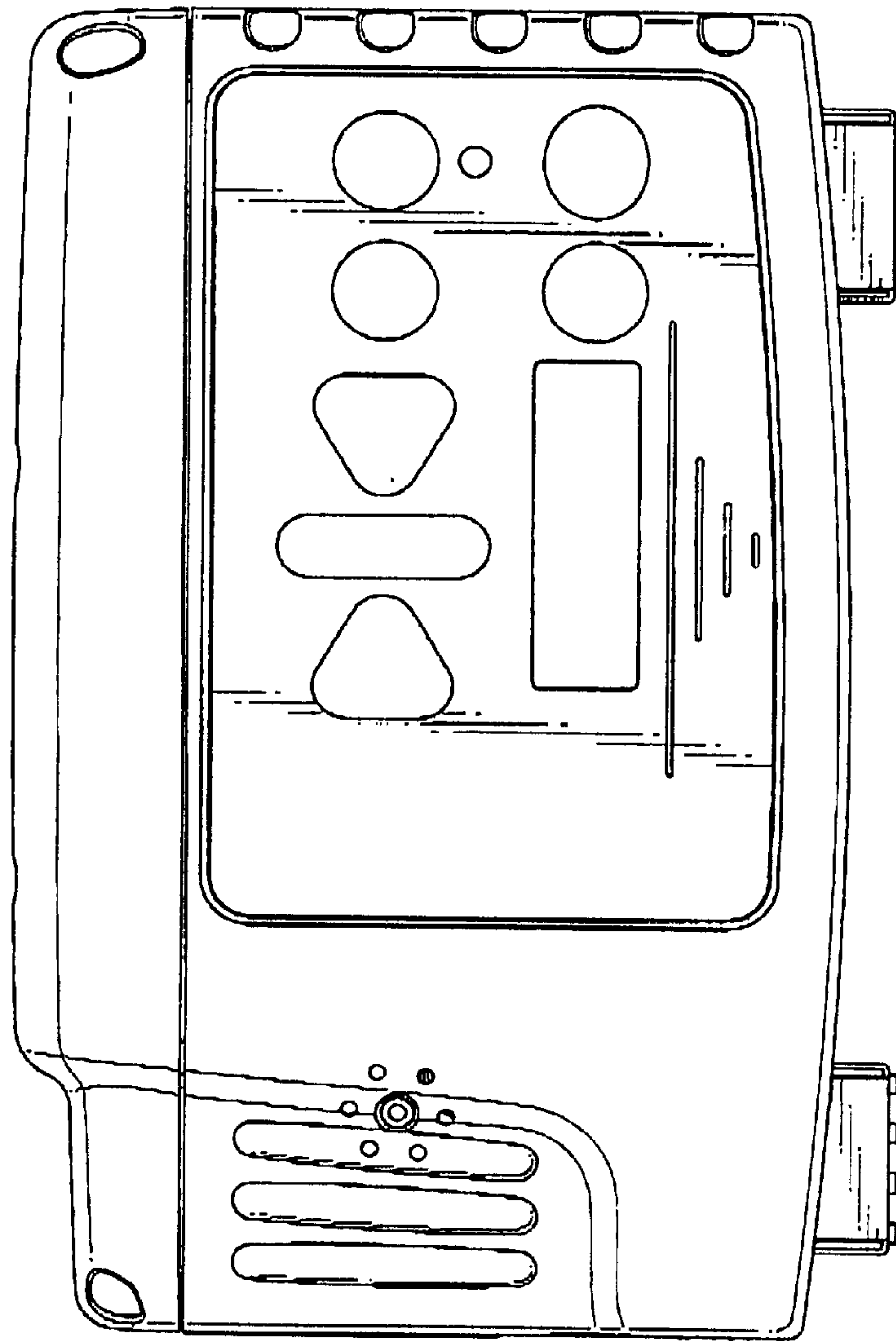


FIG.4

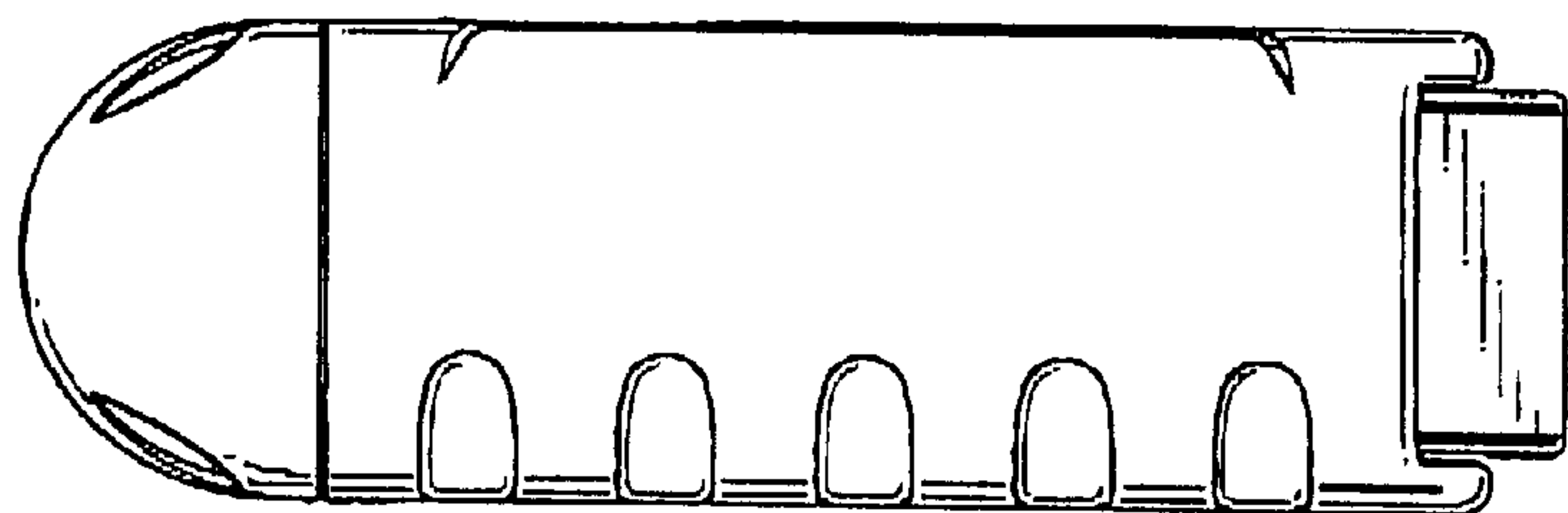


FIG.5

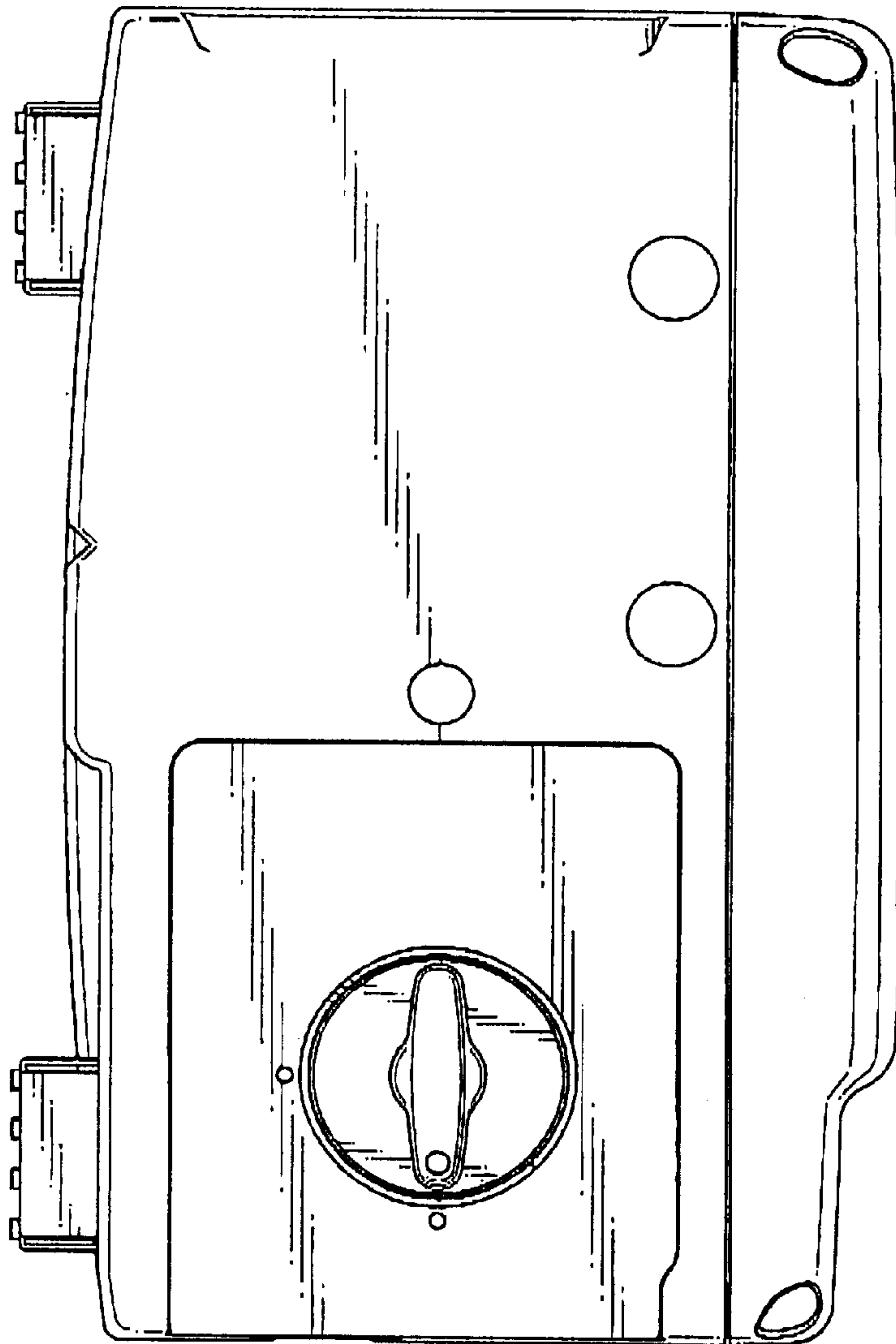


FIG.6

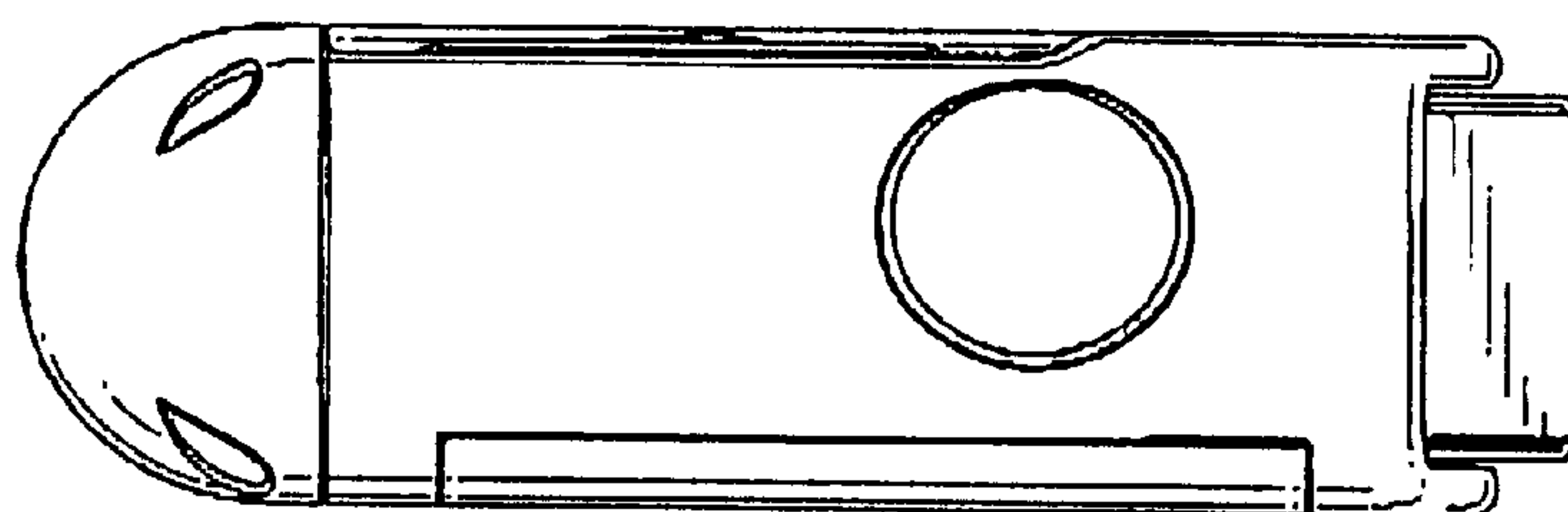


FIG.7

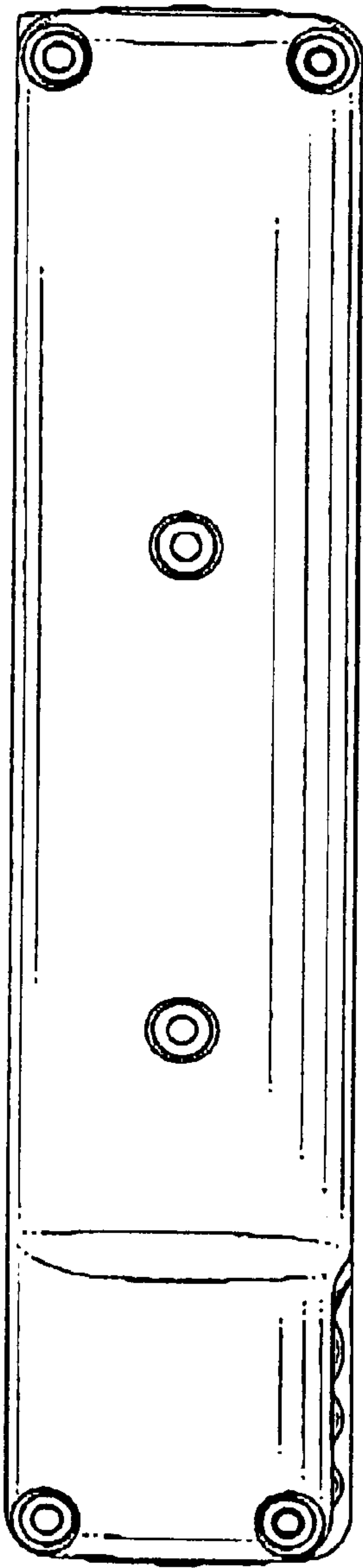


FIG.8

