

US00D538681S

(12) **United States Design Patent**
Quintavalle

(10) **Patent No.:** **US D538,681 S**

(45) **Date of Patent:** **** Mar. 20, 2007**

(54) **CASE FOR A WATCH**

(75) Inventor: **Leopoldo Quintavalle**, Como (IT)

(73) Assignee: **La Vallee S.r.l.**, Como (IT)

(**) Term: **14 Years**

(21) Appl. No.: **29/218,103**

(22) Filed: **Nov. 29, 2004**

(30) **Foreign Application Priority Data**

May 28, 2004 (IT) MI2004O0140

(51) **LOC (8) Cl.** **10-02**

(52) **U.S. Cl.** **D10/38**

(58) **Field of Classification Search** D10/30-39,
D10/122-132; 368/276-278, 281-283, 285-287,
368/294-296, 82-84, 28-30, 239-242, 223,
368/228, 232, 80, 110, 113, 292, 21
See application file for complete search history.

(56) **References Cited**

U.S. PATENT DOCUMENTS

- 4,757,485 A * 7/1988 Man 368/281
- D309,576 S * 7/1990 Saurer D10/39
- D319,027 S * 8/1991 Burgener D10/39
- D320,750 S * 10/1991 Kawashima D10/39
- 5,158,219 A * 10/1992 Baumgartner et al. 224/164

- D332,055 S * 12/1992 Gander D10/39
- D378,355 S * 3/1997 Charriol D10/30
- D380,698 S * 7/1997 Paredes D10/128
- D384,295 S * 9/1997 Riley D10/30
- D386,979 S * 12/1997 Kubisch D10/32
- D407,028 S * 3/1999 Luscher D10/32
- D416,497 S * 11/1999 Zwicky D10/30
- D448,311 S * 9/2001 Sciacca D10/39

OTHER PUBLICATIONS

Jeweler's Circular Keystone, Jul. 1987, p. 21, watches.*

* cited by examiner

Primary Examiner—Lucy Lieberman

(74) *Attorney, Agent, or Firm*—Young & Thompson

(57) **CLAIM**

The ornamental design for a case for a watch, as shown and described.

DESCRIPTION

FIG. 1 is a top and side perspective view of a case for a watch, showing my new design;

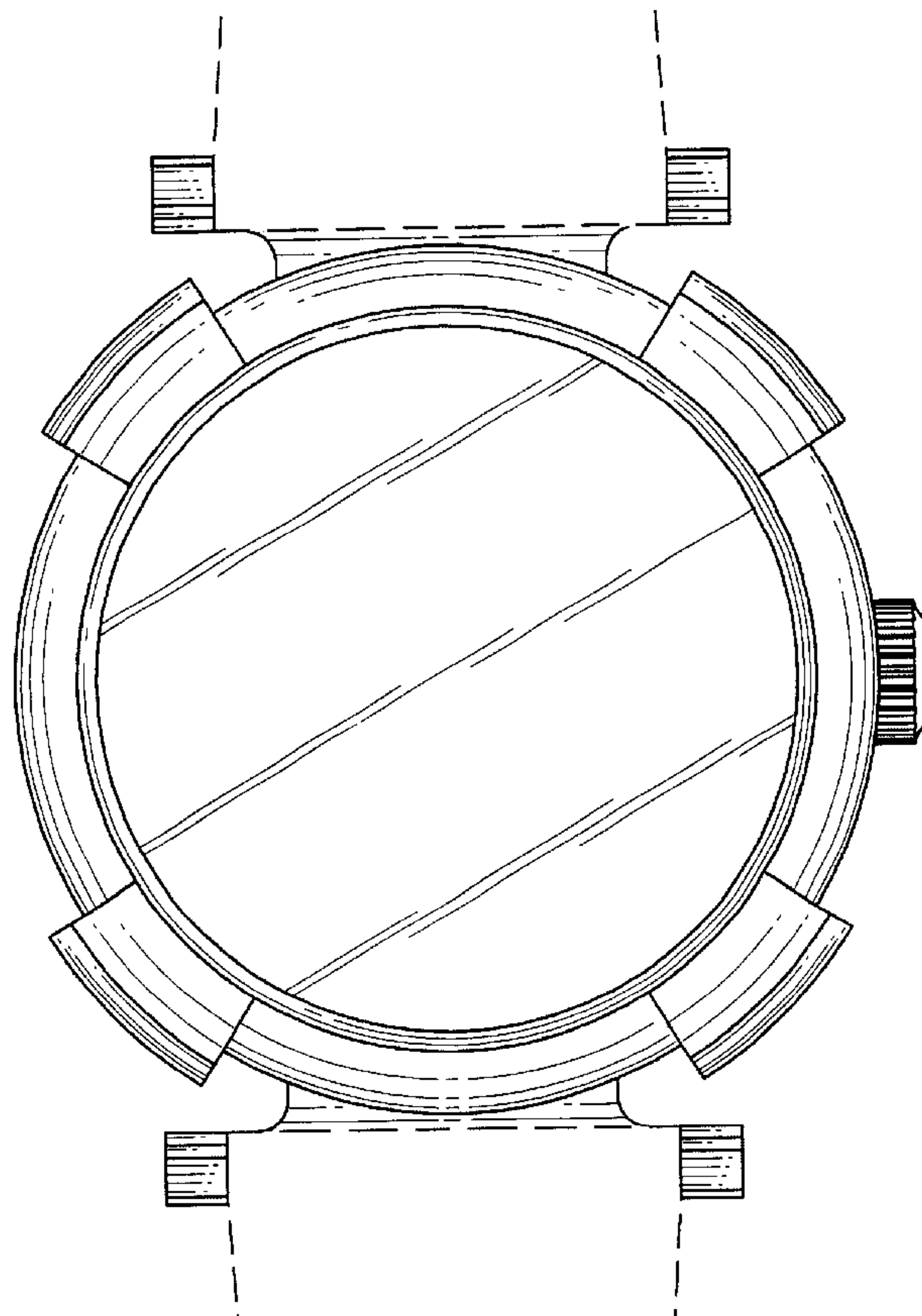
FIG. 2 is a top plan view thereof;

FIG. 3 is a bottom plan view thereof; and,

FIG. 4 is a side elevational view thereof.

The structure shown in broken line is environmental only and does not form a part of the claimed design.

1 Claim, 4 Drawing Sheets



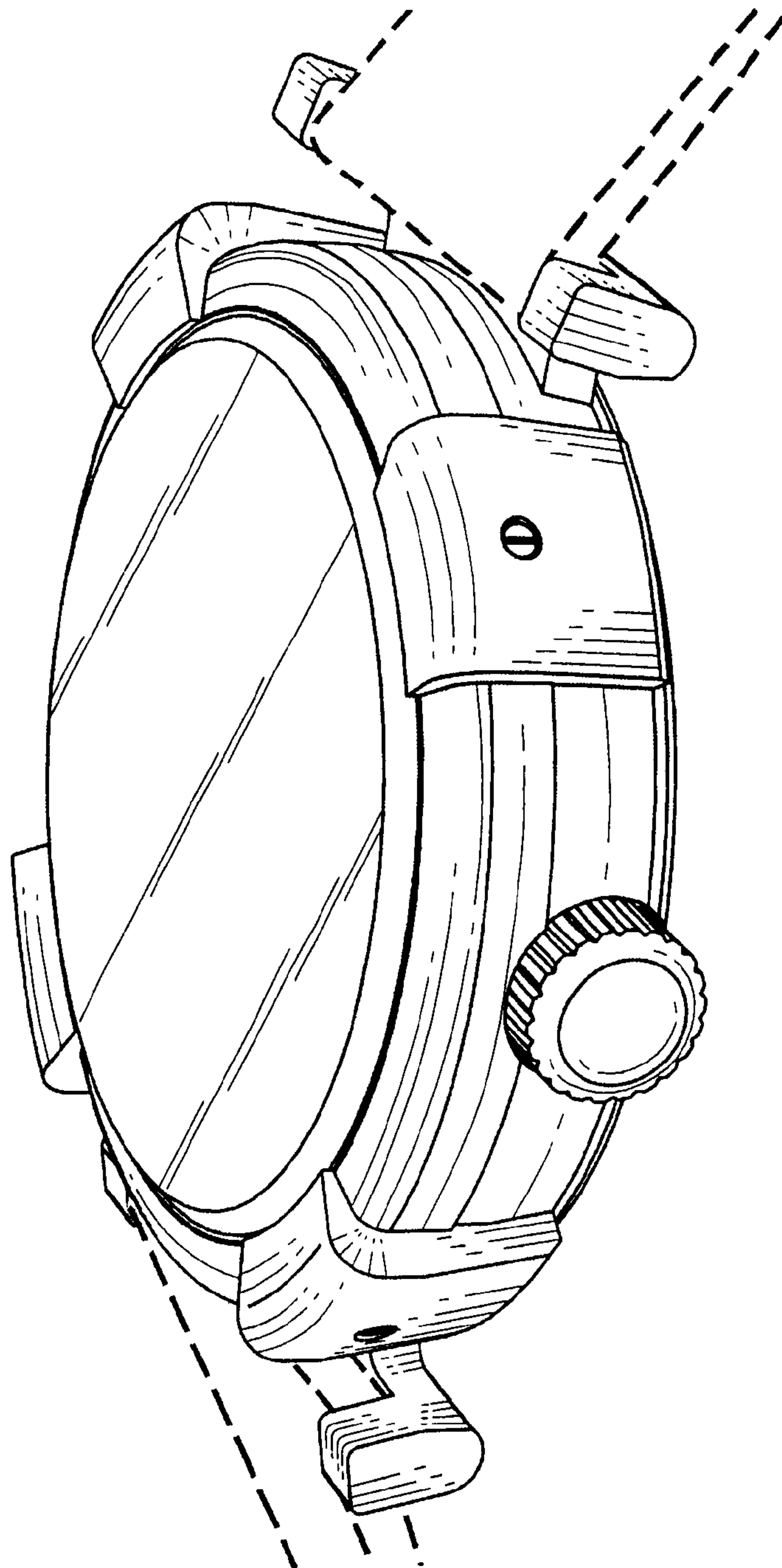


FIG. 1

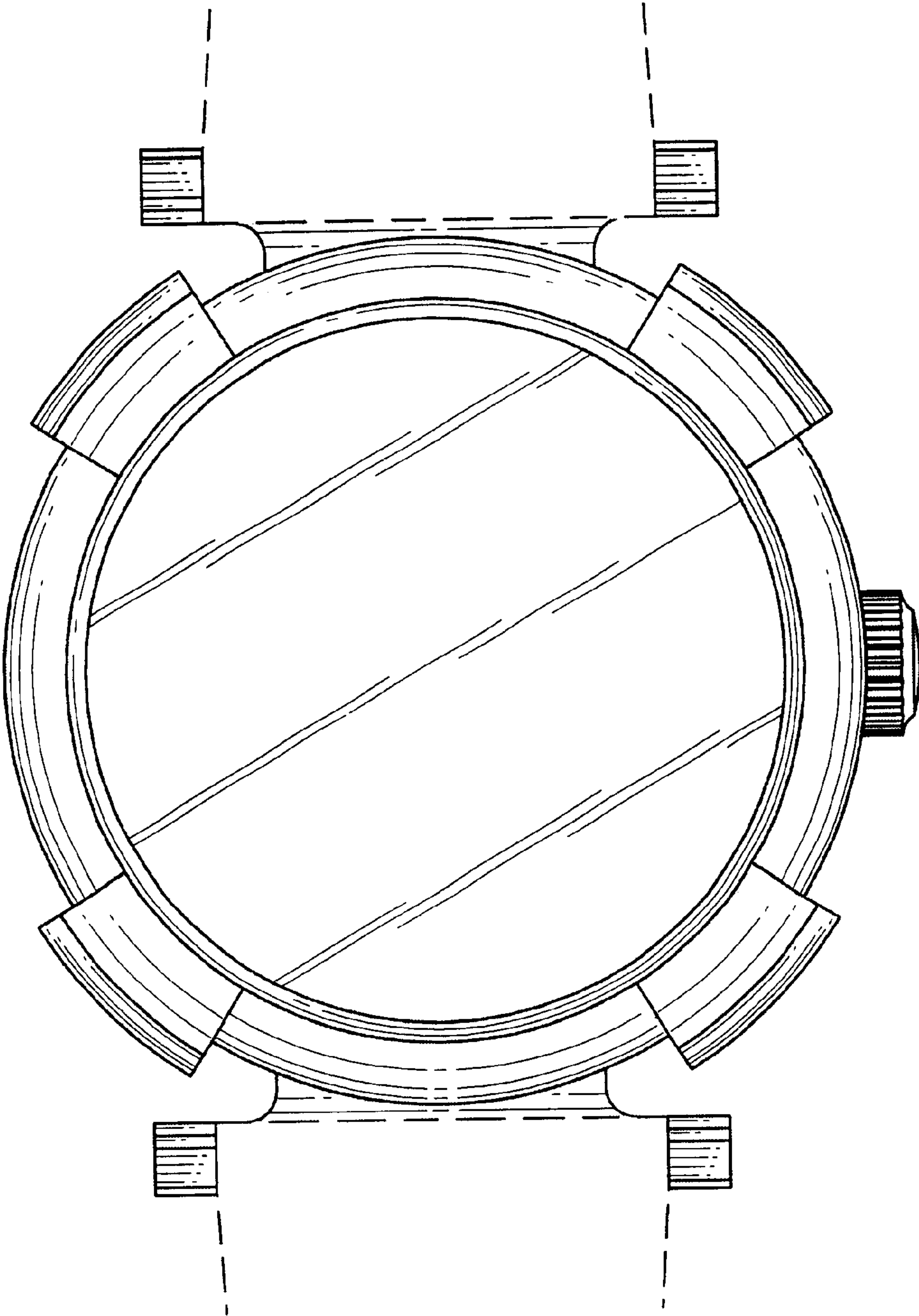


FIG. 2

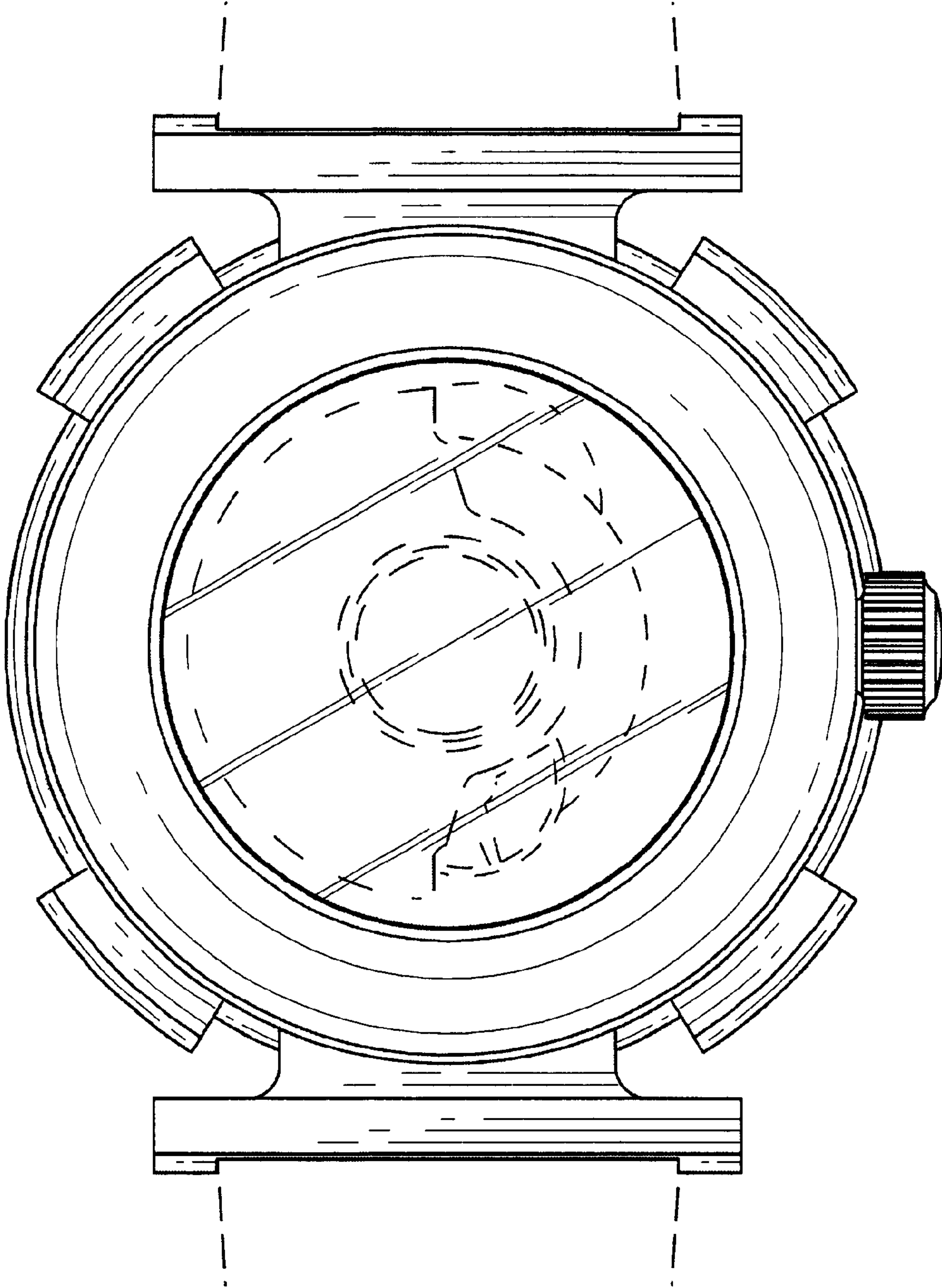


FIG. 3

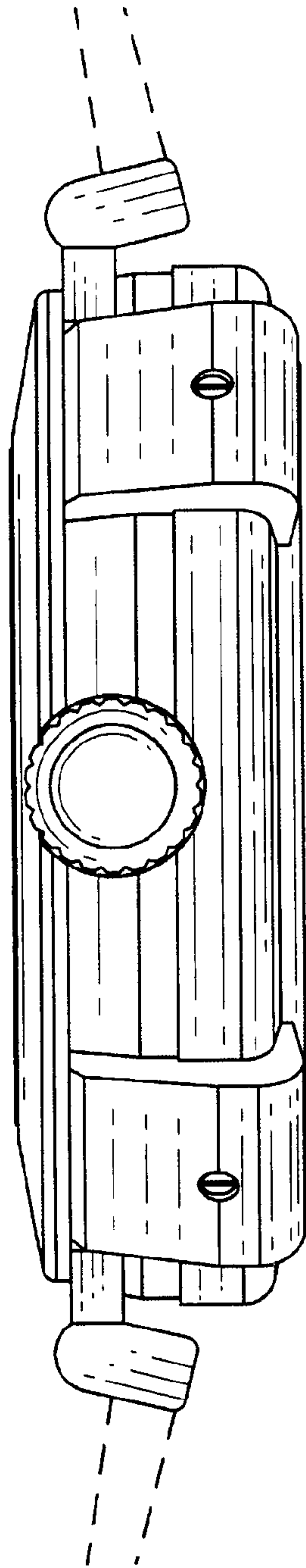


FIG. 4