



US00D538676S

(12) **United States Design Patent**
Millen

(10) **Patent No.:** **US D538,676 S**

(45) **Date of Patent:** **** Mar. 20, 2007**

(54) **LAUNDRY DRYER CARTON**

(75) Inventor: **Jonathan Millen**, New York, NY (US)

(73) Assignee: **Oplandi, Inc.**, Farmingdale, NY (US)

(**) Term: **14 Years**

(21) Appl. No.: **29/233,204**

(22) Filed: **Jun. 29, 2005**

(51) **LOC (8) Cl.** **09-01**

(52) **U.S. Cl.** **D9/642; D9/433; D9/600;**
D9/415

(58) **Field of Classification Search** D3/270-271.1,
D3/271.7; D21/526; D9/600, 636, 640, 642,
D9/414-415, 418, 430, 432-433; 206/457,
206/459.5, 769, 822, 823; 220/890; 229/116.1-116.4;
446/526

See application file for complete search history.

(56) **References Cited**

U.S. PATENT DOCUMENTS

D227,081 S * 6/1973 Alexander D9/415
4,842,906 A * 6/1989 Ekdahl et al. 206/459.5
5,020,669 A * 6/1991 Nakagoshi 206/459.5

6,048,251 A * 4/2000 Klitsner et al. 446/479
D458,316 S * 6/2002 Bao D21/526
D520,375 S * 5/2006 Summerford et al. D9/600
2003/0224962 A1 * 12/2003 Fryc 510/438

* cited by examiner

Primary Examiner—Sandra L. Morris

(74) *Attorney, Agent, or Firm*—Paul M. Denk

(57) **CLAIM**

The ornamental design for the laundry dryer carton, as shown and described.

DESCRIPTION

FIG. 1 is an isometric view of the laundry dryer carton of this invention;

FIG. 2 is a front view thereof;

FIG. 3 is a back view;

FIG. 4 is a left side view;

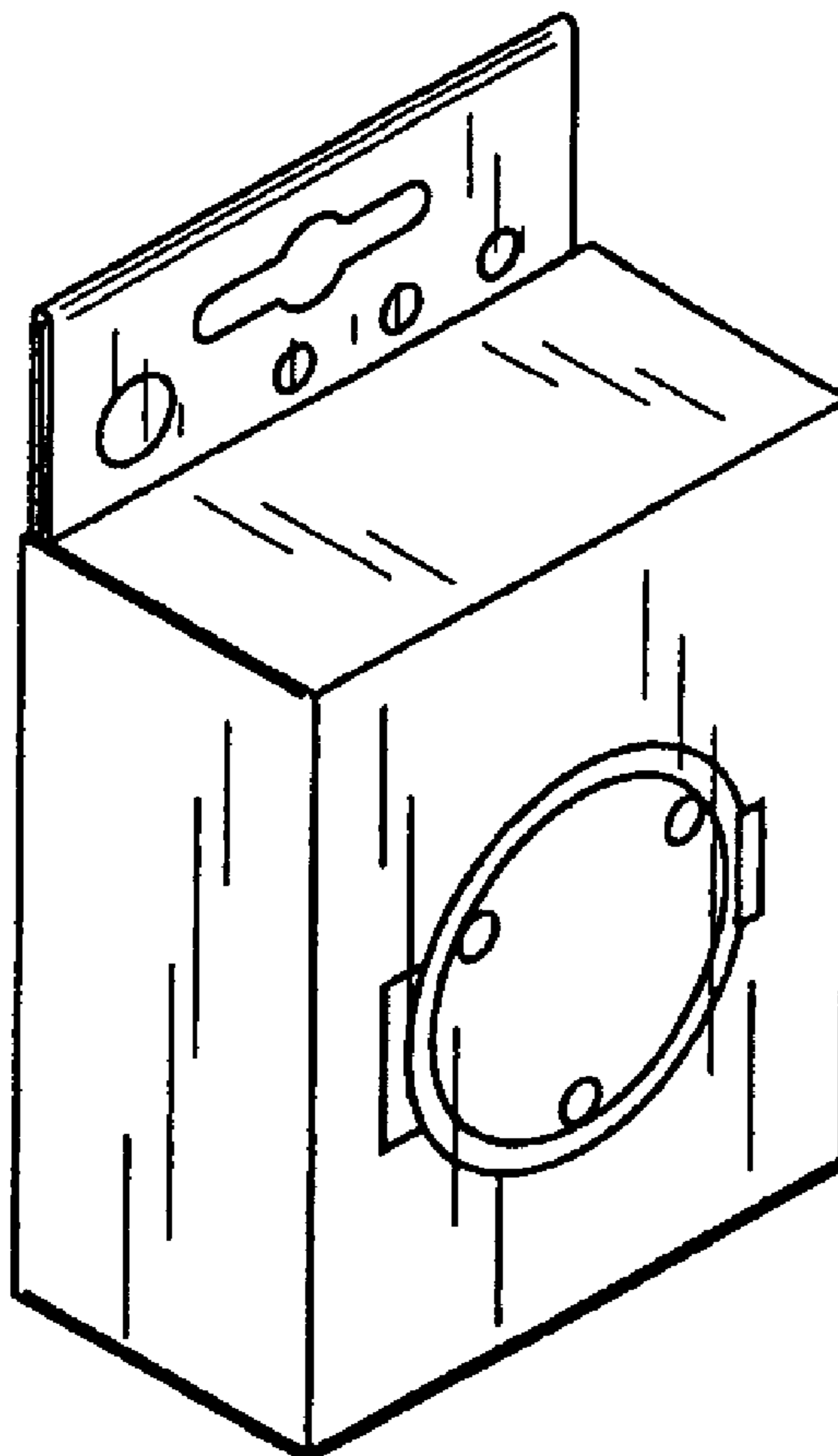
FIG. 5 is a right side view;

FIG. 6 is a top view;

FIG. 7 is a bottom view; and,

FIG. 8 is a plan view of the blank for the laundry dryer carton of this invention.

1 Claim, 2 Drawing Sheets



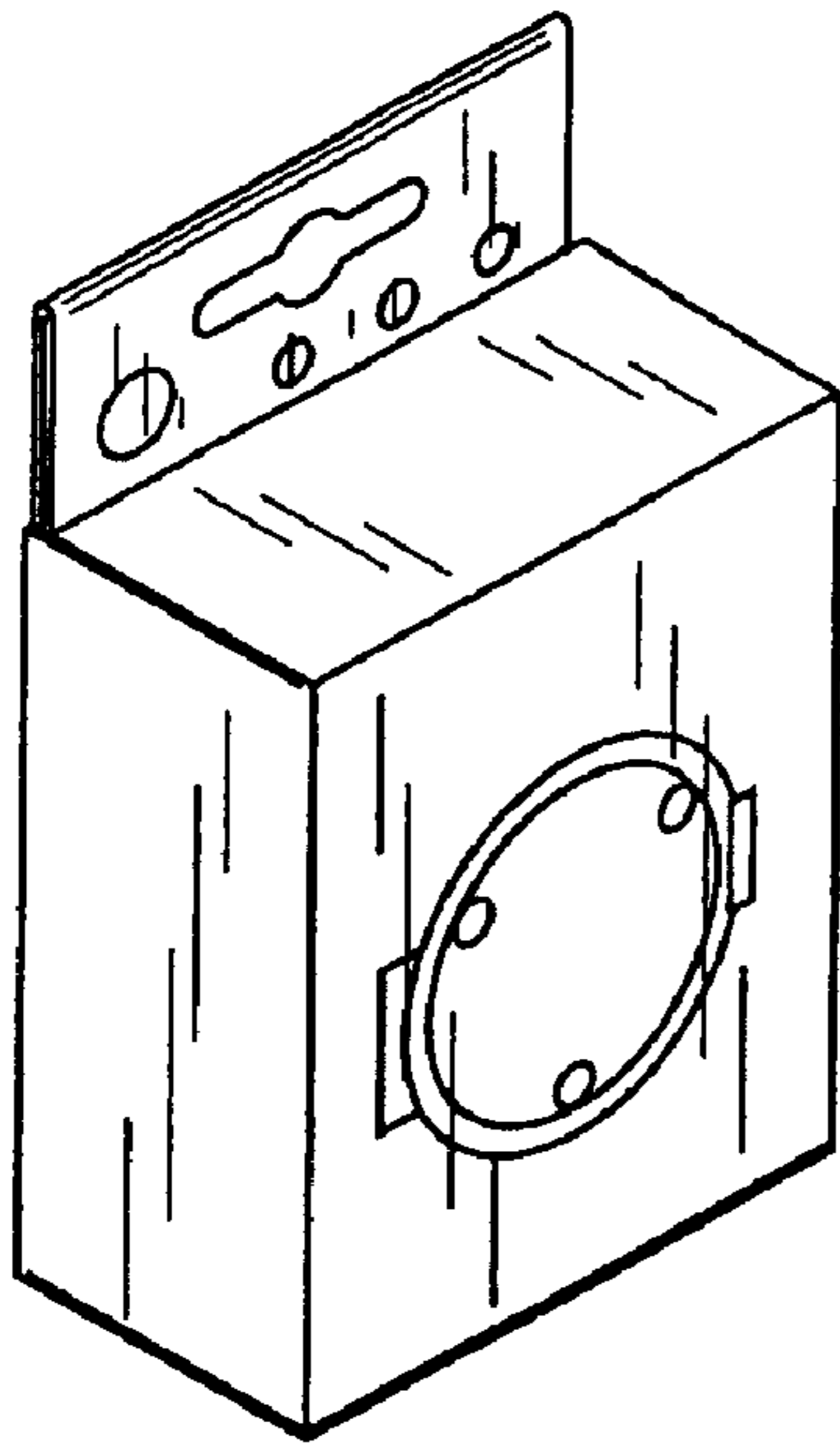


FIG. 1

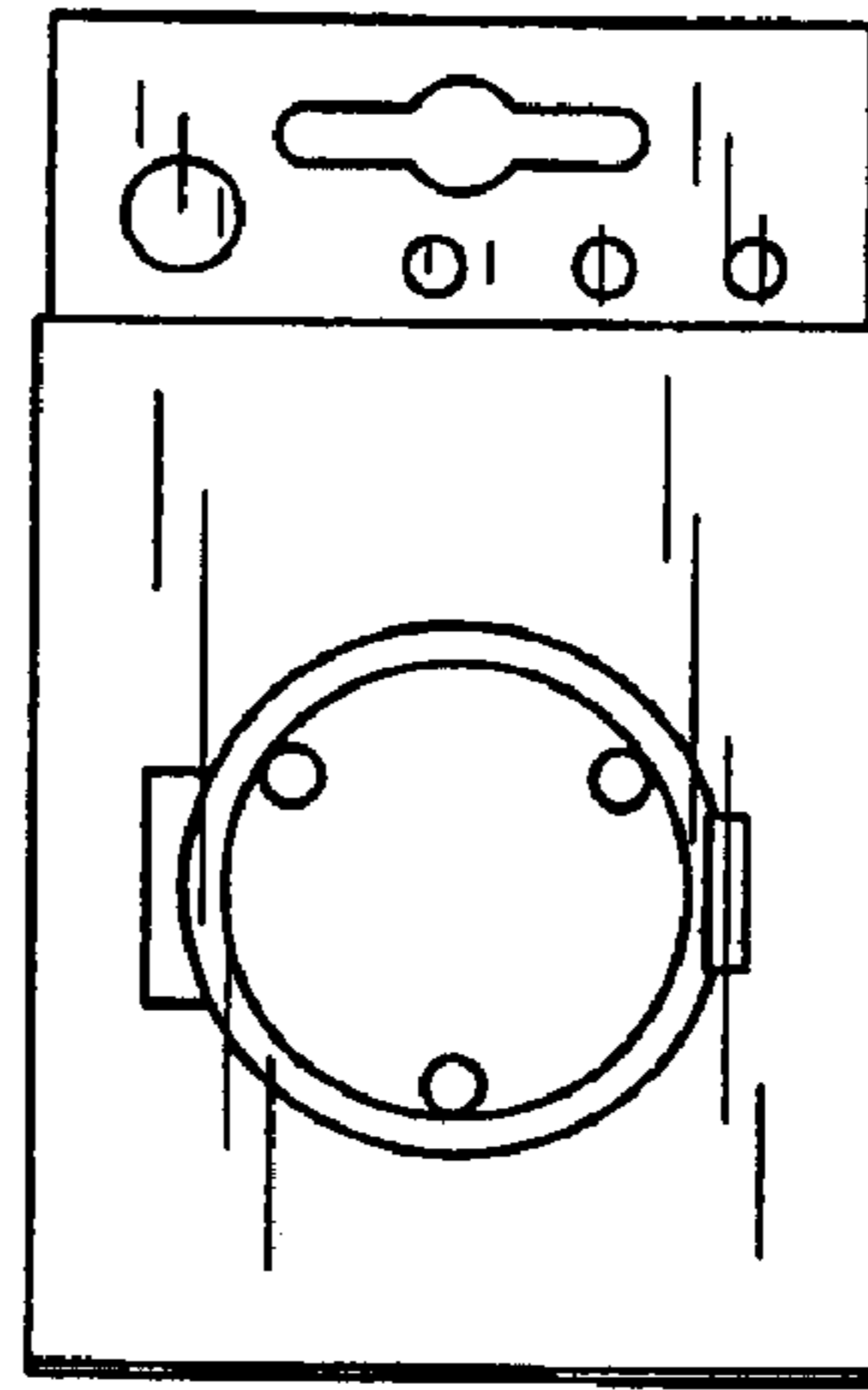


FIG. 2

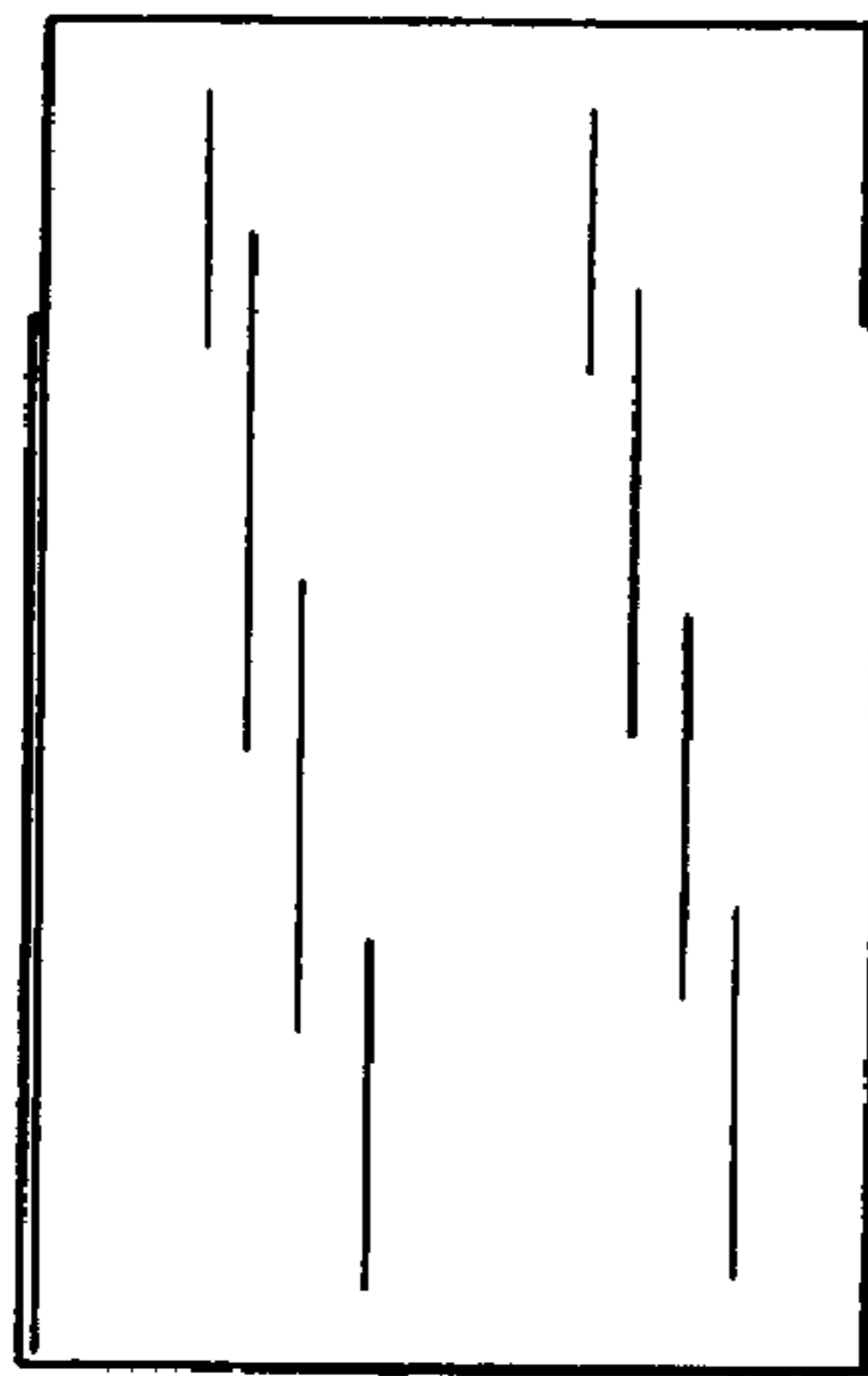


FIG. 3



FIG. 4

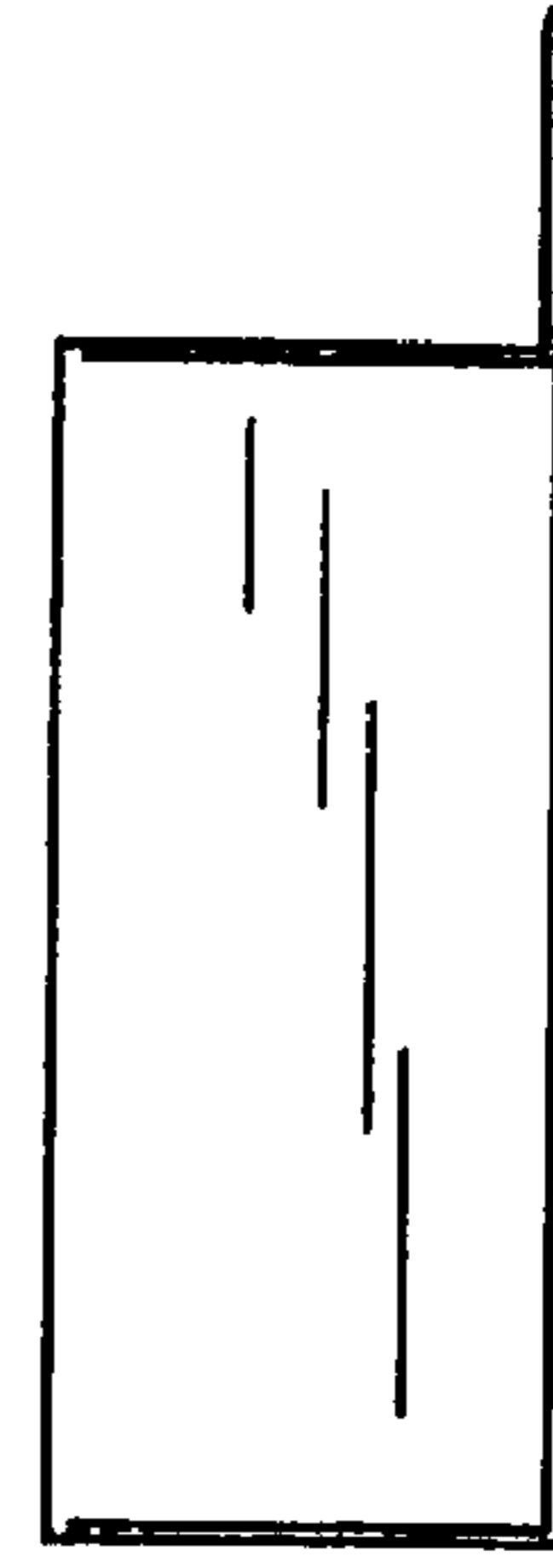


FIG. 5

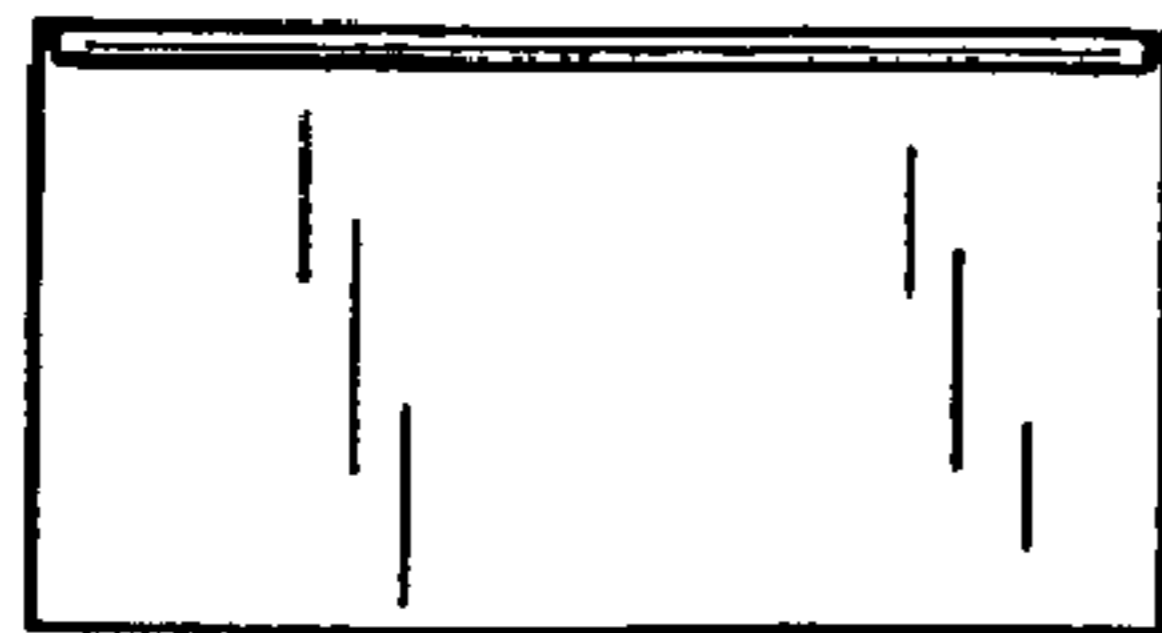


FIG. 6

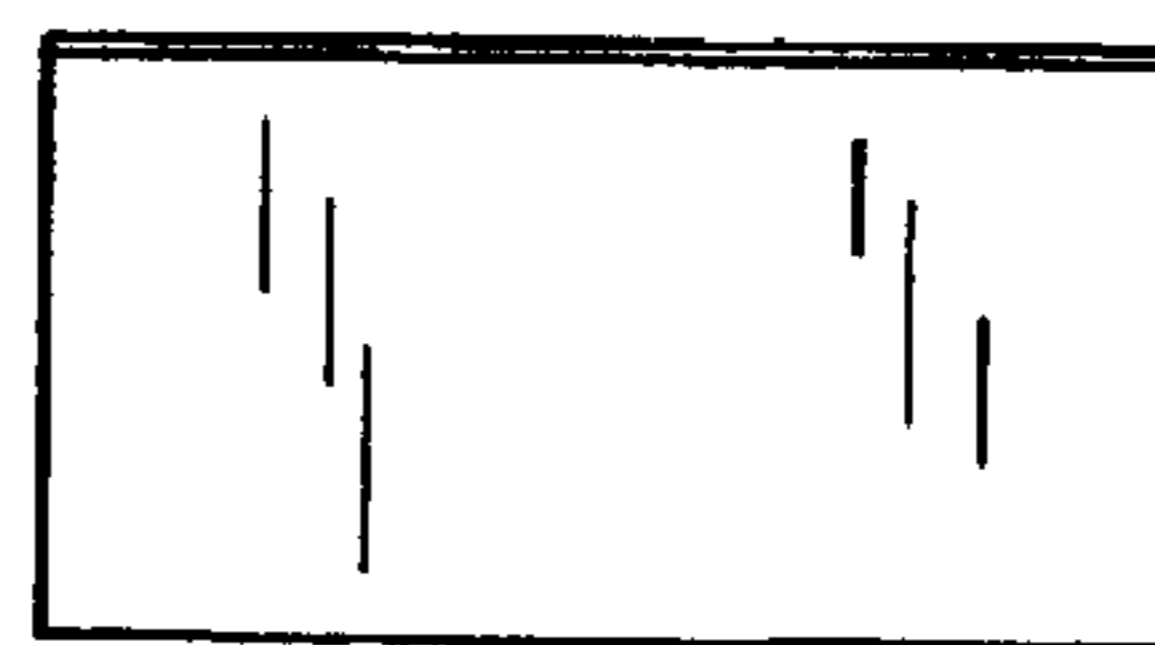


FIG. 7

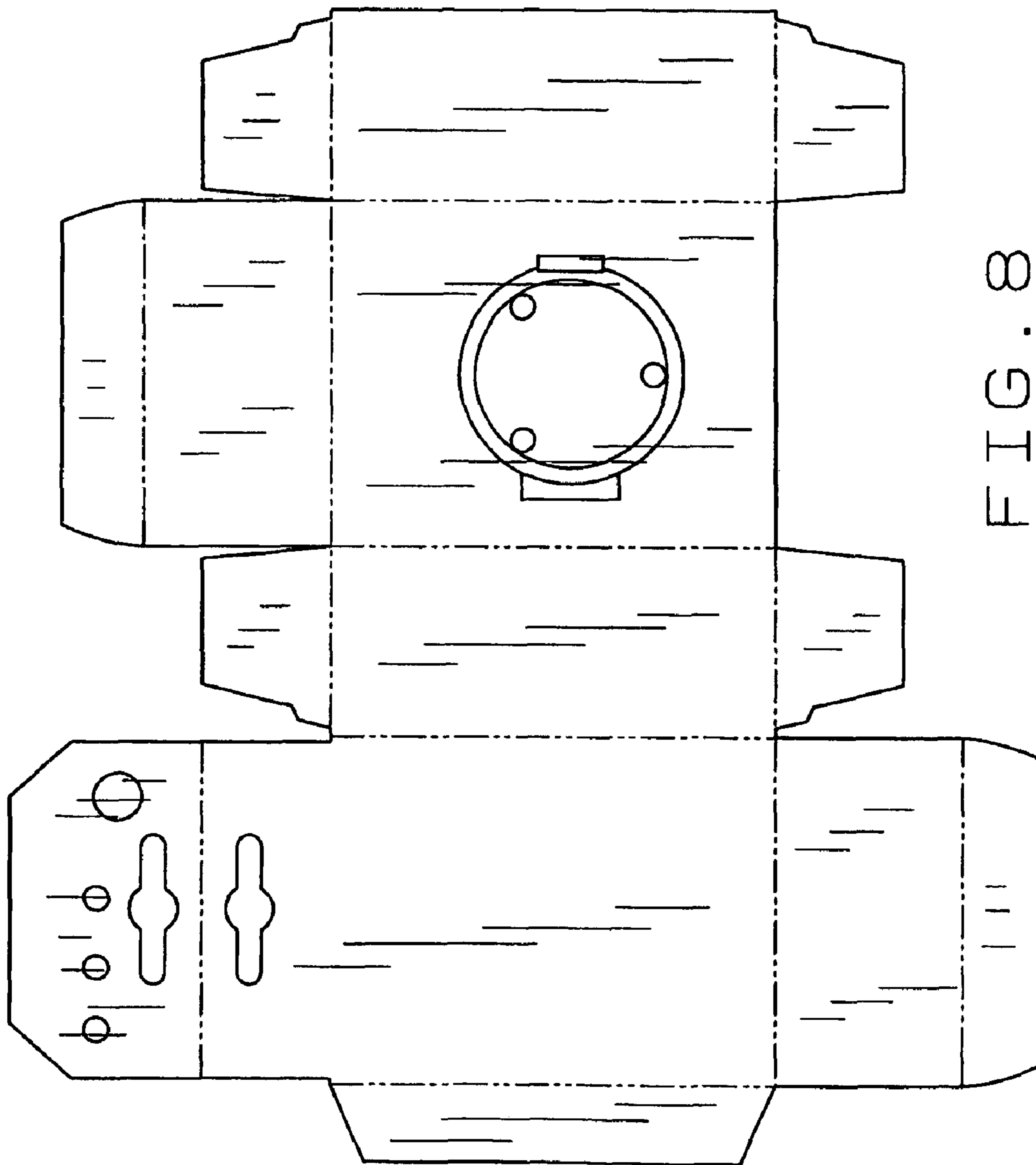


FIG. 8

UNITED STATES PATENT AND TRADEMARK OFFICE
CERTIFICATE OF CORRECTION

PATENT NO. : Des. 538,676 S
APPLICATION NO. : 29/233204
DATED : March 20, 2007
INVENTOR(S) : Jonathan Millen

Page 1 of 1

It is certified that error appears in the above-identified patent and that said Letters Patent is hereby corrected as shown below:

Title page
Item (73) Assignee: should read as follows:
...Orlandi, Inc....

Signed and Sealed this

Twelfth Day of June, 2007

A handwritten signature in black ink on a light gray dotted background. The signature reads "Jon W. Dudas" in a cursive style.

JON W. DUDAS

Director of the United States Patent and Trademark Office