



US00D538661S

(12) **United States Design Patent**
Wolf et al.

(10) **Patent No.: US D538,661 S**
(45) **Date of Patent: ** Mar. 20, 2007**

(54) **BOTTLE**

2006/0157439 A1 * 7/2006 Howell 215/384

(75) Inventors: **John Wolf**, Spring Lake, MI (US);
Dean Lindsay, Wilmette, IL (US); **Joey**
Suntken, Morristown, NJ (US); **Eric**
Ungrady, Mt. Wolf, PA (US); **Justin**
Howell, New Cumberland, PA (US);
Philip Sheets, York, PA (US); **Takao**
Iizuka, Tokyo (JP); **Masaaki Sasaki**,
Tokyo (JP)

FOREIGN PATENT DOCUMENTS

EM 000403969-0001 * 12/2005
EM 000403969-0003 * 12/2005
GB 2084672 * 4/1999

(73) Assignee: **Novartis, AG**, Basel (CH)

(**) Term: **14 Years**

* cited by examiner

Primary Examiner—Stella Reid
Assistant Examiner—Keli L. Acker

(74) *Attorney, Agent, or Firm*—Mekalaradha Masilamani

(21) Appl. No.: **29/224,092**

(22) Filed: **Feb. 24, 2005**

(57) **CLAIM**

What is claimed is the ornamental design of a bottle, as shown and described.

(51) **LOC (8) Cl.** **09-01**

(52) **U.S. Cl.** **D9/516; D9/552**

(58) **Field of Classification Search** D9/516,
D9/550, 552, 565, 682, 686, 688–692, 500,
D9/502, 503–505, 558, 434, 530, 537–543;
215/382–384

DESCRIPTION

See application file for complete search history.

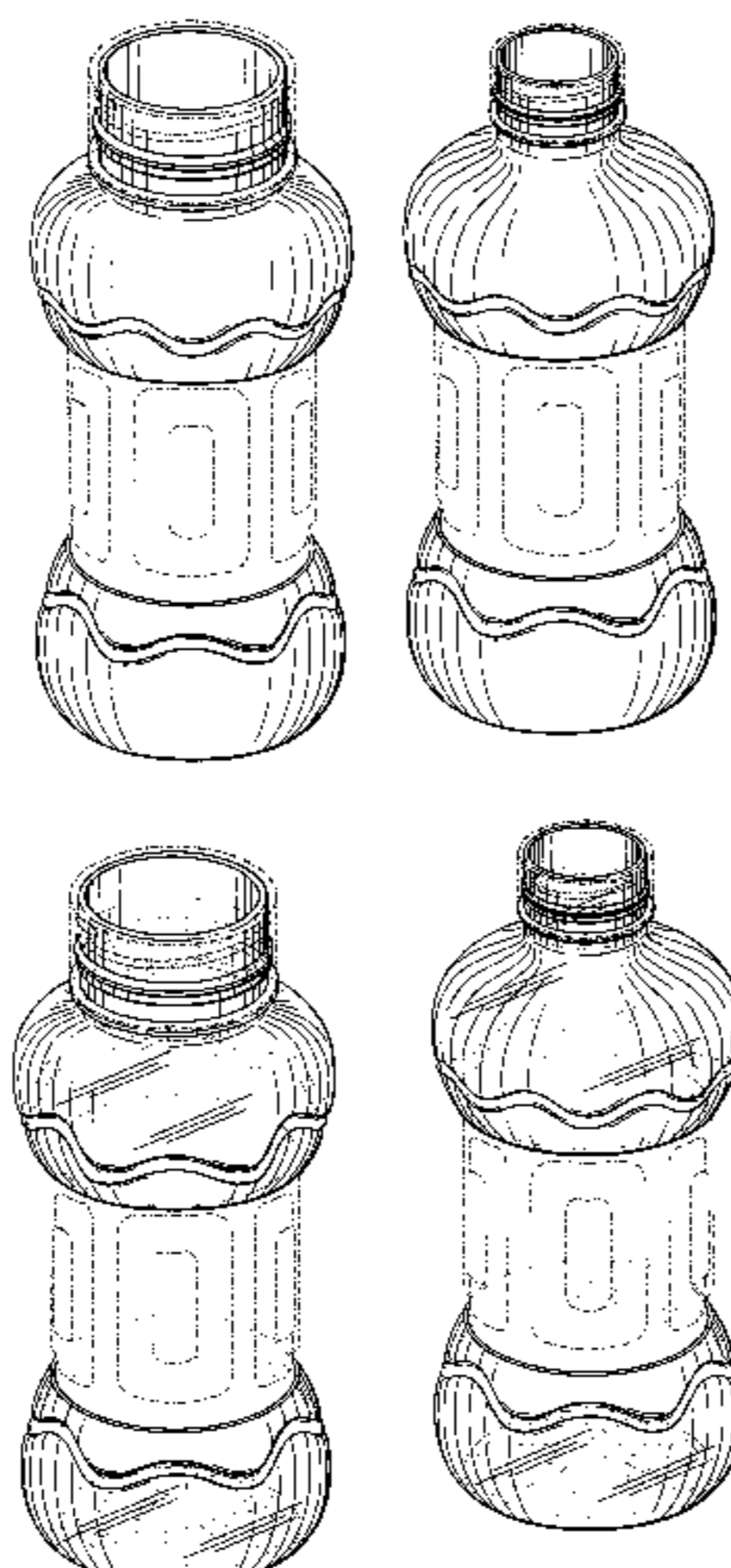
FIG. 1 is a perspective view of a bottle of our new design.
FIG. 2 is a front elevation of the bottle of FIG. 1.
FIG. 3 is a rear elevation of the bottle of FIG. 1.
FIG. 4 is a top plan view of the bottle of FIG. 1.
FIG. 5 is a bottom plan view of the bottle of FIG. 1.
FIG. 6 is a perspective view of a further embodiment of a bottle or our new design.
FIG. 7 is a front elevation of the bottle of FIG. 6.
FIG. 8 is a rear elevation of the bottle of FIG. 6.
FIG. 9 is a top plan view of the bottle of FIG. 6.
FIG. 10 is a bottom plan view of the bottle of FIG. 6.
FIG. 11 is a perspective view of a further embodiment of a bottle or our new design.
FIG. 12 is a front elevation of the bottle of FIG. 11.
FIG. 13 is a rear elevation of the bottle of FIG. 11.
FIG. 14 is a top plan view of the bottle of FIG. 11.
FIG. 15 is a bottom plan view of the bottle of FIG. 11.
FIG. 16 is a perspective view of a further embodiment of a bottle or our new design.
FIG. 17 is a front elevation of the bottle of FIG. 16.
FIG. 18 is a rear elevation of the bottle of FIG. 16.
FIG. 19 is a top plan view of the bottle of FIG. 16; and,
FIG. 20 is a bottom plan view of the bottle of FIG. 16.
The broken line showing of the bottle is included for the purpose of illustrating portions of the bottle and forms no part of the claimed design.

(56) **References Cited**

U.S. PATENT DOCUMENTS

D315,409 S 3/1991 Baarber
D353,518 S * 12/1994 Cautereels et al. D7/560
D412,085 S 7/1999 Roush et al.
D412,281 S * 7/1999 Lindsay et al. D9/500
D434,273 S 11/2000 Johansen et al.
D445,033 S * 7/2001 Bretz et al. D9/520
D456,714 S 5/2002 Brauner et al.
D466,813 S 12/2002 Thierjung et al.
D466,819 S 12/2002 Darr et al.
D467,179 S * 12/2002 Nelson et al. D9/503
6,513,379 B2 2/2003 Meyers et al.
D475,890 S 6/2003 Mazonkey
D479,999 S 9/2003 Moore
D504,063 S * 4/2005 Bretz et al. D9/551
D506,139 S * 6/2005 Zboch et al. D9/552
2002/0070193 A1 6/2002 Mero
2004/0155008 A1 8/2004 Lane et al.
2004/0200799 A1 10/2004 Yourist et al.

1 Claim, 16 Drawing Sheets



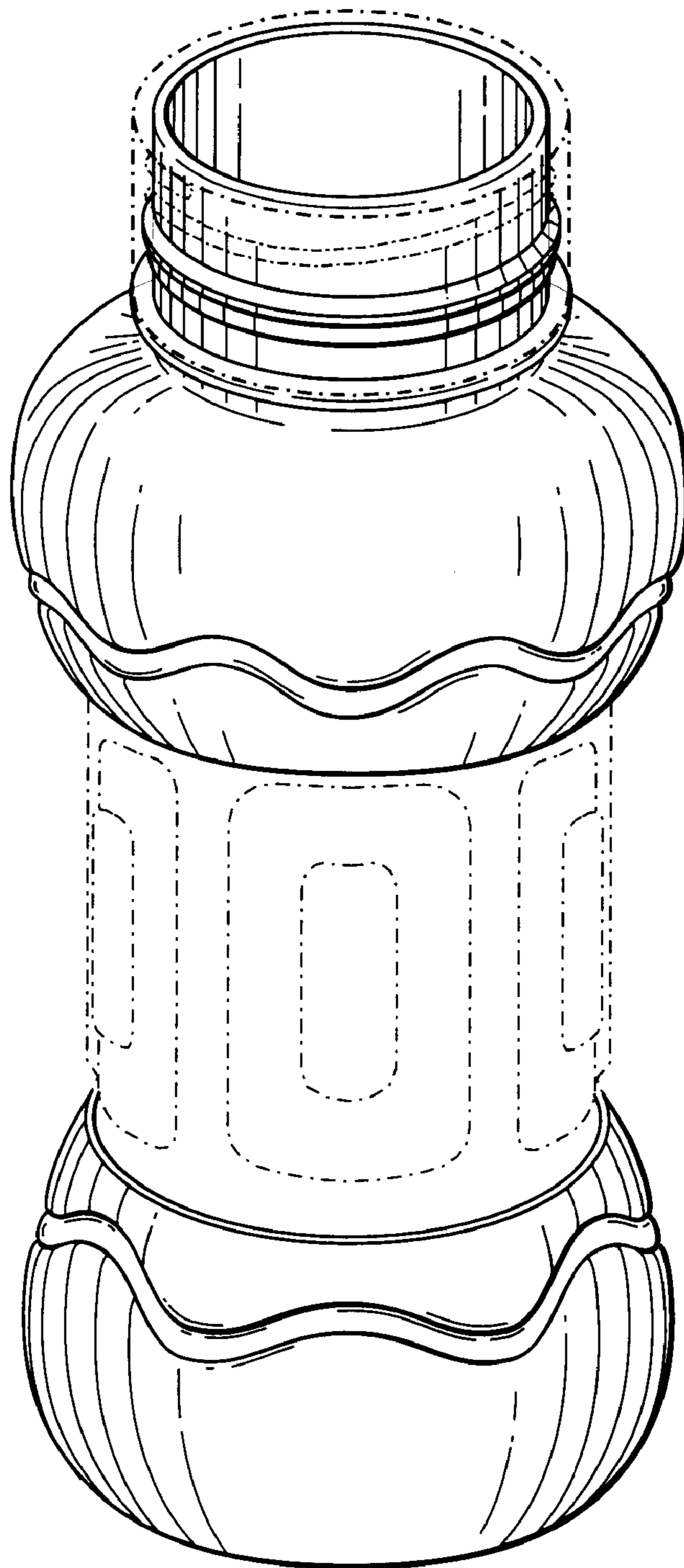


FIG. 1

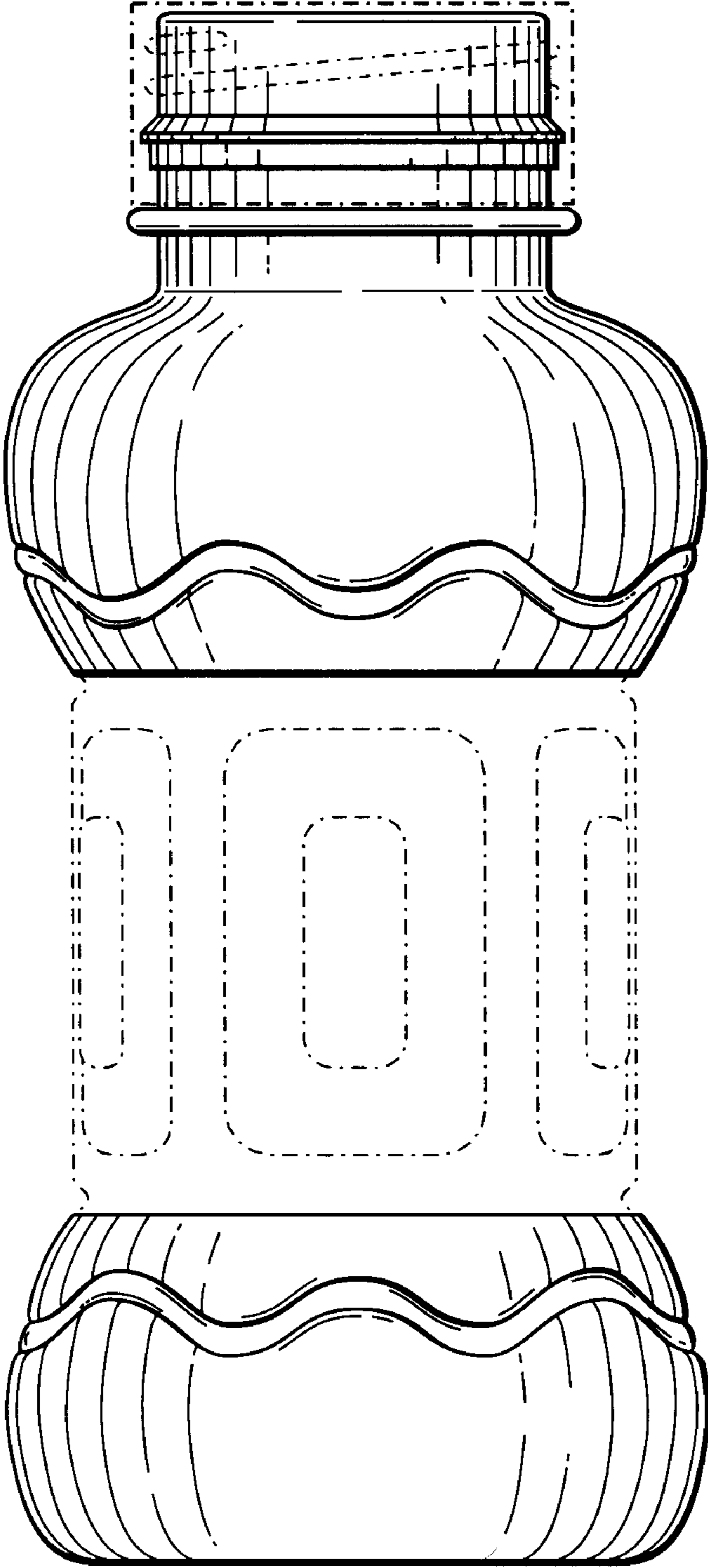


FIG. 2

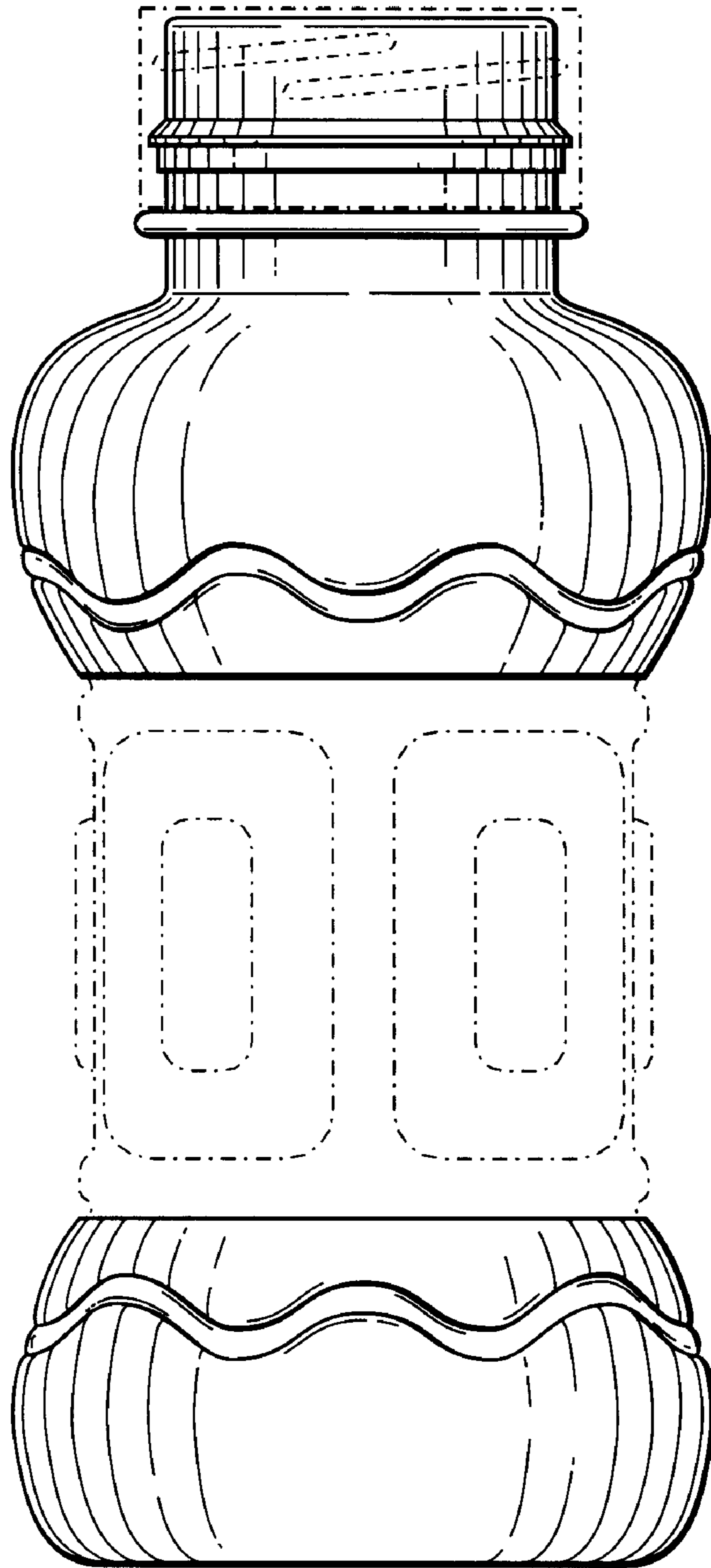


FIG. 3

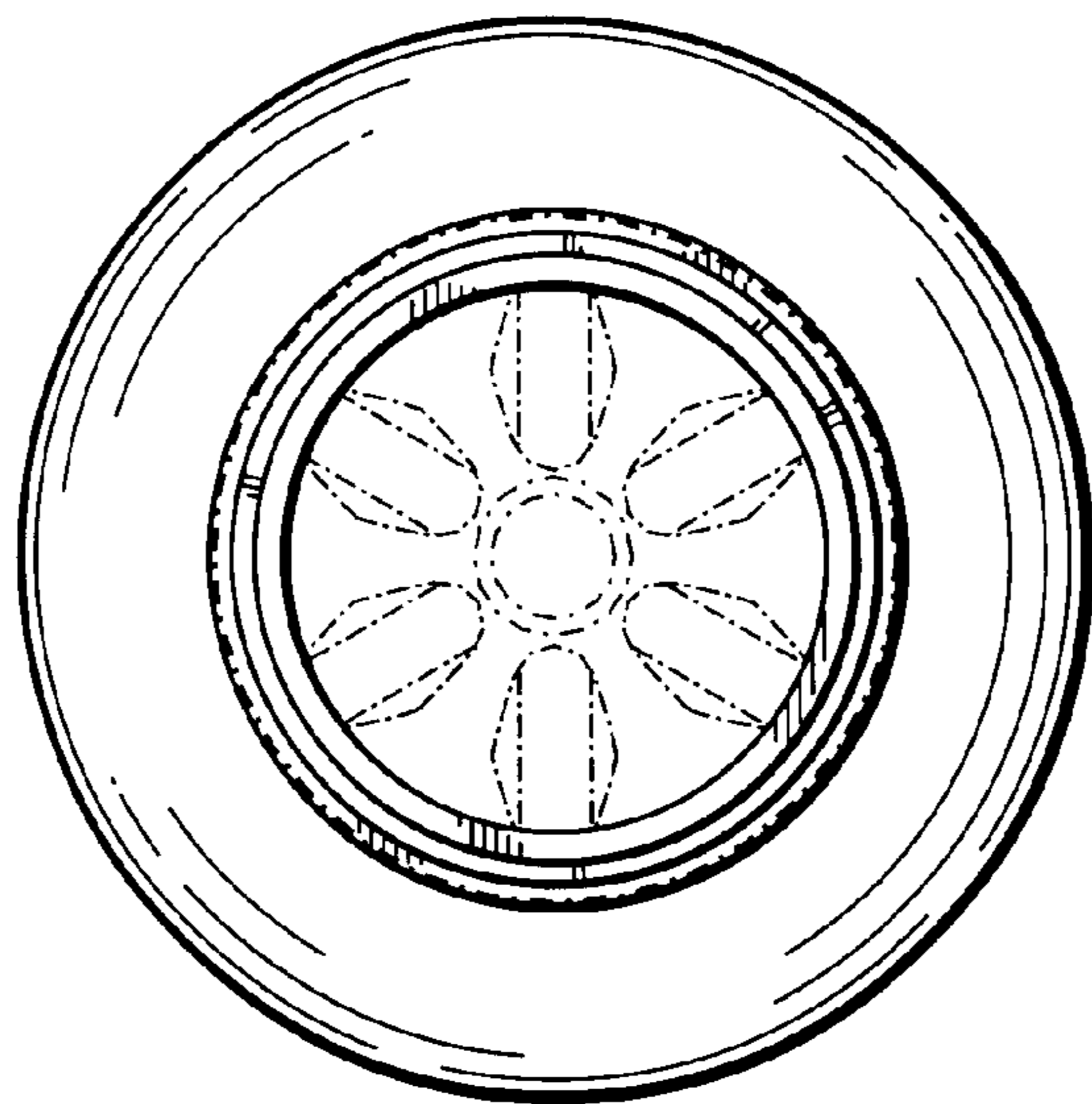


FIG. 4

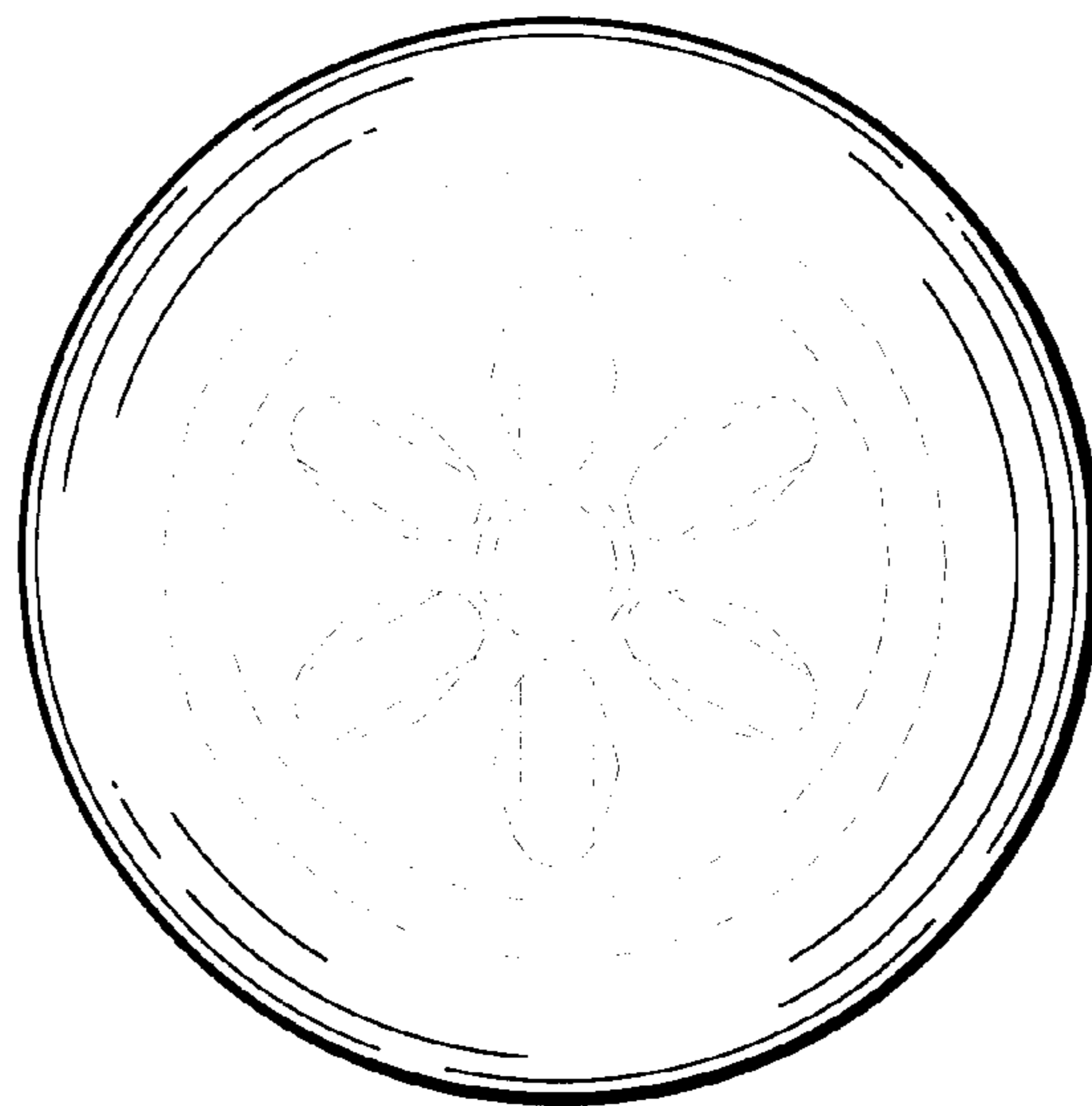


FIG. 5

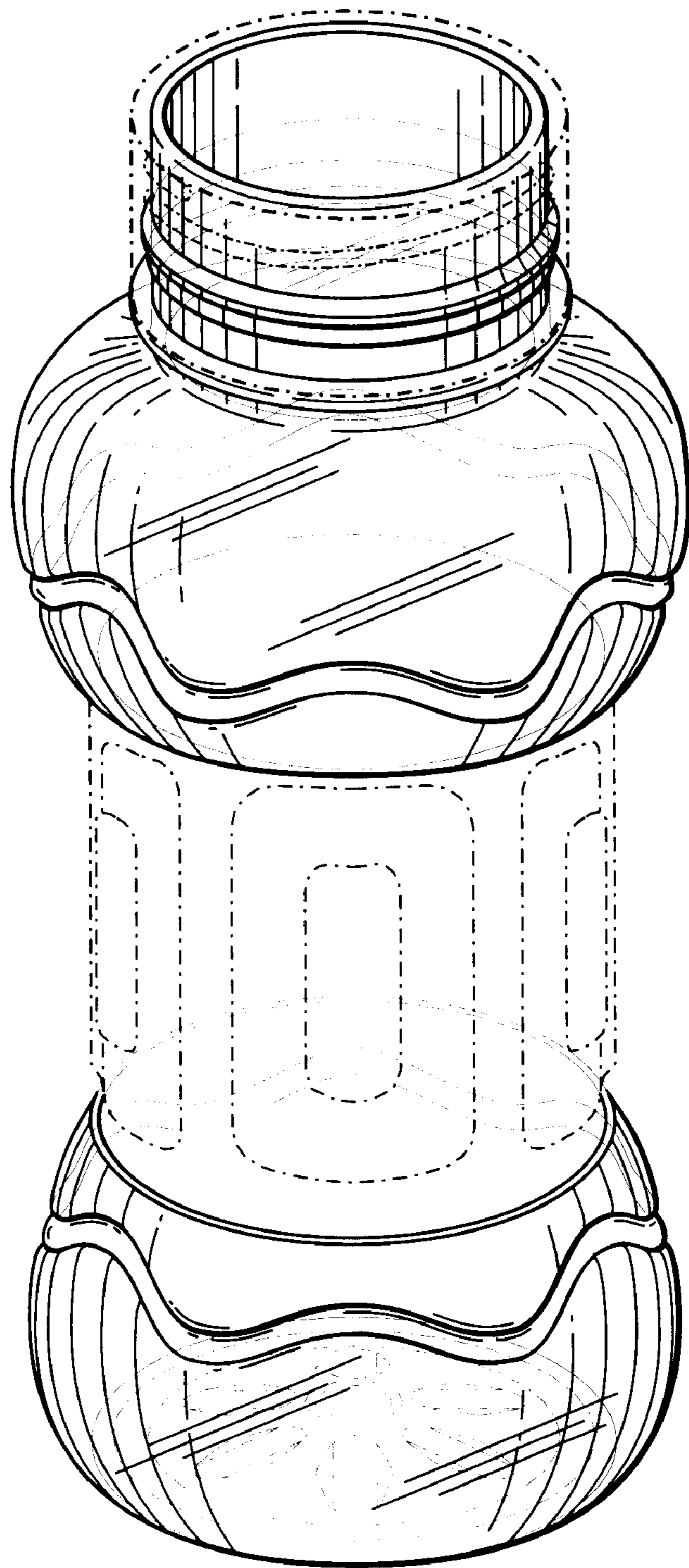


FIG. 6

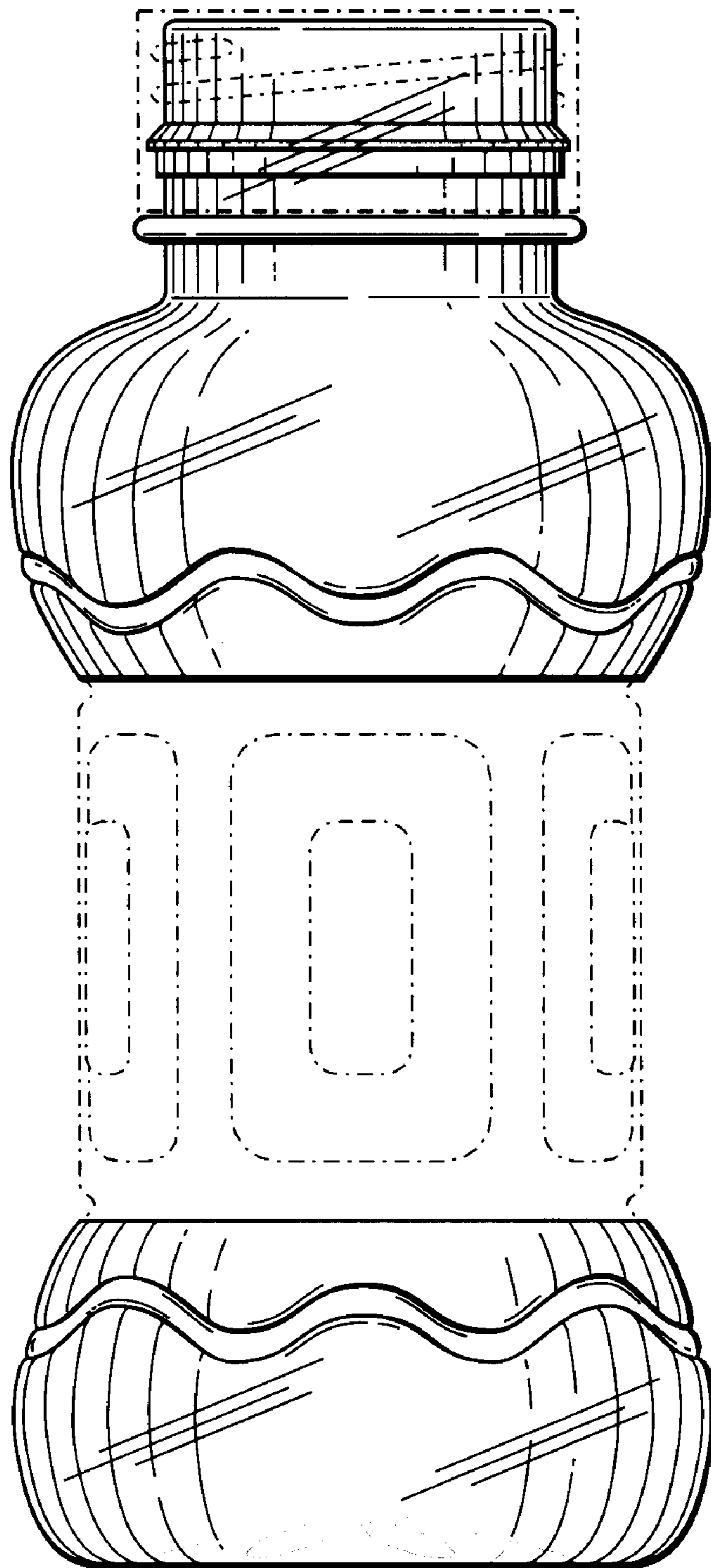


FIG. 7

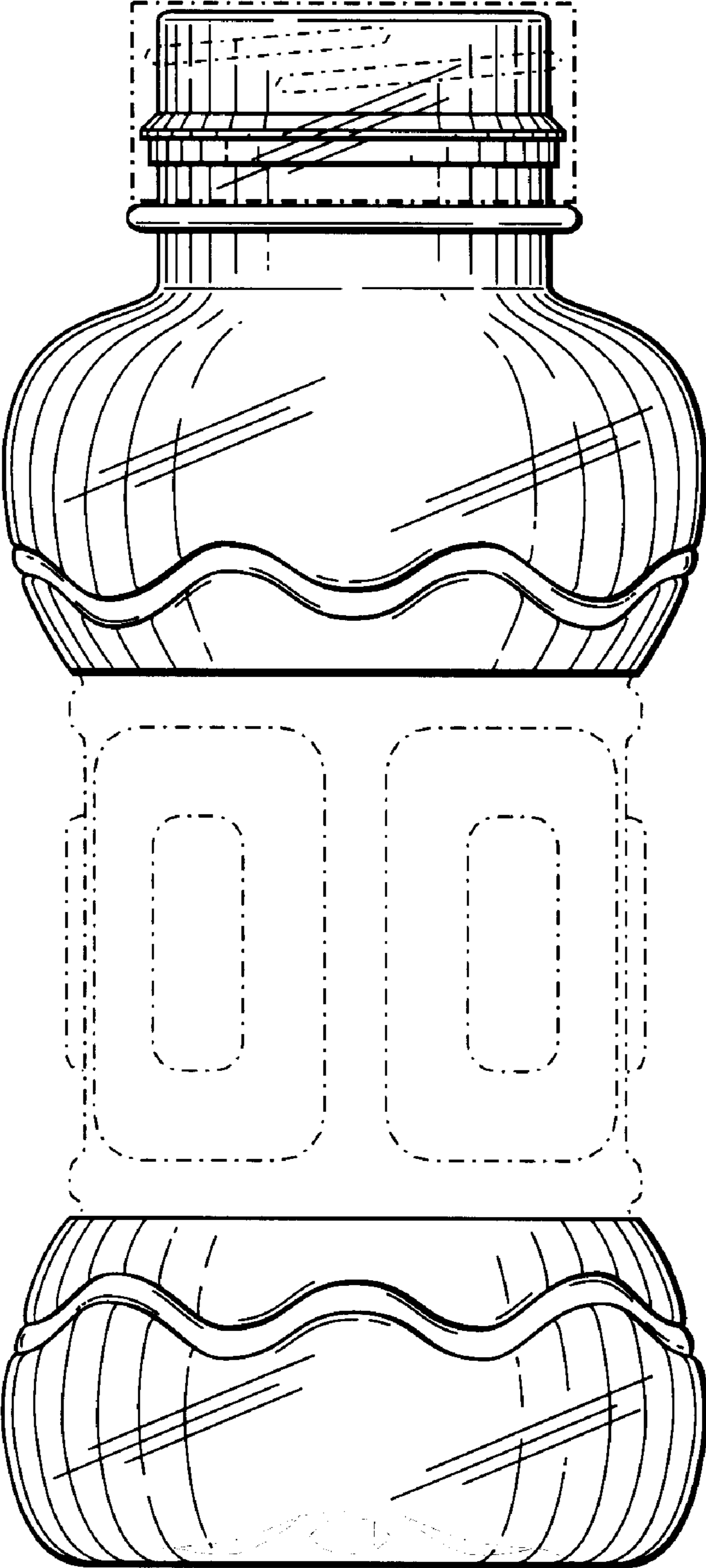


FIG. 8

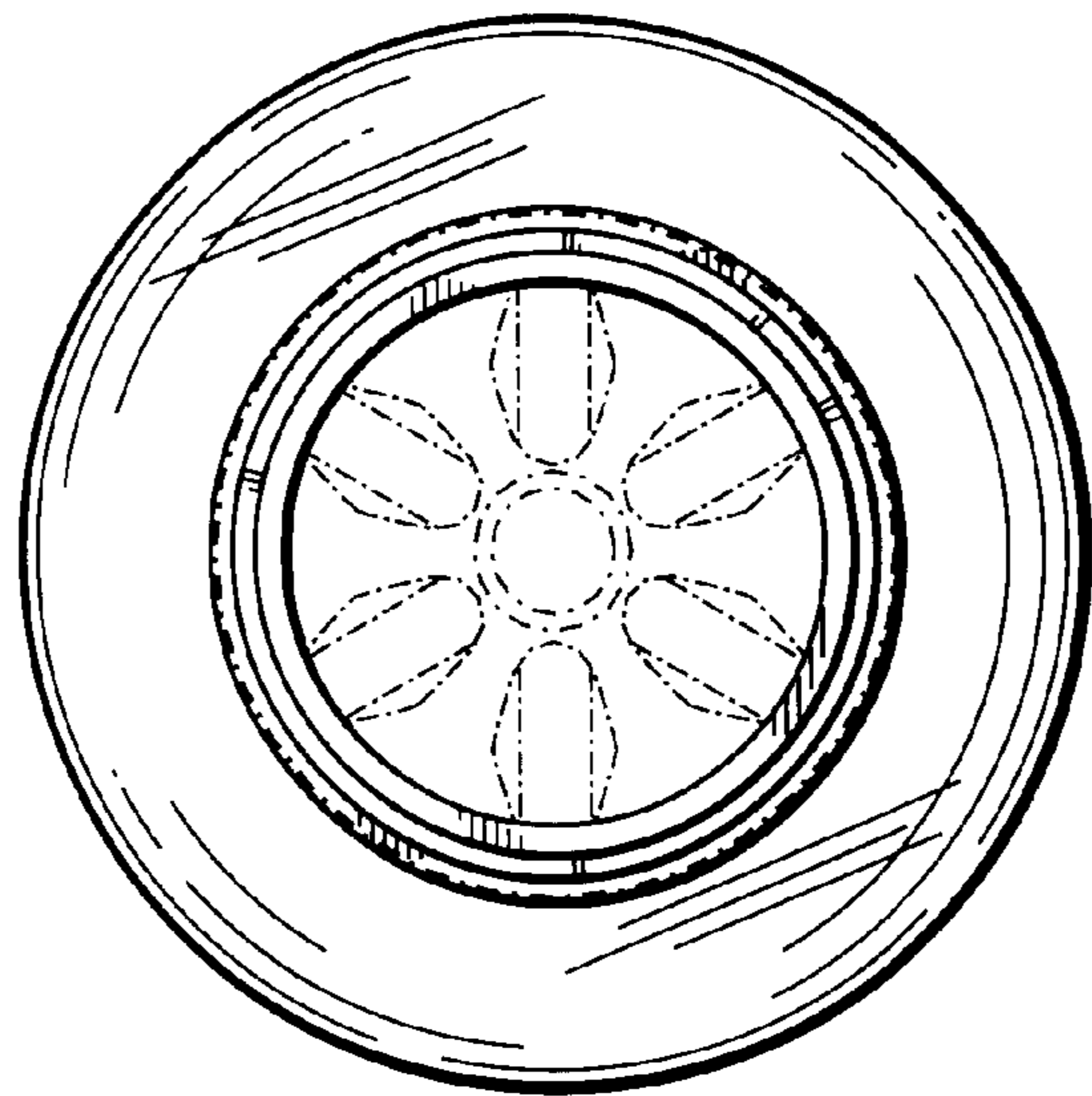


FIG. 9

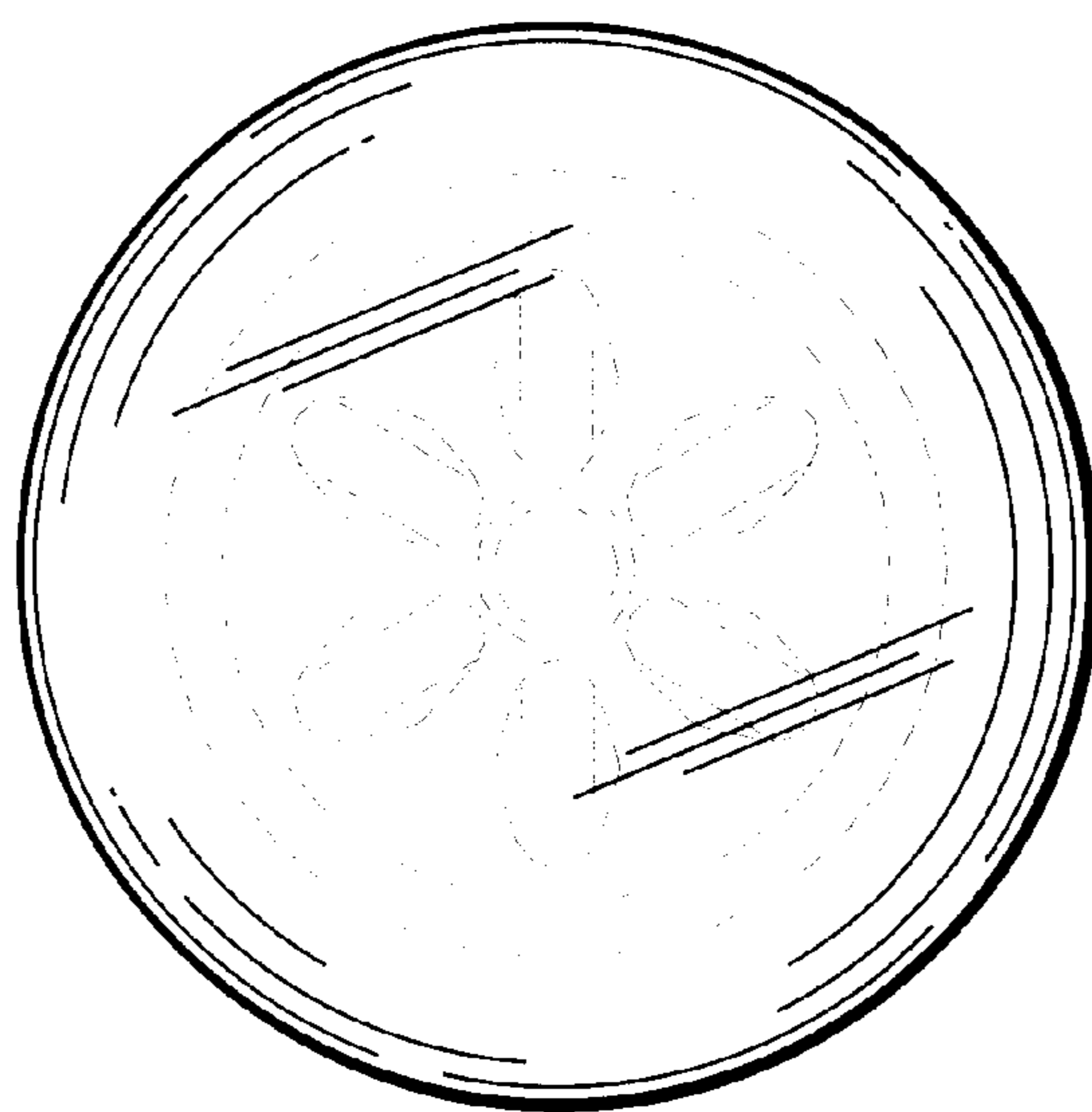


FIG. 10

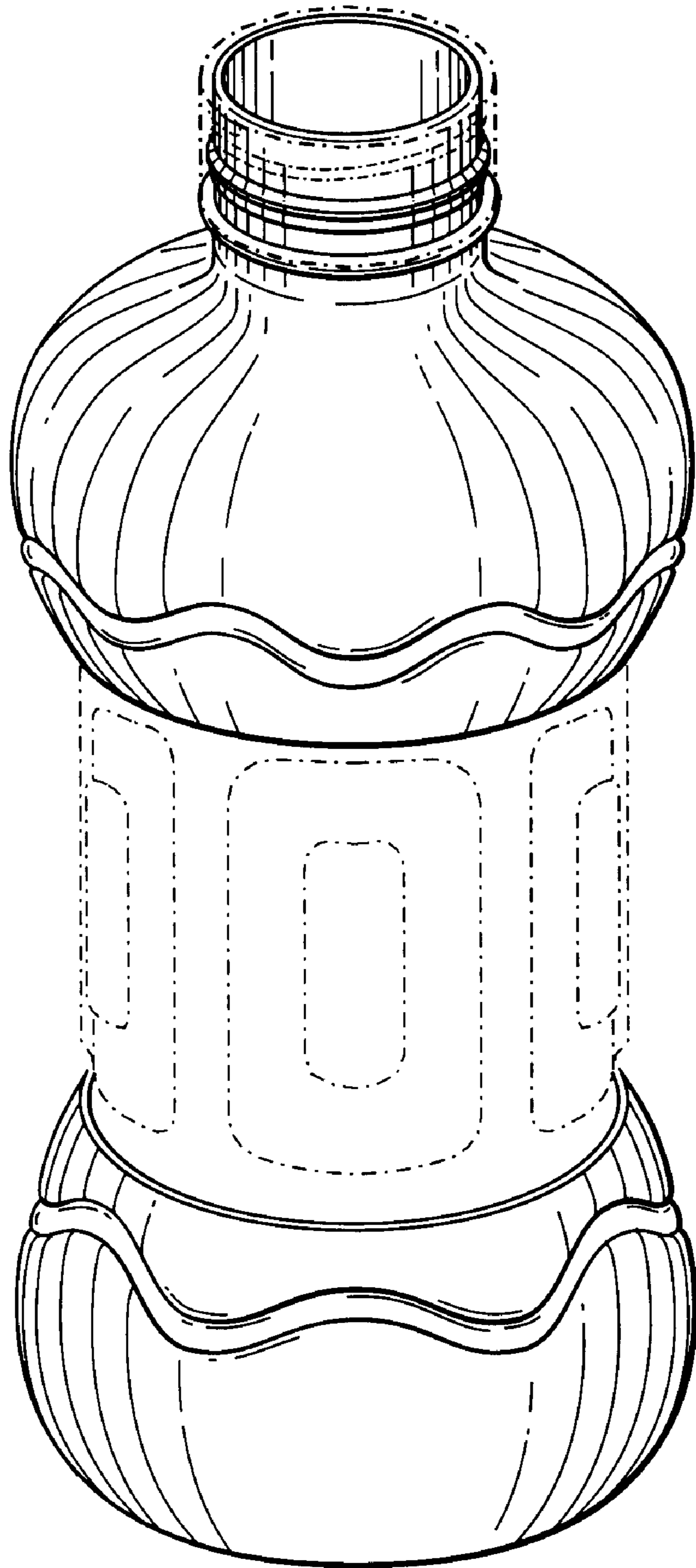


FIG. 11

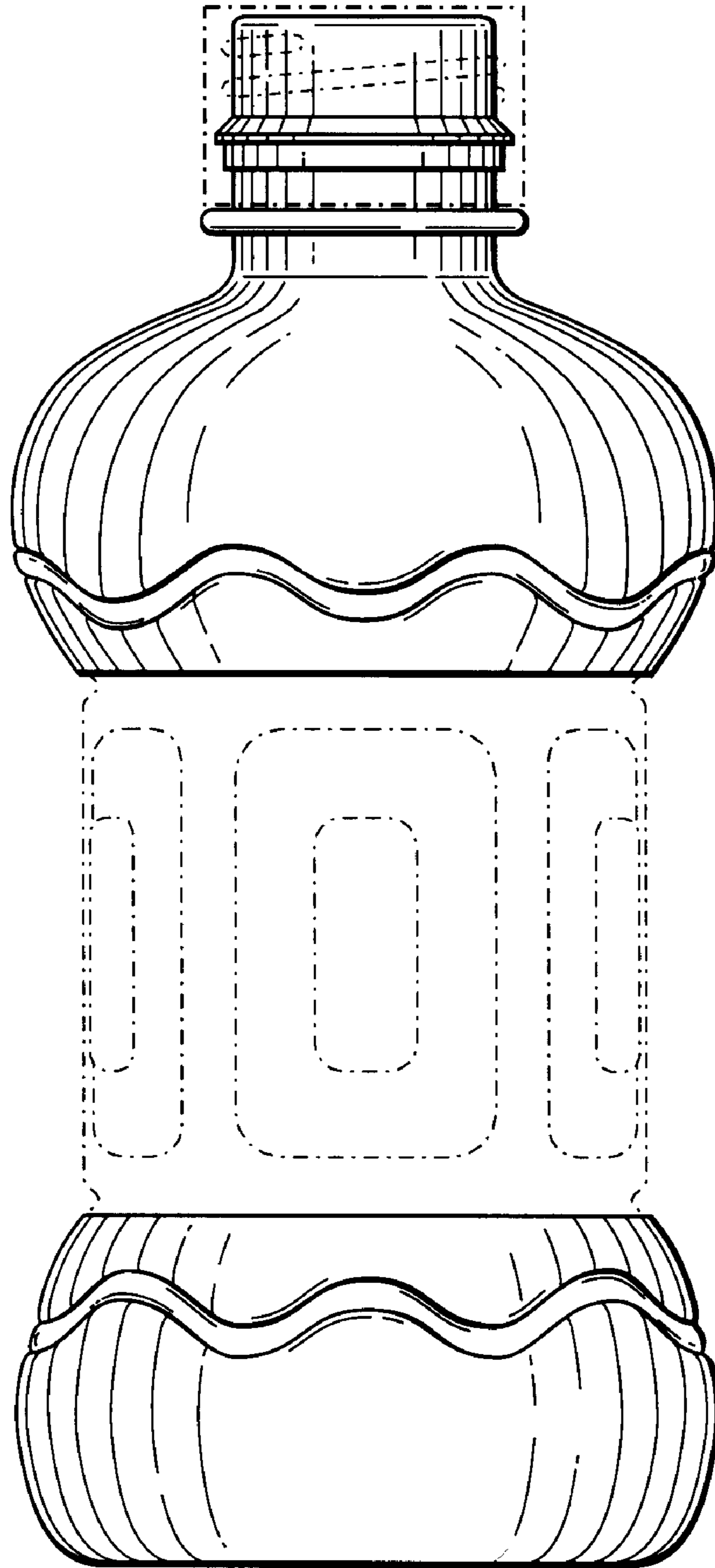


FIG. 12

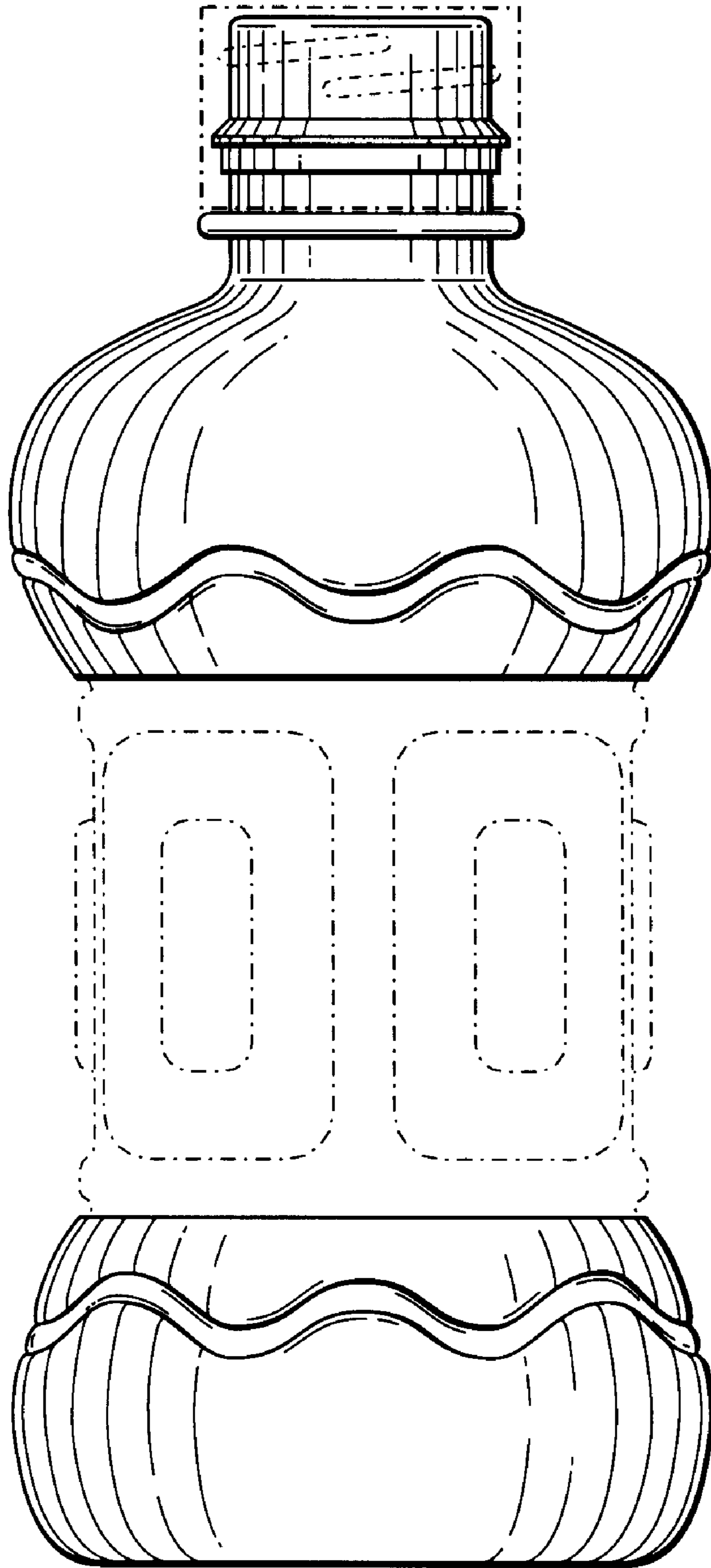


FIG. 13

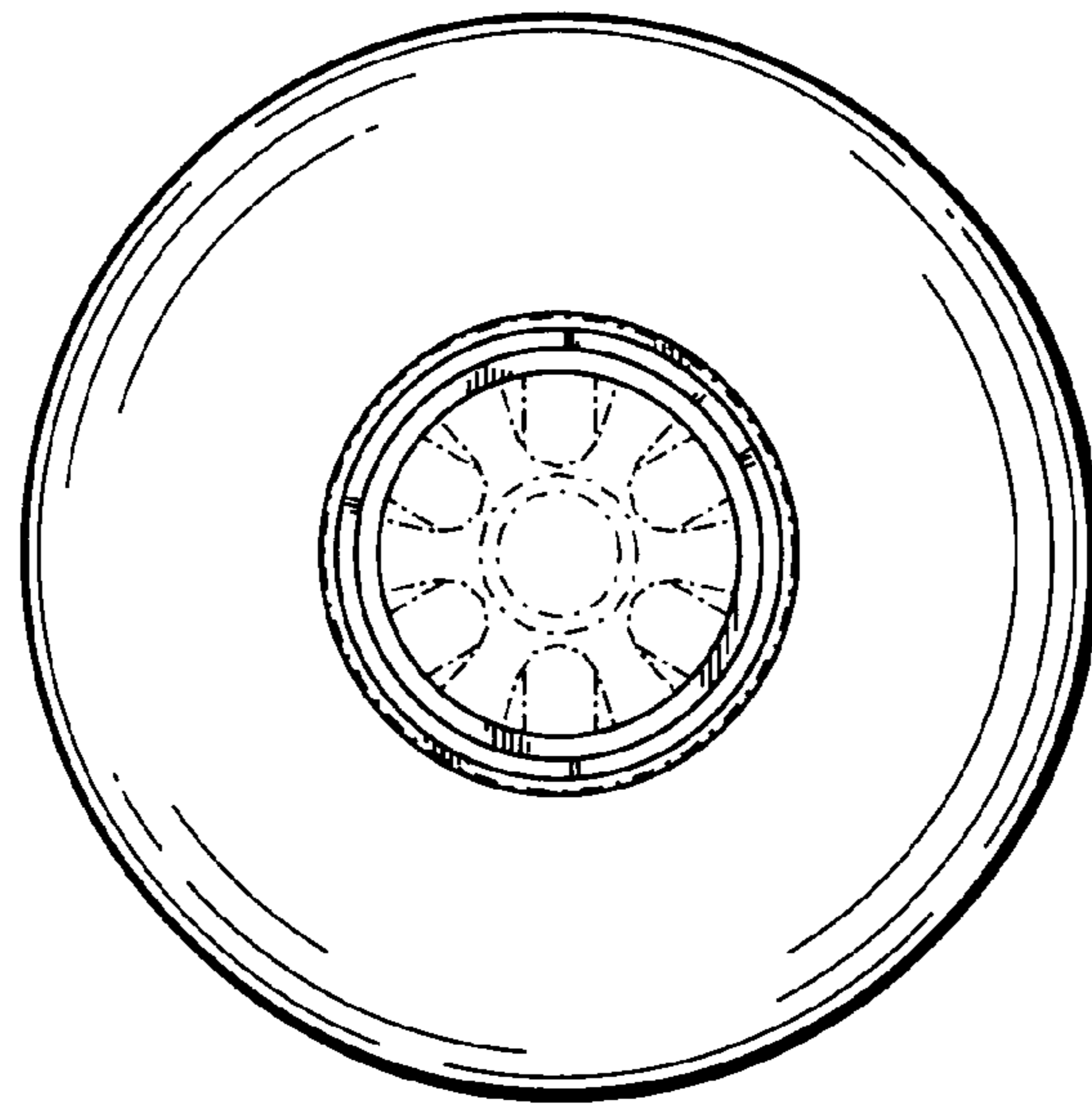


FIG. 14

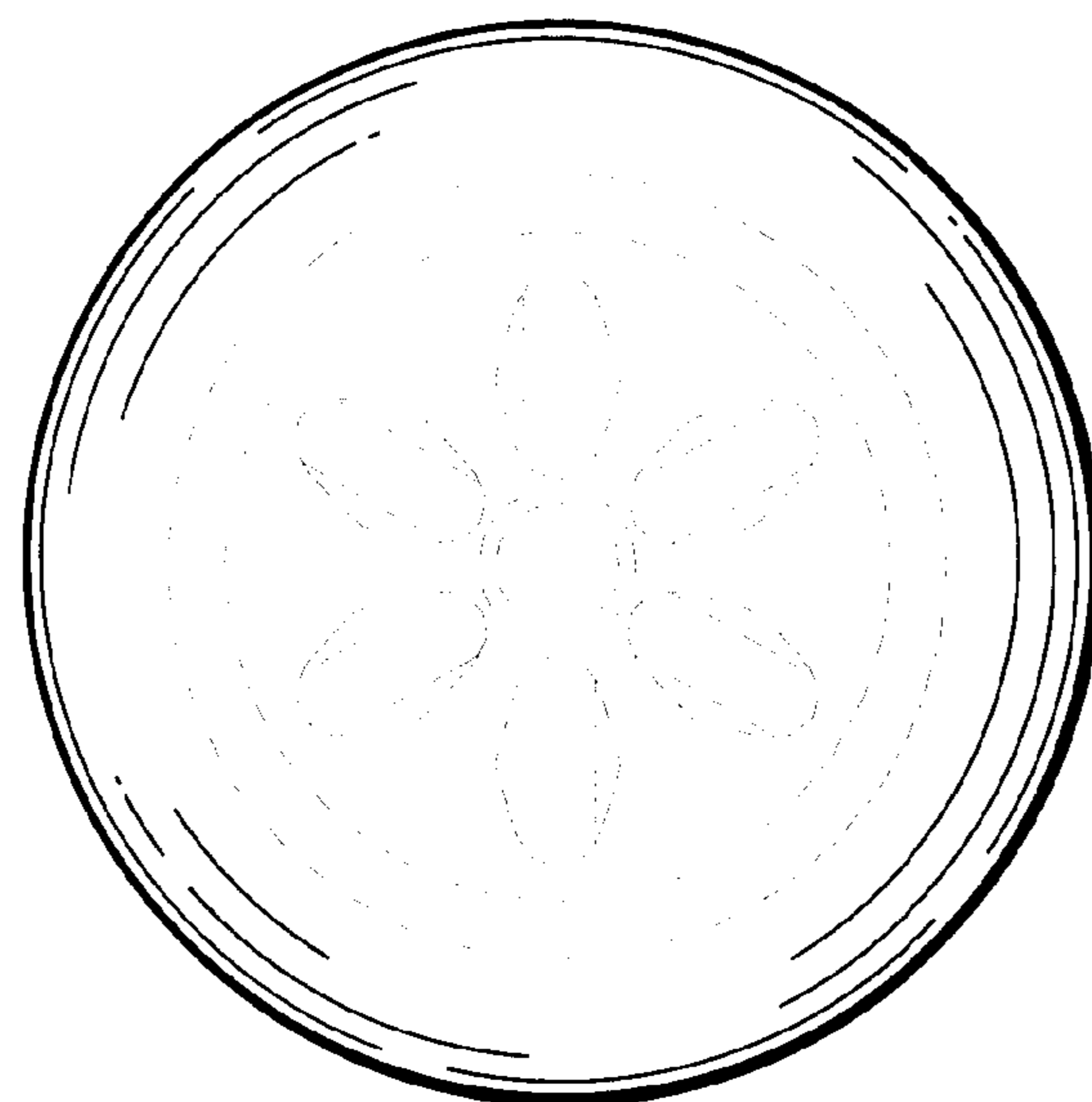


FIG. 15

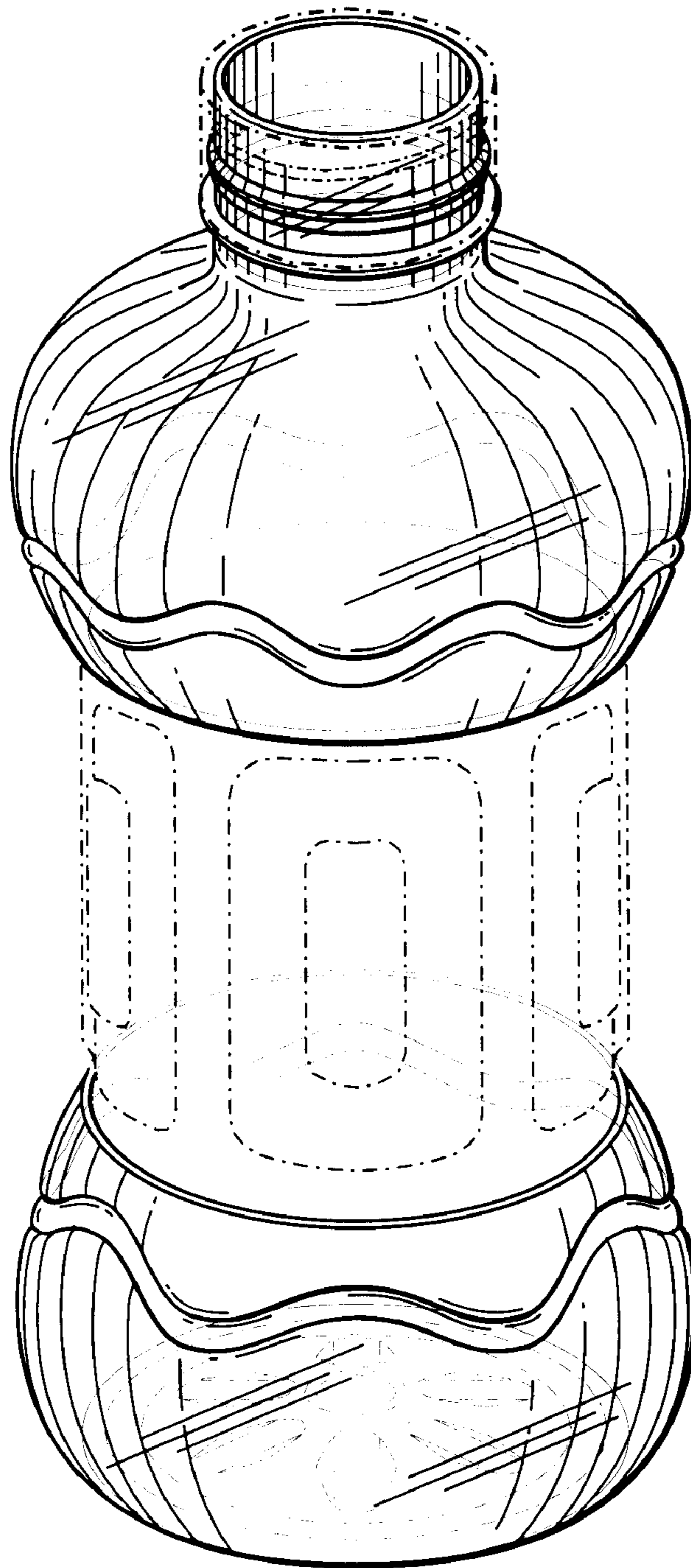


FIG. 16

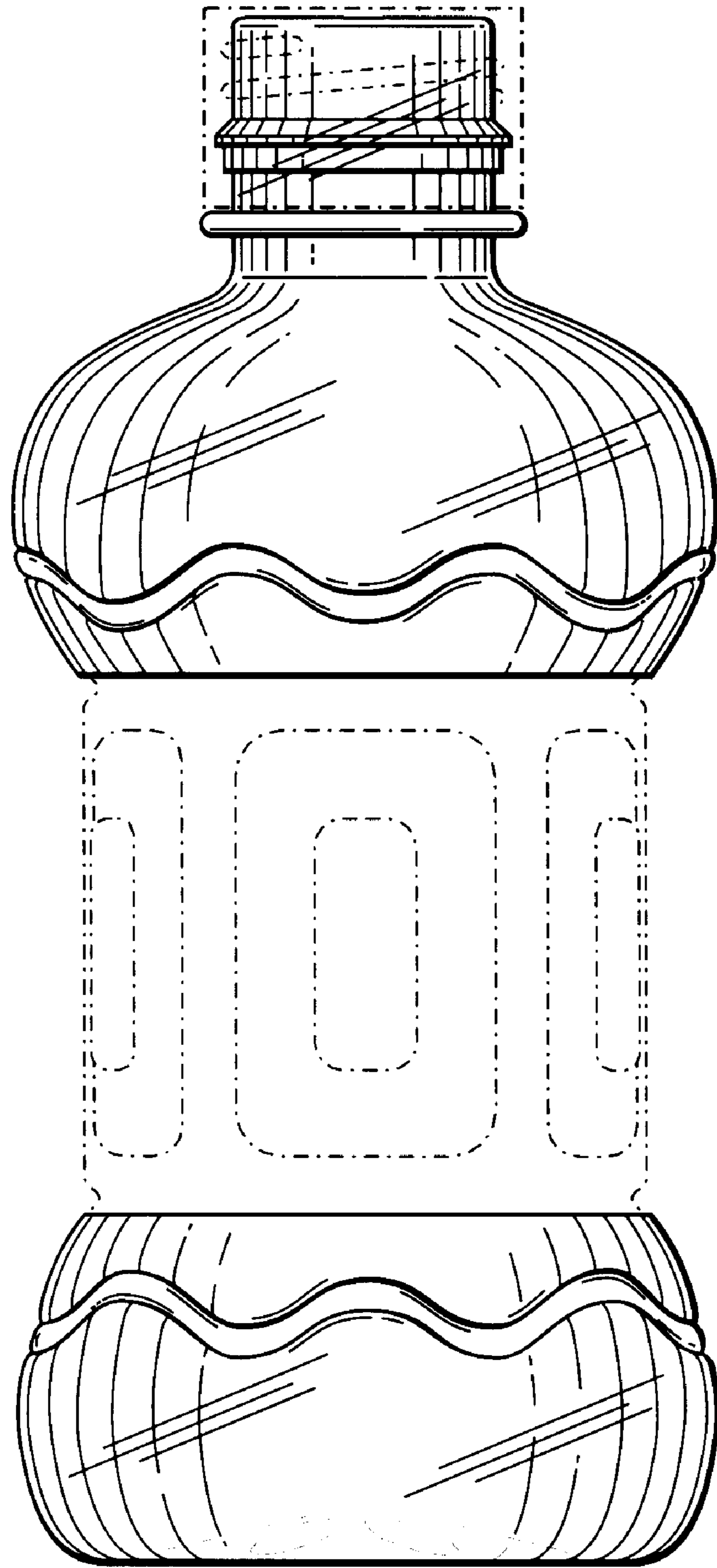


FIG. 17

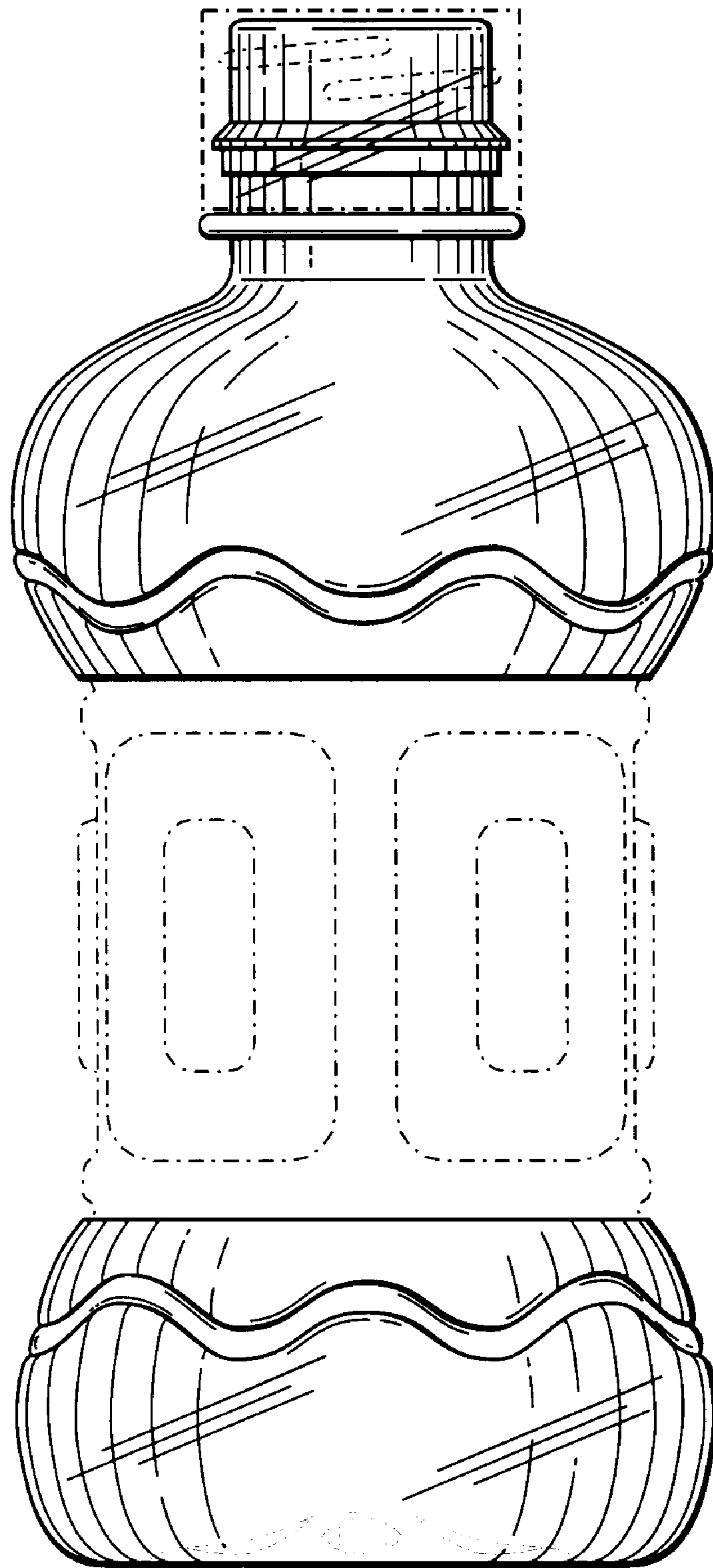


FIG. 18

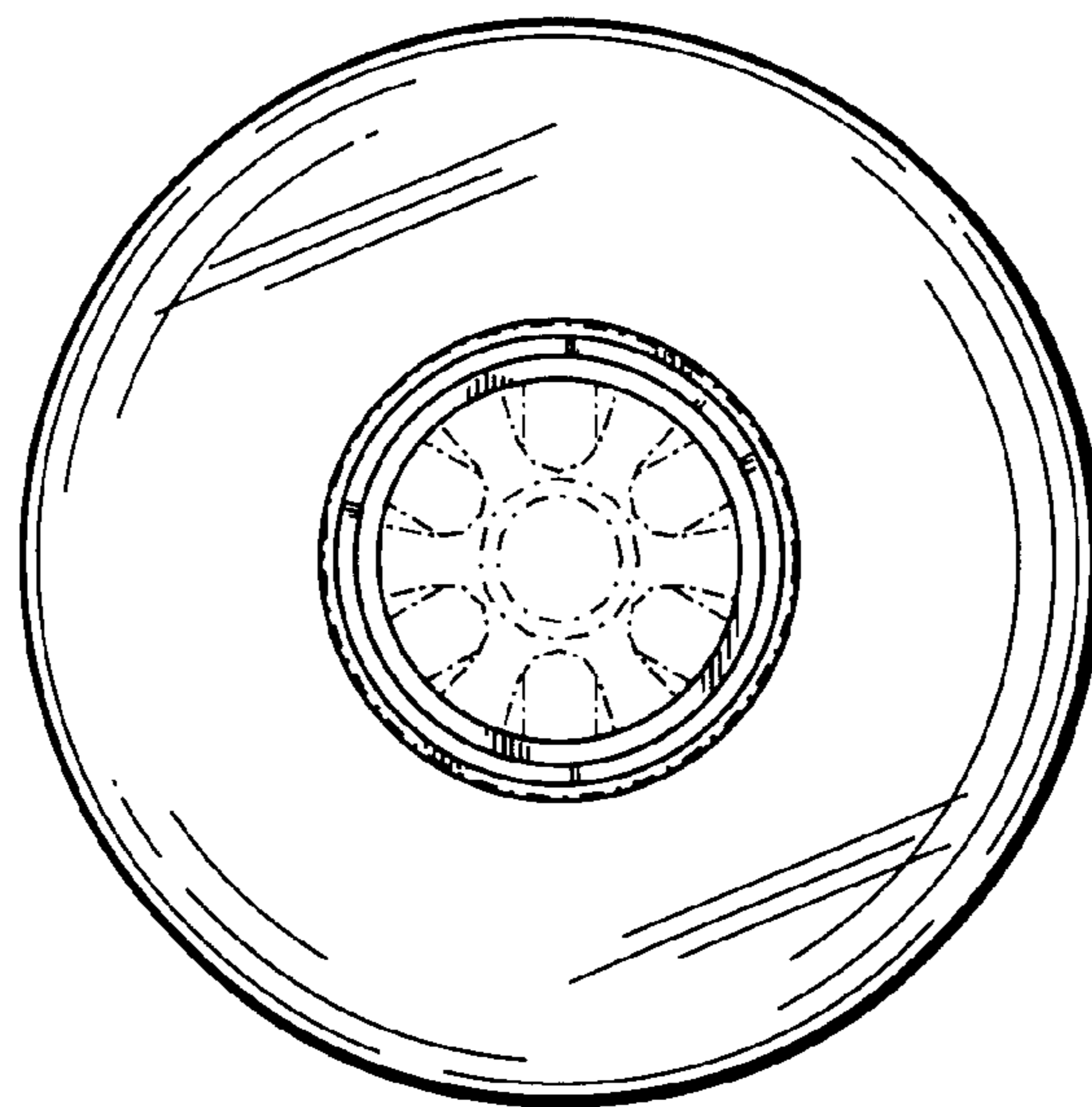


FIG. 19

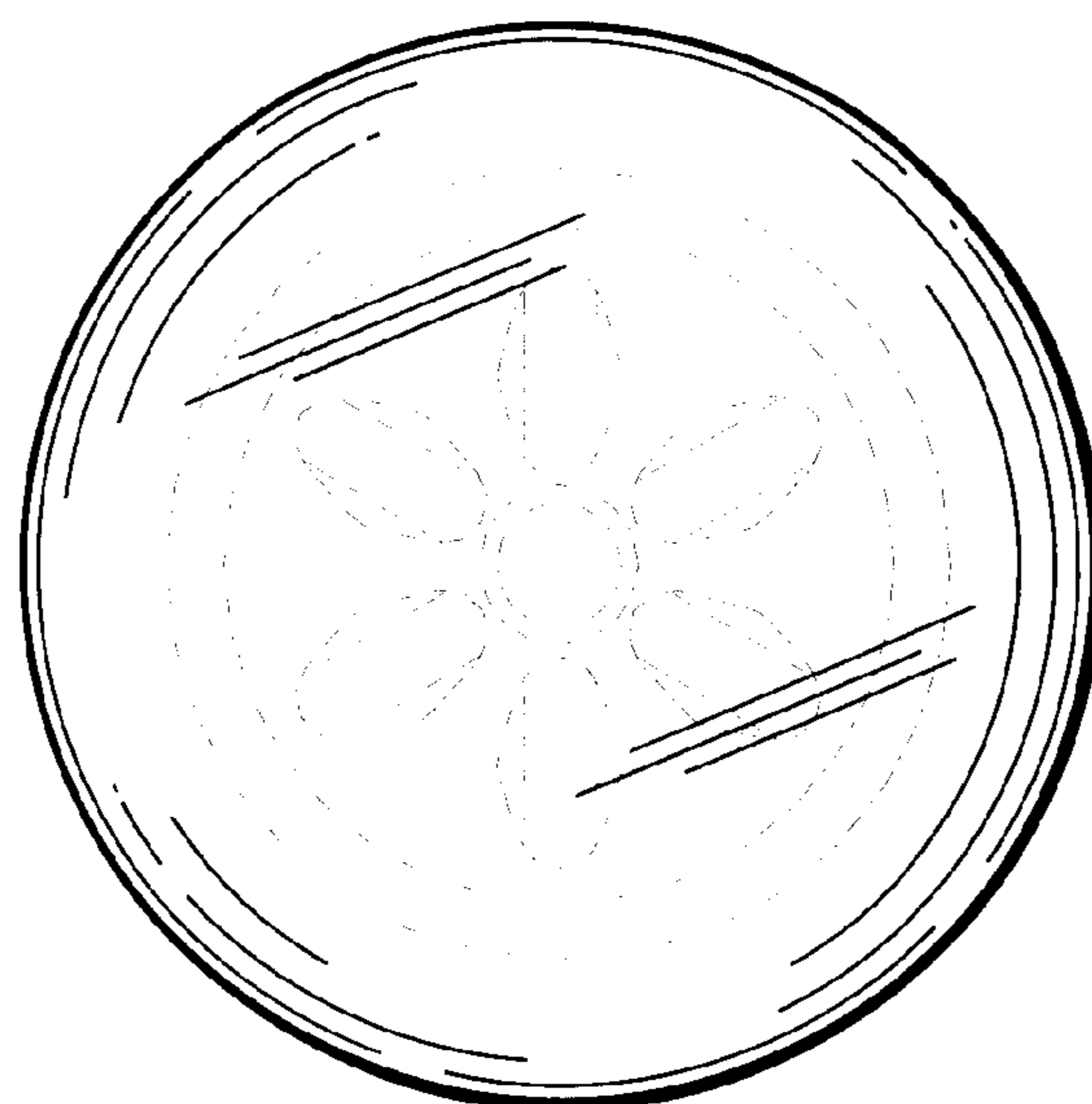


FIG. 20