



US00D538656S

(12) **United States Design Patent**  
**Brooks**

(10) **Patent No.:** **US D538,656 S**  
(45) **Date of Patent:** **\*\* Mar. 20, 2007**

- (54) **POLYGONAL SUSCEPTOR TRAY**
- (75) Inventor: **Joseph R. Brooks**, Chicago, IL (US)
- (73) Assignee: **Kraft Foods Holdings, Inc.**, Northfield, IL (US)
- (\*\*) Term: **14 Years**
- (21) Appl. No.: **29/254,398**
- (22) Filed: **Feb. 22, 2006**

- 5,256,427 A \* 10/1993 Quick et al. .... 426/106
- 5,270,502 A \* 12/1993 Brown et al. .... 219/732
- 2001/0032843 A1 \* 10/2001 Aronsson et al. .... 219/730
- 2004/0234653 A1 \* 11/2004 Cogley et al. .... 426/107
- 2005/0184066 A1 \* 8/2005 Brooks et al. .... 219/730

\* cited by examiner

*Primary Examiner*—Robert M. Spear  
*Assistant Examiner*—Susan Bennett Hattan  
(74) *Attorney, Agent, or Firm*—Cook, Alex, McFarron, Manzo, Cummings & Mehler, Ltd.

**Related U.S. Application Data**

- (62) Division of application No. 29/217,346, filed on Nov. 16, 2004, now Pat. No. Des. 519,838.
- (51) **LOC (8) Cl.** ..... **09-07**
- (52) **U.S. Cl.** ..... **D9/456**
- (58) **Field of Classification Search** ..... D9/455, D9/434, 414, 457, 456, 433; D11/143; 426/107; 219/759, 728-733  
See application file for complete search history.

(57) **CLAIM**

The ornamental design for a polygonal susceptor tray, as shown and described.

**DESCRIPTION**

FIG. 1 is a perspective view of a polygonal susceptor tray showing the new design;  
FIG. 2 is a top plan view thereof;  
FIG. 3 is a side elevational view thereof, the opposite side elevational view being the same as FIG. 3;  
FIG. 4 is another side elevational view thereof, the opposite side elevational view being the same as FIG. 4;  
FIG. 5 is a bottom plan view thereof; and,  
FIG. 6 is a longitudinal sectional view along line 6—6 of FIG. 2.  
The broken line showing of other portions of the polygonal susceptor tray is included for illustration only and forms no part of the claimed design.

(56) **References Cited**

**U.S. PATENT DOCUMENTS**

- 1,289,193 A \* 12/1918 Kline ..... 206/457
- 4,567,341 A \* 1/1986 Brown ..... 219/729
- 4,705,929 A \* 11/1987 Atkinson ..... 219/730
- D296,747 S \* 7/1988 Johnson ..... D7/554.3
- 4,896,009 A \* 1/1990 Pawlowski ..... 219/730
- 5,095,186 A \* 3/1992 Scott Russell et al. .... 219/730

**1 Claim, 2 Drawing Sheets**

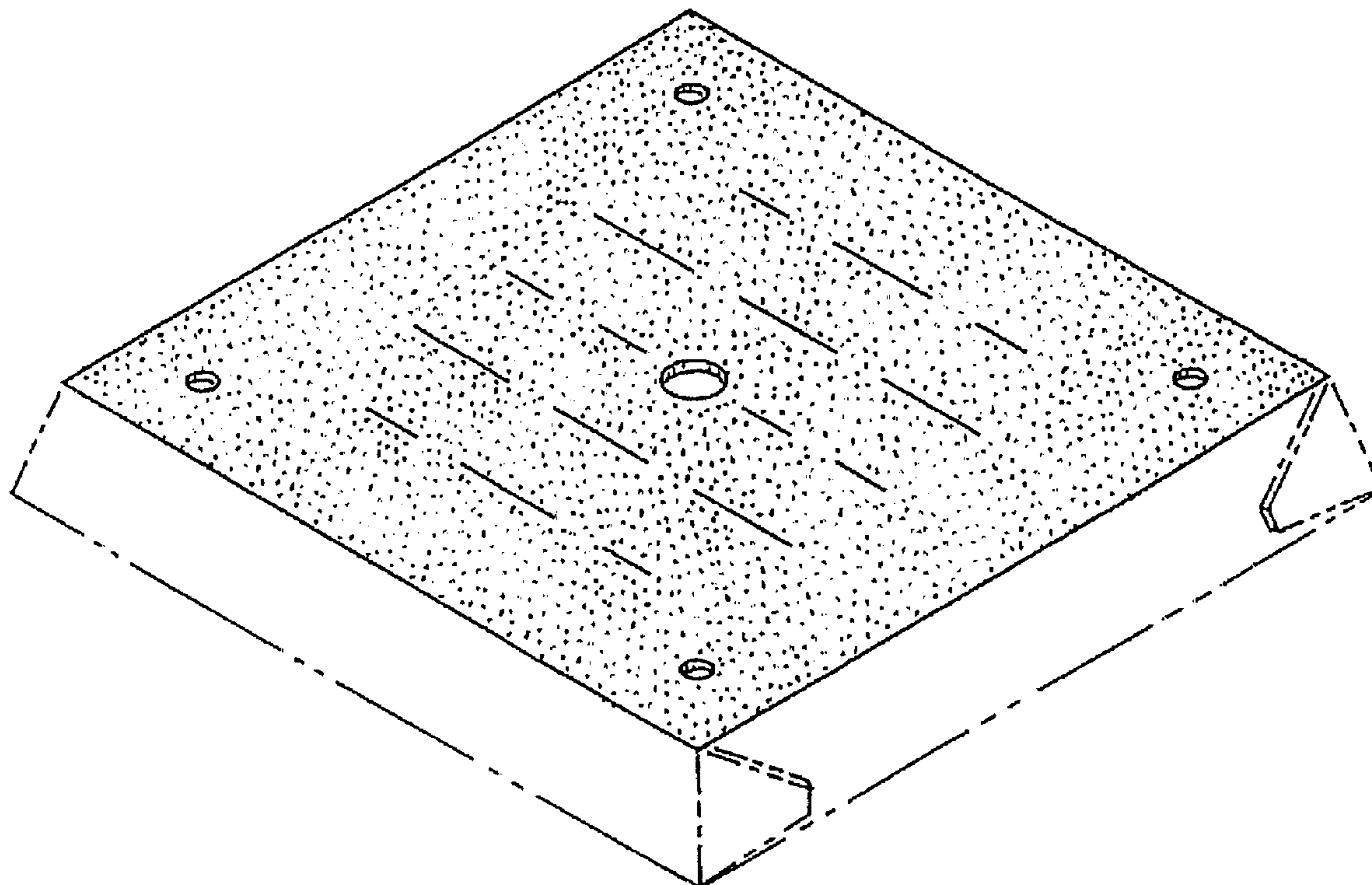


FIG. 1

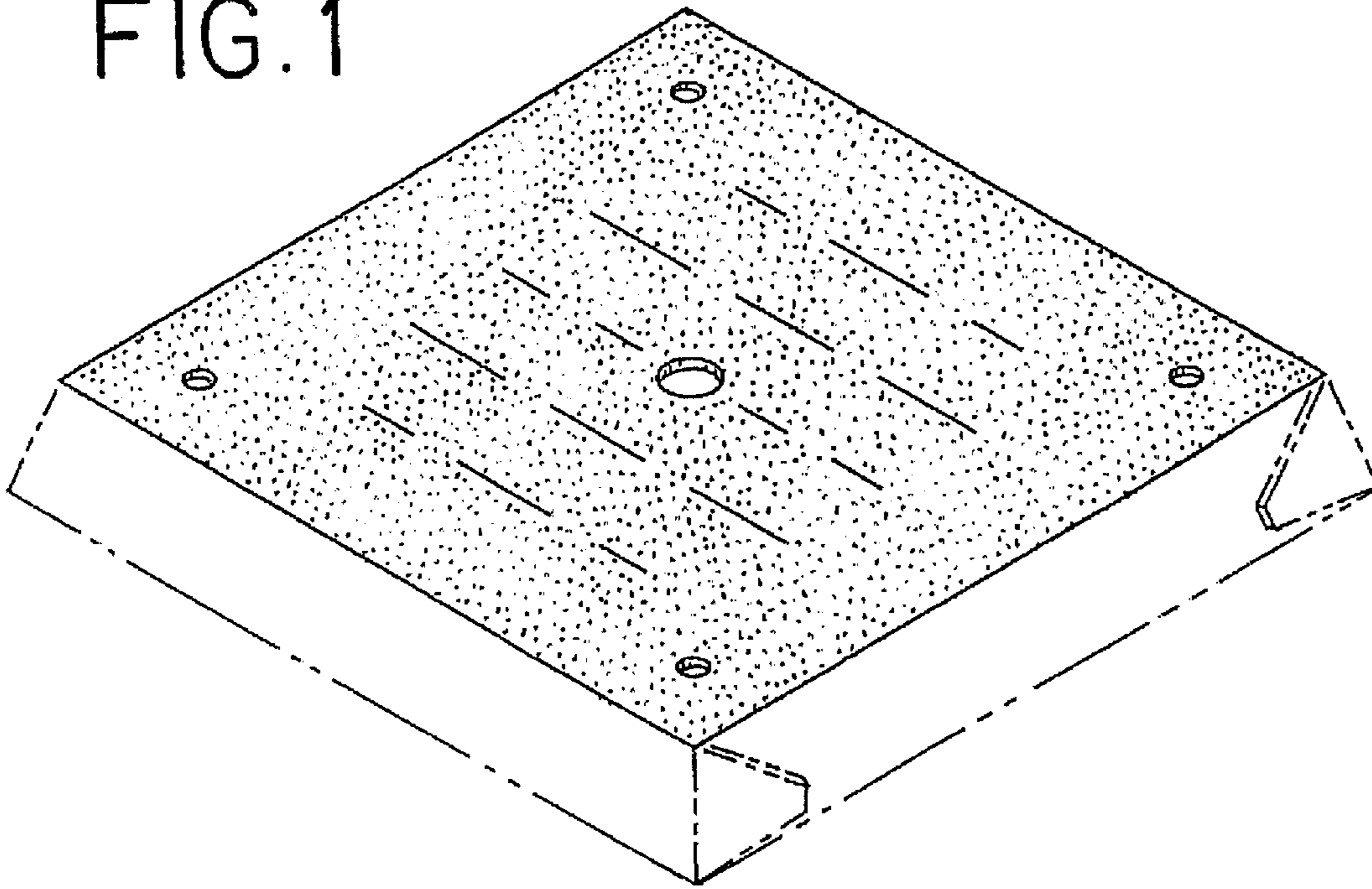


FIG. 2

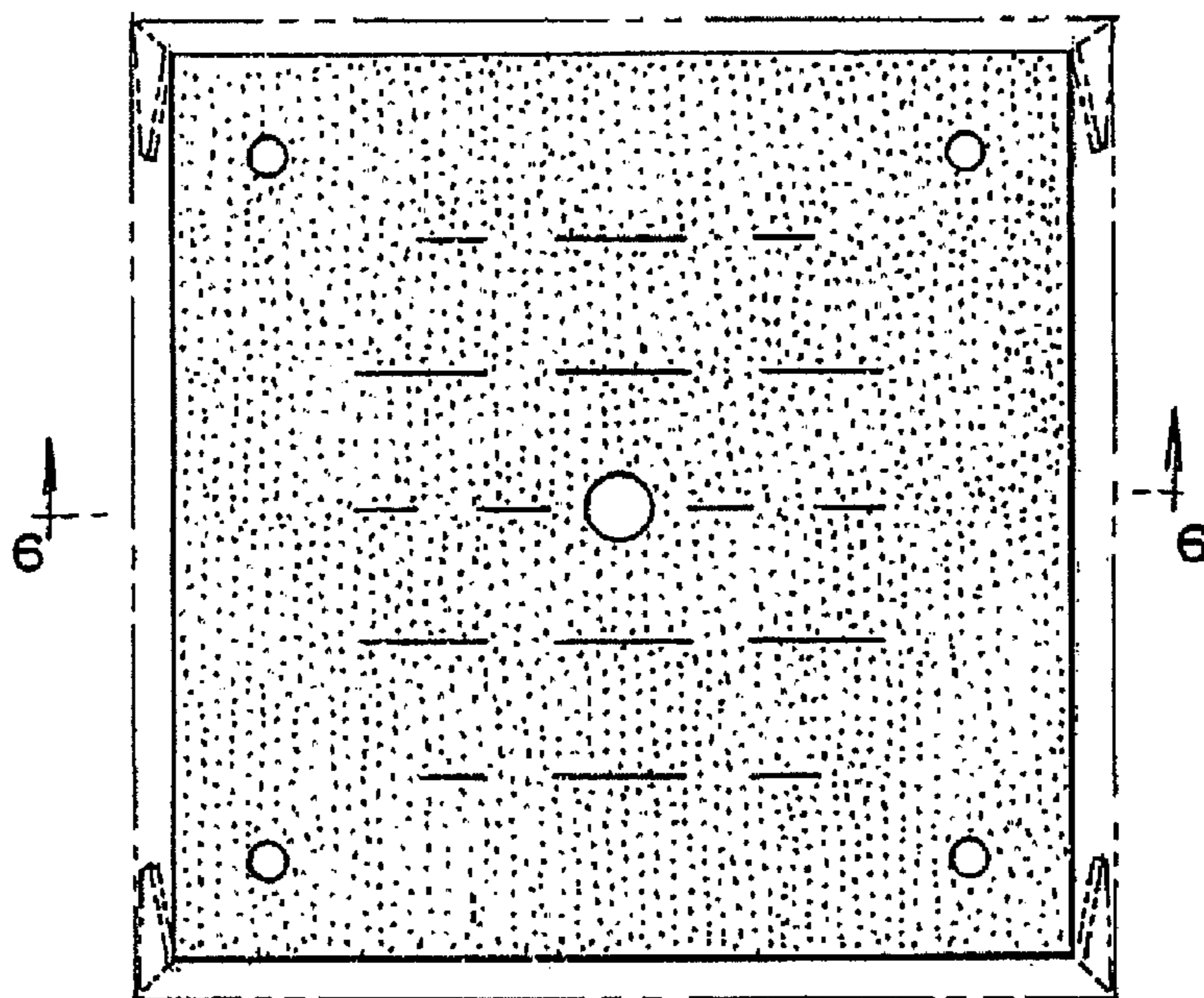


FIG. 3



FIG. 4



FIG. 5

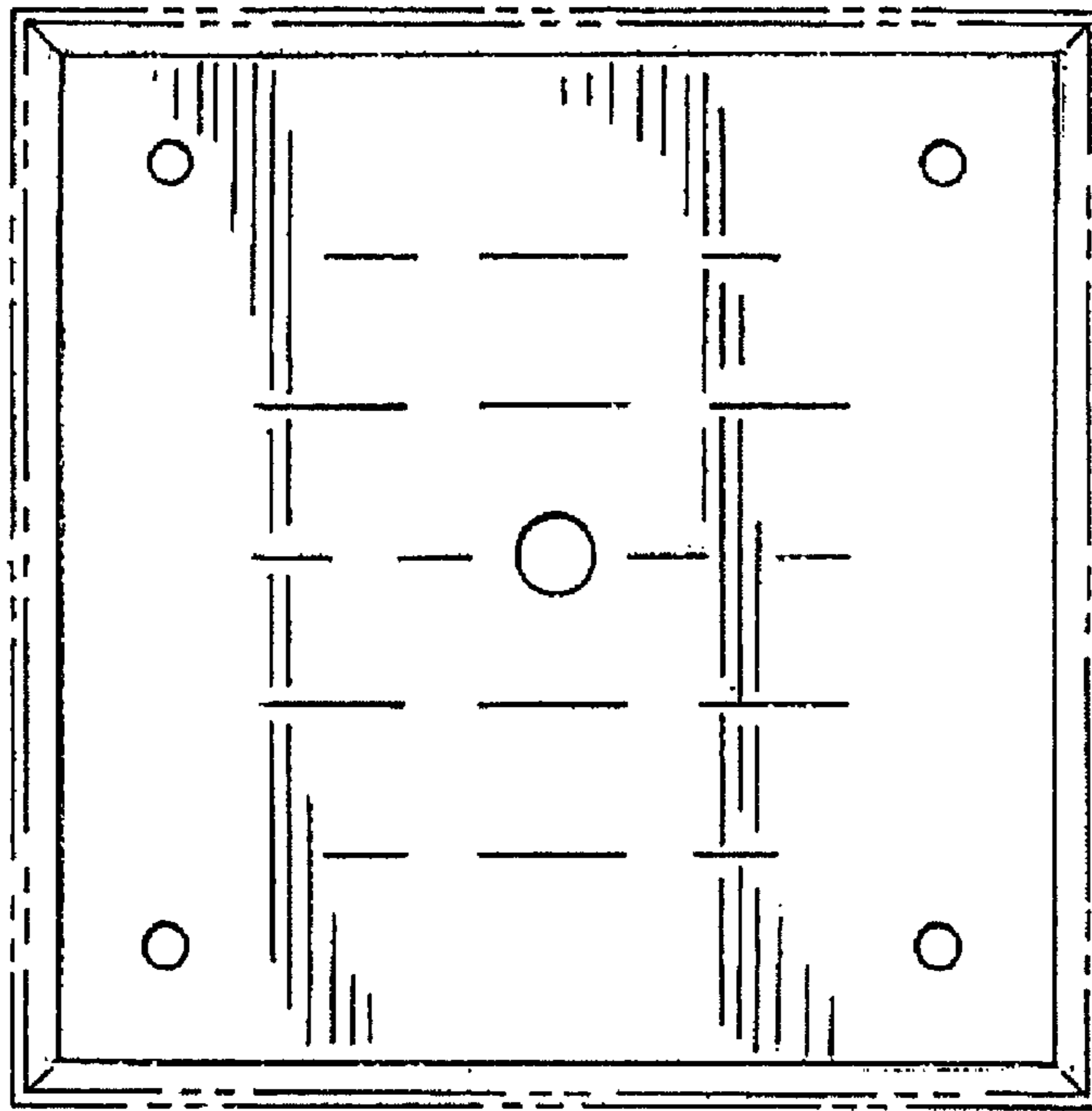


FIG. 6

