



US00D538654S

(12) **United States Design Patent** (10) **Patent No.:** **US D538,654 S**
Seidita (45) **Date of Patent:** **** Mar. 20, 2007**

(54) **CROWN-LIKE PLASTIC CLOSURE**

5,197,621 A 3/1993 Bartl et al.
5,263,600 A 11/1993 Henning

(75) Inventor: **Thomas M. Seidita**, Mechanicsville,
VA (US)

(Continued)

(73) Assignee: **Crown Packaging Technology, Inc.**,
Alsip, IL (US)

FOREIGN PATENT DOCUMENTS

(**) Term: **14 Years**

DE	8811108	*	2/1989
DE	8815335	*	2/1989
EP	0072924	*	5/1989
EP	0410059	*	6/1994
EP	0593396		1/1996
EP	0511502	*	4/1996
FR	2580593		4/1985
JP	7291318		11/1995
JP	08058817		3/1996
JP	08164960		6/1996
WO	WO 91/11369		8/1991
WO	DM/052170		5/2000
WO	WO 01/51375		7/2001
WO	DM/057655		10/2001
WO	DM/058766		2/2002
WO	WO 03/016161		2/2003
WO	DM/063888		6/2003

(21) Appl. No.: **29/204,551**

(22) Filed: **Apr. 30, 2004**

(51) **LOC (8) Cl.** **09-07**

(52) **U.S. Cl.** **D9/453**

(58) **Field of Classification Search** D9/429,
D9/435, 442, 444, 447, 448, 450, 452-454;
D8/DIG. 2; D7/392.1; D23/250; D21/390;
D19/43; D12/197; 220/288; 215/316, 328,
215/382-385, 353; 222/420

See application file for complete search history.

(56) **References Cited**

U.S. PATENT DOCUMENTS

928,872 A	7/1909	Lyon	
D48,033 S	10/1915	Kaye	
1,170,160 A	2/1916	Ingram et al.	
1,722,587 A	7/1929	McDonnell	
2,792,957 A	5/1957	Rodriguez	
D204,508 S	4/1966	Brockett	
3,281,001 A	10/1966	Stuart	
4,055,266 A	10/1977	Amabili	
4,402,415 A	9/1983	Hopely	
D280,946 S	* 10/1985	Rutyna et al. D9/452
4,550,844 A	* 11/1985	Lininger	
4,598,835 A	* 7/1986	Brownbill	
4,657,153 A	* 4/1987	Hayes	
4,739,893 A	4/1988	Zumbuhl	
4,971,213 A	11/1990	Ishinabe et al.	
5,040,692 A	* 8/1991	Julian	
5,050,753 A	9/1991	Trump et al.	
5,056,675 A	* 10/1991	Julian	
5,090,581 A	2/1992	Rose et al.	
5,090,788 A	2/1992	Ingram et al.	

Primary Examiner—Robert M. Spear

Assistant Examiner—Susan Bennett Hattan

(74) *Attorney, Agent, or Firm*—Knoble Yoshida &
Dunleavy, LLC

(57) **CLAIM**

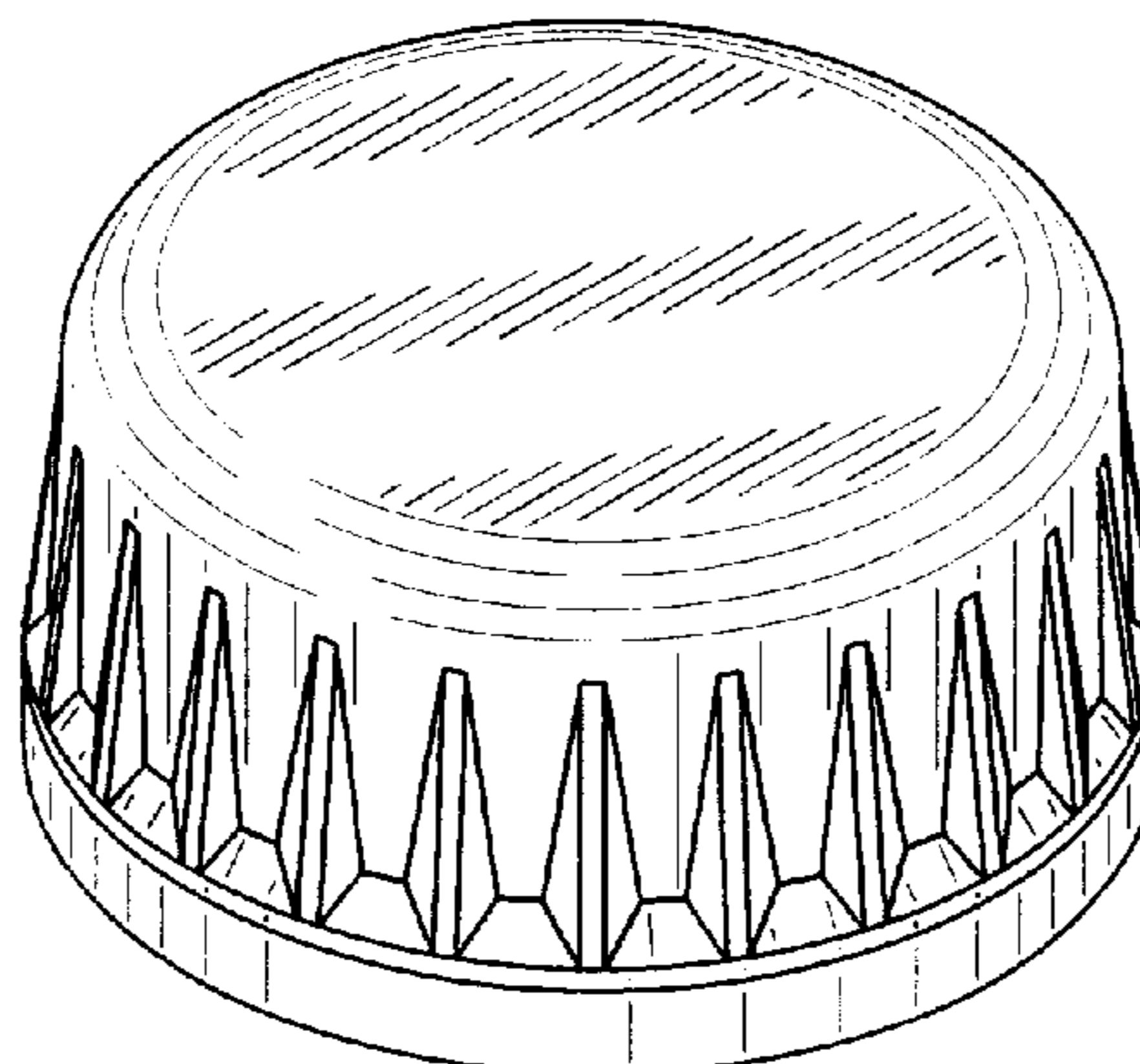
The ornamental design for a “crown-like plastic closure,” as shown and described.

DESCRIPTION

FIG. 1 is a perspective view showing my new design;
FIG. 2 is a front elevational view;
FIG. 3 is a rear elevational view;
FIG. 4 is a top plan view;
FIG. 5 is a bottom plan view; and,
FIG. 6 is a cross-sectional view taken along lines 6—6 in
FIG. 4.

Any broken lines in the drawings depict probable environ-
ment only and form no part of the claimed design.

1 Claim, 3 Drawing Sheets



US D538,654 S

Page 2

U.S. PATENT DOCUMENTS

5,356,019	A	*	10/1994	Kelly					
5,400,913	A	*	3/1995	Kelly					
5,415,306	A		5/1995	Luch et al.					
5,715,959	A		2/1998	Pfefferkorn et al.					
5,749,201	A		5/1998	Cochrane					
5,749,484	A	*	5/1998	Trout					
5,782,369	A		7/1998	Tansey					
5,913,437	A	*	6/1999	Ma					
5,964,139	A	*	10/1999	Spatz et al.					
D417,397	S	*	12/1999	Forecast et al.	D9/453			
6,006,933	A		12/1999	Henning et al.					
6,116,443	A		9/2000	Parrinello					
D433,275	S	*	11/2000	Betras	D7/392.1			
D448,297	S		9/2001	Sindermann					
D451,393	S	*	12/2001	Gerhart et al.	D9/453			
D458,138	S	*	6/2002	Fuchs	D9/453			
6,457,299	B1		10/2002	Schwenke et al.					
D465,731	S	*	11/2002	Brant et al.	D9/453			
6,502,369	B1		1/2003	Andison et al.					
D470,413	S		2/2003	Seidita					
D507,745	S	*	7/2005	Pitman et al.	D9/453			
D508,204	S	*	8/2005	Pitman et al.	D9/452			
D508,650	S	*	8/2005	Pitman et al.	D9/452			
D510,269	S	*	10/2005	Pitman et al.	D9/452			
D510,523	S	*	10/2005	Pitman et al.	D9/452			
2001/0002661	A1	*	6/2001	Reidenbach					
2002/0033374	A1		3/2002	Ma					

* cited by examiner

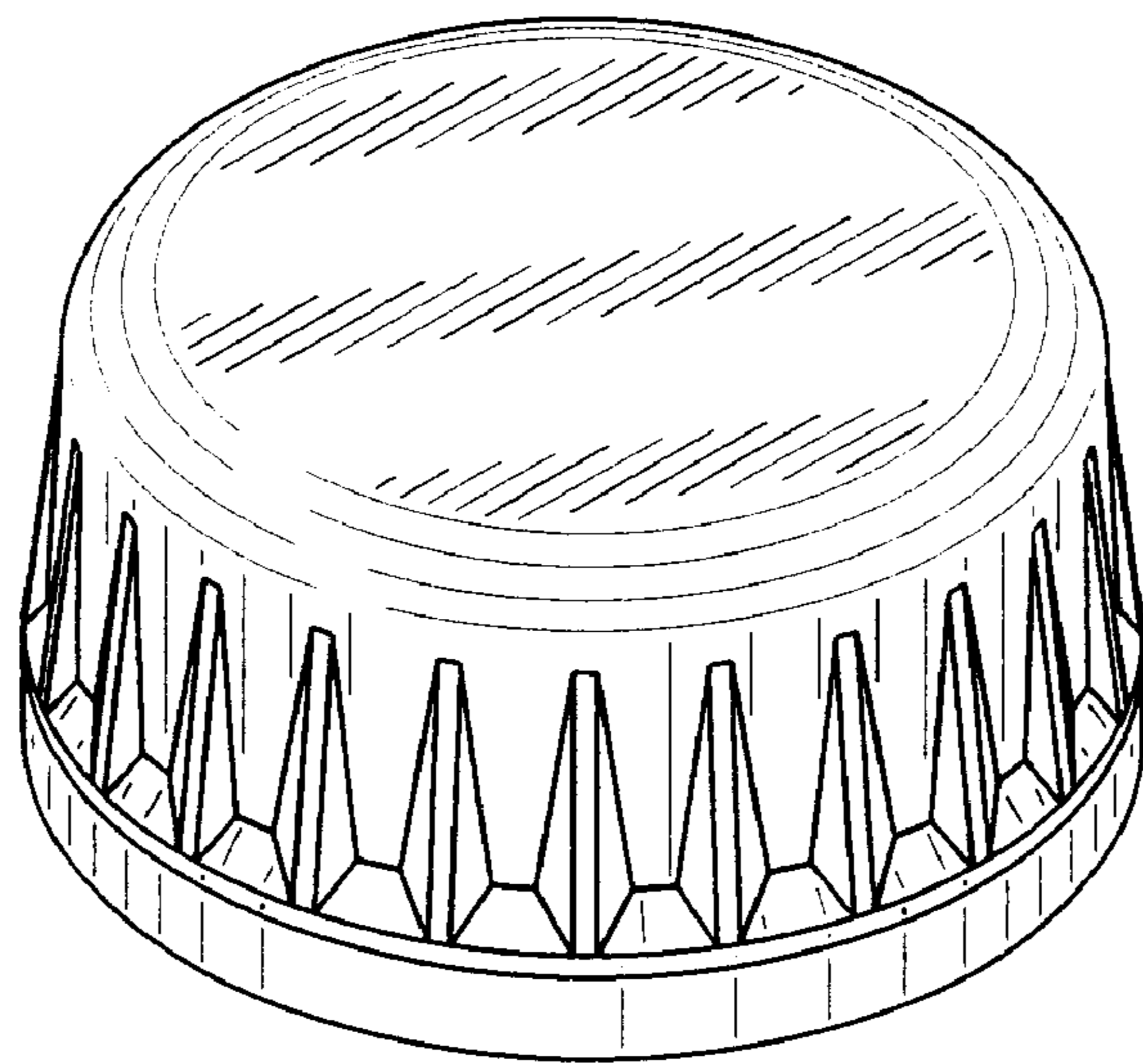


FIG. 1

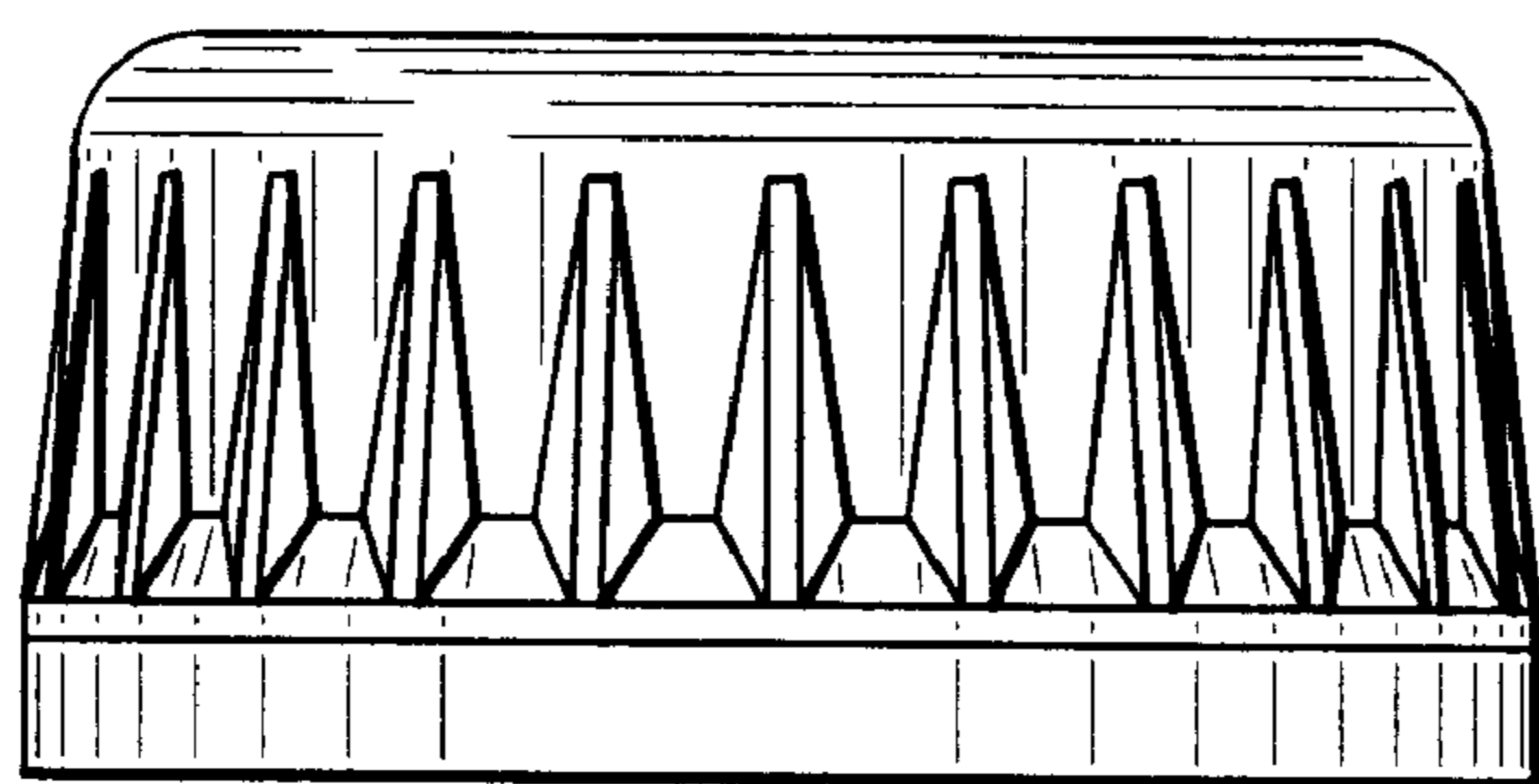


FIG. 2

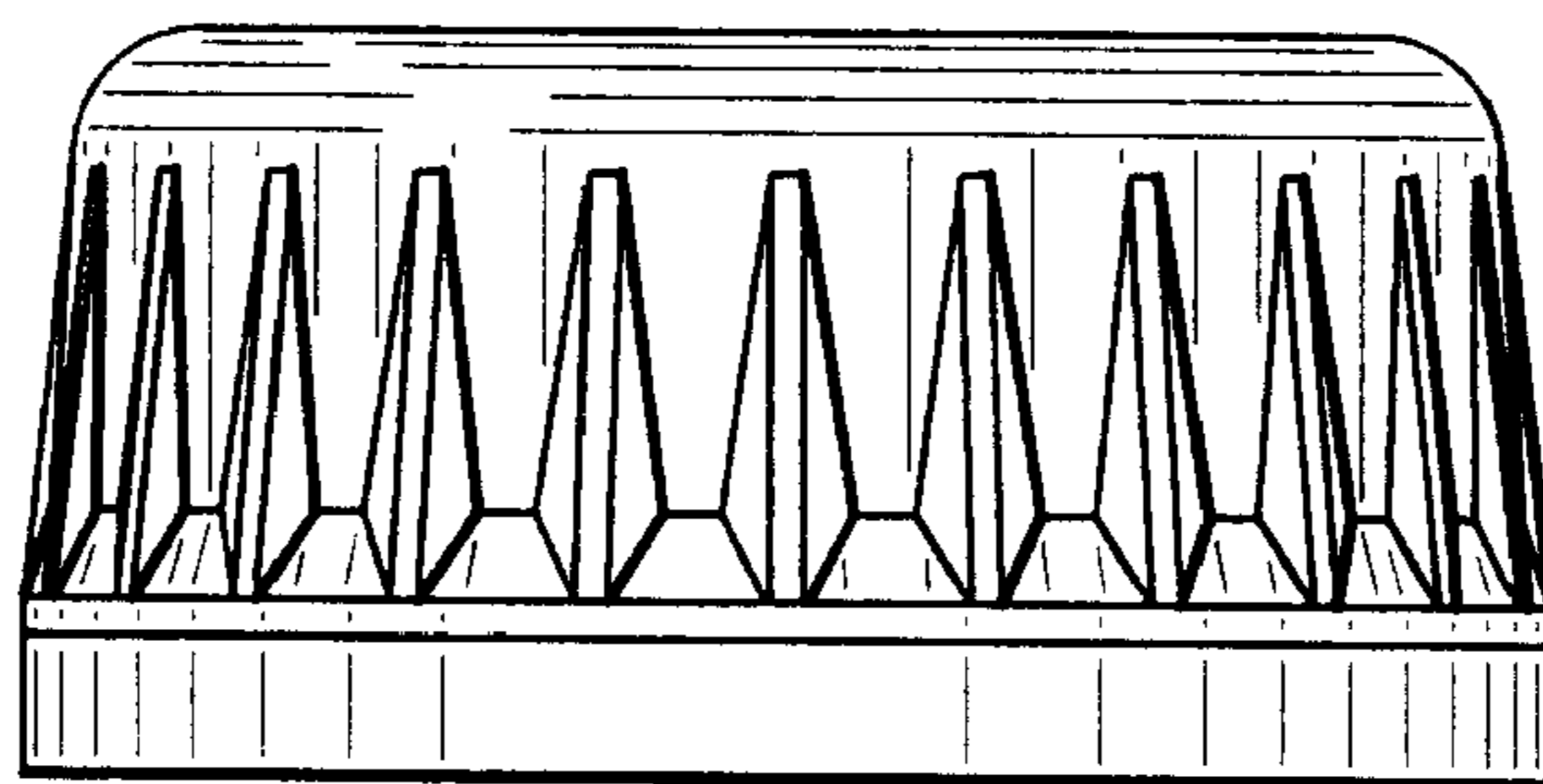


FIG. 3

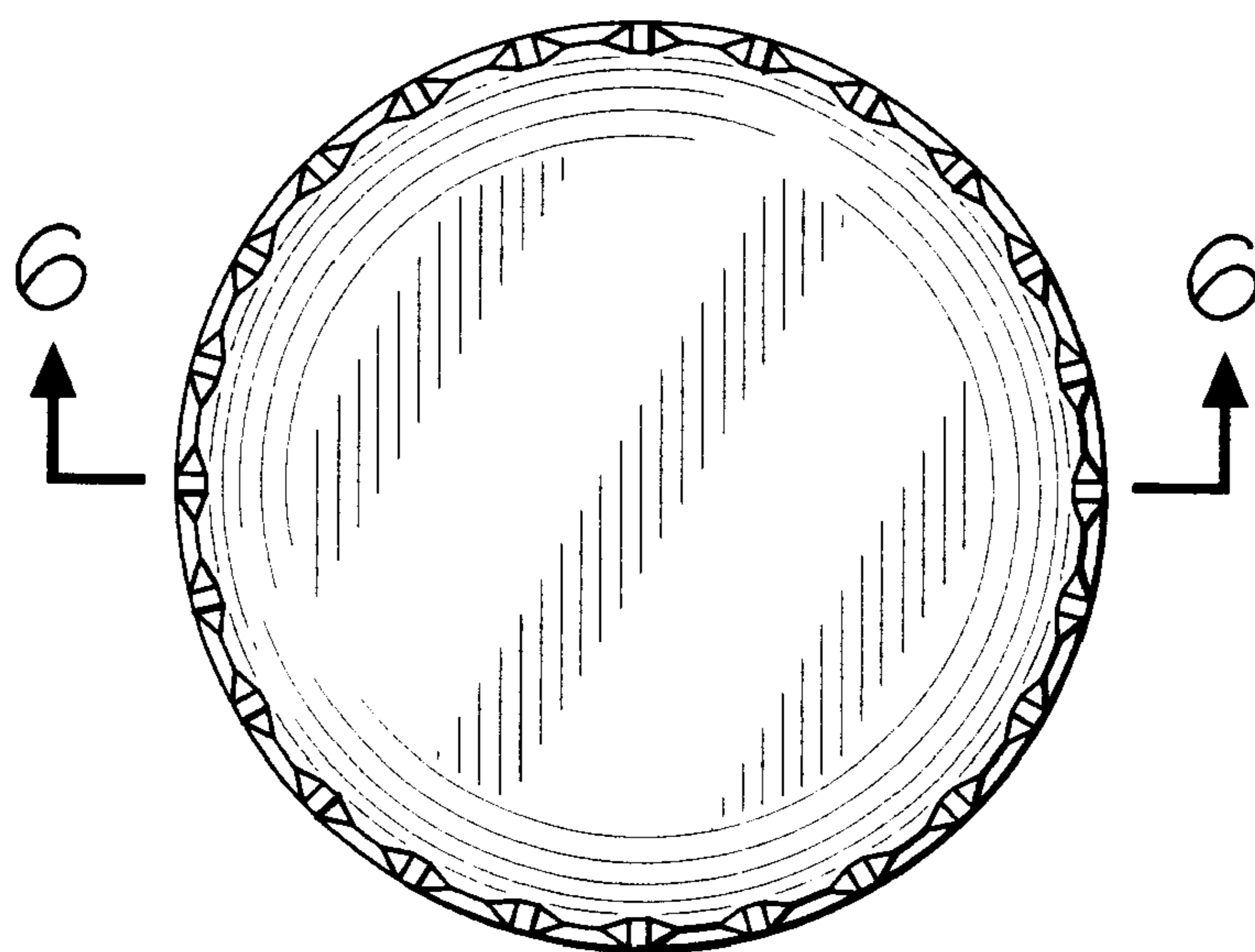


FIG. 4

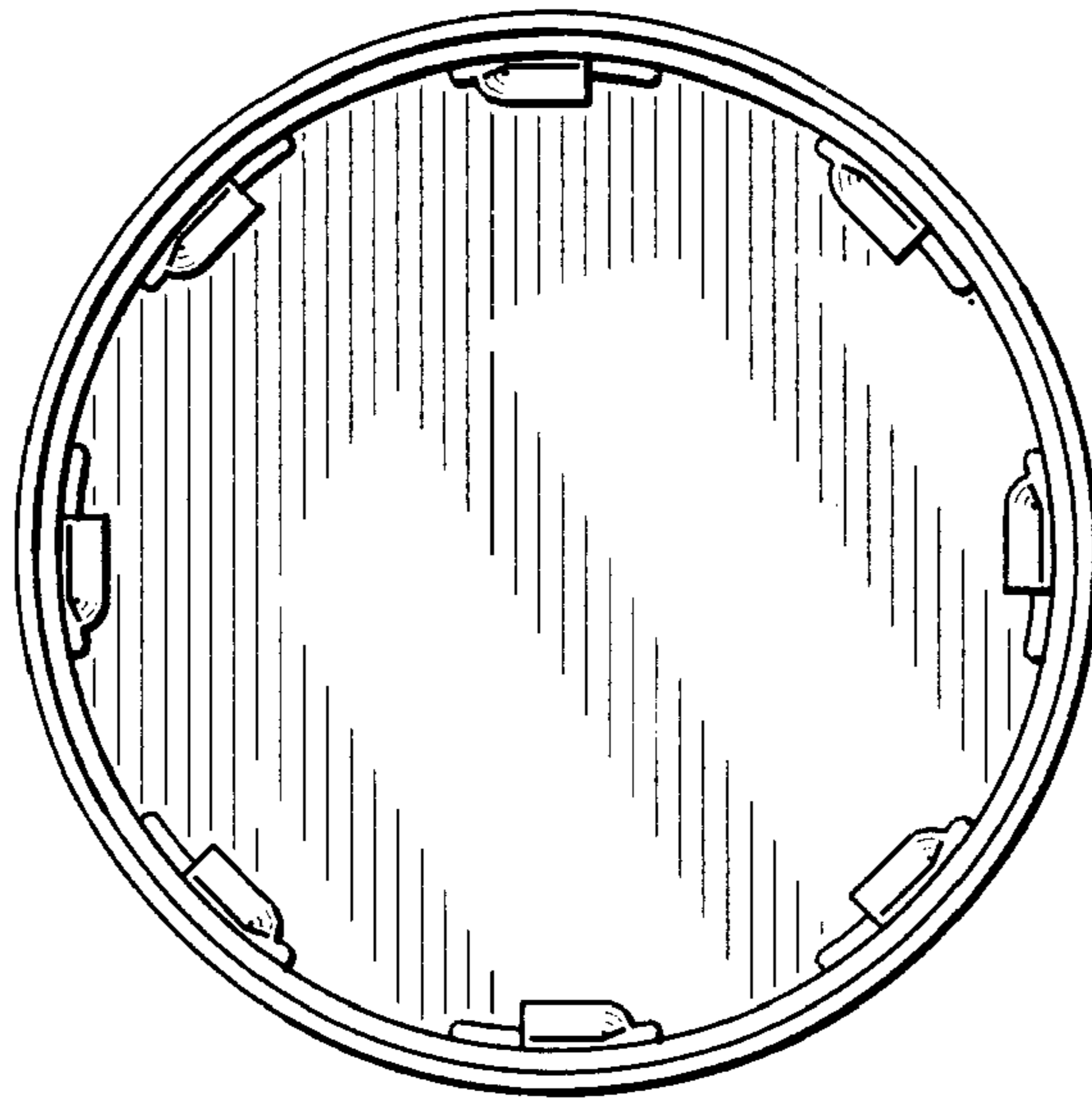


FIG. 5

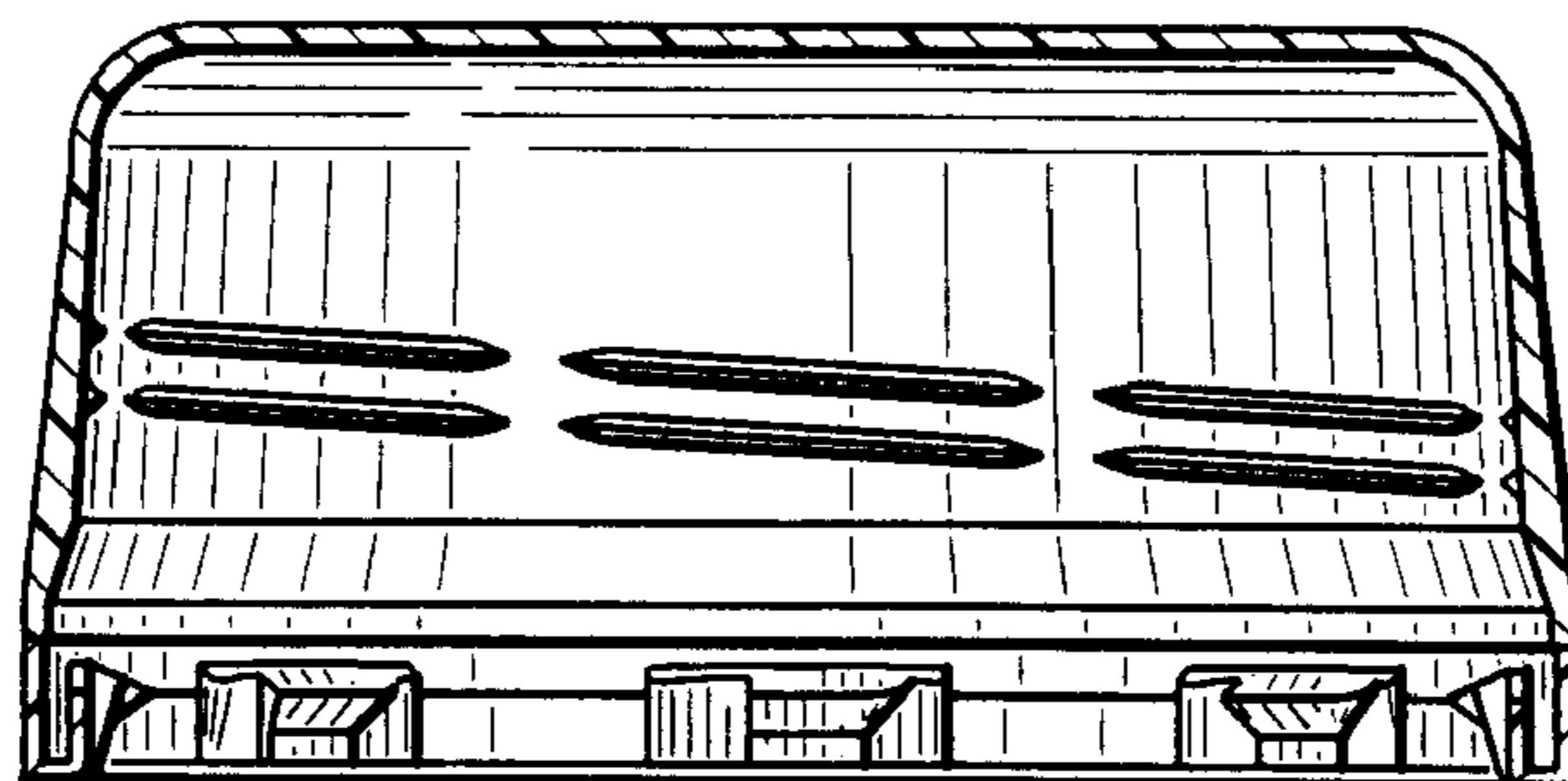


FIG. 6

UNITED STATES PATENT AND TRADEMARK OFFICE
CERTIFICATE OF CORRECTION

PATENT NO. : Des. 538,654 S
APPLICATION NO. : 29/204551
DATED : March 20, 2007
INVENTOR(S) : Seidita

Page 1 of 1

It is certified that error appears in the above-identified patent and that said Letters Patent is hereby corrected as shown below:

Title Page; item (73);

The name of the Assignee should be changed from "Crown Packaging Technology, Inc. (Alsip, IL)" to -- Obrist Closures Switzerland GmbH (Reinach, CH) --

Signed and Sealed this

Fourth Day of December, 2007

A handwritten signature in black ink on a dotted background. The signature reads "Jon W. Dudas" in a cursive style.

JON W. DUDAS

Director of the United States Patent and Trademark Office