



US00D538653S

(12) **United States Design Patent**
Robinson

(10) **Patent No.:** **US D538,653 S**
(45) **Date of Patent:** **** Mar. 20, 2007**

- (54) **DISPENSING CLOSURE**
- (75) Inventor: **Philip J. Robinson**, Sylvania, OH (US)
- (73) Assignee: **Owens-Illinois Closure Inc.**, Perrysburg, OH (US)
- (**) Term: **14 Years**
- (21) Appl. No.: **29/253,983**
- (22) Filed: **Feb. 15, 2006**
- (51) **LOC (8) Cl.** **09-07**
- (52) **U.S. Cl.** **D9/449; D9/454**
- (58) **Field of Classification Search** D9/695, D9/455, 453, 449, 447, 446, 442, 435, 434, D9/420; D7/900, 511, 510; 220/837, 833, 220/283, 281, 254.7, 254.3
See application file for complete search history.

(56) **References Cited**

U.S. PATENT DOCUMENTS

4,322,015	A	3/1982	Bailey	
4,457,458	A	7/1984	Heinol	
D275,181	S	* 8/1984	Jeffries et al. D9/438
4,629,088	A	12/1986	Durgin	
4,760,934	A	8/1988	Netsch	
D308,169	S	* 5/1990	Auman D9/446
4,949,865	A	8/1990	Turner	
5,090,584	A	2/1992	Roberts et al.	
D331,537	S	* 12/1992	Tucker D9/447
5,203,467	A	* 4/1993	Tucker 220/254.3
5,339,993	A	8/1994	Groya et al.	
D362,595	S	* 9/1995	Schneider D7/596
D385,791	S	* 11/1997	Forsyth et al. D9/447
5,839,601	A	11/1998	Van Melle	
5,988,424	A	* 11/1999	Kovens 220/254.3
6,158,632	A	12/2000	Ekkert	
6,260,727	B1	7/2001	Durdon	
D468,639	S	1/2003	Wennerstrom et al.	
6,510,971	B1	1/2003	Martin	

D476,892 S 7/2003 Martin et al.

* cited by examiner

Primary Examiner—Robert M. Spear
Assistant Examiner—Susan Bennett Hattan

(57) **CLAIM**

I claim the ornamental design for a dispensing closure, as shown and described.

DESCRIPTION

FIG. 1 is a perspective view of one embodiment of the dispensing closure with the lid closed.

FIG. 2 is a top plan view of the dispensing closure in FIG. 1, the bottom forming no part of the claimed design.

FIG. 3 is a front elevational view of the dispensing closure in FIGS. 1 and 2.

FIG. 4 is a side elevational view of the dispensing closure in FIGS. 1–3, the opposing side elevational view being a mirror image of FIG. 4.

FIG. 5 is a rear elevational view of the dispensing closure in FIGS. 1–4.

FIG. 6 is a perspective view of the dispensing closure of FIGS. 1–5 with the lid open.

FIG. 7 is a perspective view of a second embodiment of the dispensing closure with the lid closed.

FIG. 8 is a top plan view of the dispensing closure in FIG. 7, the bottom forming no part of the claimed design.

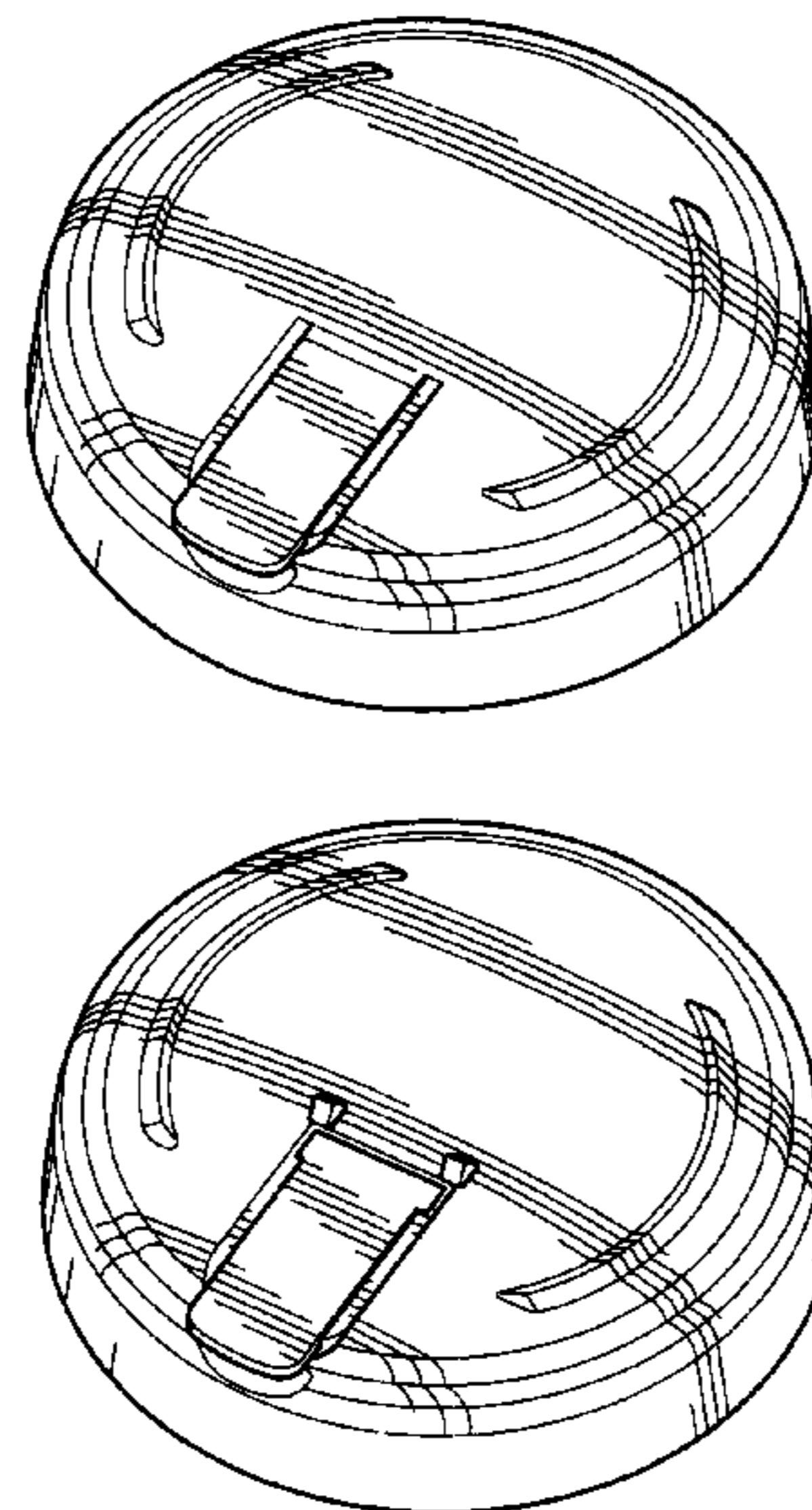
FIG. 9 is a front elevational view of the dispensing closure in FIGS. 7 and 8.

FIG. 10 is a side elevational view of the dispensing closure in FIGS. 7–9, the opposing side elevational view being a mirror image of FIG. 10.

FIG. 11 is a rear elevational view of the dispensing closure in FIGS. 7–10; and,

FIG. 12 is a perspective view of the dispensing closure of FIGS. 7–11 with the lid open.

1 Claim, 2 Drawing Sheets



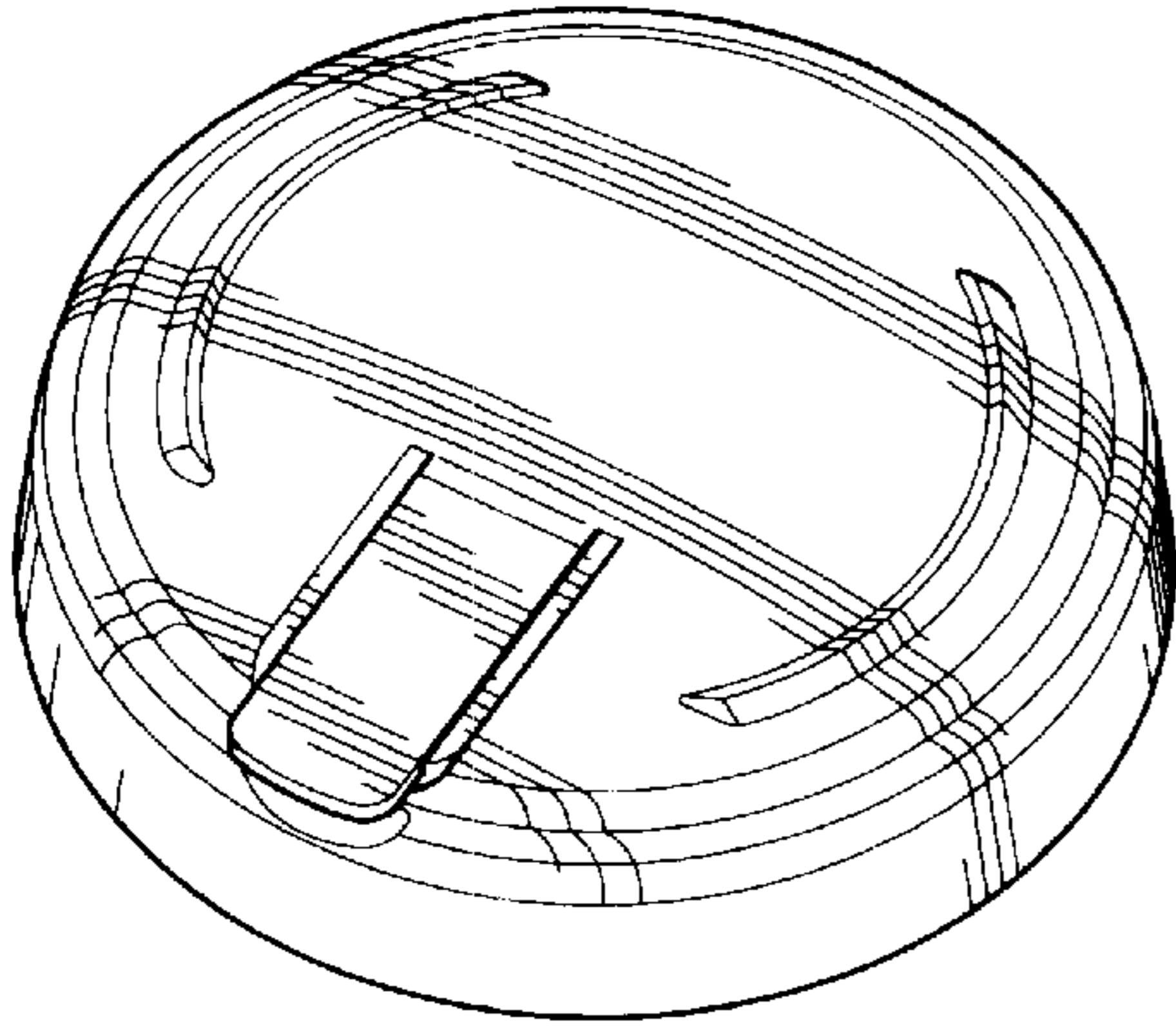


Figure 1

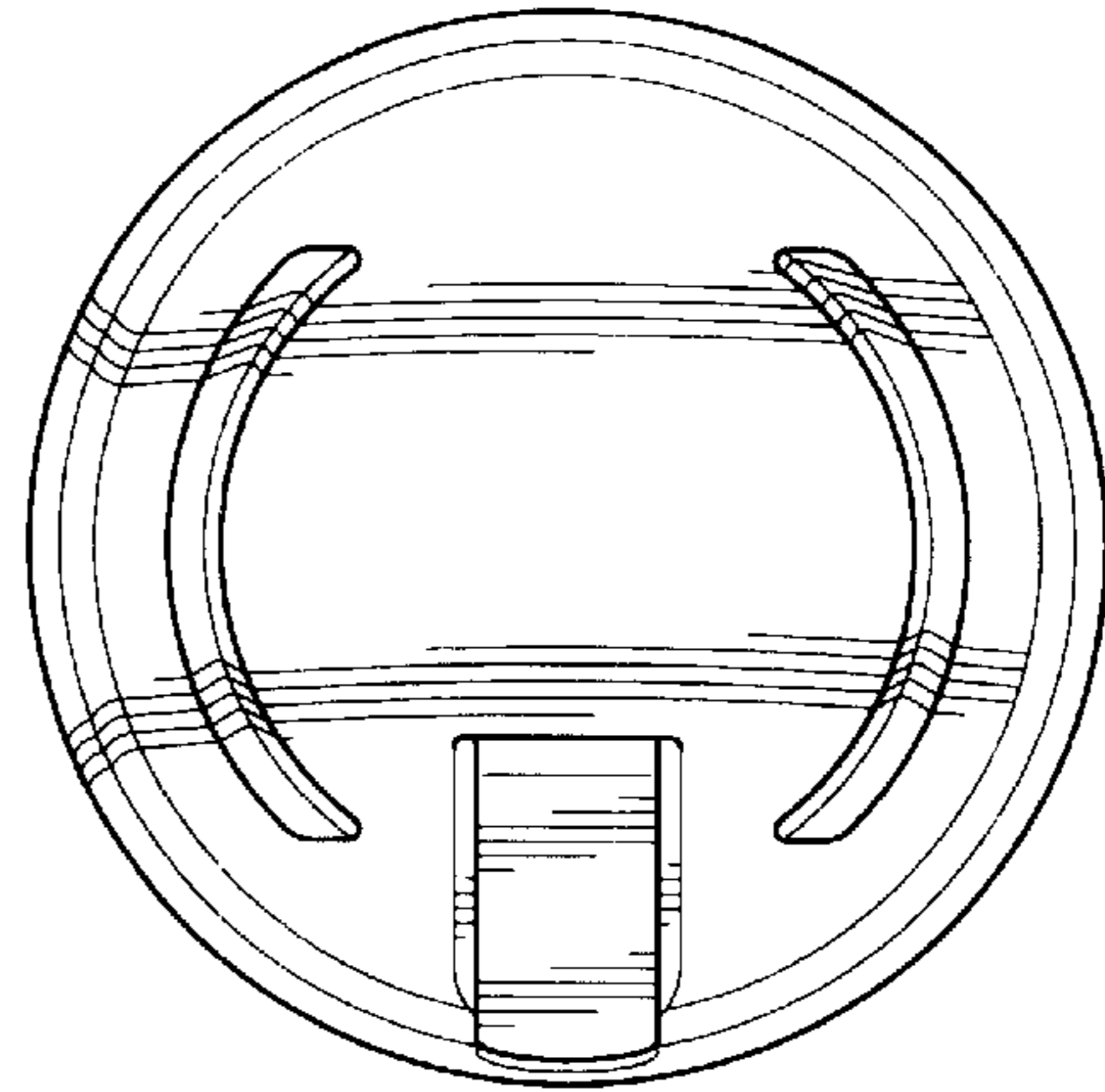


Figure 2

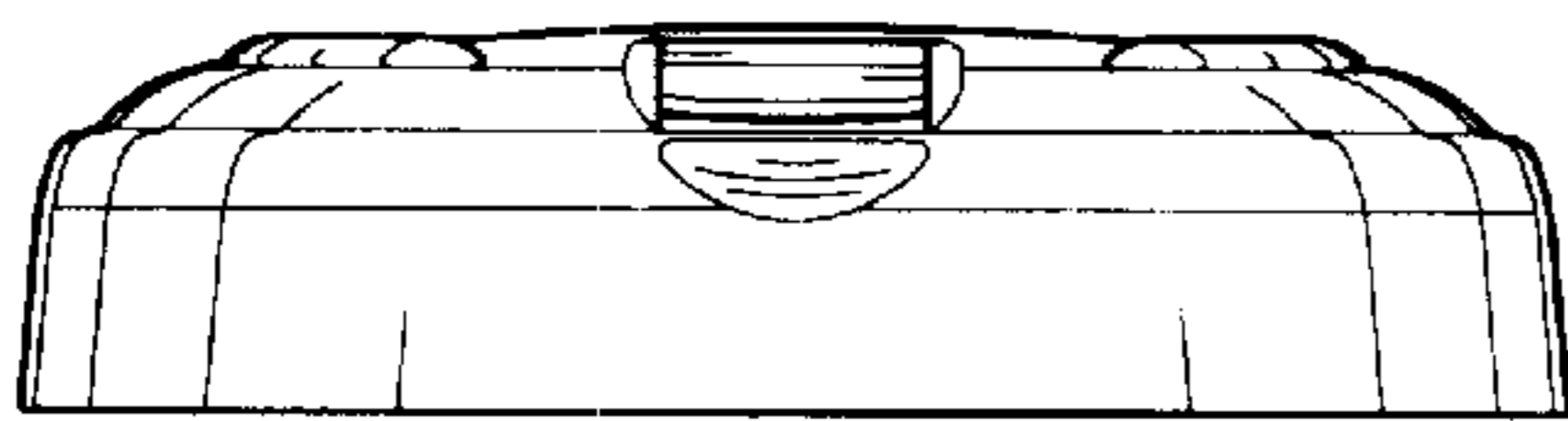


Figure 3

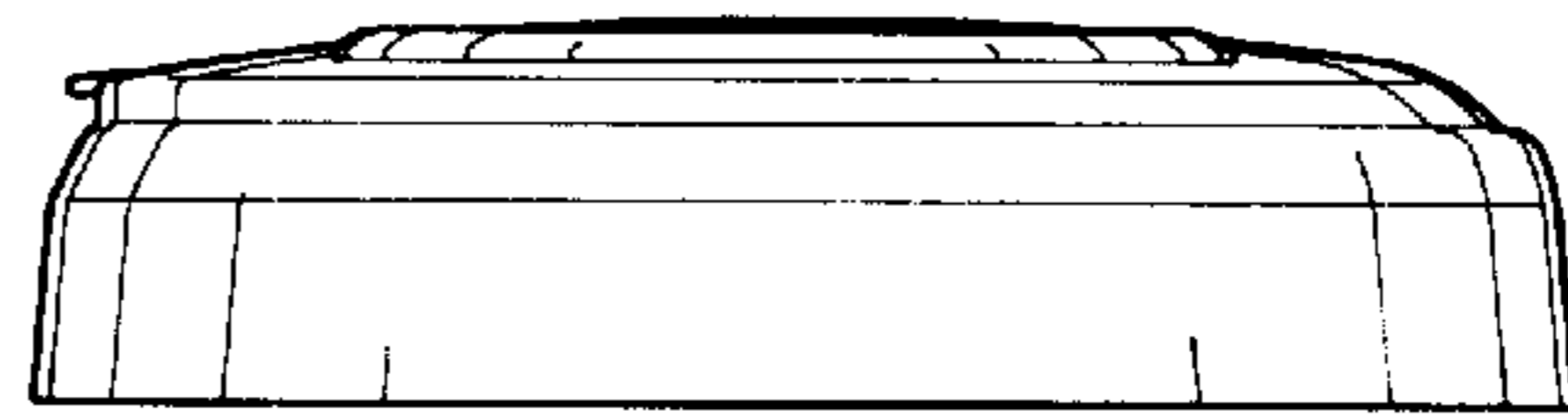


Figure 4

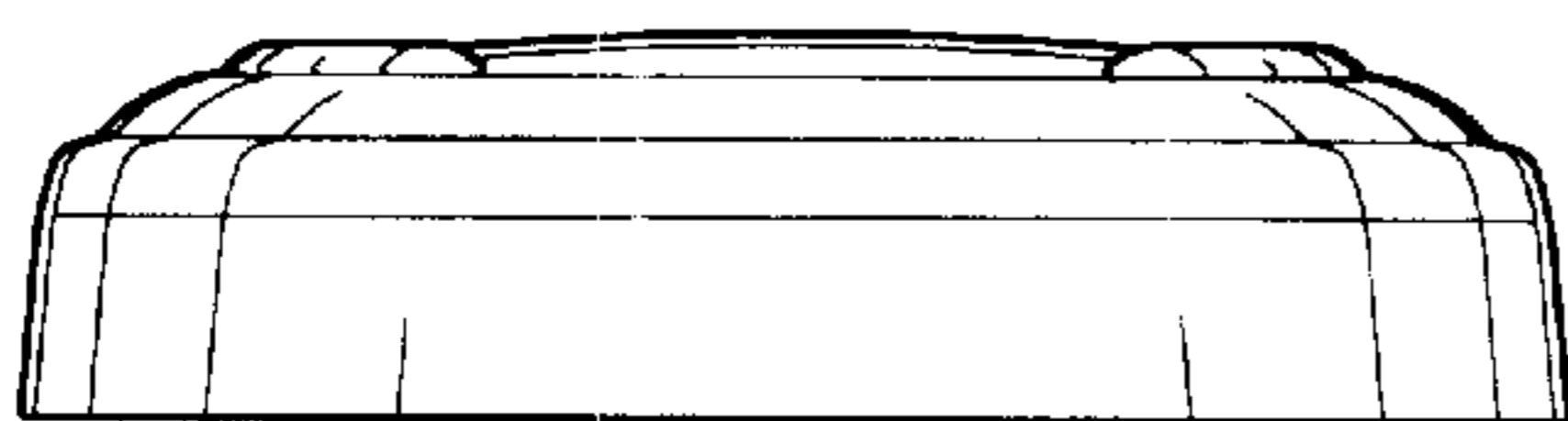


Figure 5

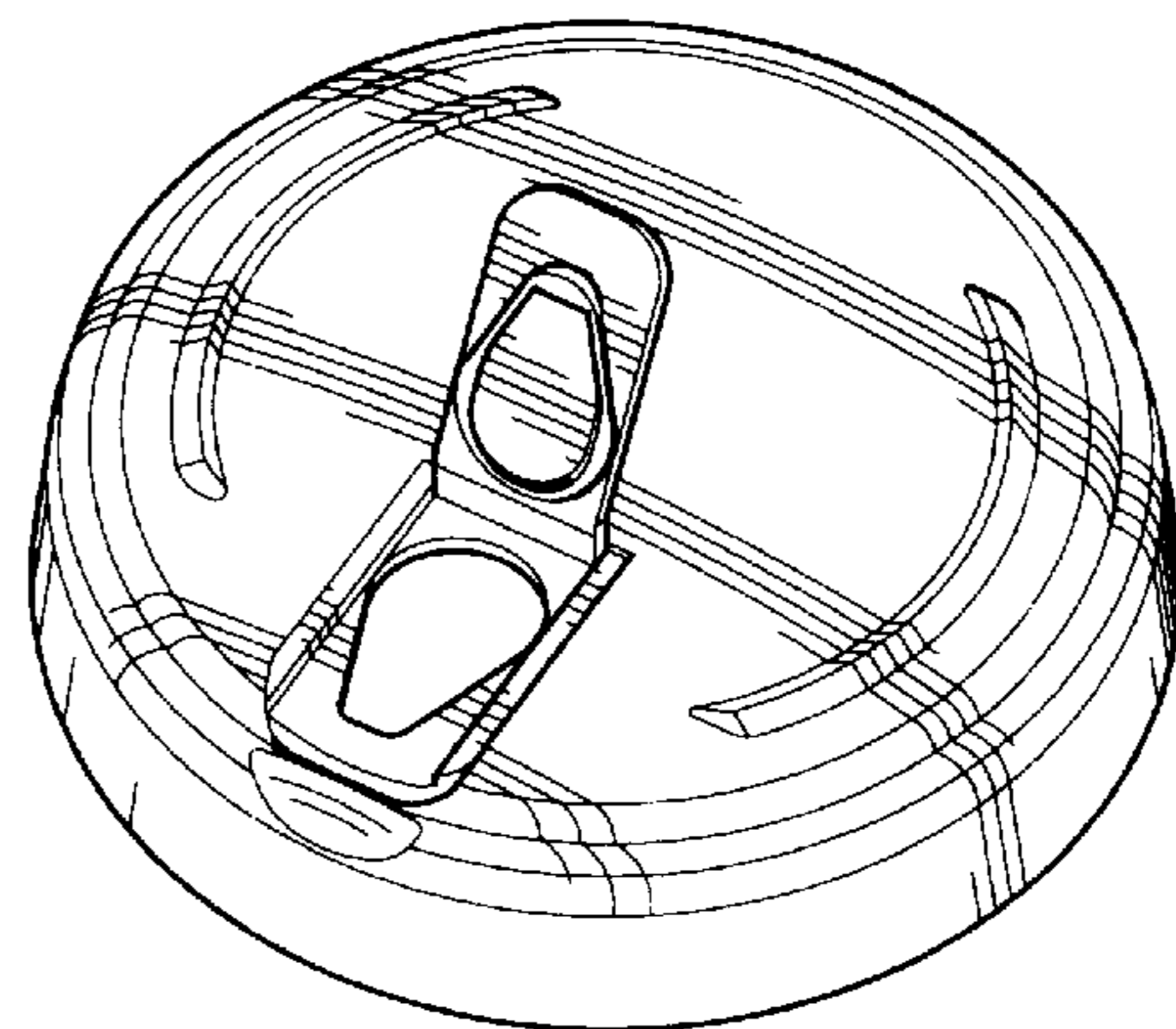


Figure 6

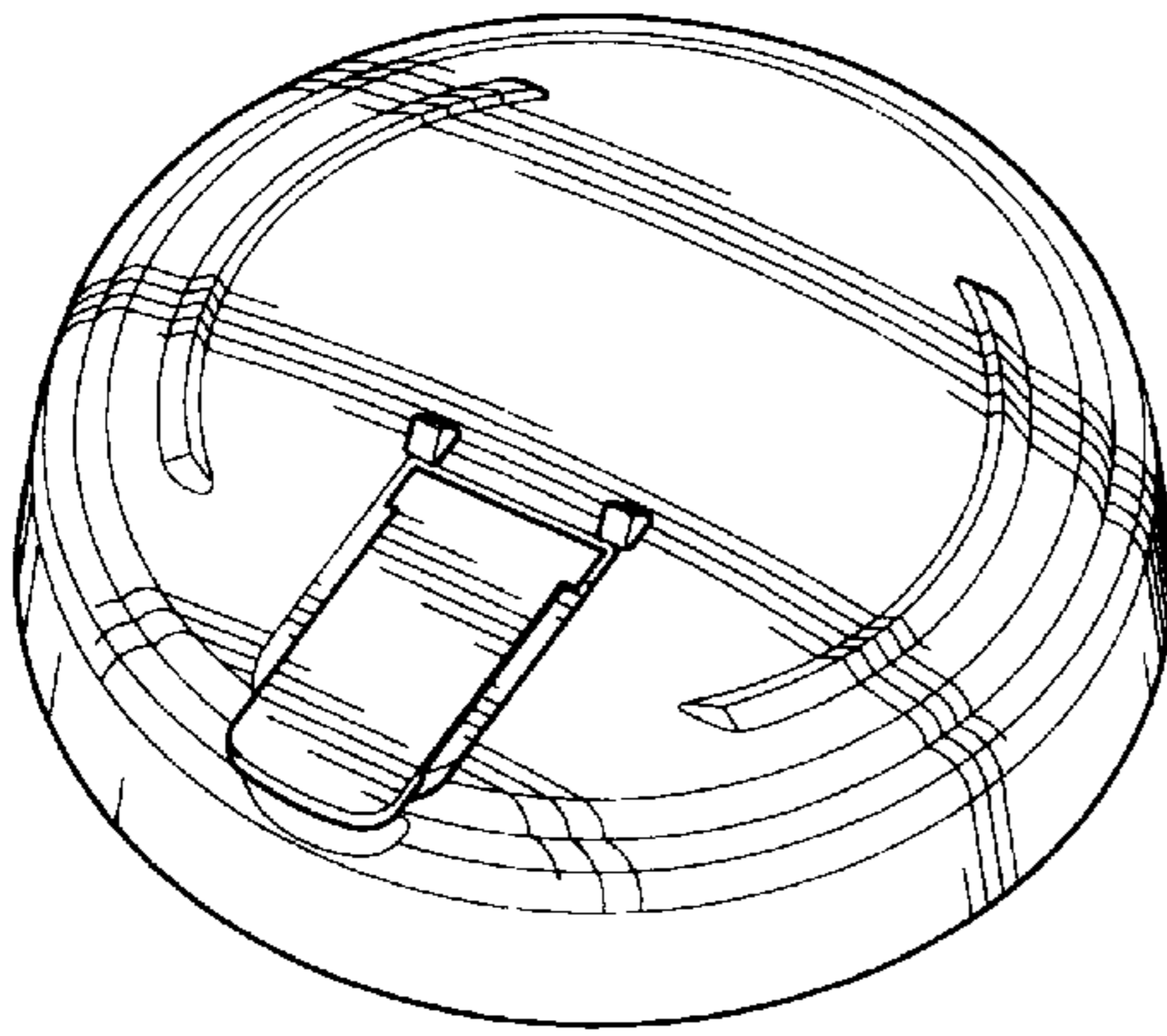


Figure 7

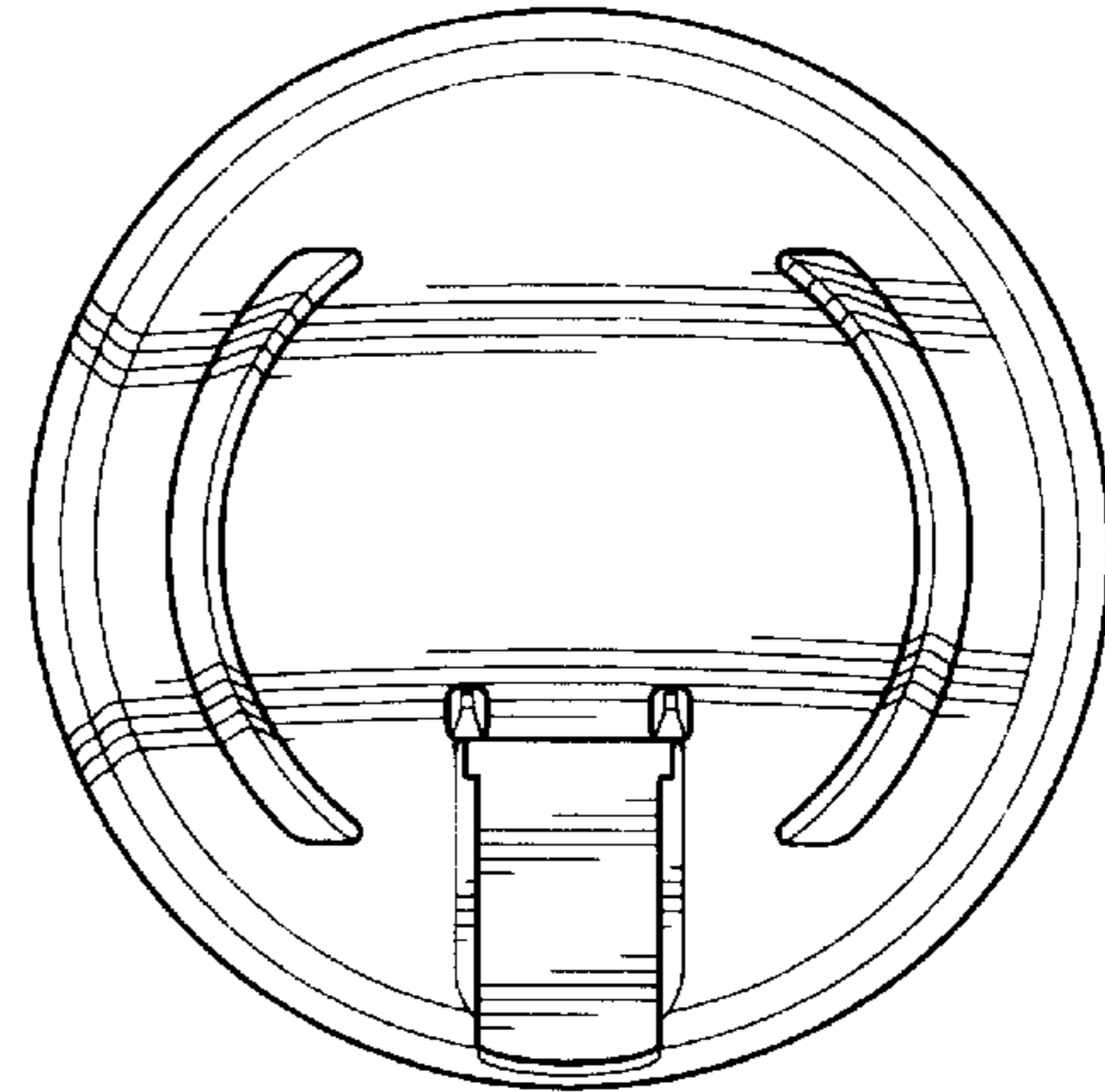


Figure 8

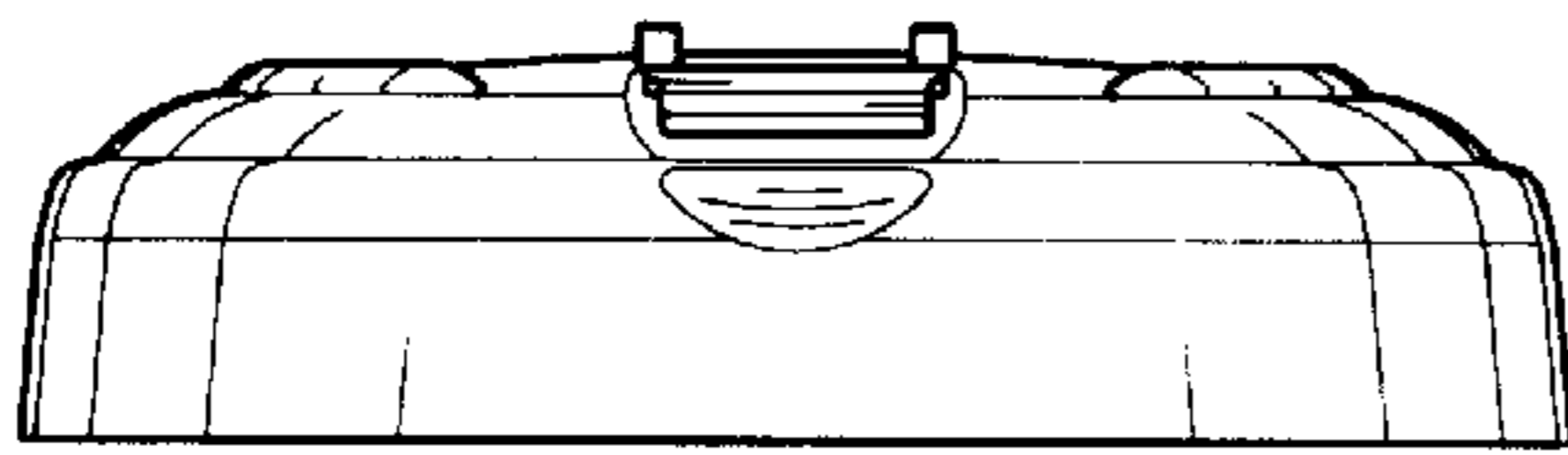


Figure 9

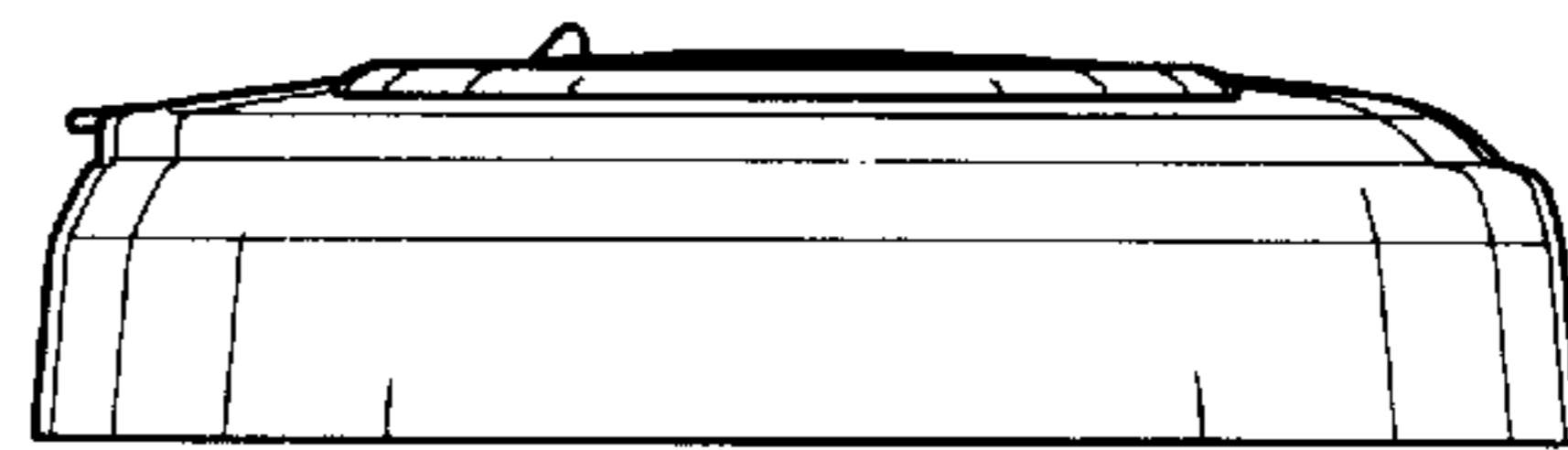


Figure 10

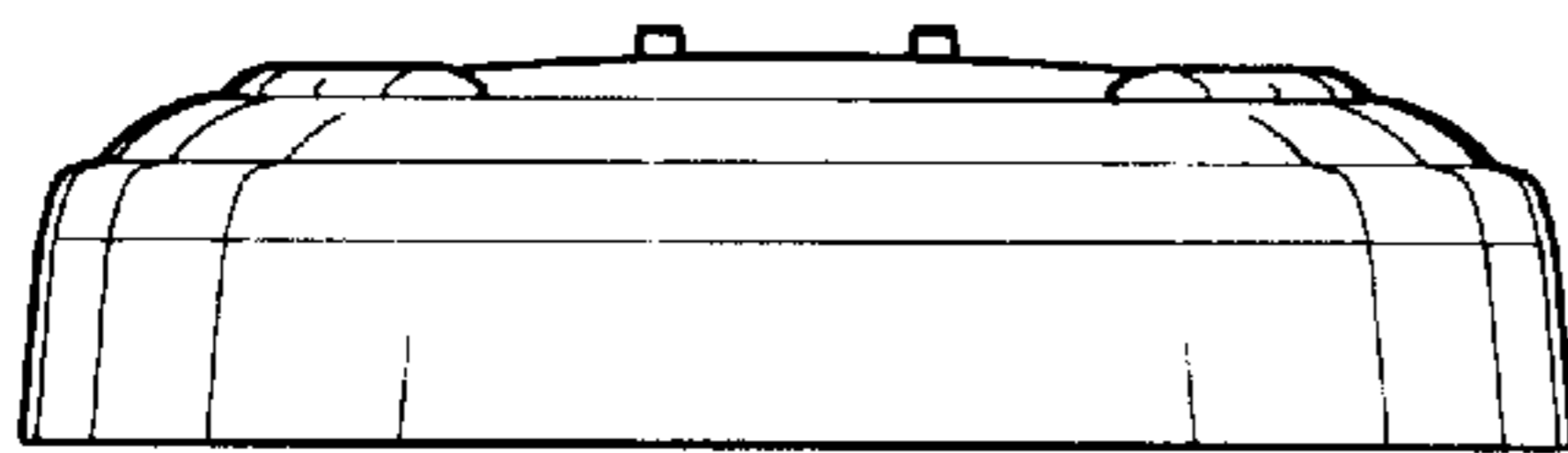


Figure 11

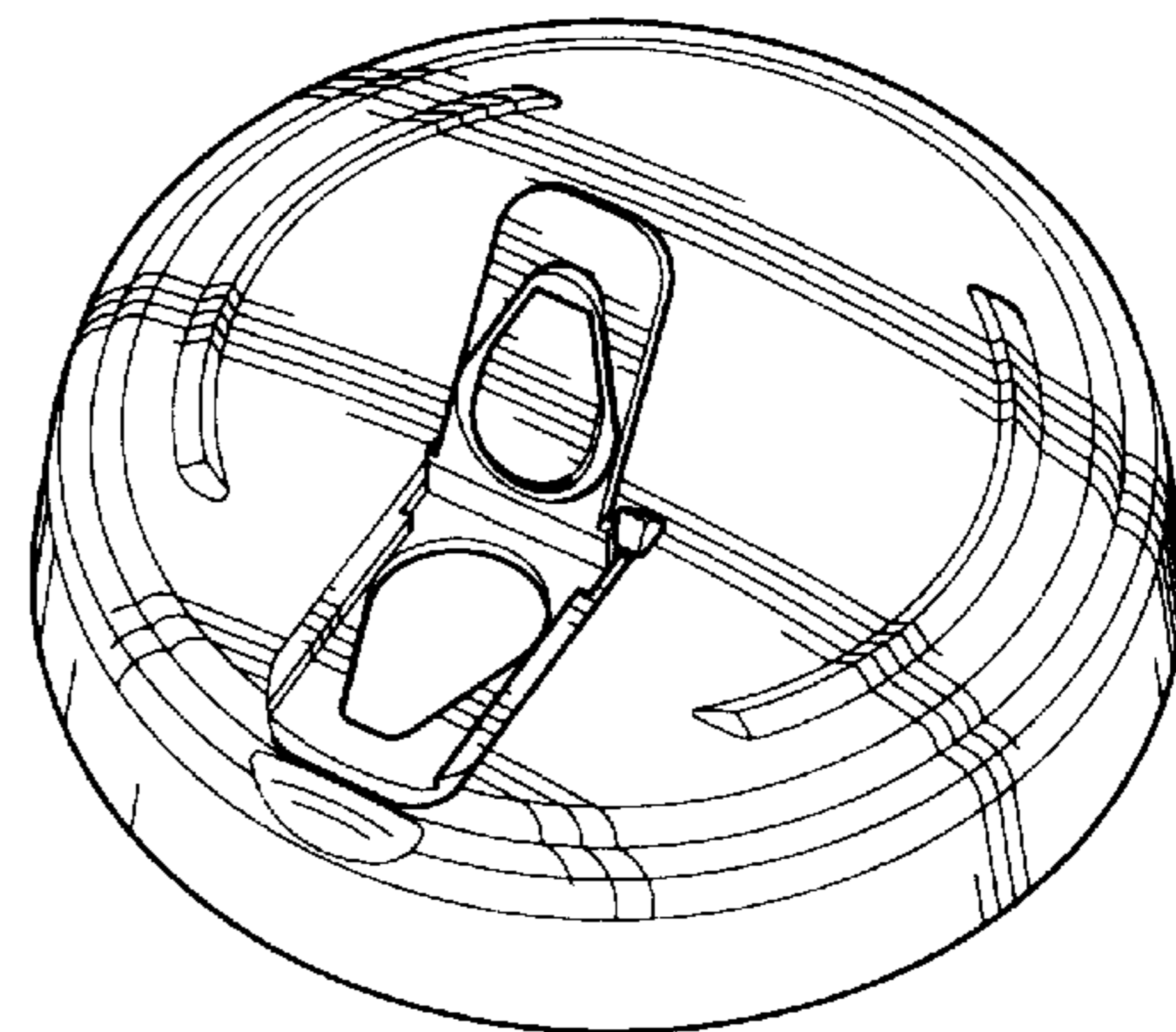


Figure 12