



US00D538651S

(12) **United States Design Patent**
Nukuto et al.

(10) **Patent No.:** **US D538,651 S**
(45) **Date of Patent:** **** Mar. 20, 2007**

(54) **ACTUATOR CAP**

(75) Inventors: **George I. Nukuto**, Des Plaines, IL (US); **Neil P. Williams**, Racine, WI (US); **Edward J. Kunesh**, Franksville, WI (US); **Allen D. Miller**, Racine, WI (US); **Dirk K. Nickel**, Mukwonago, WI (US); **Terrance M. Parve**, Menomonee Falls, WI (US)

(73) Assignee: **S.C. Johnson & Son, Inc.**, Racine, WI (US)

(**) Term: **14 Years**

(21) Appl. No.: **29/224,380**

(22) Filed: **Feb. 28, 2005**

(51) **LOC (8) Cl.** **09-07**

(52) **U.S. Cl.** **D9/448**

(58) **Field of Classification Search** D9/686,
D9/682, 529, 453, 449, 448, 447, 445, 444,
D9/440, 435; 222/182, 153.1; 220/915
See application file for complete search history.

(56) **References Cited**

U.S. PATENT DOCUMENTS

- D208,224 S * 8/1967 Crowell D9/448
- D323,117 S 1/1992 Demarest
- D365,900 S * 1/1996 Kamm D34/1
- D379,433 S 5/1997 Croft
- D396,638 S 8/1998 Demarest

- D423,356 S 4/2000 Mineau et al.
- D491,064 S 6/2004 Miller et al.
- D507,487 S * 7/2005 Marroncles D9/448
- D510,864 S * 10/2005 Morris et al. D9/448
- D515,921 S * 2/2006 Marroncles D9/449

* cited by examiner

Primary Examiner—Robert M. Spear
Assistant Examiner—Susan Bennett Hattan

(57) **CLAIM**

The ornamental design for an actuator cap, as shown and described.

DESCRIPTION

The nature of this product is as an actuator cap for an aerosol container for dispensing materials such as aerosolized insect repellents, insecticides, cleaners, and fragrances.

FIG. 1 is a left, top, frontal perspective view of an actuator cap embodying our new design;

FIG. 2 is a front elevational view thereof;

FIG. 3 is a rear elevational view thereof;

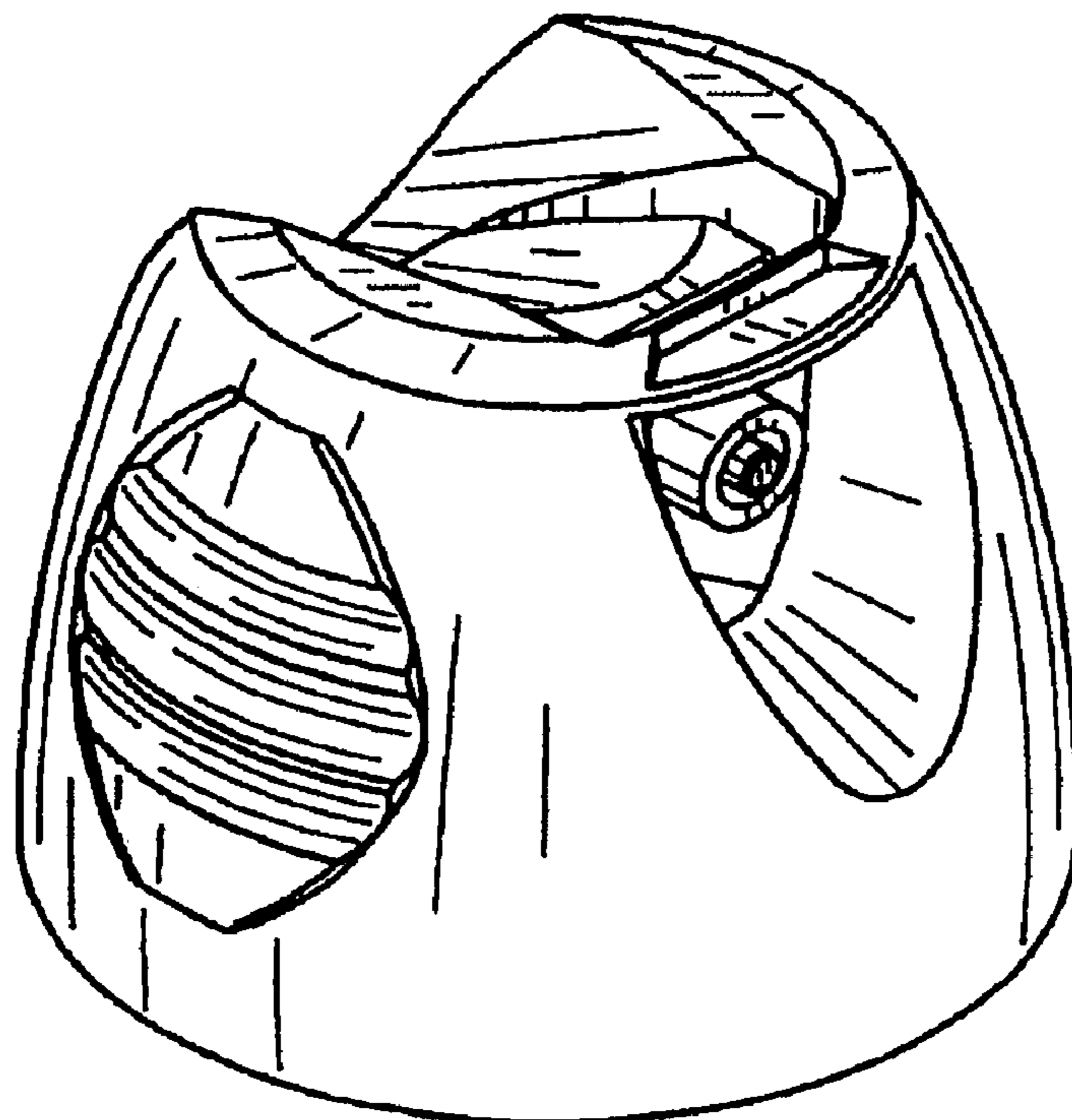
FIG. 4 is a left side elevational view thereof, the right side elevational view thereof being the mirror image thereof;

FIG. 5 is a top plan view thereof; and,

FIG. 6 is a similar view to that of FIG. 1, except that the FIG. 1 actuator cap is now shown with the environment of a container.

The broken line representation of a container environment in FIG. 6 is for purposes of illustration only and forms no part of the claim.

1 Claim, 3 Drawing Sheets



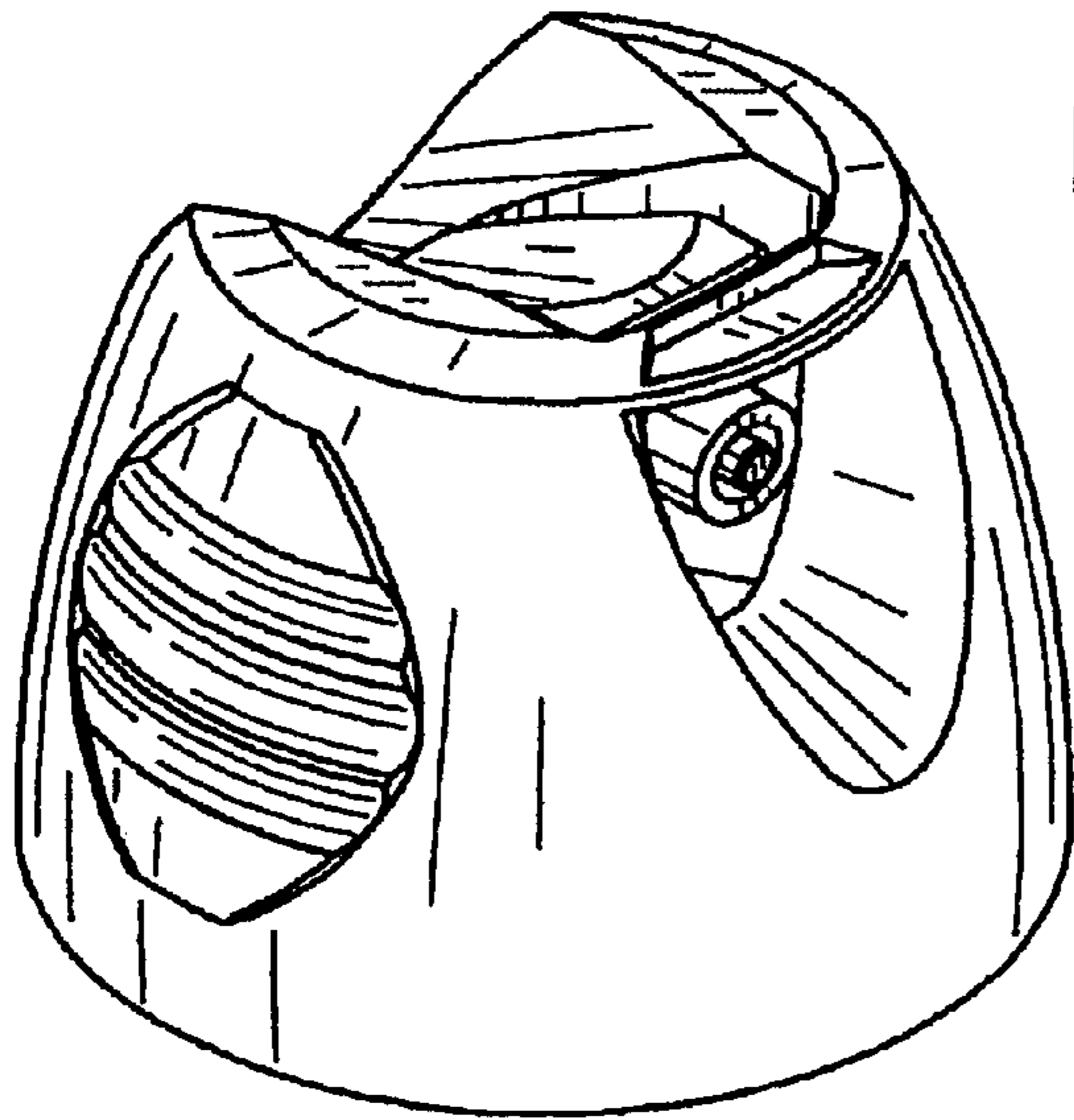


FIG. 1

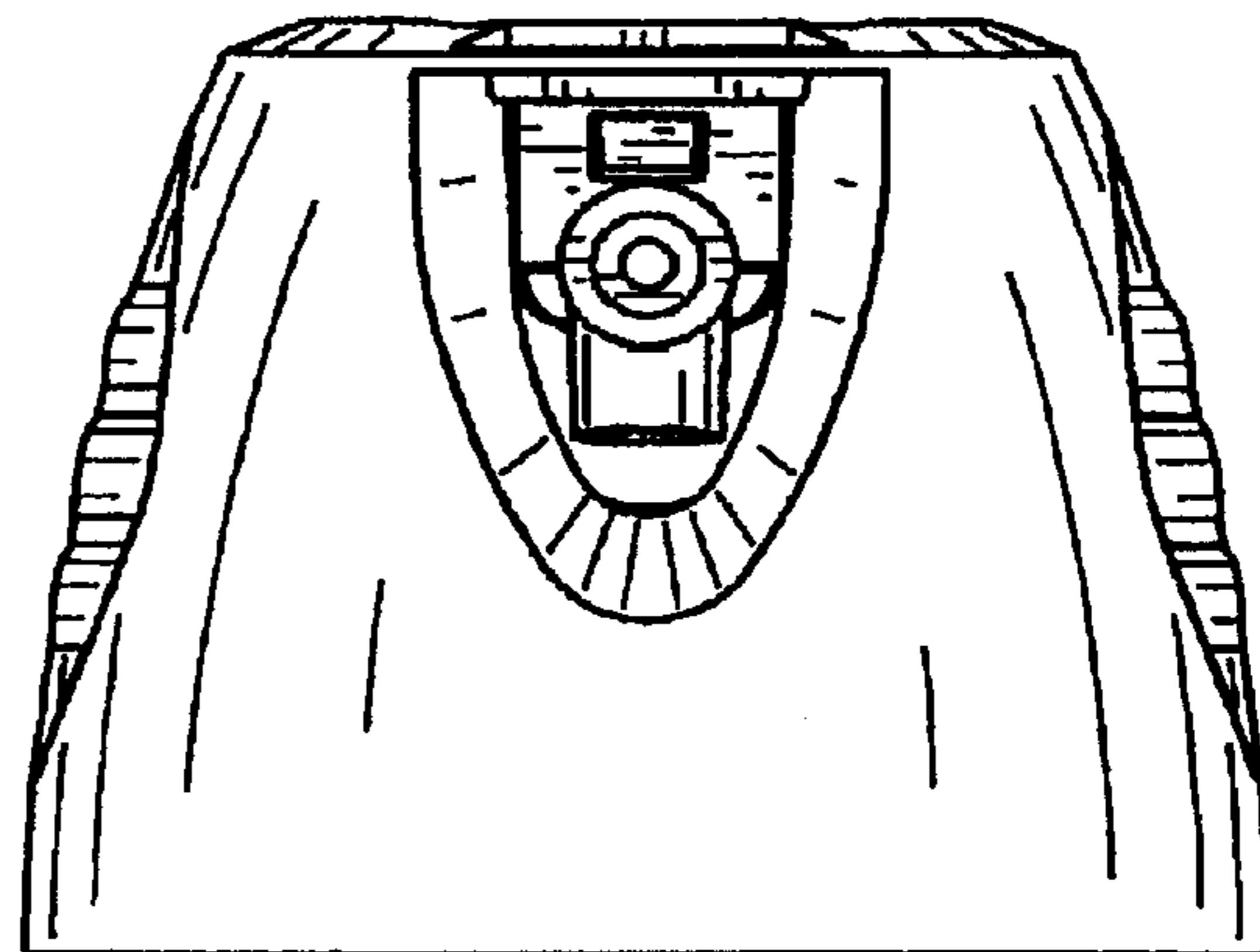


FIG. 2

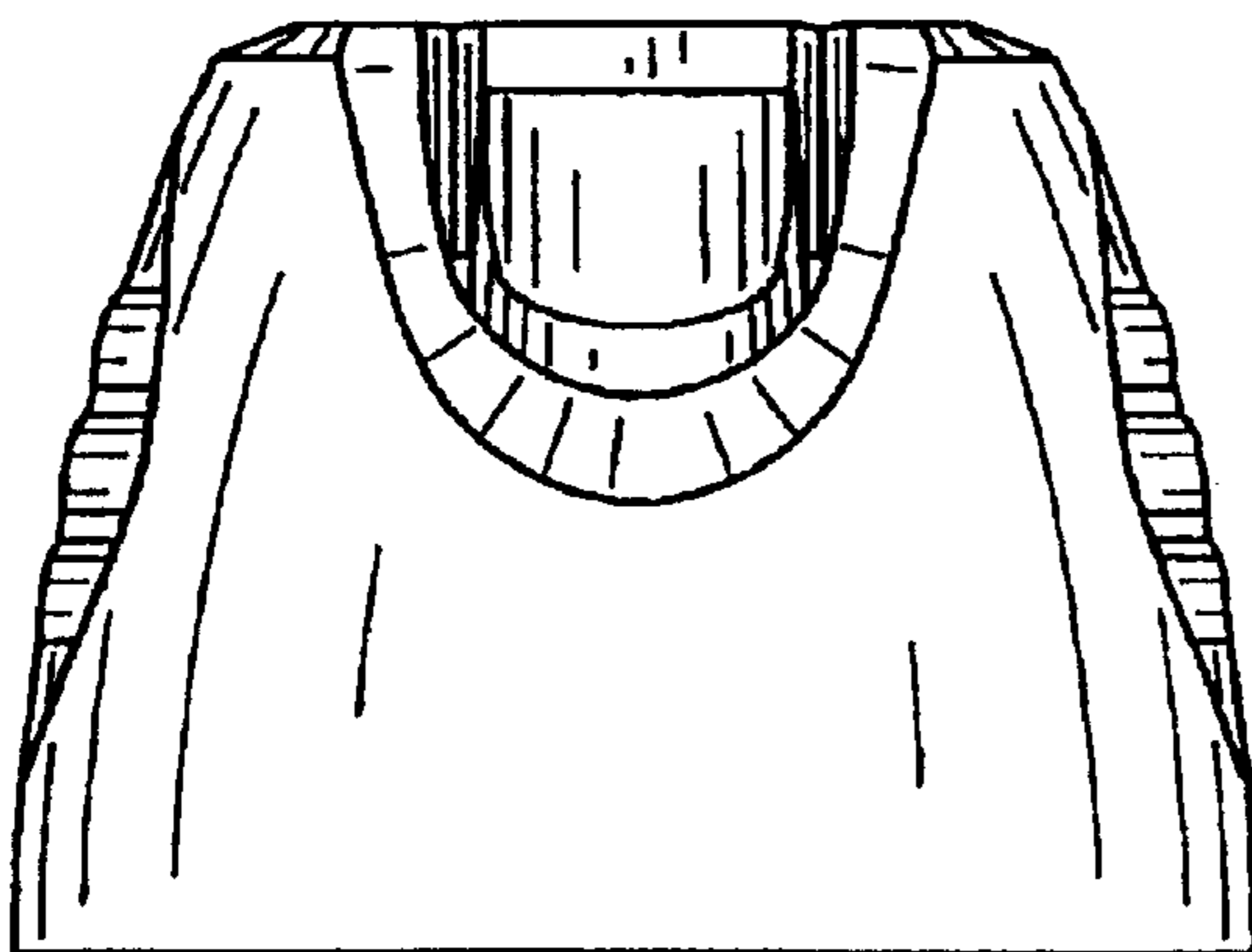


FIG. 3

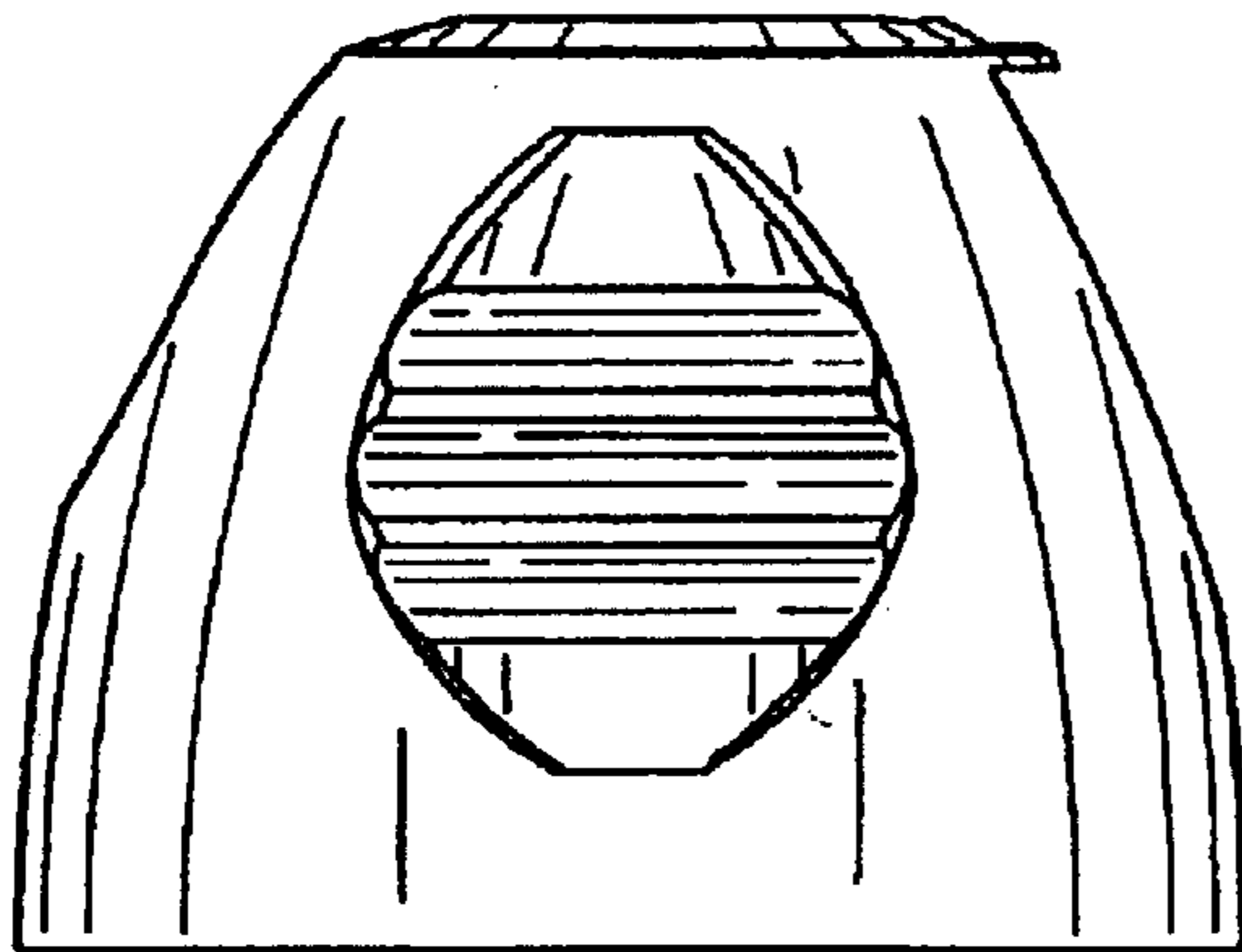
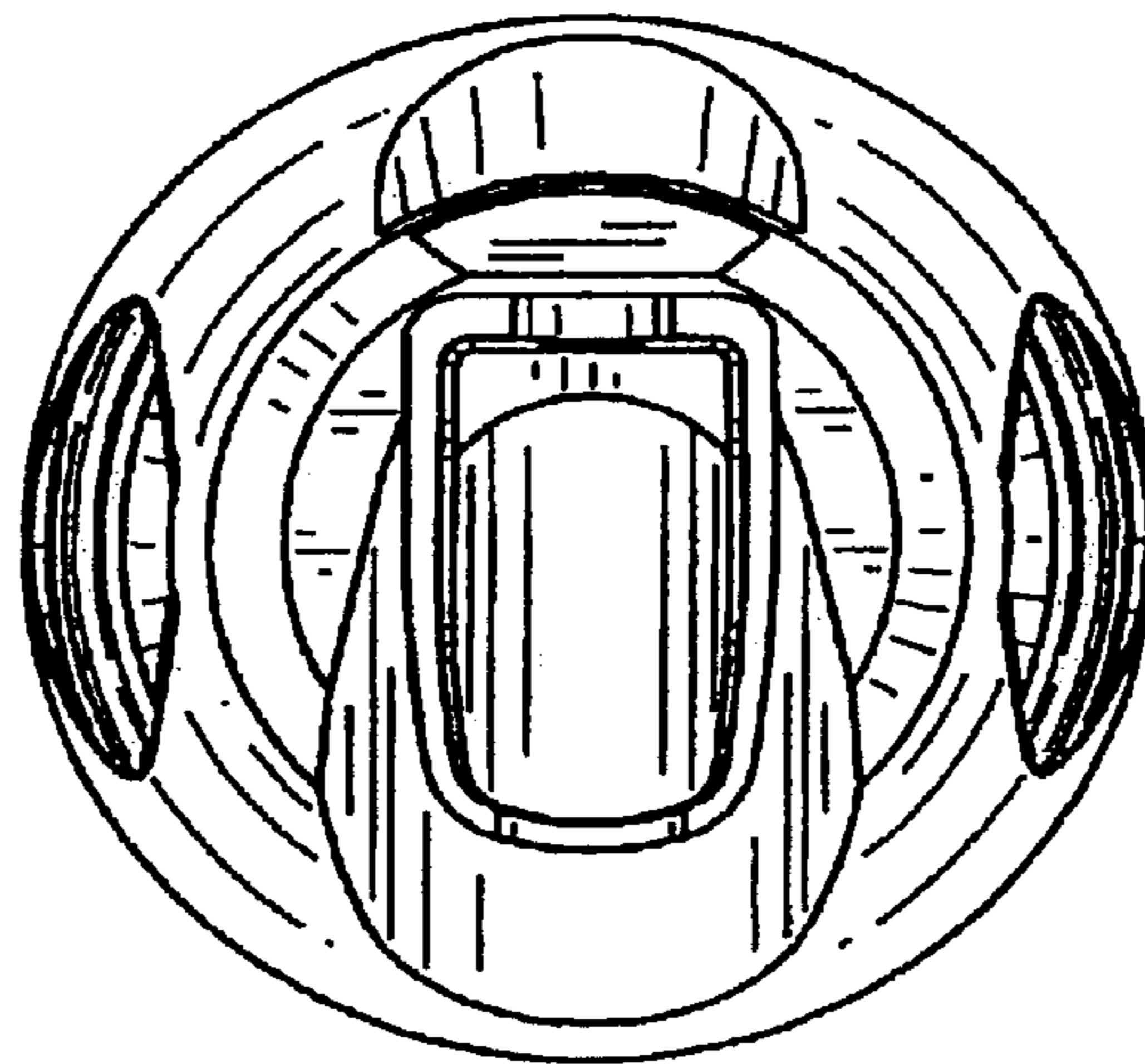


FIG. 4

FIG. 5



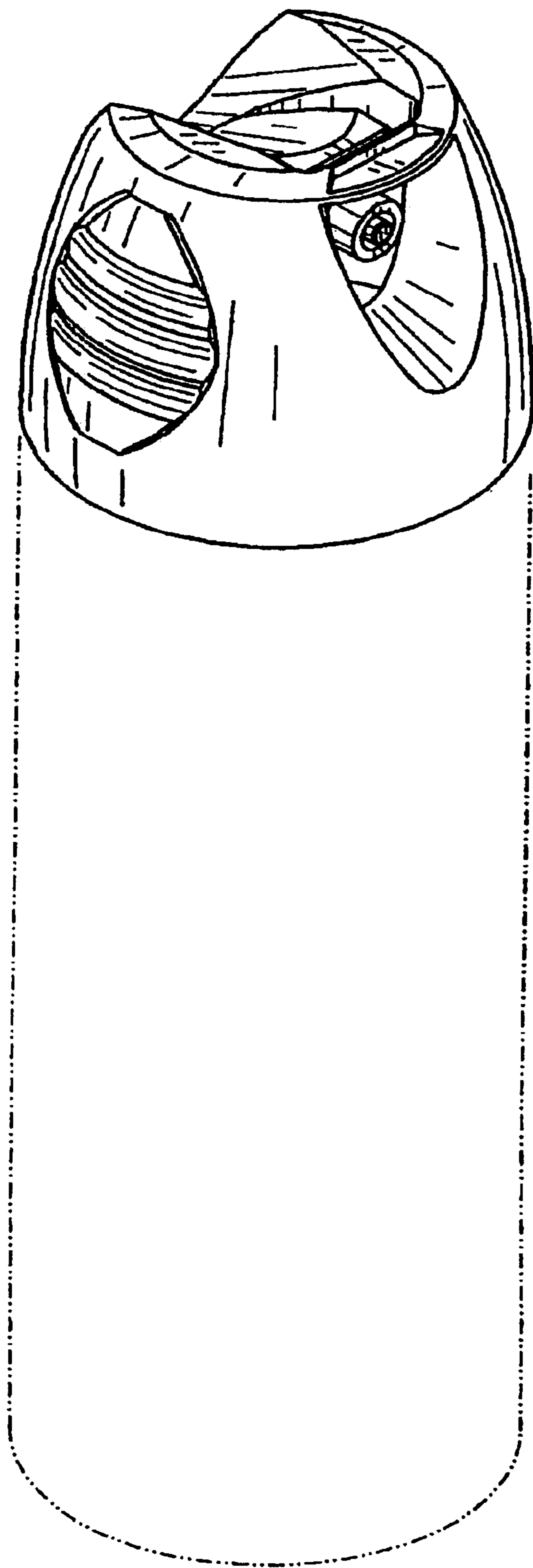


FIG. 6