



US00D538649S

(12) **United States Design Patent** (10) **Patent No.:** **US D538,649 S**
Anderson et al. (45) **Date of Patent:** **** Mar. 20, 2007**

(54) **DISPENSING ATTACHMENT FOR DISPENSING UNIT PRODUCTS, FOR INSTANCE PILLS**

(75) Inventors: **Gregor John McLennan Anderson**, Ware (GB); **Ralph George Lamble**, Huntingdon (GB); **Tom Snow**, Huntingdon (GB)

(73) Assignee: **Glaxo Group Limited**, Greenford (GB)

(**) Term: **14 Years**

(21) Appl. No.: **29/206,868**

(22) Filed: **Jun. 4, 2004**

(30) **Foreign Application Priority Data**

Dec. 8, 2003 (GB) 3015493

(51) **LOC (8) Cl.** **09-07**

(52) **U.S. Cl.** **D9/447; D9/449**

(58) **Field of Classification Search** D9/447, D9/444, 440, 436, 435, 565, 552, 499, 454; D7/900, 619.1, 396.2, 392.1, 300.2; 220/713, 220/711, 709, 705, 253; D3/203.4, 203.2; 222/610, 167

See application file for complete search history.

(56) **References Cited**

U.S. PATENT DOCUMENTS

- 4,723,690 A * 2/1988 vom Hofe 221/96
- D321,479 S * 11/1991 Wiseman et al. D9/552
- D332,920 S * 2/1993 Tiramani et al. D9/552
- D353,543 S * 12/1994 Matsumoto D9/552
- 6,308,851 B1 * 10/2001 Welschoff 220/253
- D458,142 S * 6/2002 Schuller et al. D9/530
- D485,308 S * 1/2004 DeLuca et al. D9/552

* cited by examiner

Primary Examiner—Robert M. Spear

Assistant Examiner—Susan Bennett Hattan

(74) *Attorney, Agent, or Firm*—James P. Riek

(57) **CLAIM**

The ornamental design for a dispensing attachment for dispensing unit products, for instance pills, as shown and described.

DESCRIPTION

The patent or application file contains at least one drawing executed in color. Copies of this patent or patent application publication with color drawing(s) will be provided by the Office upon request and payment of the necessary fee.

FIG. 1 is a perspective view from above, front and one side of a first embodiment of the present design;

FIG. 2 is a perspective view from below, rear and opposite side of the first embodiment of the present design;

FIG. 3 is a front view of the first embodiment of the present design;

FIG. 4 is a rear view of the first embodiment of the present design;

FIG. 5 is a side view of the first embodiment of the present design;

FIG. 6 is an opposite side view of the first embodiment of the present design;

FIG. 7 is a plan view of the first embodiment of the present design;

FIG. 8 is an underneath plan view of the first embodiment of the present design;

FIG. 9 is a front view of a product with a part shown in an alternative position (first embodiment of the present design);

FIG. 10 is a perspective view of the product shown in use (first embodiment of the present design);

FIG. 11 is a perspective view from above, front and one side of a second embodiment of the present design;

FIG. 12 is a perspective view from below, rear and opposite side of the second embodiment of the present design;

FIG. 13 is a front view of the second embodiment of the present design;

FIG. 14 is a rear view of the second embodiment of the present design;

FIG. 15 is a side view of the second embodiment of the present design;

FIG. 16 is an opposite side view of the second embodiment of the present design;

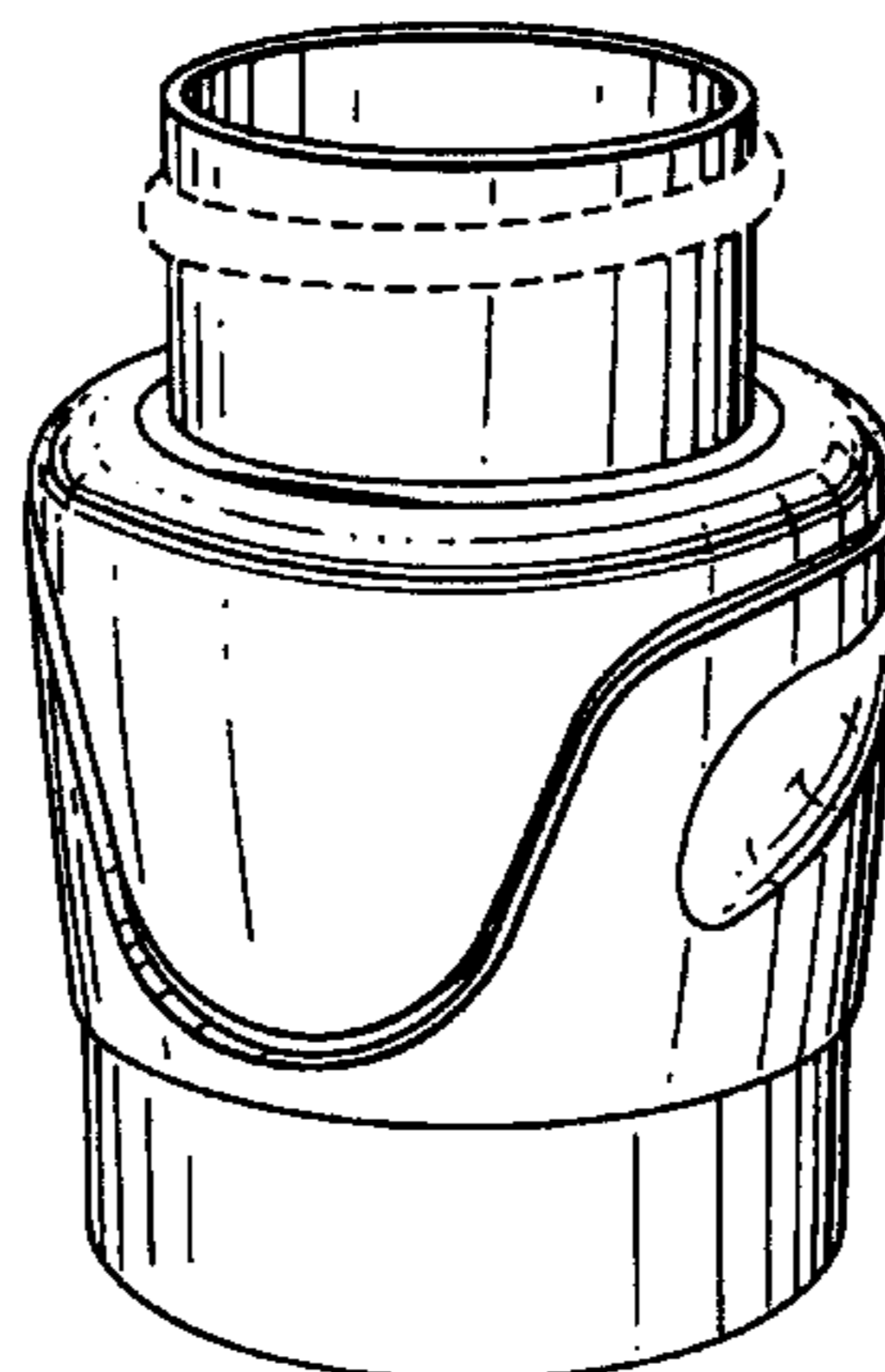


FIG. 17 is a plan view of the second embodiment of the present design;

FIG. 18 is an underneath plan view of the second embodiment of the present design;

FIG. 19 is a front view of a product with a part shown in an alternative position (second embodiment of the present design);

FIG. 20 is a perspective view of the product shown in use (second embodiment of the present design);

FIG. 21 is a perspective view from above, front and one side of a third embodiment of the present design;

FIG. 22 is a perspective view from below, rear and opposite side of the third embodiment of the present design;

FIG. 23 is a front view of the third embodiment of the present design;

FIG. 24 is a rear view of the third embodiment of the present design;

FIG. 25 is a side view of the third embodiment of the present design;

FIG. 26 is an opposite side view of the third embodiment of the present design;

FIG. 27 is a plan view of the third embodiment of the present design;

FIG. 28 is an underneath plan view of the third embodiment of the present design;

FIG. 29 is a front view of a product with a part shown in an alternative position (third embodiment of the present design); and,

FIG. 30 is a perspective view of the product shown in use (third embodiment of the present design).

The broken lines in the drawings are for illustrative purposes only and form no part of the claimed design.

1 Claim, 18 Drawing Sheets

(6 of 18 Drawing Sheet(s) Filed in Color)

FIG. 1

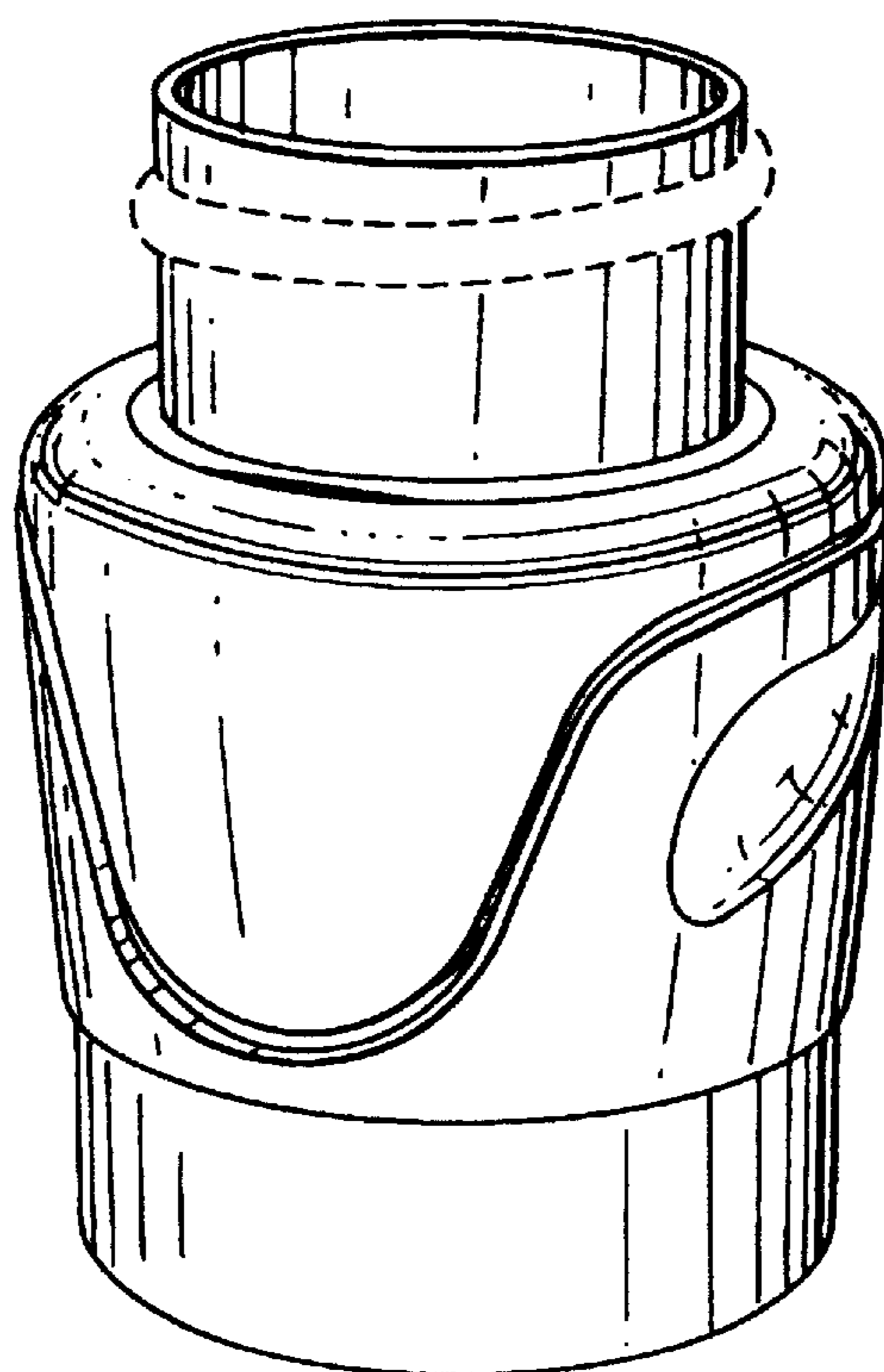


FIG. 2

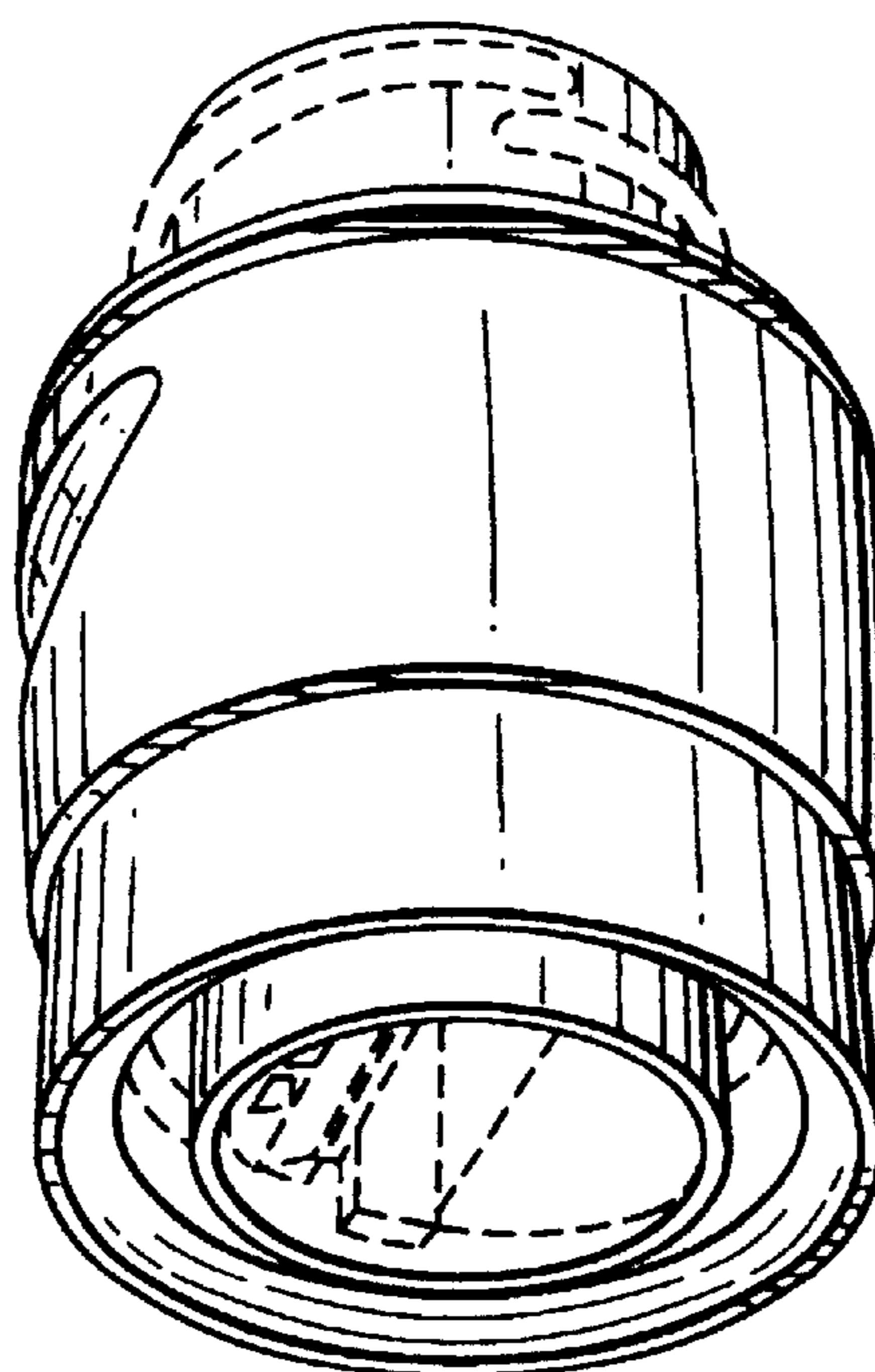


FIG. 3

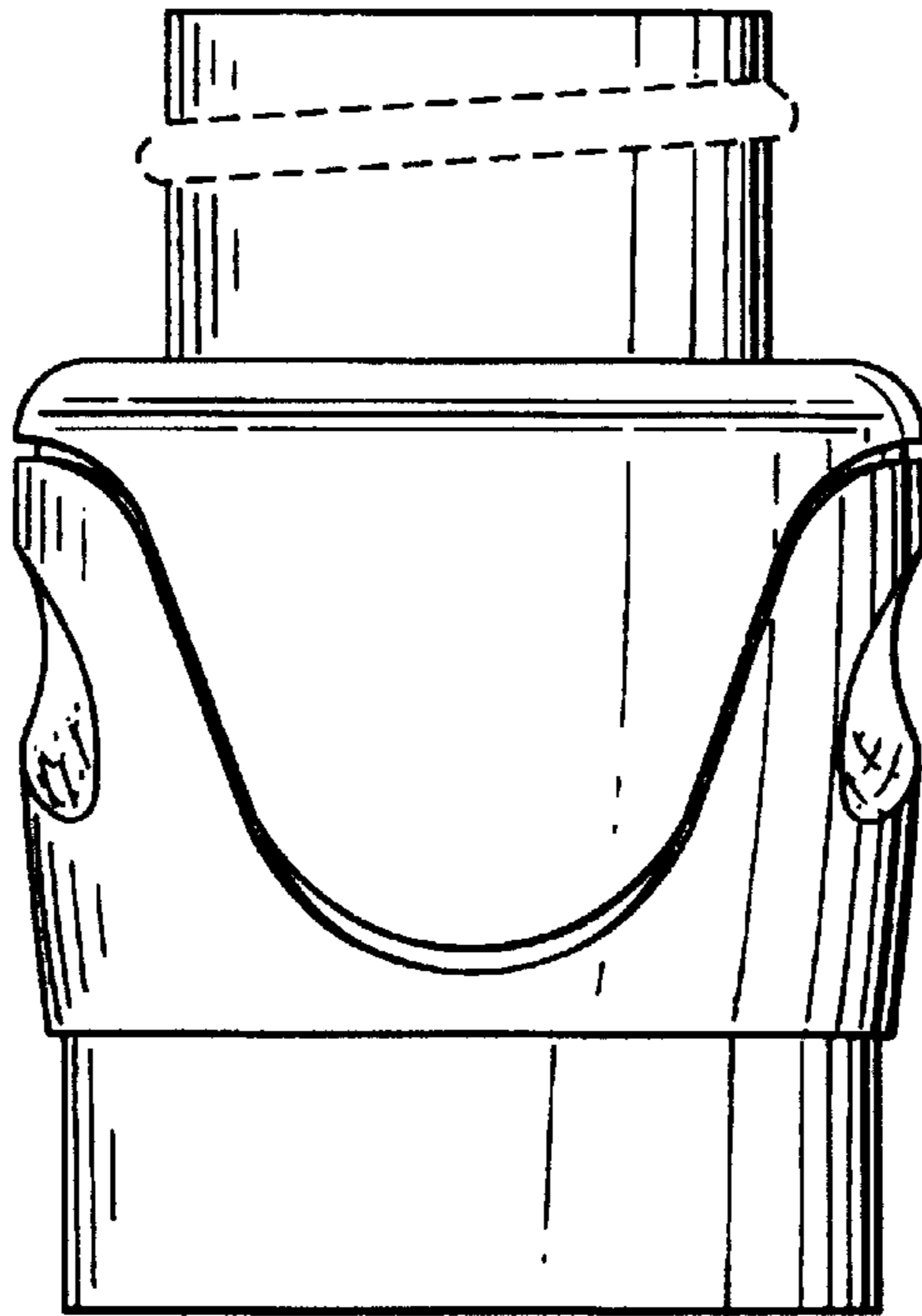


FIG. 4

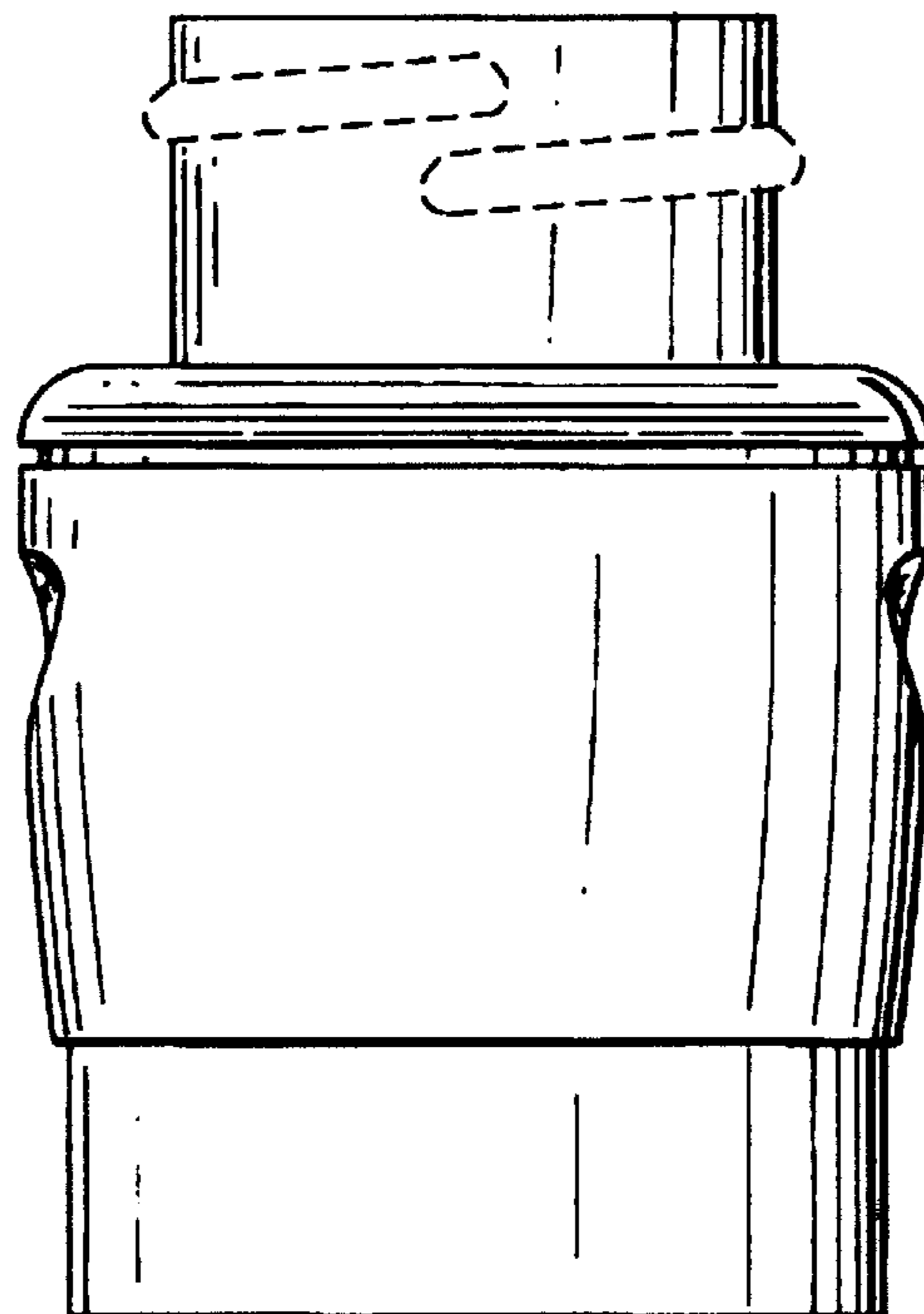


FIG. 5

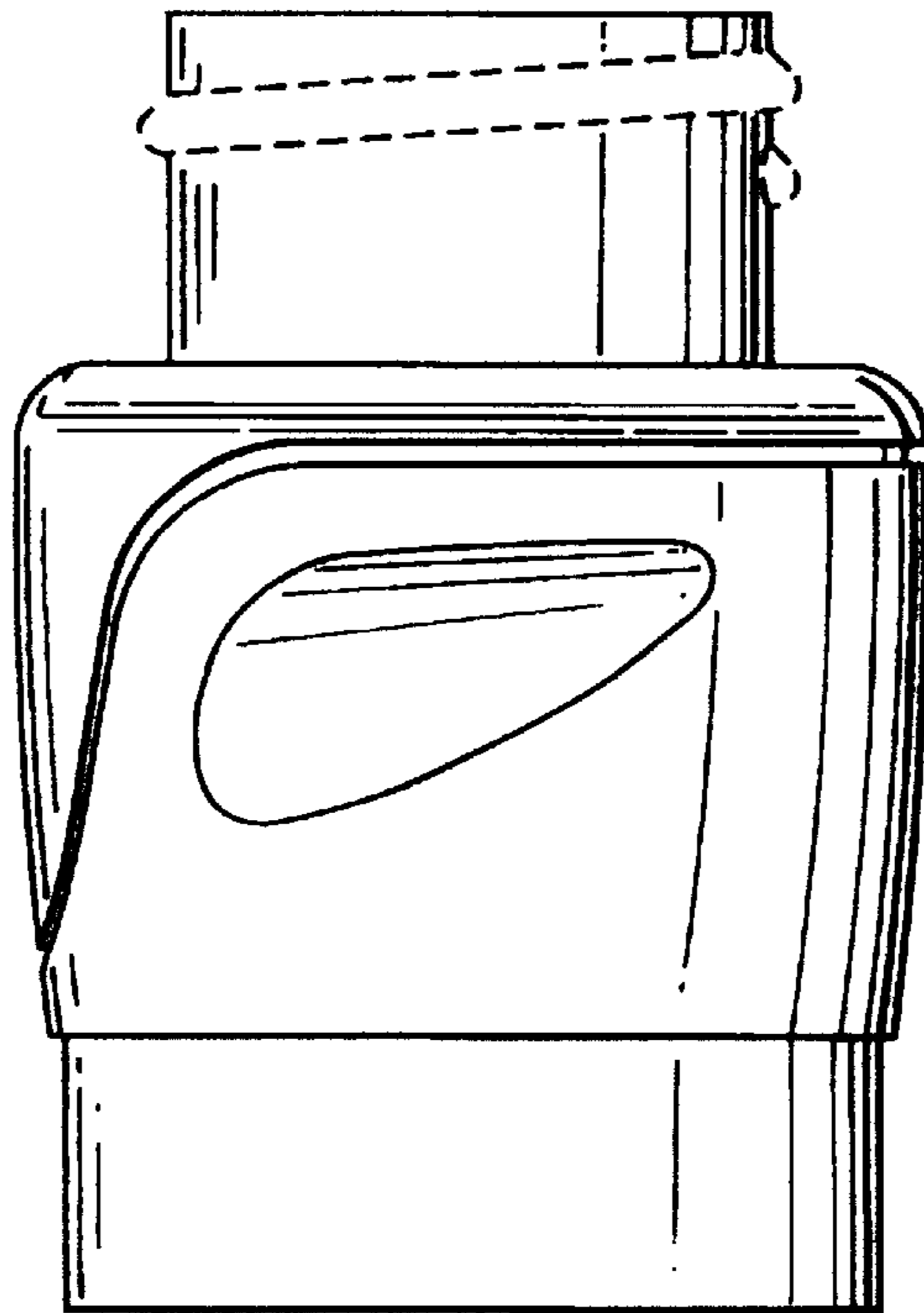


FIG. 6

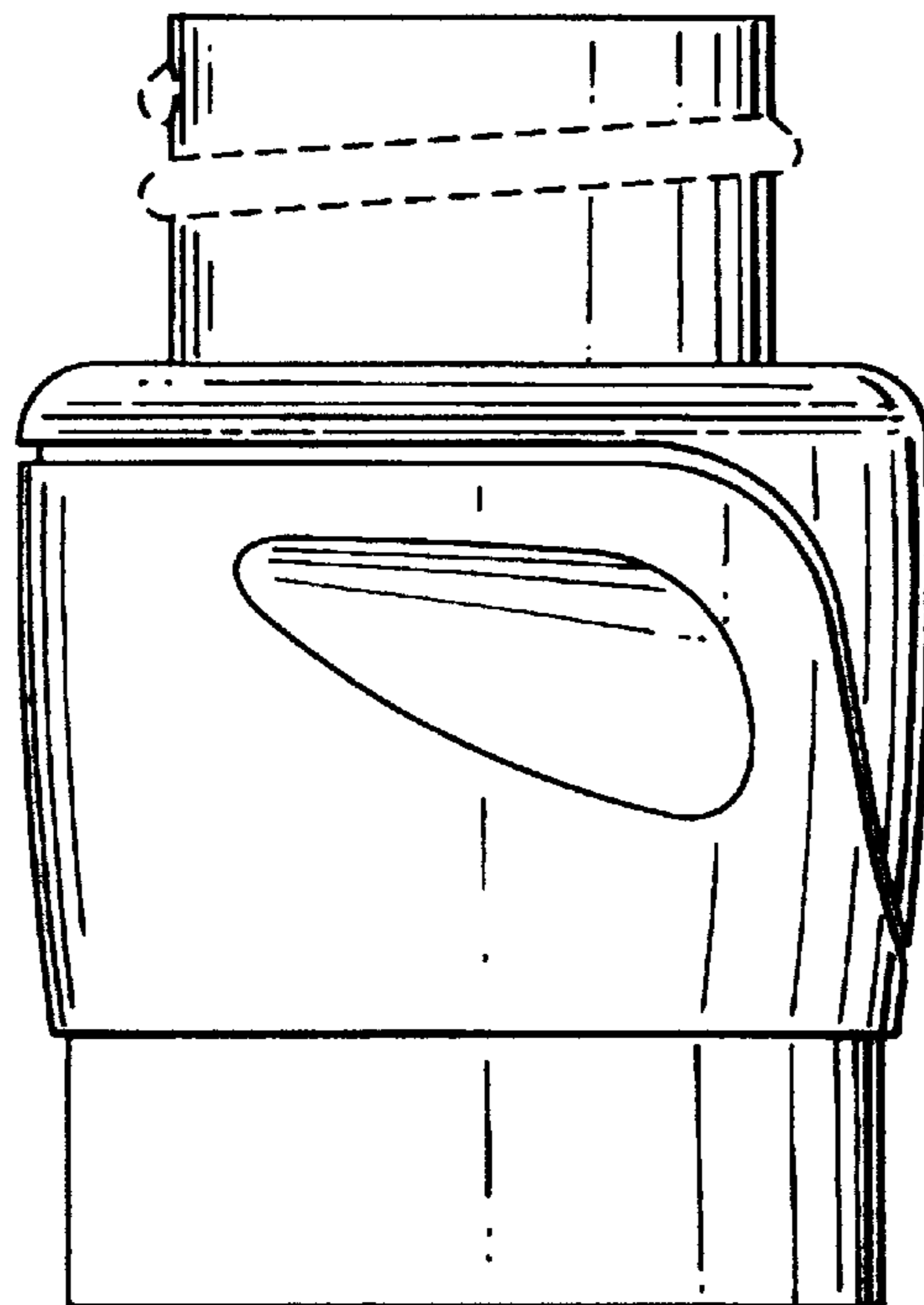


FIG. 7

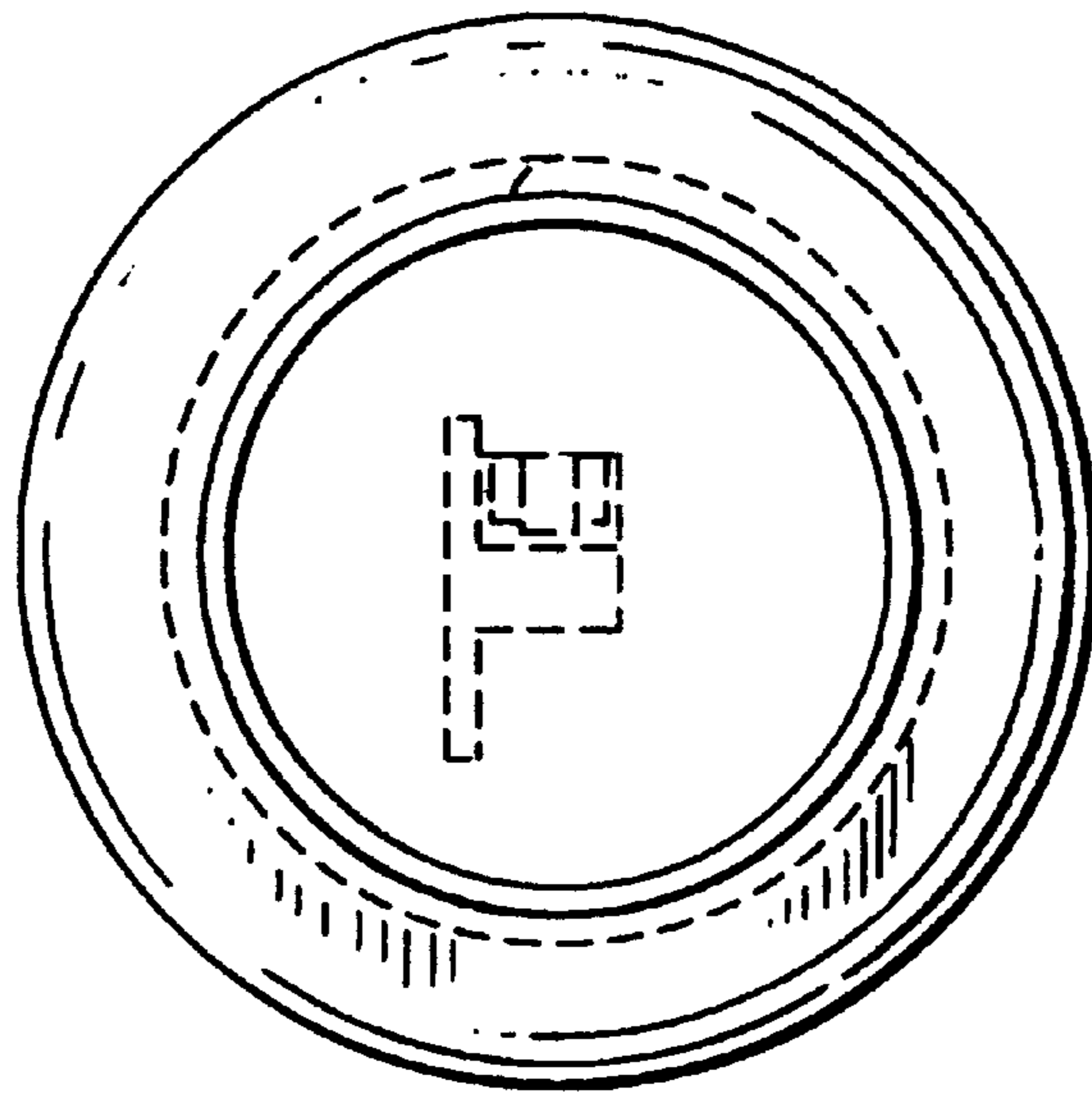


FIG. 8

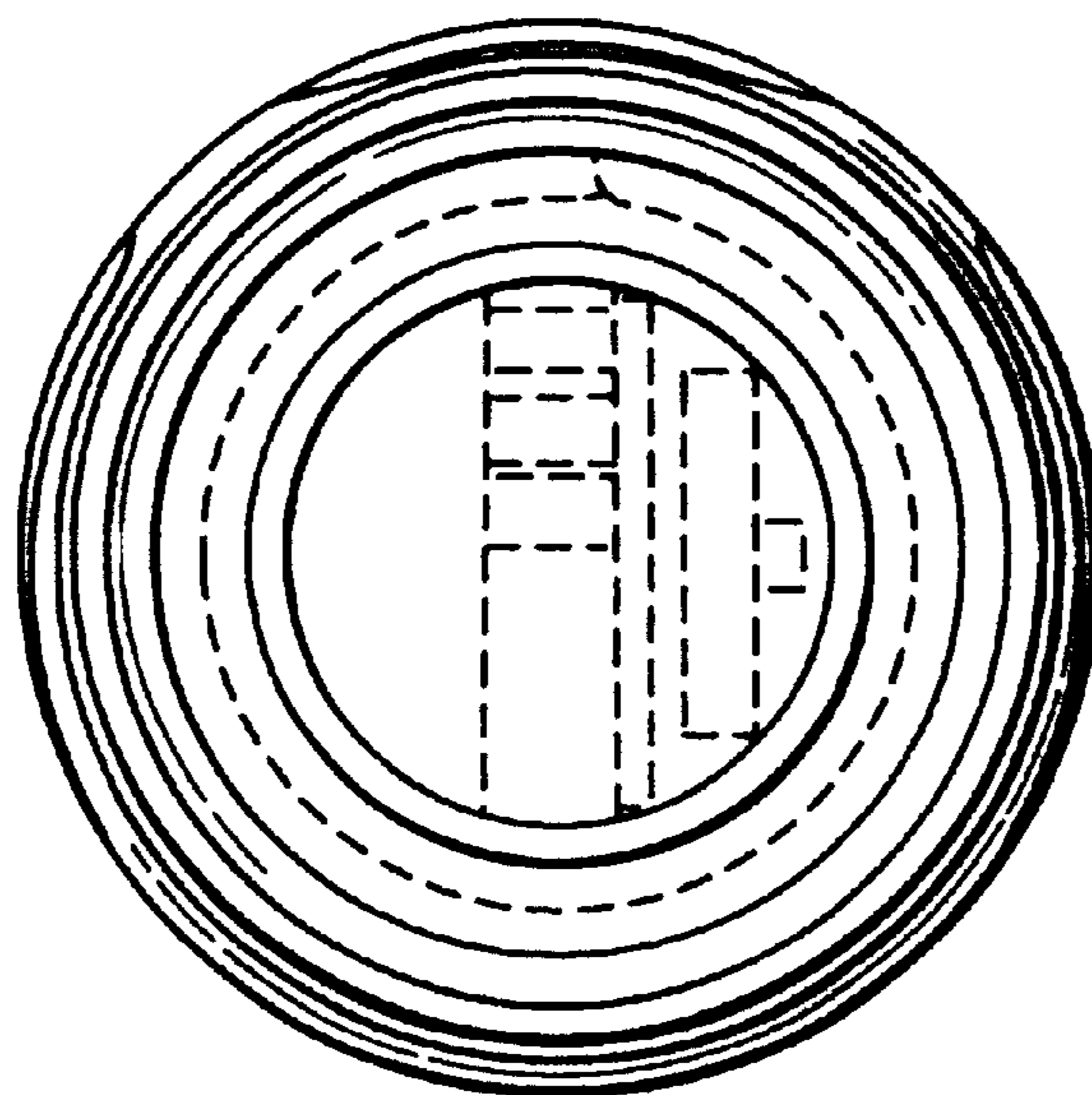


FIG. 9

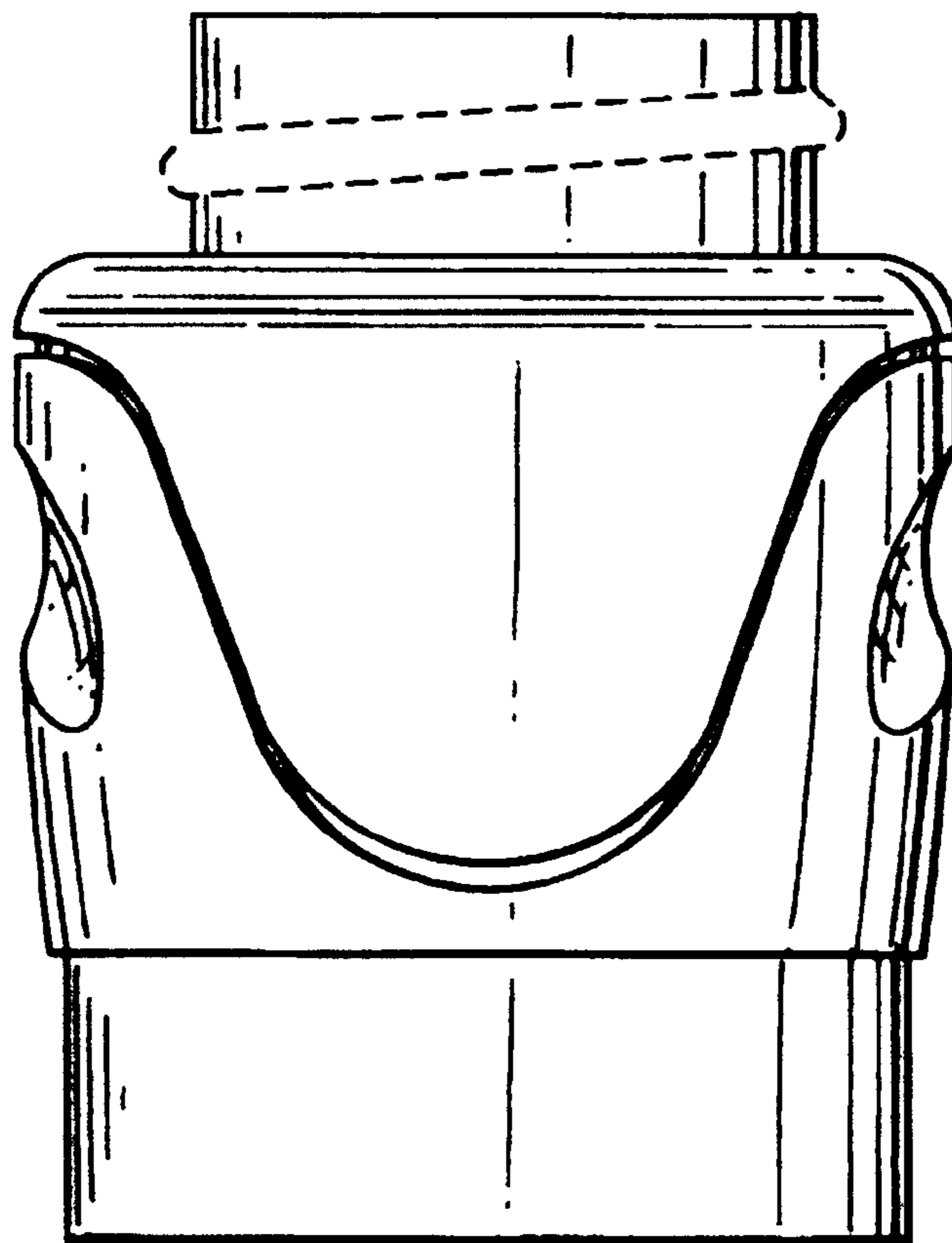


FIG. 10

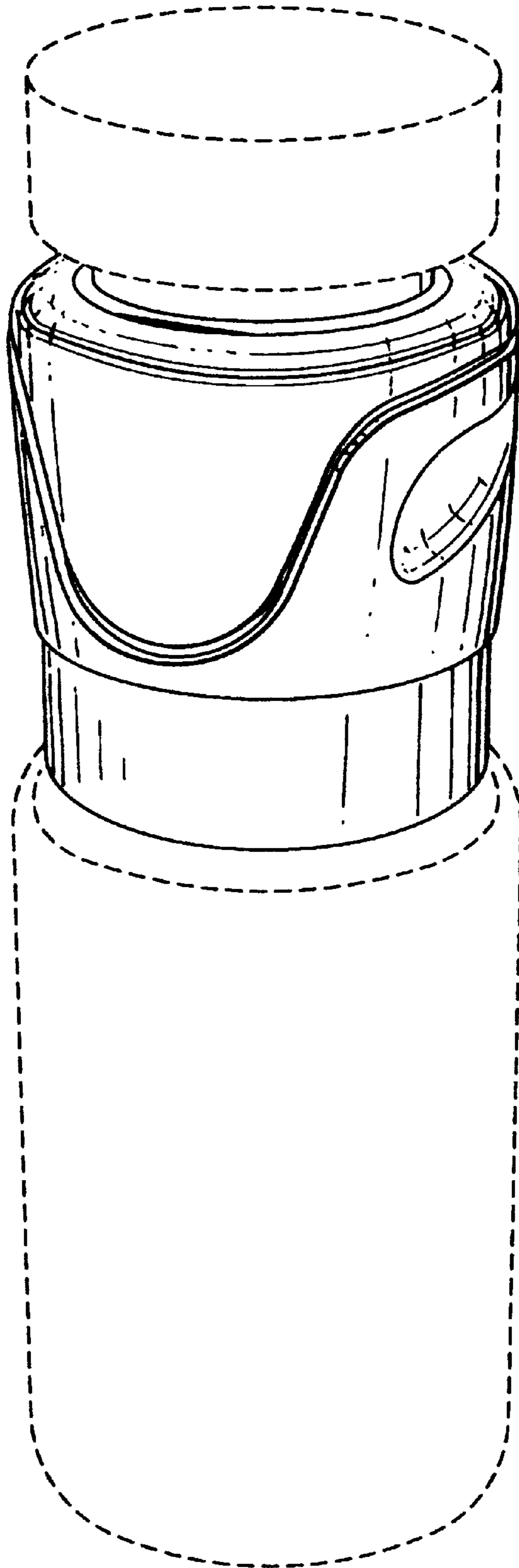


FIG. 11

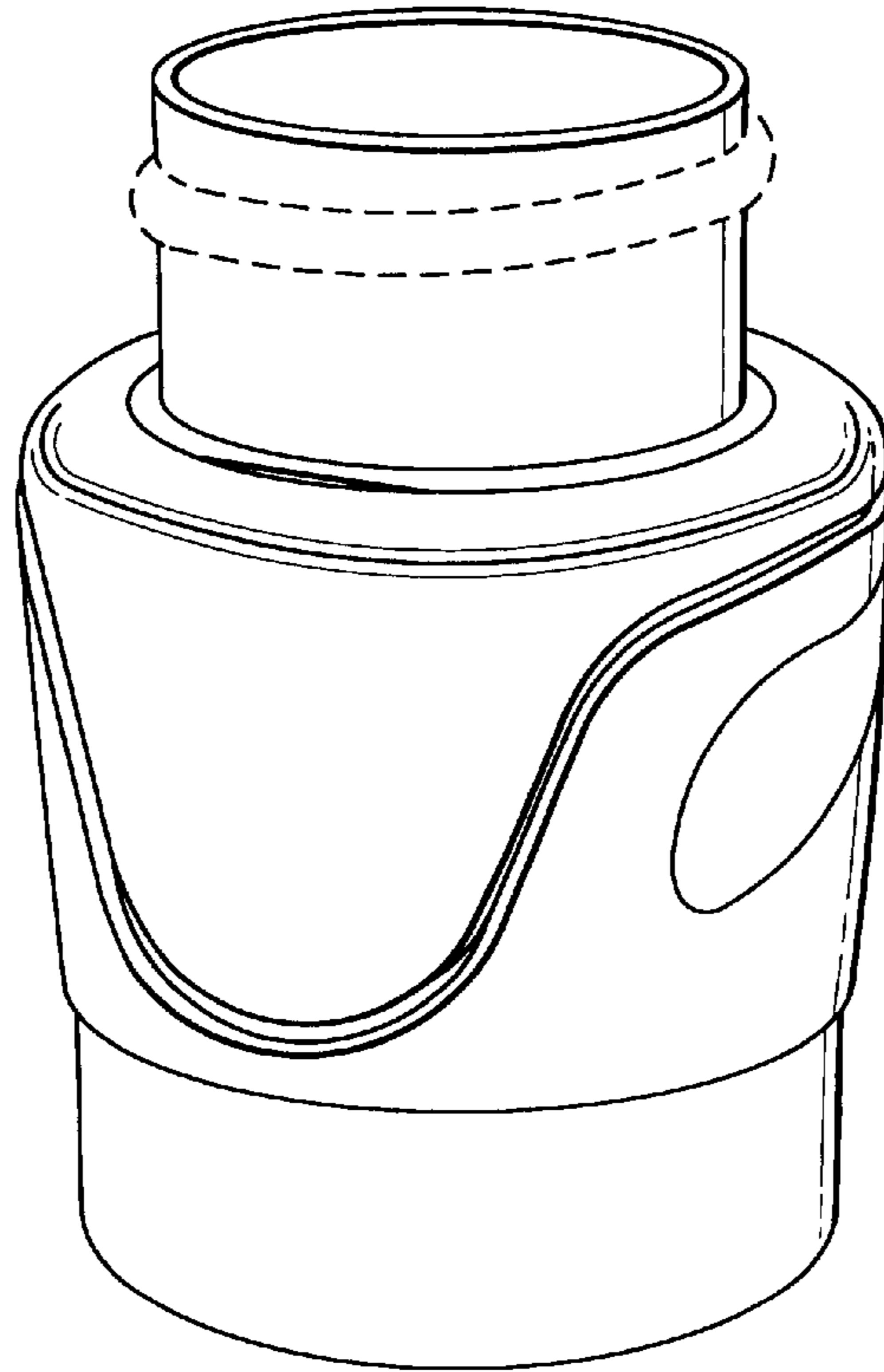


FIG. 12

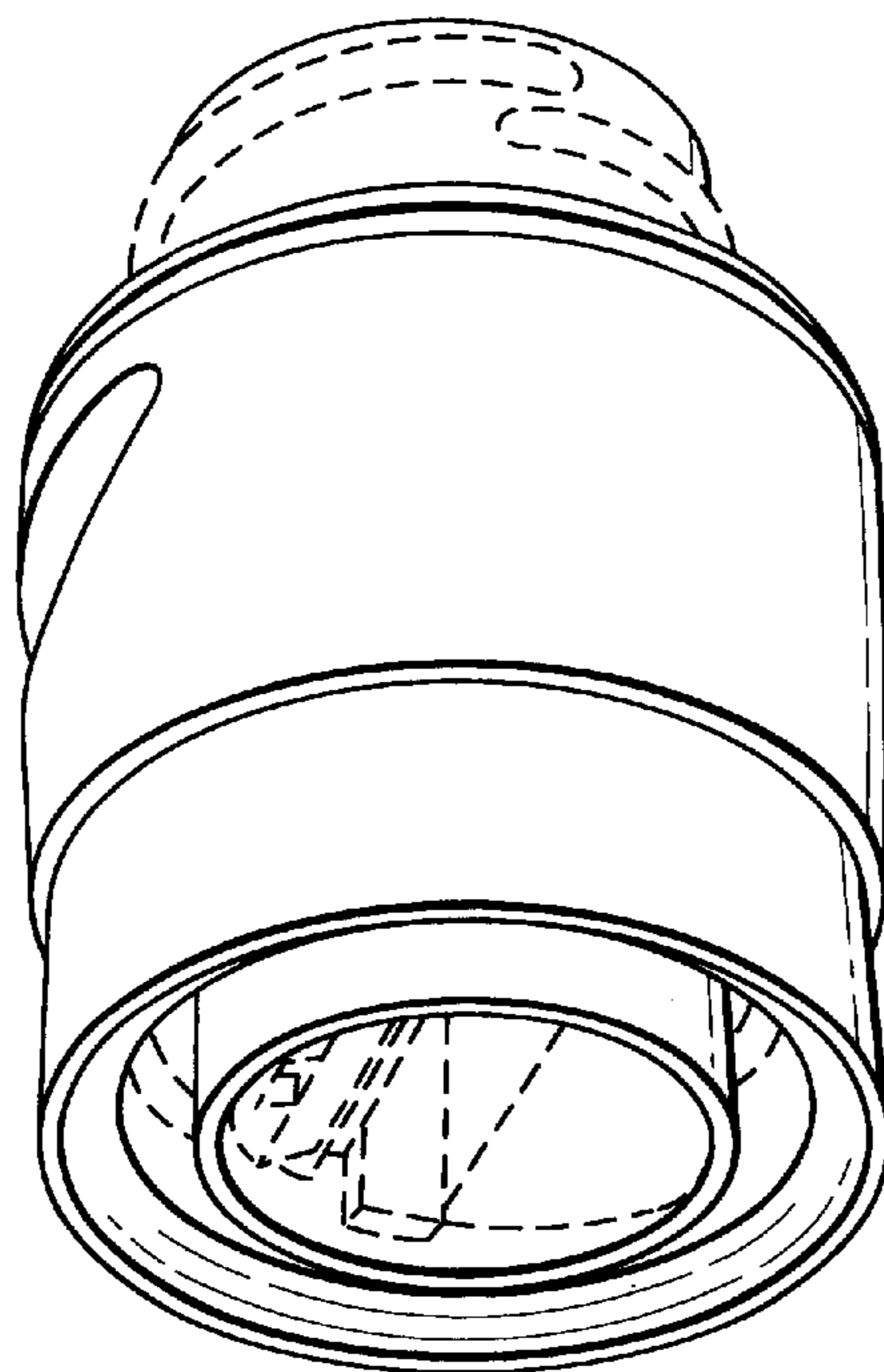


FIG. 13

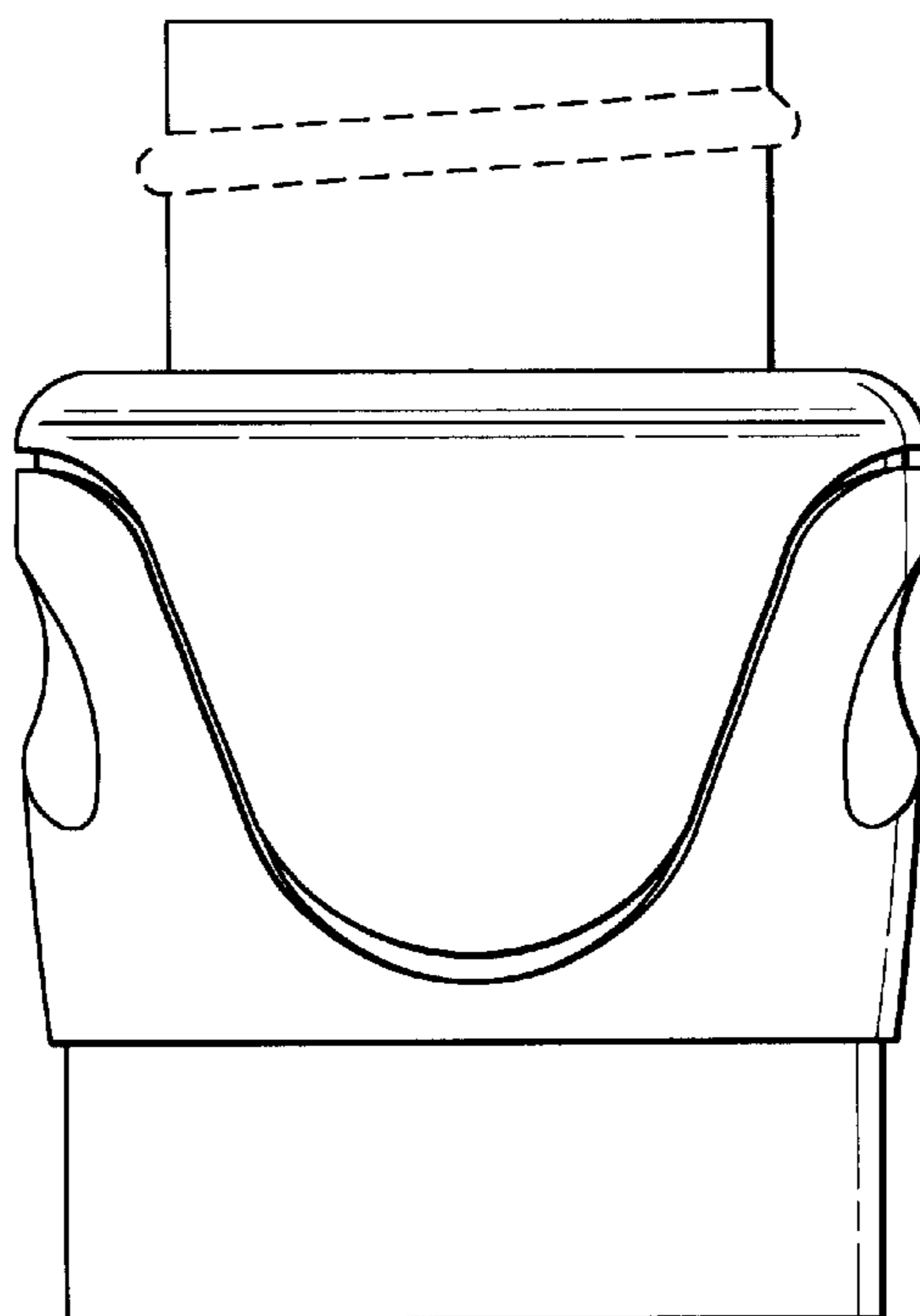


FIG. 14

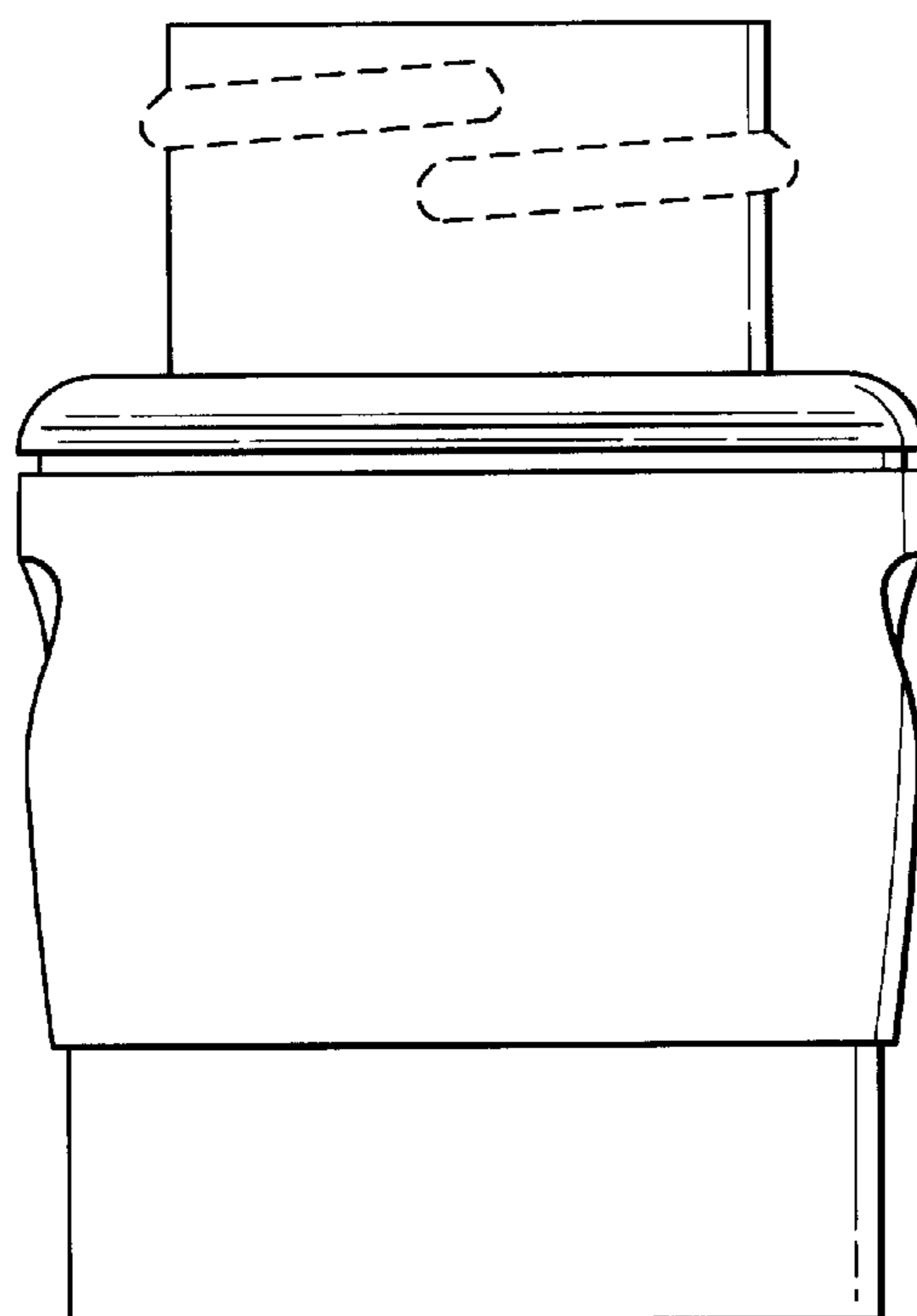


FIG. 15

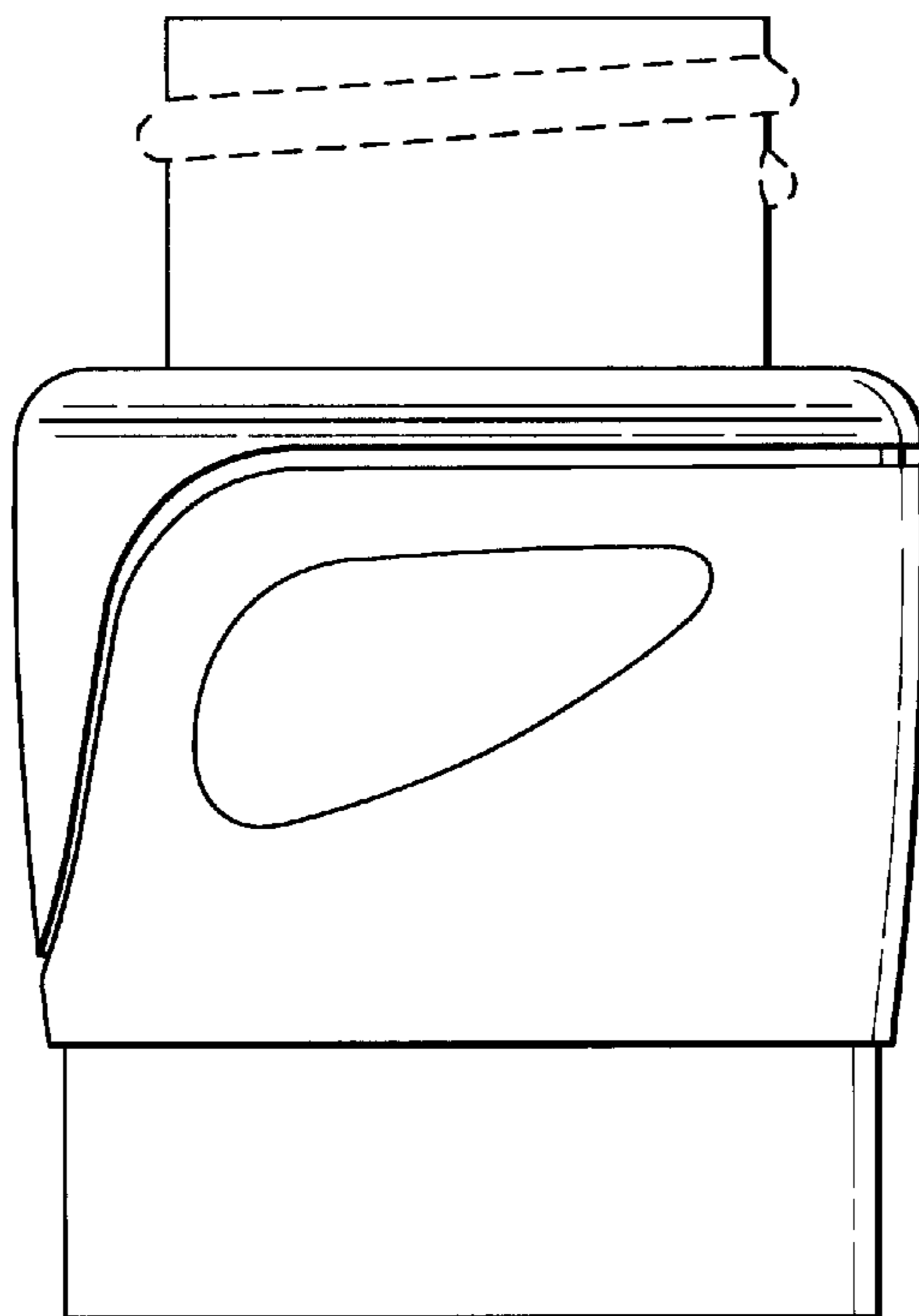


FIG. 16

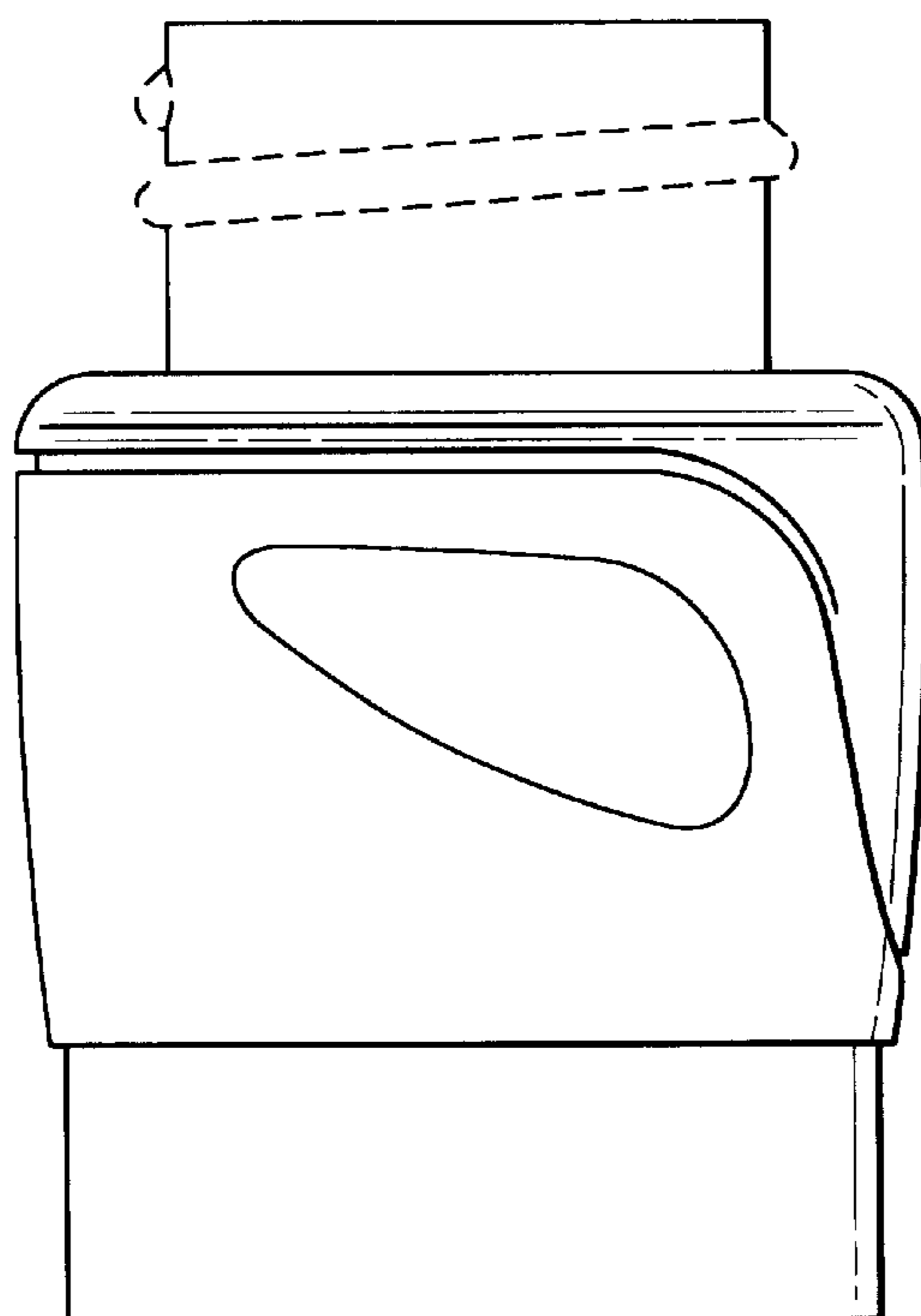


FIG. 17

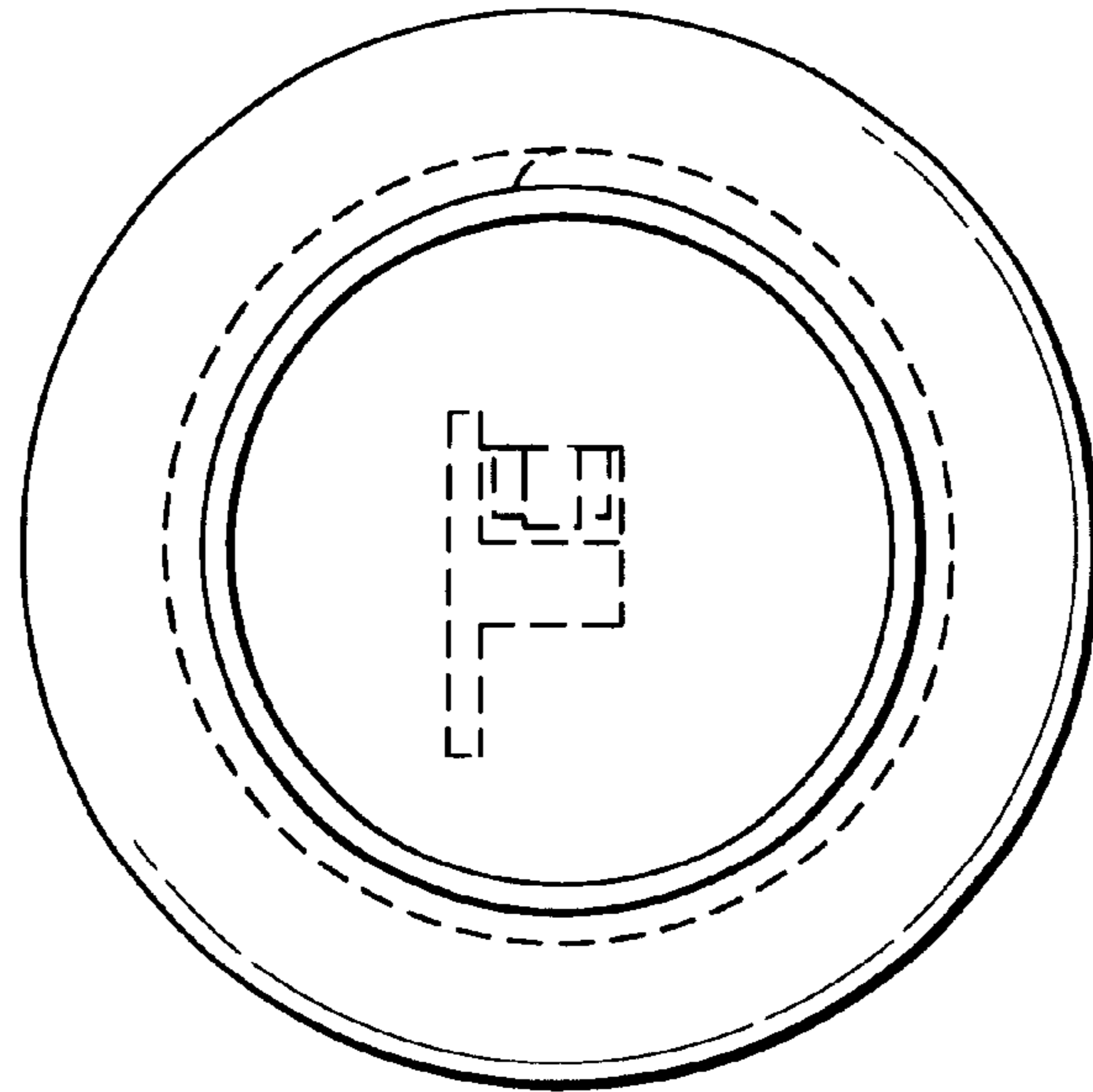


FIG. 18

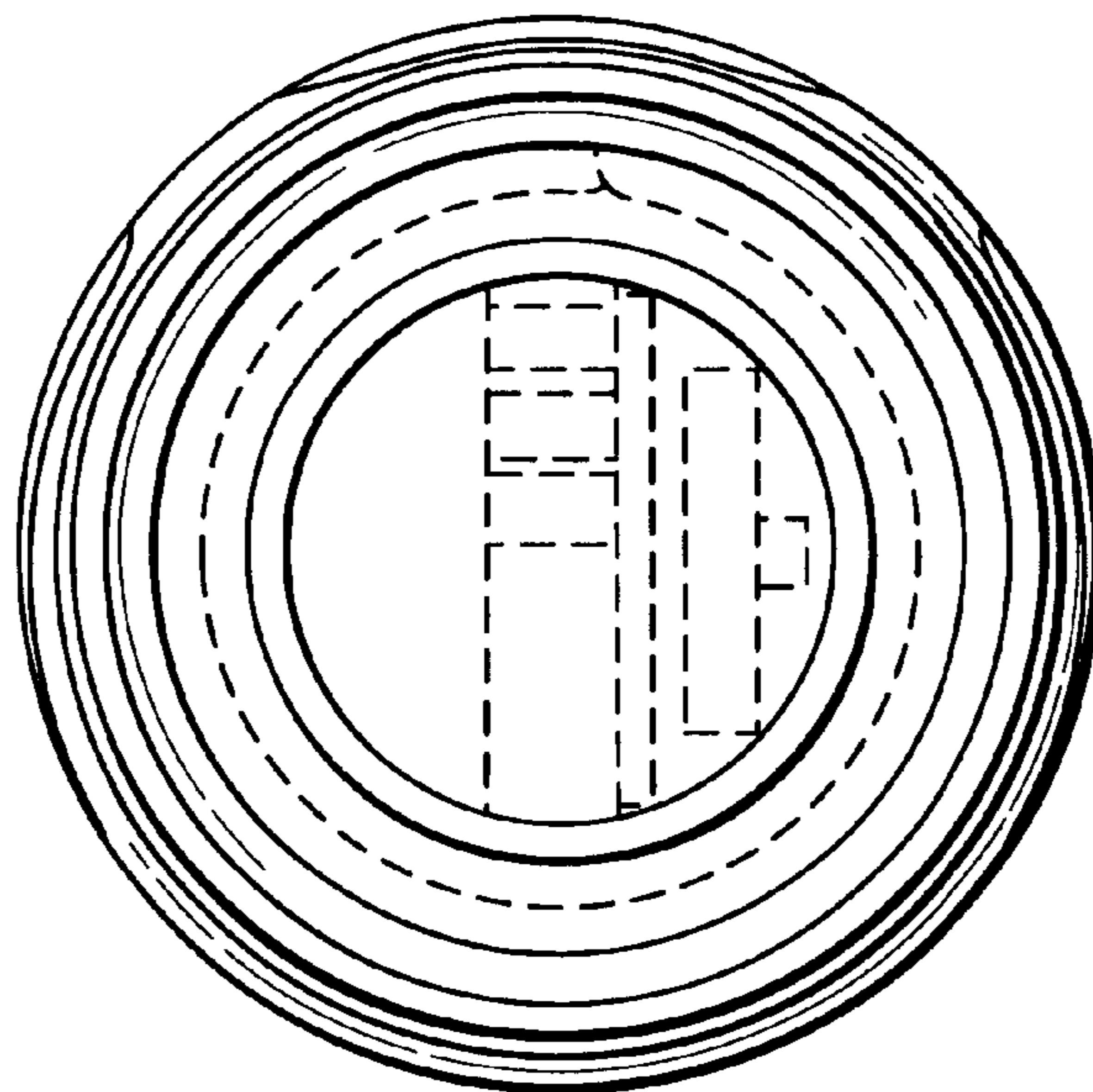


FIG. 19

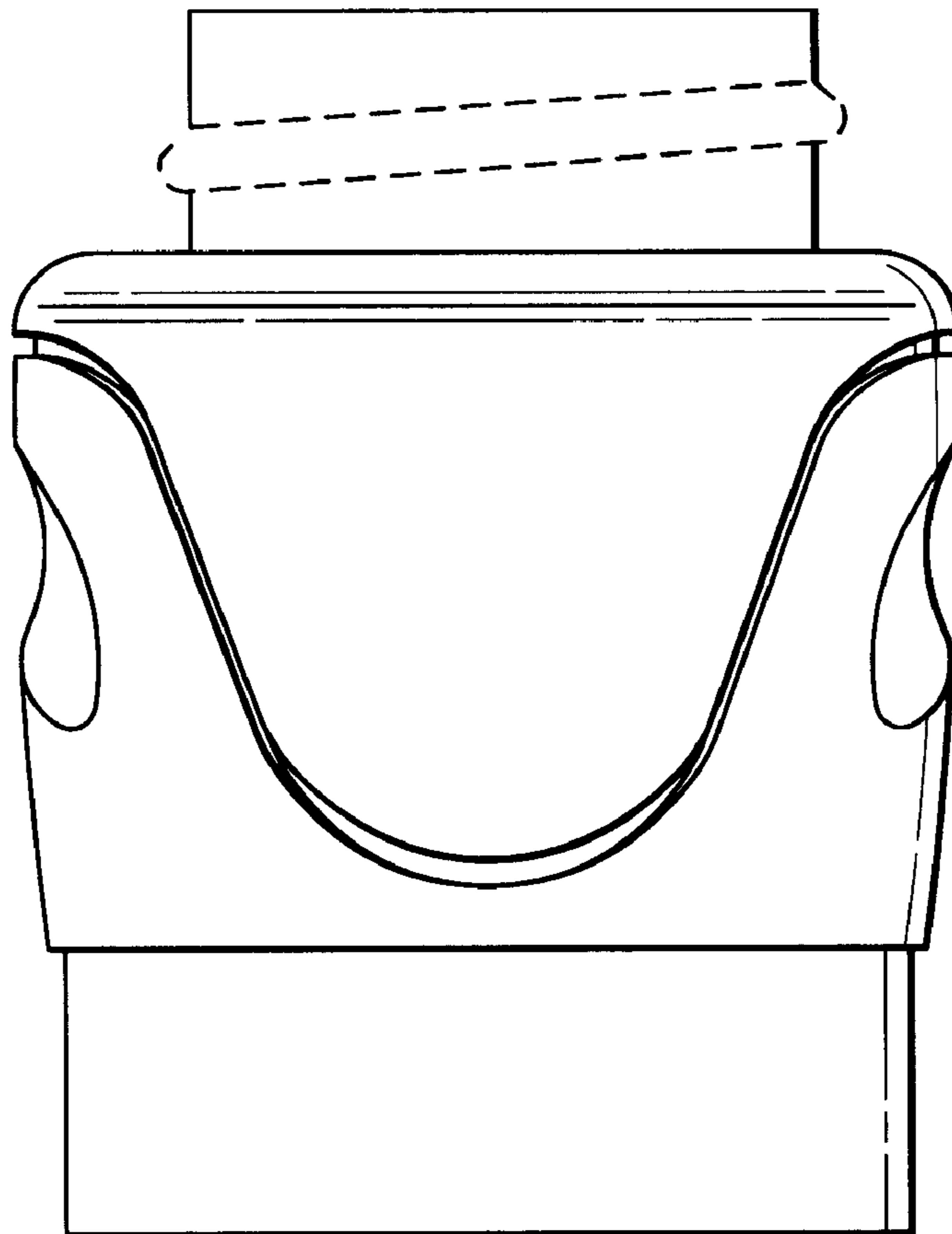


FIG. 20

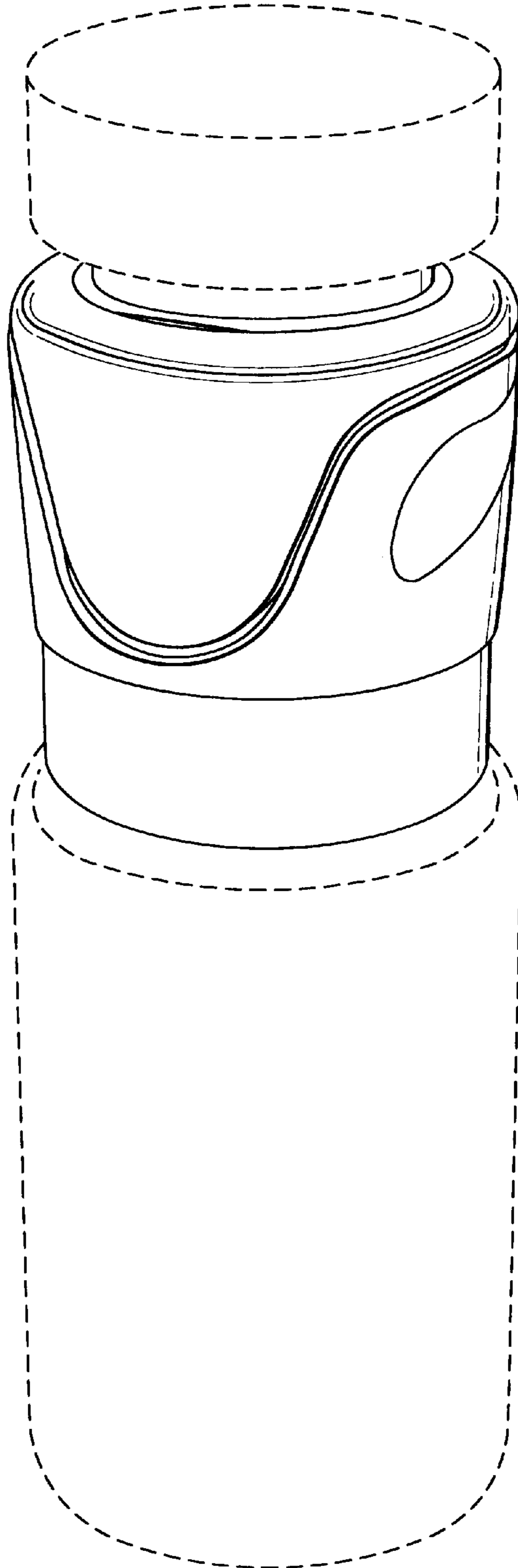


FIG. 21

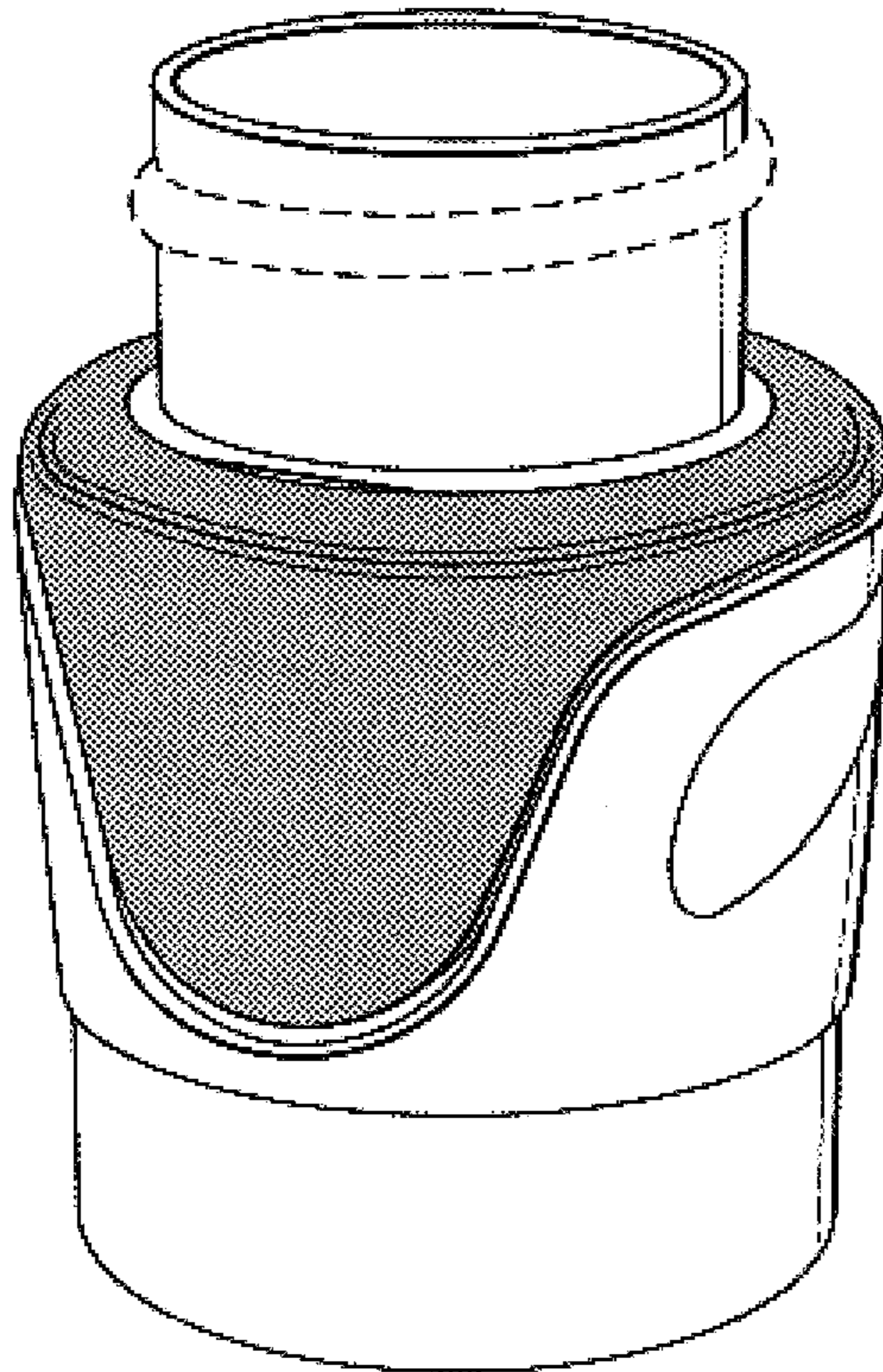


FIG. 22

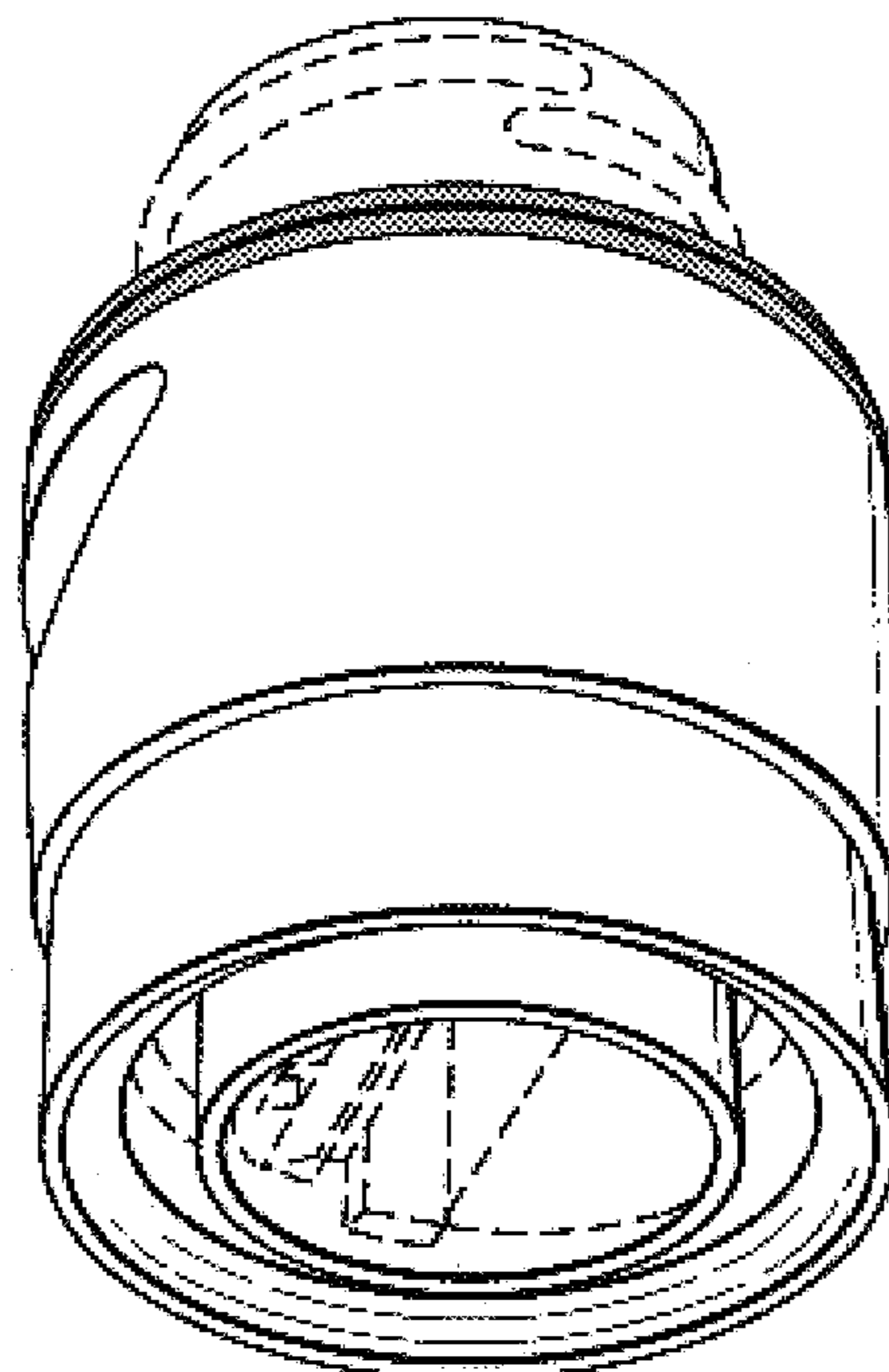


FIG. 23

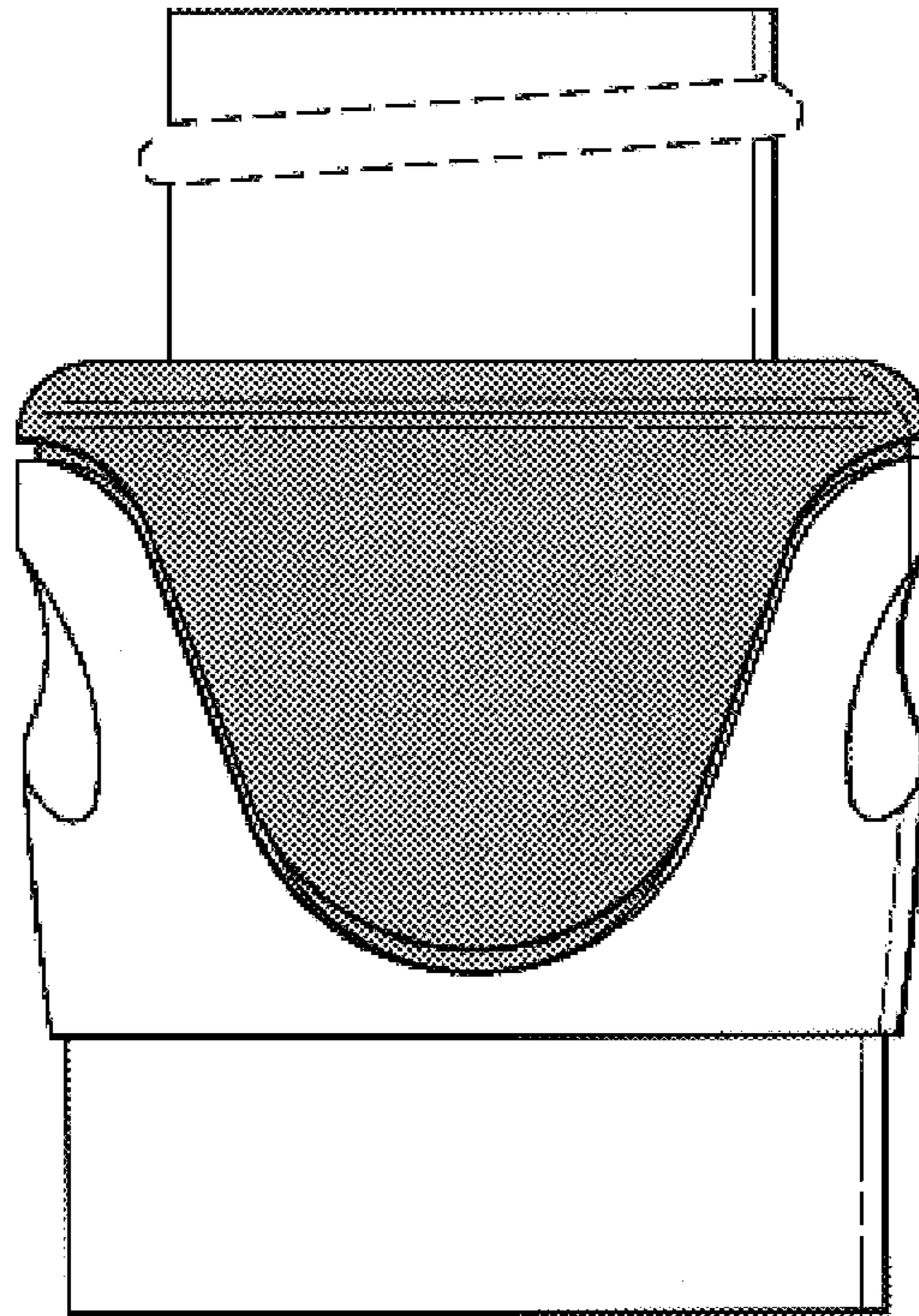


FIG. 24

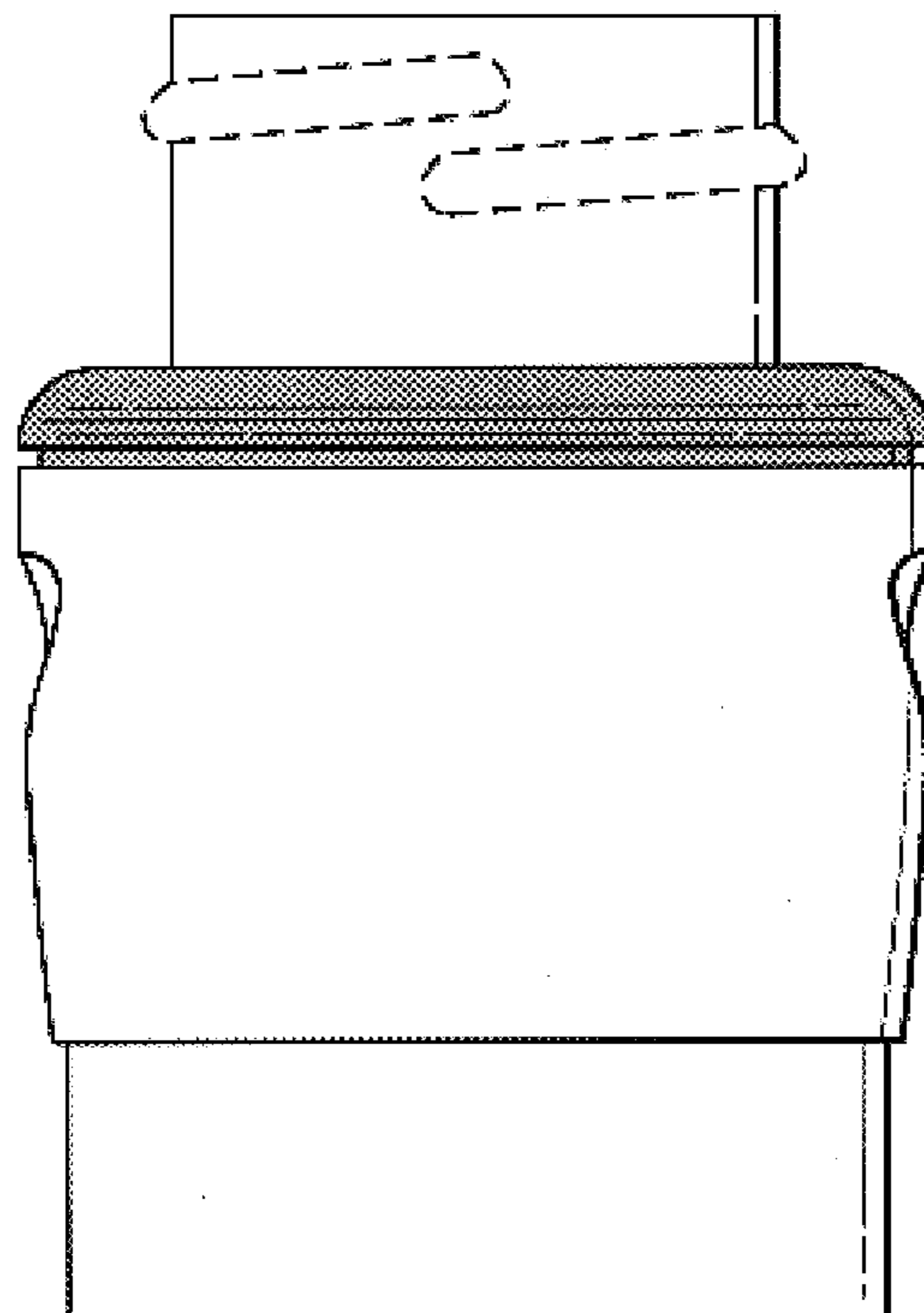


FIG. 25

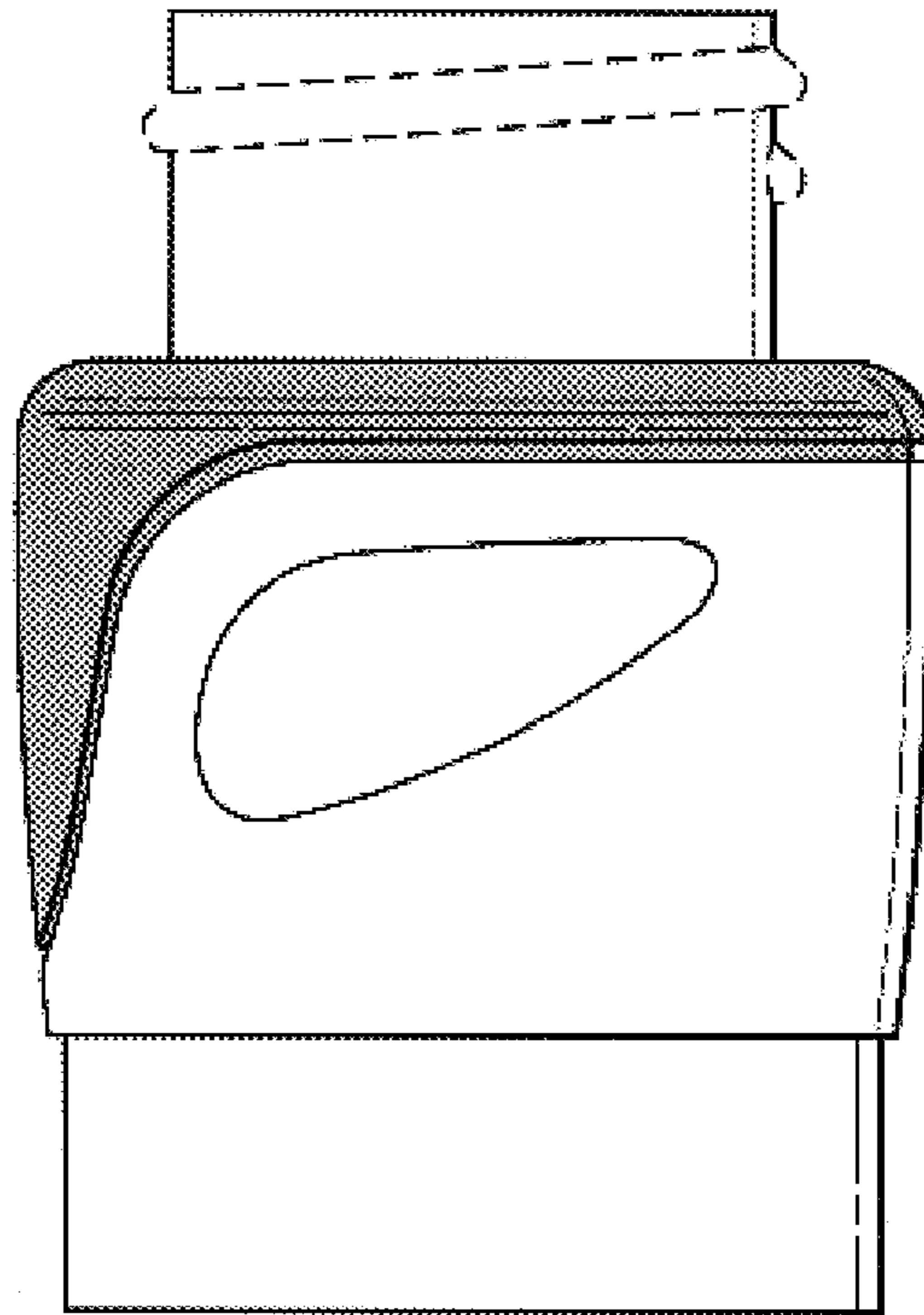


FIG. 26

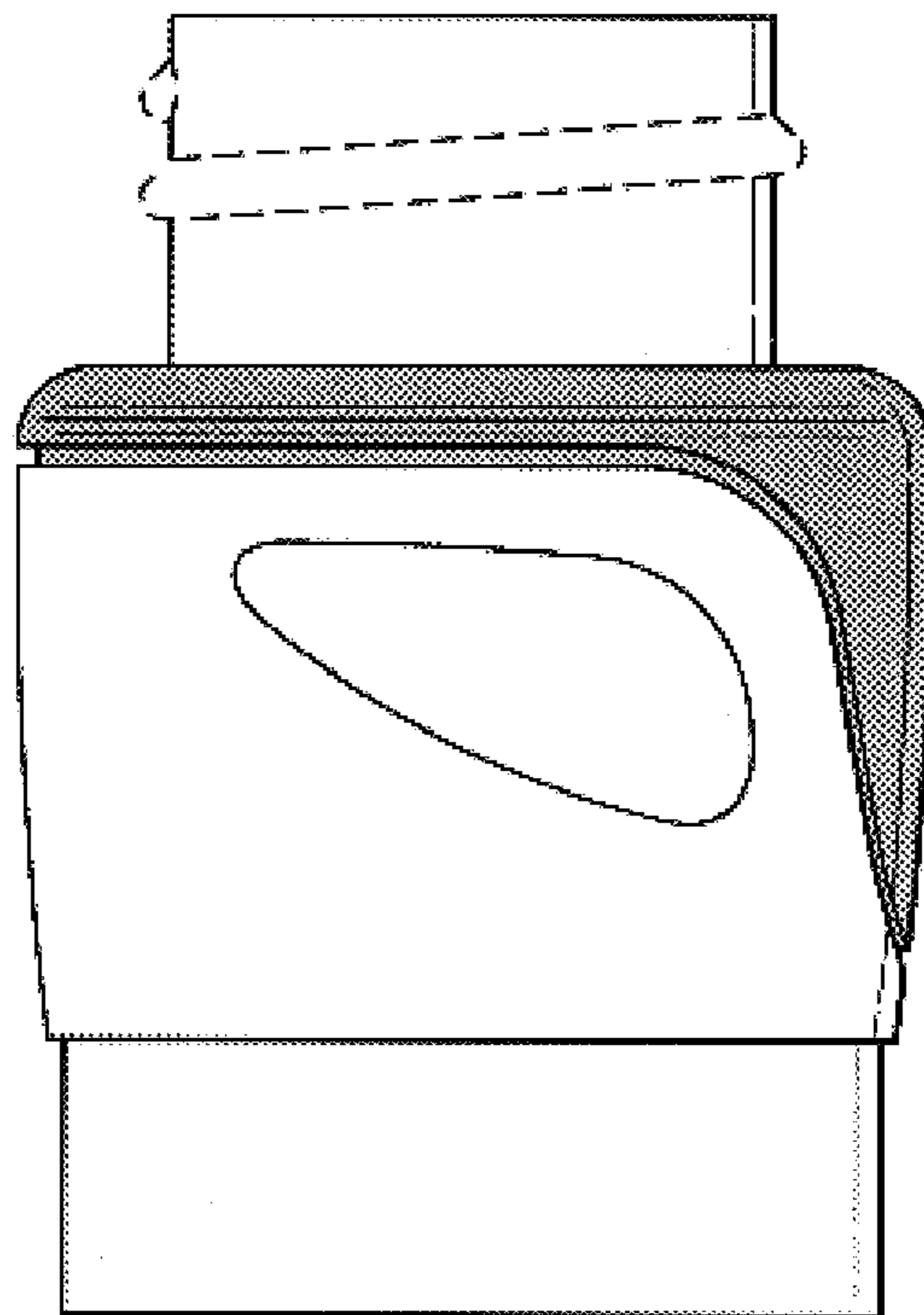


FIG. 27

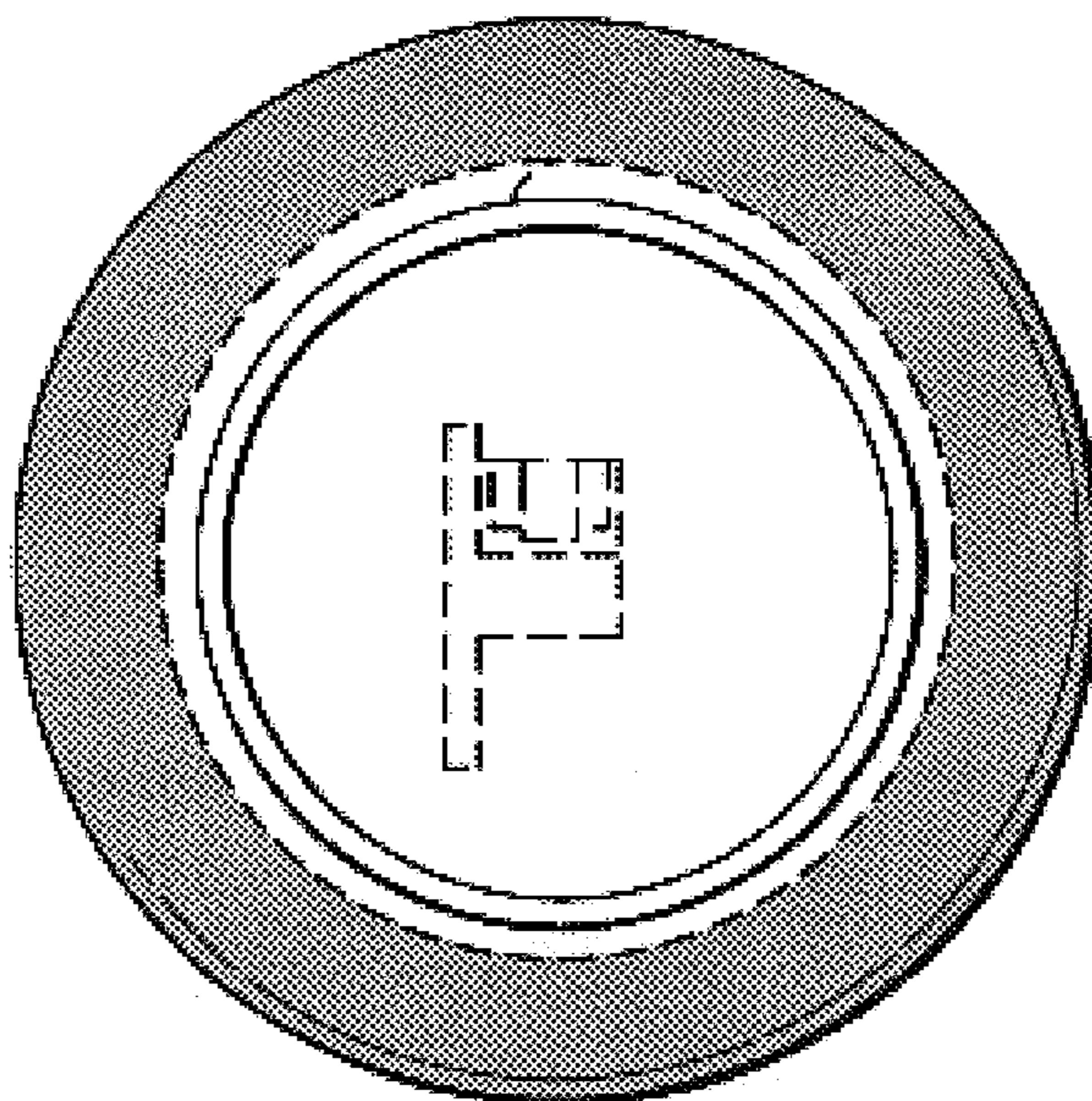


FIG. 28

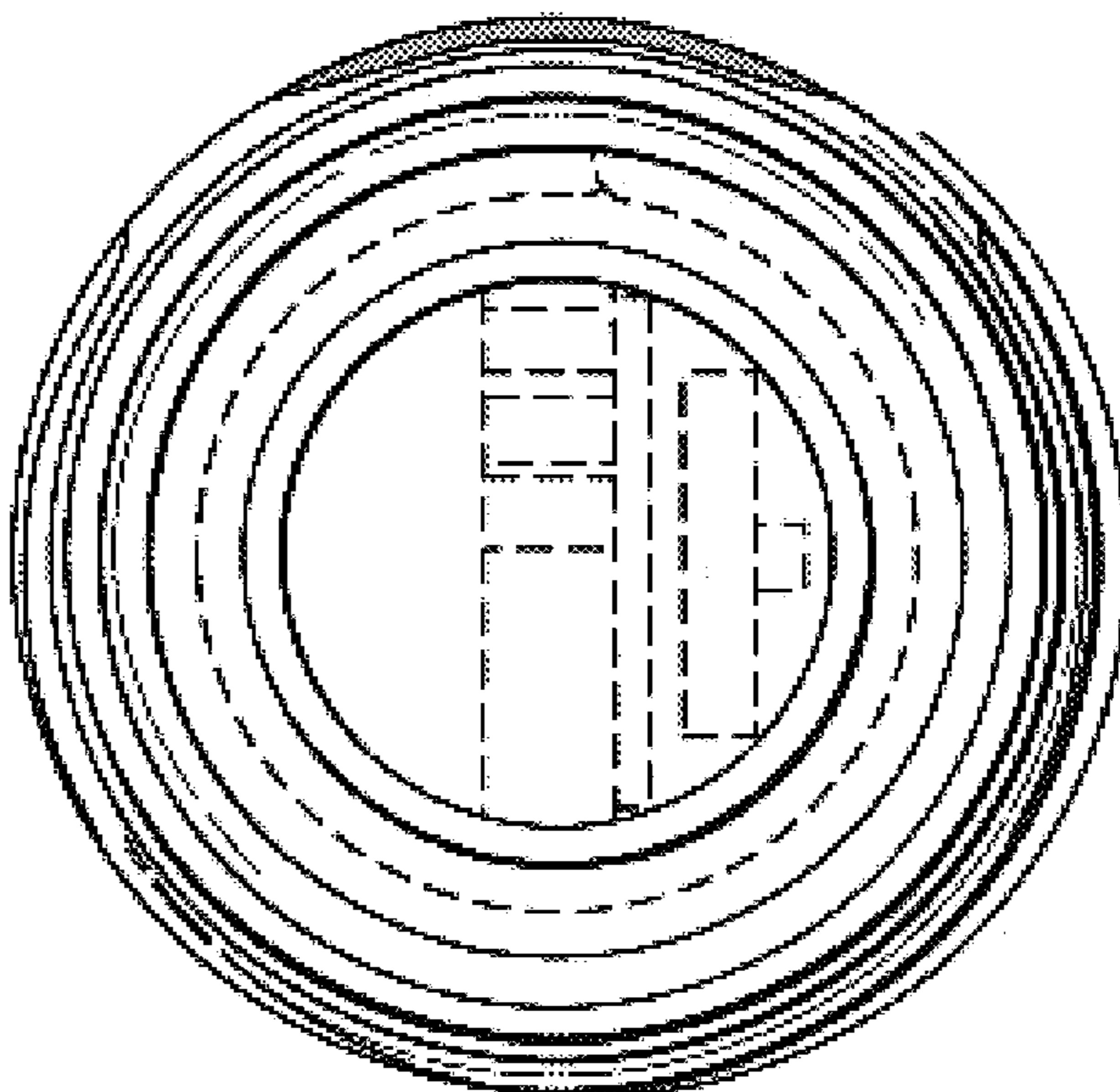


FIG. 29

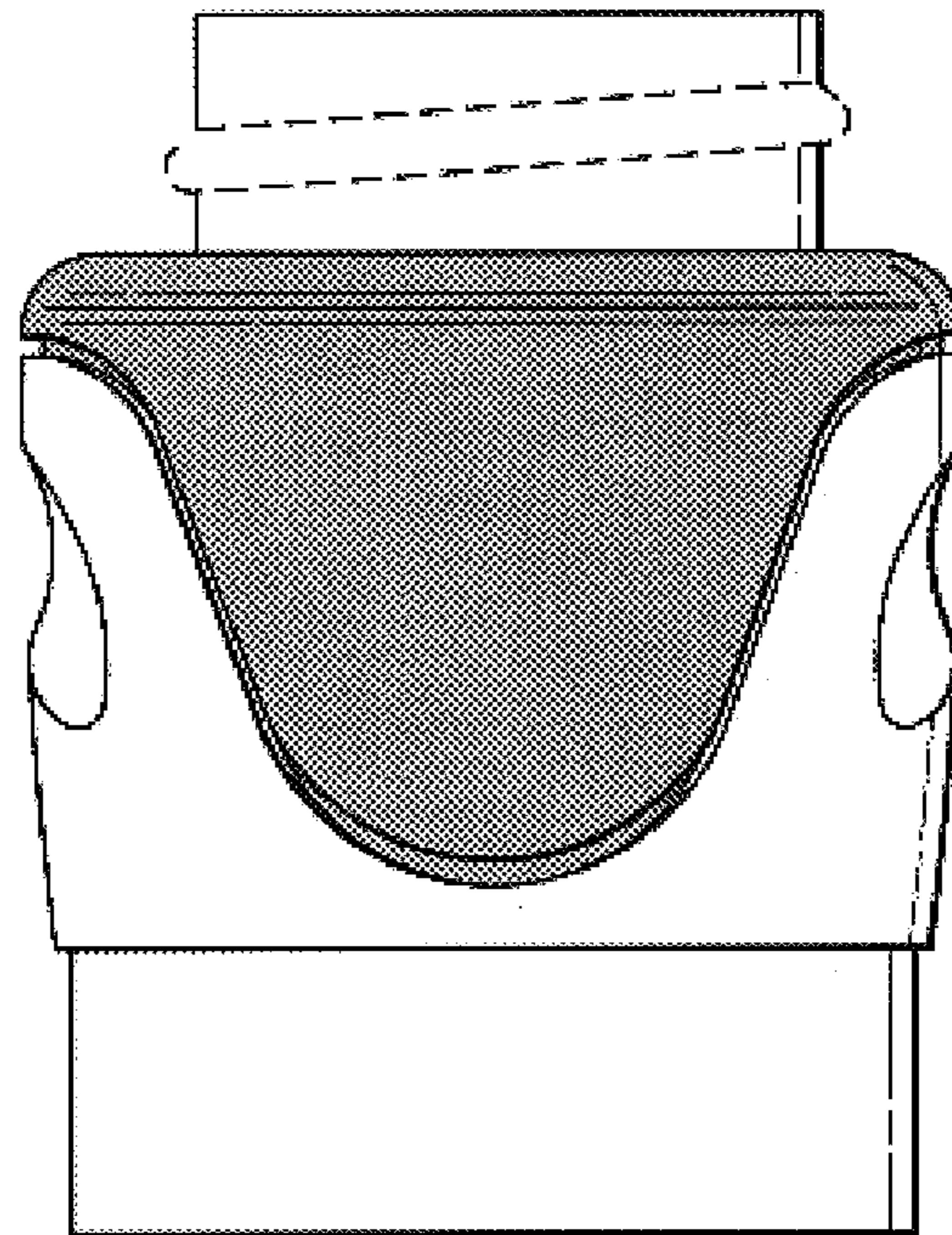


FIG. 30

