



US00D538648S

(12) **United States Design Patent**
Correll

(10) **Patent No.:** **US D538,648 S**

(45) **Date of Patent:** **** Mar. 20, 2007**

(54) **COVER PANEL OF A BOX BLANK**

(76) **Inventor:** **John D. Correll**, 8459 Holly Dr.,
Canton, MI (US) 48187-4237

(**) **Term:** **14 Years**

(21) **Appl. No.:** **29/239,709**

(22) **Filed:** **Oct. 3, 2005**

(51) **LOC (8) Cl.** **09-07**

(52) **U.S. Cl.** **D9/435**

(58) **Field of Classification Search** D9/753,
D9/632, 457, 456, 435, 434, 433, 423, 418;
D5/63; D3/308; D2/869; 221/63; 206/197,
206/188, 182, 173

See application file for complete search history.

(56) **References Cited**

U.S. PATENT DOCUMENTS

D250,093 S	*	10/1978	Schillinger	D9/433
D254,897 S	*	5/1980	Jonas	D9/433
D264,687 S	*	6/1982	Austin	D9/433
5,918,797 A		7/1999	Correll		

D427,526 S	*	7/2000	Correll	D9/433
D444,703 S	*	7/2001	Allasia	D9/423
D489,255 S	*	5/2004	Kratzert et al.	D9/433

* cited by examiner

Primary Examiner—Robert M. Spear
Assistant Examiner—Susan Bennett Hattan

(57) **CLAIM**

I claim the ornamental design for a cover panel of a box blank, as shown and described.

DESCRIPTION

FIG. 1 is a top perspective view of a cover panel of a box blank showing my new design, the broken line showing of the adjacent appended components is for illustrative purposes only and forms no part of the claimed design;

FIG. 2 is a top plan view of the cover panel; the bottom view being identical.

FIG. 3 is a front elevation view of the cover panel;

FIG. 4 is a right side elevation view of the cover panel;

FIG. 5 is a left side elevation view of the cover panel; and,

FIG. 6 is a rear elevation view of the cover panel.

1 Claim, 2 Drawing Sheets

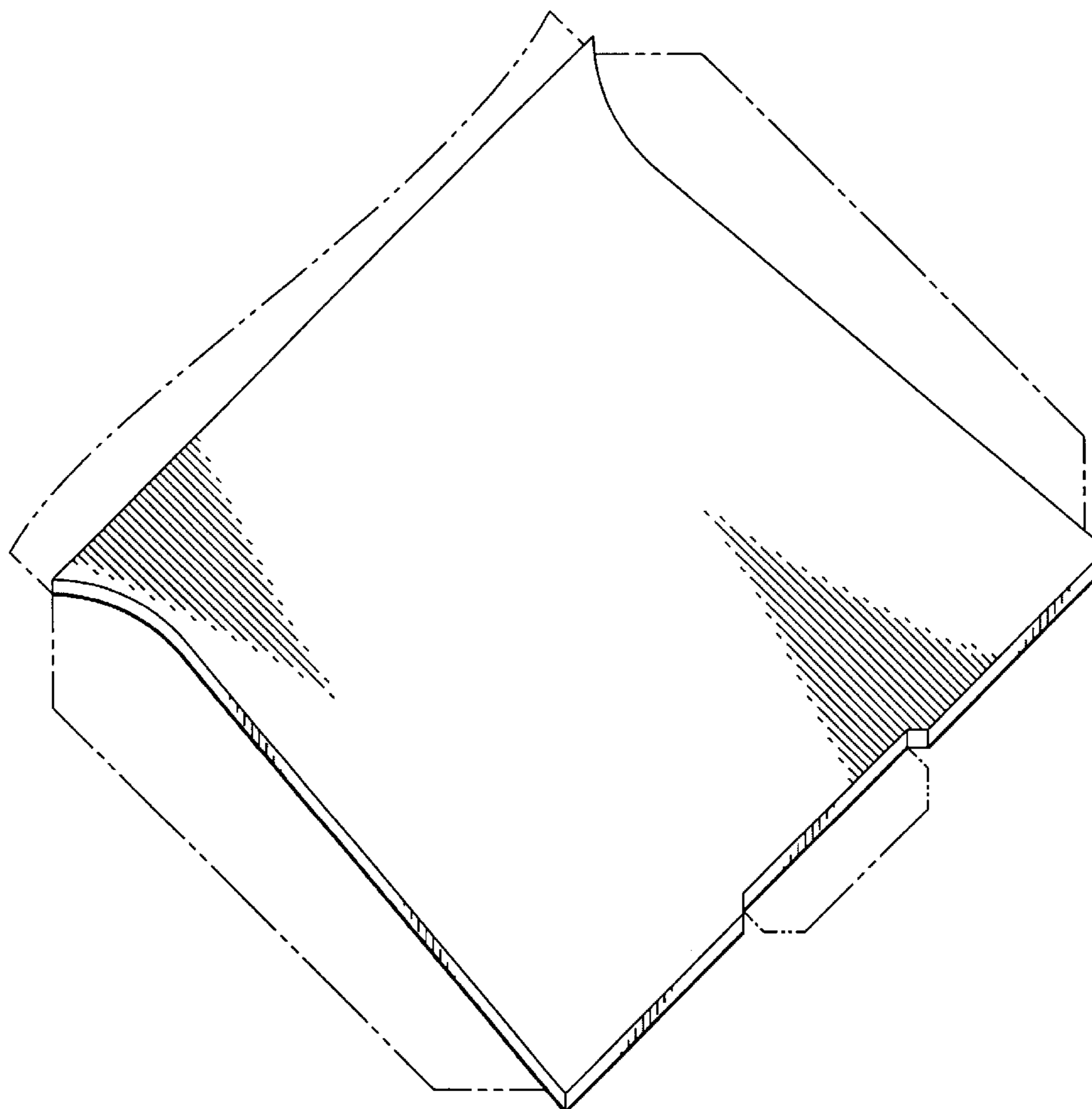


FIG. 1

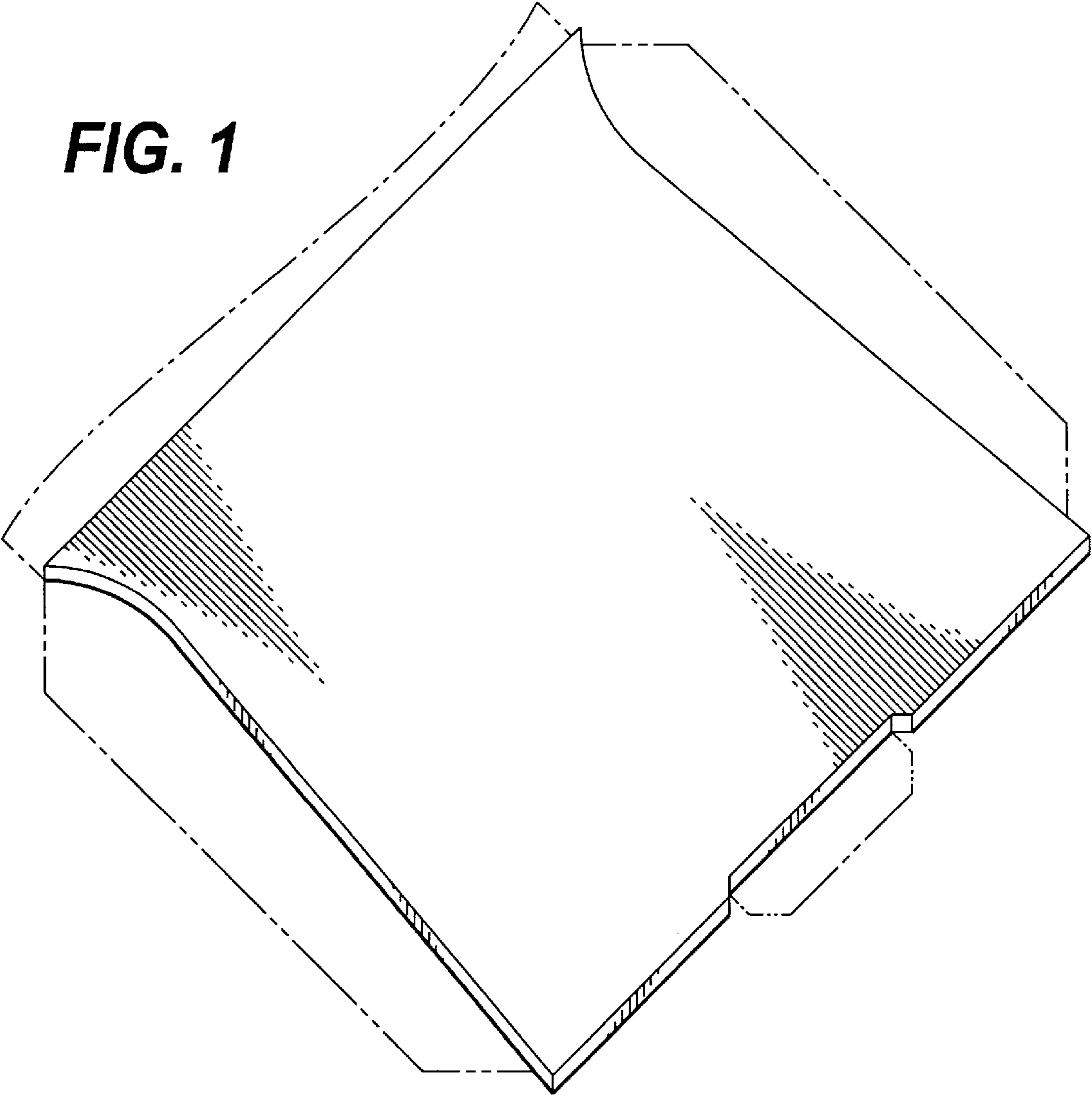


FIG. 2

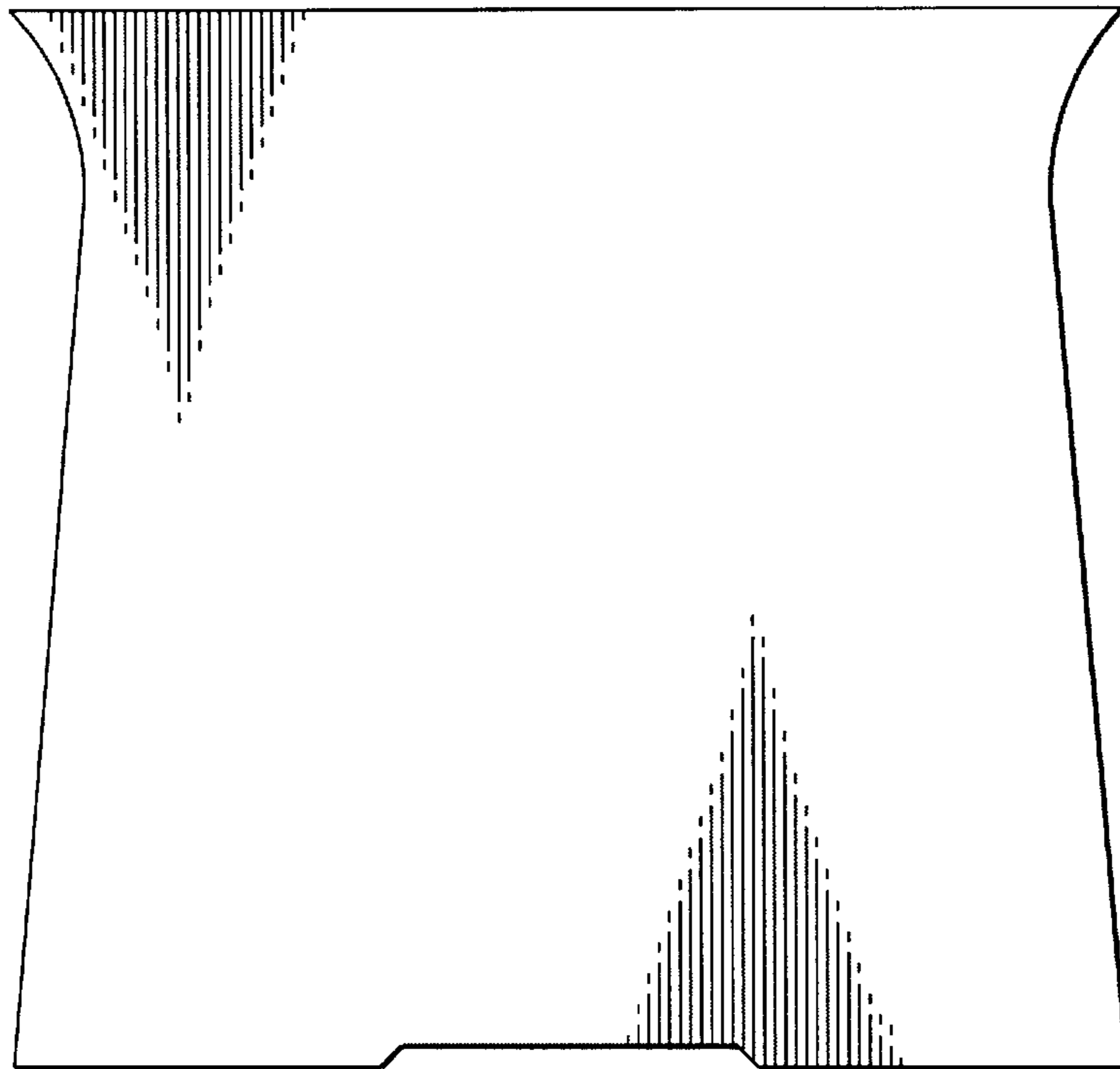


FIG. 3

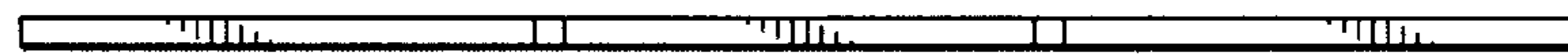


FIG. 4

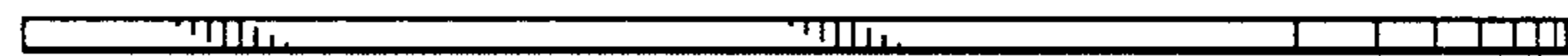


FIG. 5



FIG. 6

