



US00D538644S

(12) **United States Design Patent**  
**DeVine et al.**

(10) **Patent No.:** **US D538,644 S**  
(45) **Date of Patent:** **\*\* Mar. 20, 2007**

(54) **FOOD AND BEVERAGE CARRIER**

(75) Inventors: **Christopher Michael DeVine**, Chicago, IL (US); **Todd Peter Hauptmann**, Forest Park, IL (US); **Carrie Pienias**, Chicago, IL (US); **Nancy Quesada**, Calumet City, IL (US); **Julie Tolhurst**, Chicago, IL (US)

(73) Assignee: **Levy (IP) Limited Partnership**, Chicago, IL (US)

(\*\*) Term: **14 Years**

(21) Appl. No.: **29/252,490**

(22) Filed: **Jan. 24, 2006**

(51) **LOC (8) Cl.** ..... **09-03**

(52) **U.S. Cl.** ..... **D9/431**

(58) **Field of Classification Search** ..... D9/414, D9/415, 424, 430-433, 753, 761; D7/548, D7/543; 206/223, 557, 527, 822; 220/737, 220/771, 907, 915.1; 294/137, 172; 229/75, 229/108, 102.5, 112, 113, 117.01, 117.09, 229/117.12, 117.23, 400, 402, 404, 904, 931  
See application file for complete search history.

(56) **References Cited**

**U.S. PATENT DOCUMENTS**

1,726,740 A *	9/1929	Joffe	383/9
1,968,660 A *	7/1934	Towell	229/102.5
2,054,473 A *	9/1936	Towell	229/102.5
2,078,038 A *	4/1937	Stephens	229/102.5
2,179,081 A *	11/1939	Bench, Jr.	131/240.1
2,796,067 A *	6/1957	McCutcheon et al.	131/256
D216,637 S *	2/1970	Hermalin	D9/415
D216,843 S *	3/1970	Lew	D19/82
3,968,921 A	7/1976	Jewell	
D245,579 S	8/1977	Jewell	
4,061,241 A	12/1977	Retelny	
D250,172 S	11/1978	Retelny	
4,132,344 A	1/1979	Jewell	
D251,657 S	4/1979	Jewell	

4,512,512 A	4/1985	Fleming	
4,550,873 A	11/1985	Fleming	
4,653,685 A	3/1987	Leary et al.	
D292,483 S	10/1987	Commisso et al.	
D292,878 S	11/1987	Commisso et al.	
4,711,389 A	12/1987	Alba et al.	
D305,304 S *	1/1990	McCaleb	D9/418
D317,070 S	5/1991	Ott et al.	
D317,102 S	5/1991	Clark et al.	
5,012,971 A	5/1991	Cozzi et al.	
5,052,615 A	10/1991	Ott et al.	
5,060,851 A	10/1991	Lorenz	
5,174,965 A *	12/1992	Jones et al.	422/102
5,301,870 A *	4/1994	Smith et al.	229/402
5,460,324 A *	10/1995	Vinther	229/405
5,497,885 A	3/1996	Sussman	
5,524,814 A	6/1996	Davis	
5,605,279 A	2/1997	Adamek	

(Continued)

*Primary Examiner*—Stella Reid  
*Assistant Examiner*—Mark Goodwin  
(74) *Attorney, Agent, or Firm*—Ryndak & Suri LLP

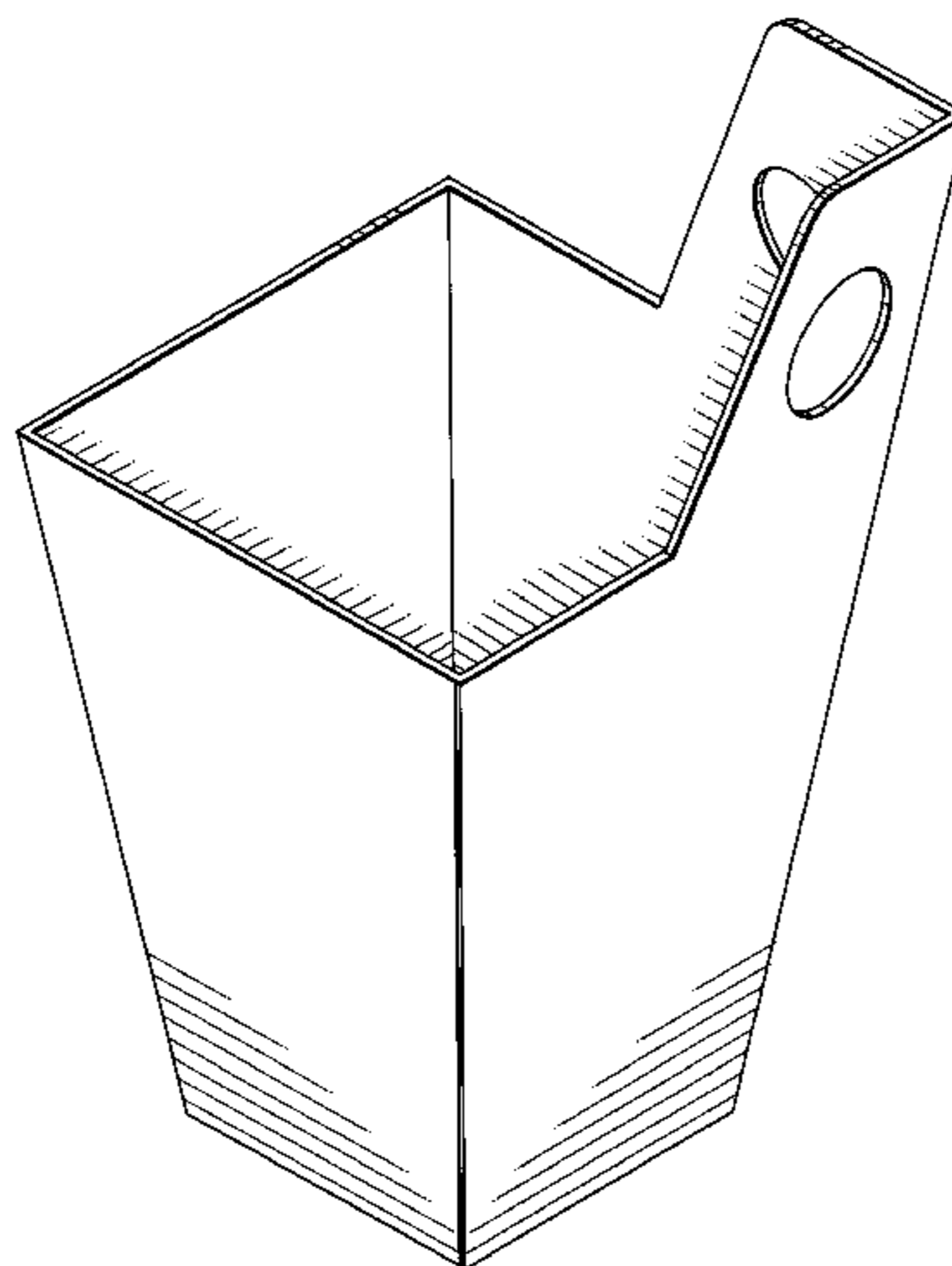
(57) **CLAIM**

The ornamental design for a food and beverage carrier, as shown.

**DESCRIPTION**

FIG. 1 is a perspective view of a food and beverage carrier showing the new design;  
FIG. 2 is a front elevation view of the carrier depicted in FIG. 1;  
FIG. 3 is a side elevation view of the carrier;  
FIG. 4 is a rear elevation view of the carrier depicted in FIG. 1;  
FIG. 5 is an opposite side elevation view of the carrier depicted in FIG. 1;  
FIG. 6 is a top plan view of the carrier depicted in FIG. 1; and,  
FIG. 7 is a bottom plan view of the carrier depicted in FIG. 1.

**1 Claim, 6 Drawing Sheets**



# US D538,644 S

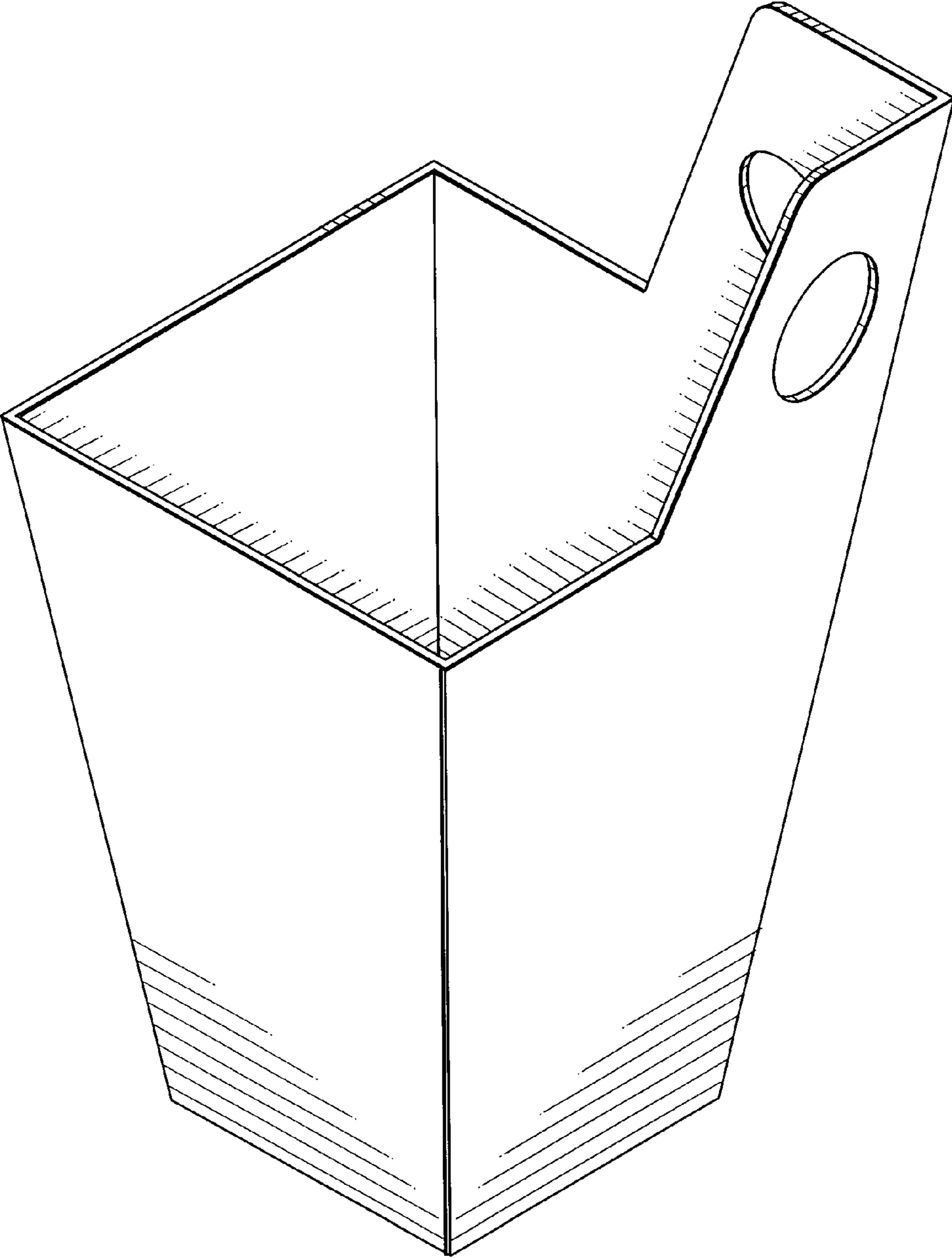
Page 2

---

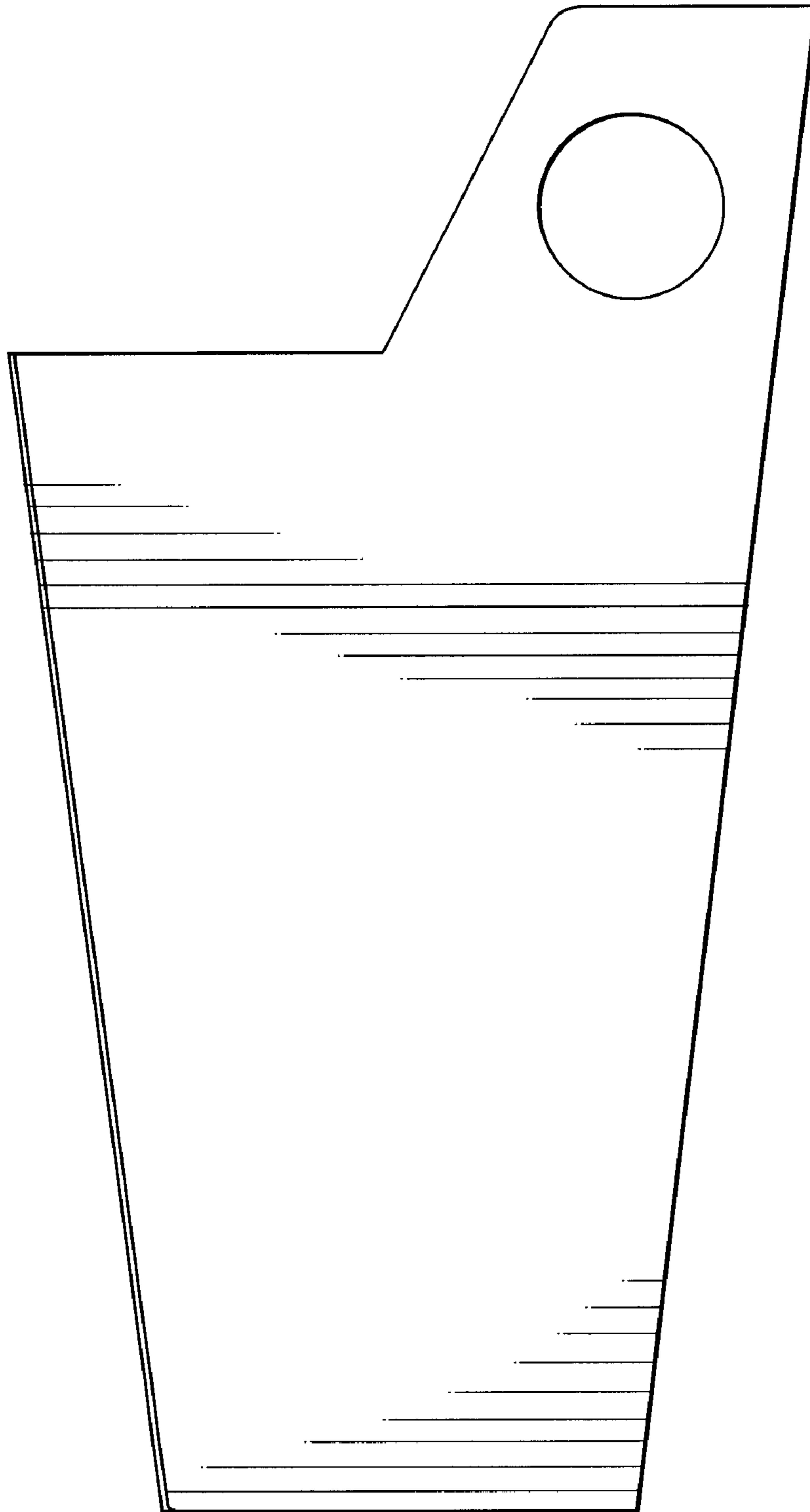
U.S. PATENT DOCUMENTS							
			2002/0056743	A1	*	5/2002	Barcat et al. .... 229/120.01
			2002/0145295	A1		10/2002	Frank et al.
D401,142	S	11/1998	Adamek				
5,842,634	A	* 12/1998	Kieler .....				229/405
6,183,027	B1	2/2001	Tsao				
6,360,944	B1	* 3/2002	Gorman .....				229/400
D456,710	S	* 5/2002	Persson .....				D9/431
6,390,299	B1	5/2002	Mellon et al.				
D461,713	S	8/2002	Foreman				
D462,904	S	9/2002	Mellon et al.				
D481,944	S	* 11/2003	Kotto .....				D9/431
6,702,179	B2	3/2004	Chang				
D491,061	S	* 6/2004	Bouroullec et al. ....				D9/431
D508,378	S	8/2005	Bertulis				
6,932,214	B1	8/2005	Zimet				
			2003/0102363	A1		6/2003	Chang
			2003/0106828	A1		6/2003	Hunter
			2004/0040882	A1		3/2004	Hemingway et al.
			2004/0118707	A1		6/2004	Sutton-Rainey et al.
			2004/0159577	A1		8/2004	Hunter
			2004/0226989	A1		11/2004	Cook et al.
			2004/0238403	A1		12/2004	Wright et al.
			2005/0035009	A1		2/2005	Cuomo
			2005/0092623	A1		5/2005	Cuomo
			2005/0109639	A1		5/2005	Cuomo
			2005/0167475	A1		8/2005	Graham

\* cited by examiner

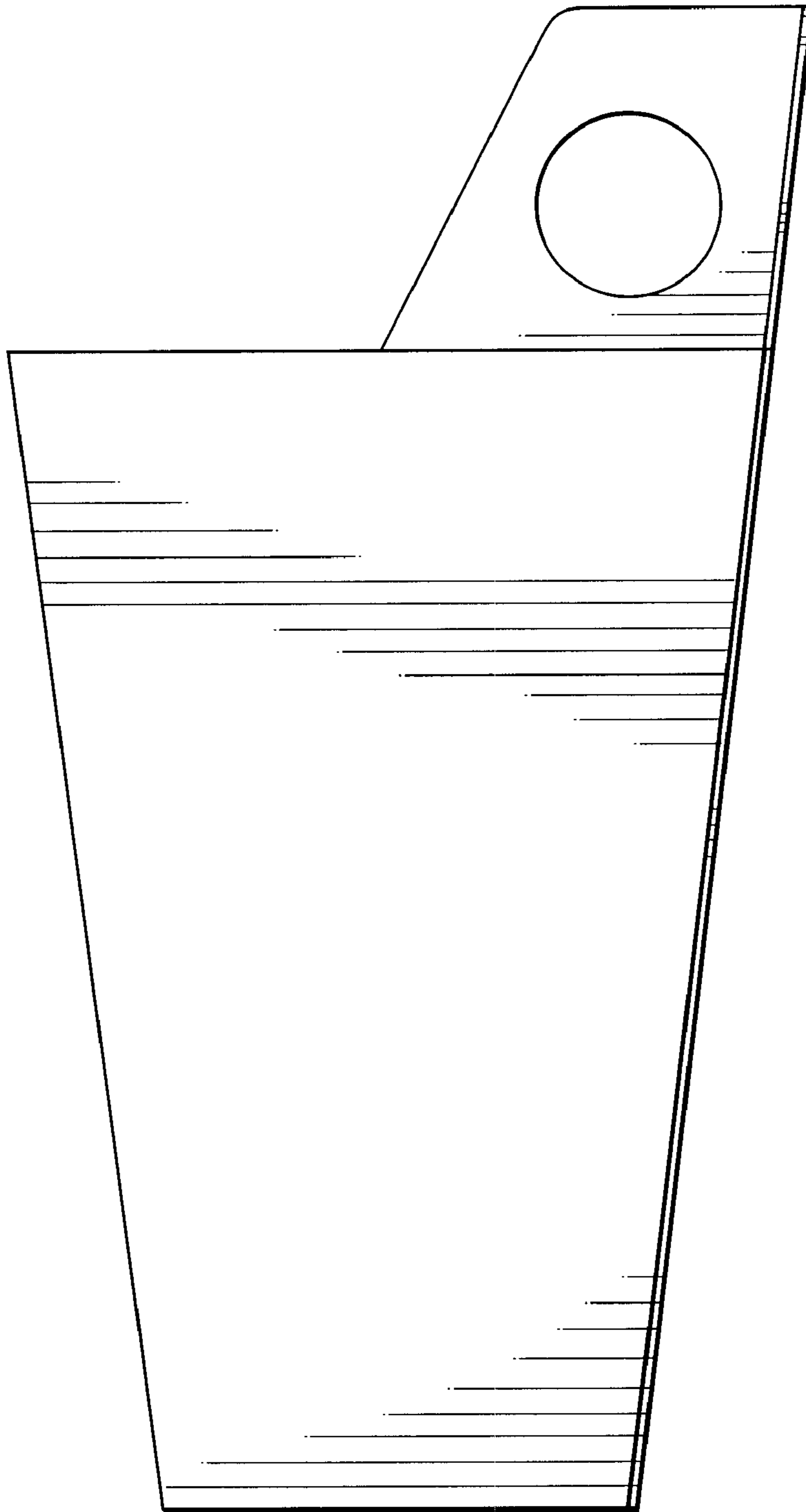
**Fig. 1**



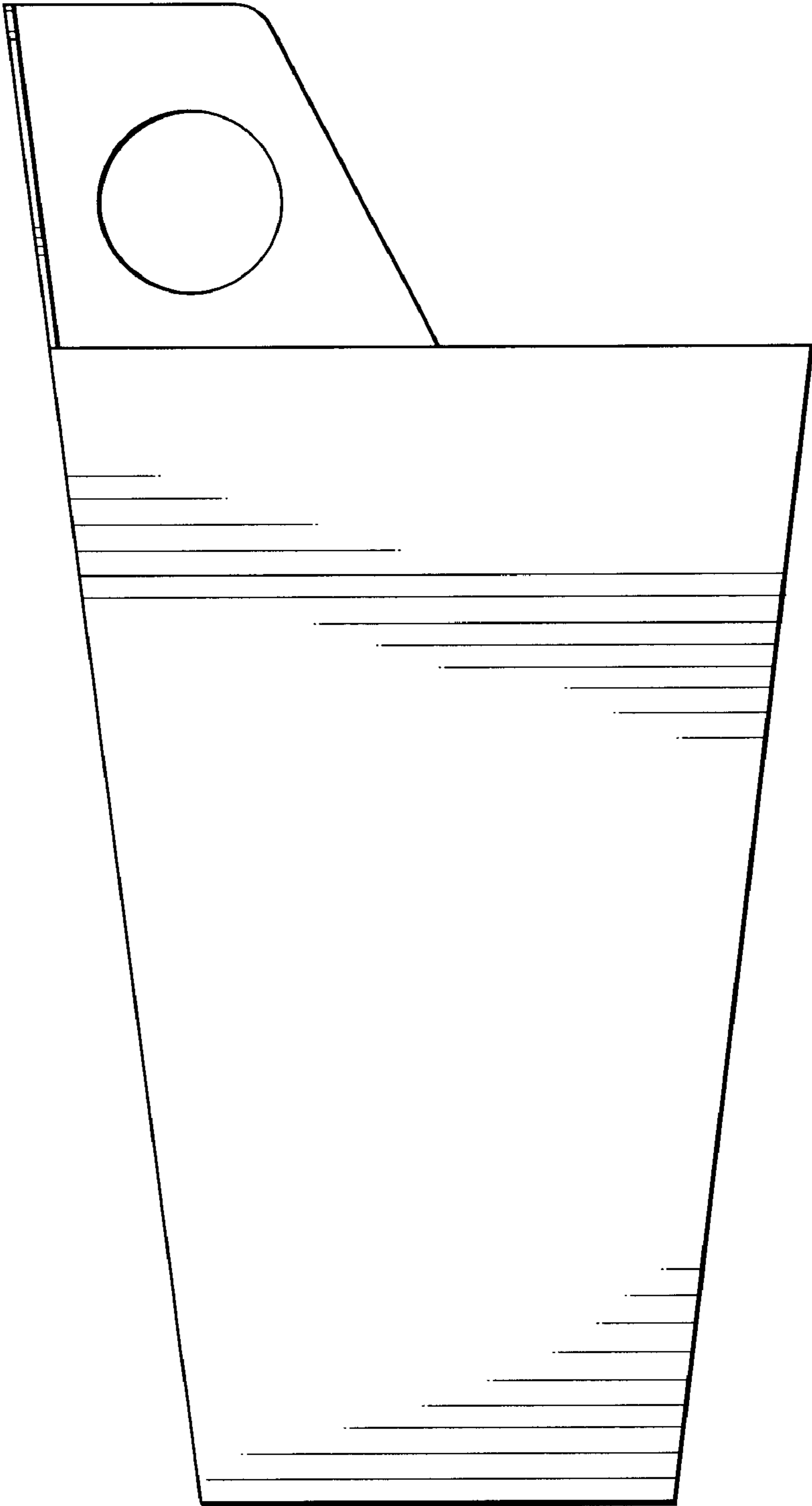
**Fig. 2**



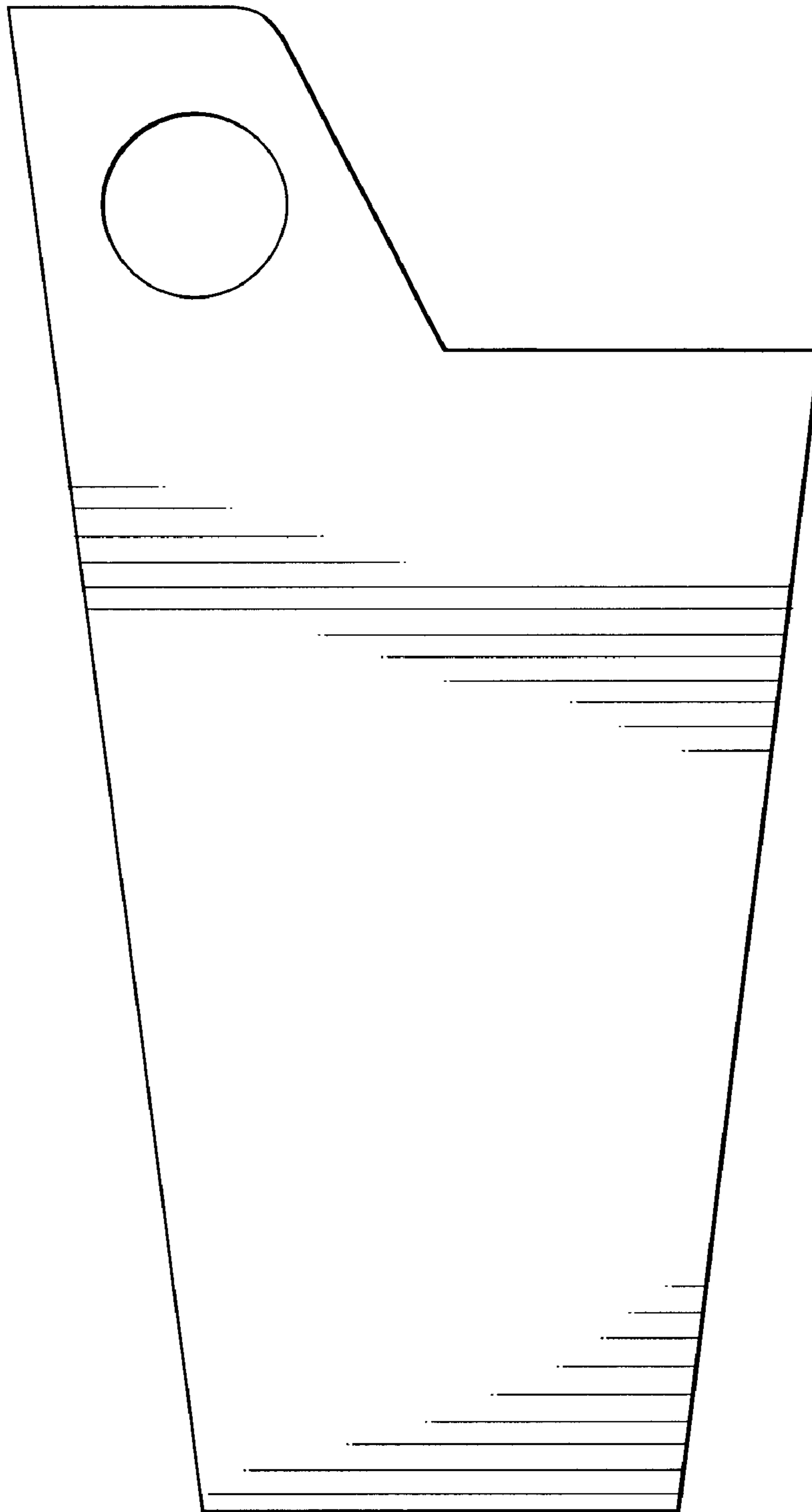
**Fig. 3**



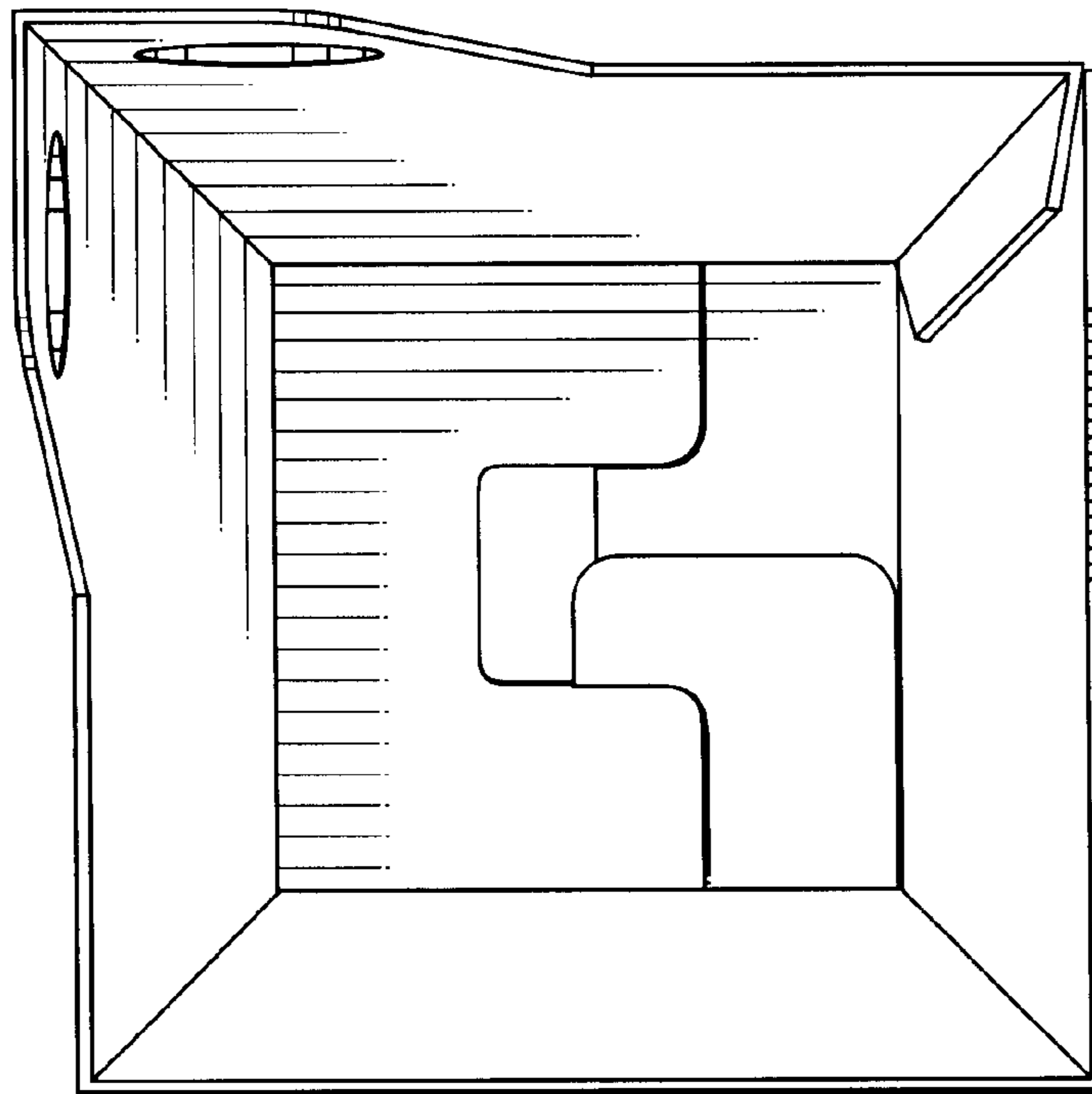
**Fig. 4**



***Fig. 5***



**Fig. 6**



**Fig. 7**

