



US00D538639S

(12) **United States Design Patent**
Dunshee

(10) **Patent No.:** **US D538,639 S**

(45) **Date of Patent:** **** Mar. 20, 2007**

(54) **PROTECTIVE PACKAGE**

(75) Inventor: **Wayne K. Dunshee**, Maplewood, MN (US)

(73) Assignee: **3M Innovative Properties Company**, St. Paul, MN (US)

(**) Term: **14 Years**

(21) Appl. No.: **29/234,267**

(22) Filed: **Jul. 15, 2005**

(51) **LOC (8) Cl.** **09-03**

(52) **U.S. Cl.** **D9/425; D9/420**

(58) **Field of Classification Search** D9/425,
D9/414, 416, 420, 424, 432; D3/202; D7/553.2,
D7/629; 206/822; 220/500, 675

See application file for complete search history.

(56) **References Cited**

U.S. PATENT DOCUMENTS

D86,061 S	*	1/1932	Shepard	D9/751
D230,569 S	*	3/1974	Fallowfield	D9/423
D256,097 S	*	7/1980	Amberg	D9/423
D278,412 S	*	4/1985	Yeung	D9/420
D479,127 S	*	9/2003	Jowett	D9/425

* cited by examiner

Primary Examiner—Prabhakar Deshmukh
Assistant Examiner—Derrick Holland

(57) **CLAIM**

The ornamental design for a protective package, as shown and described.

DESCRIPTION

FIG. 1 is an isometric view of a protective package showing our new design;

FIG. 2 is a top plan view thereof, in open condition;

FIG. 3 is a bottom plan view thereof, in open condition;

FIG. 4 is a first end elevational view thereof, in open condition;

FIG. 5 is a second end elevational view thereof, in open condition;

FIG. 6 is a side elevational view thereof, in closed condition;

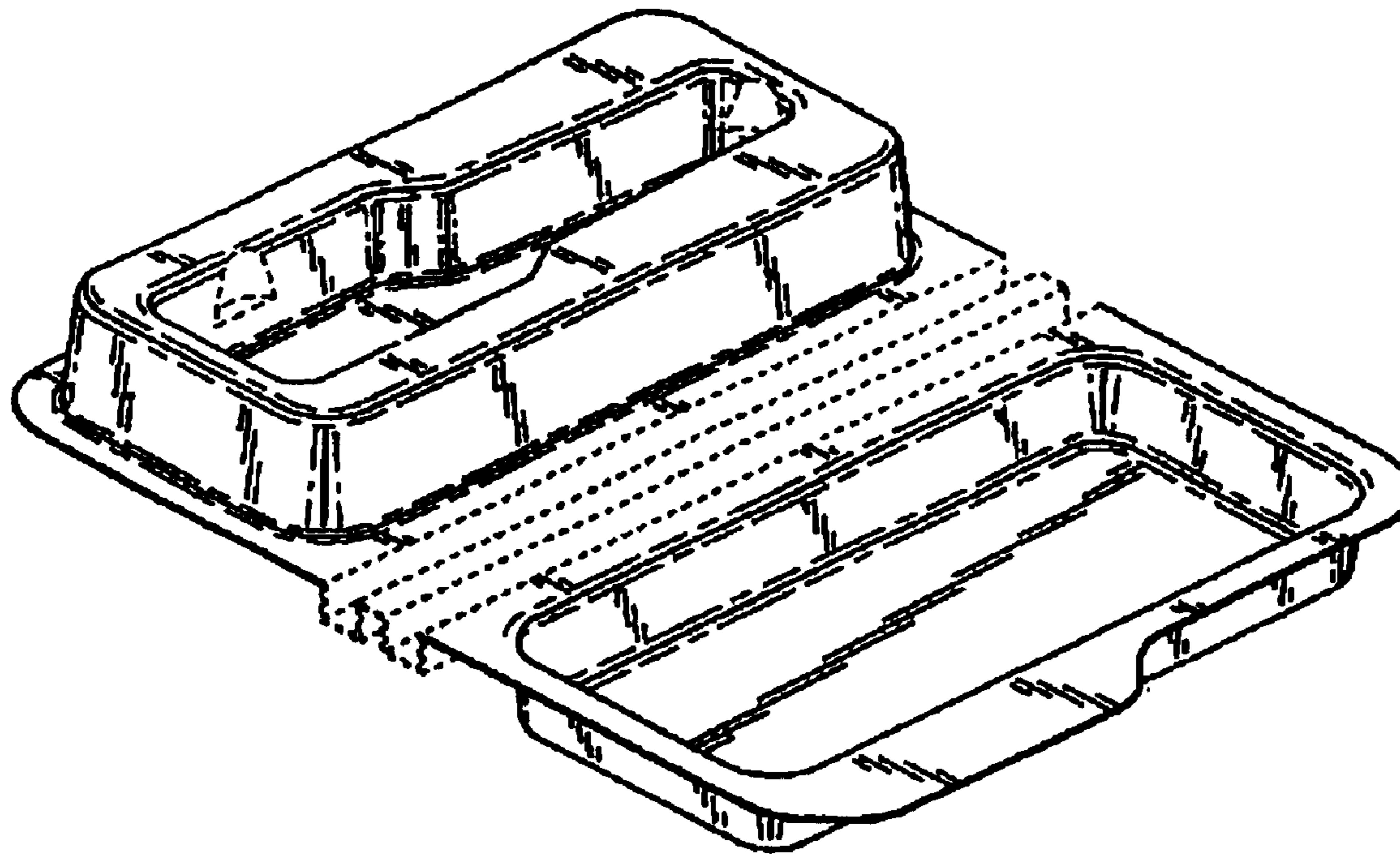
FIG. 7 is a side elevational view thereof, in closed condition; and,

FIG. 8 is an isometric view thereof, in closed condition.

The broken lines showing are for illustrative purposes and form no part of the claimed design.

The broken lines which define the bounds of the claimed design form no part thereof.

1 Claim, 3 Drawing Sheets



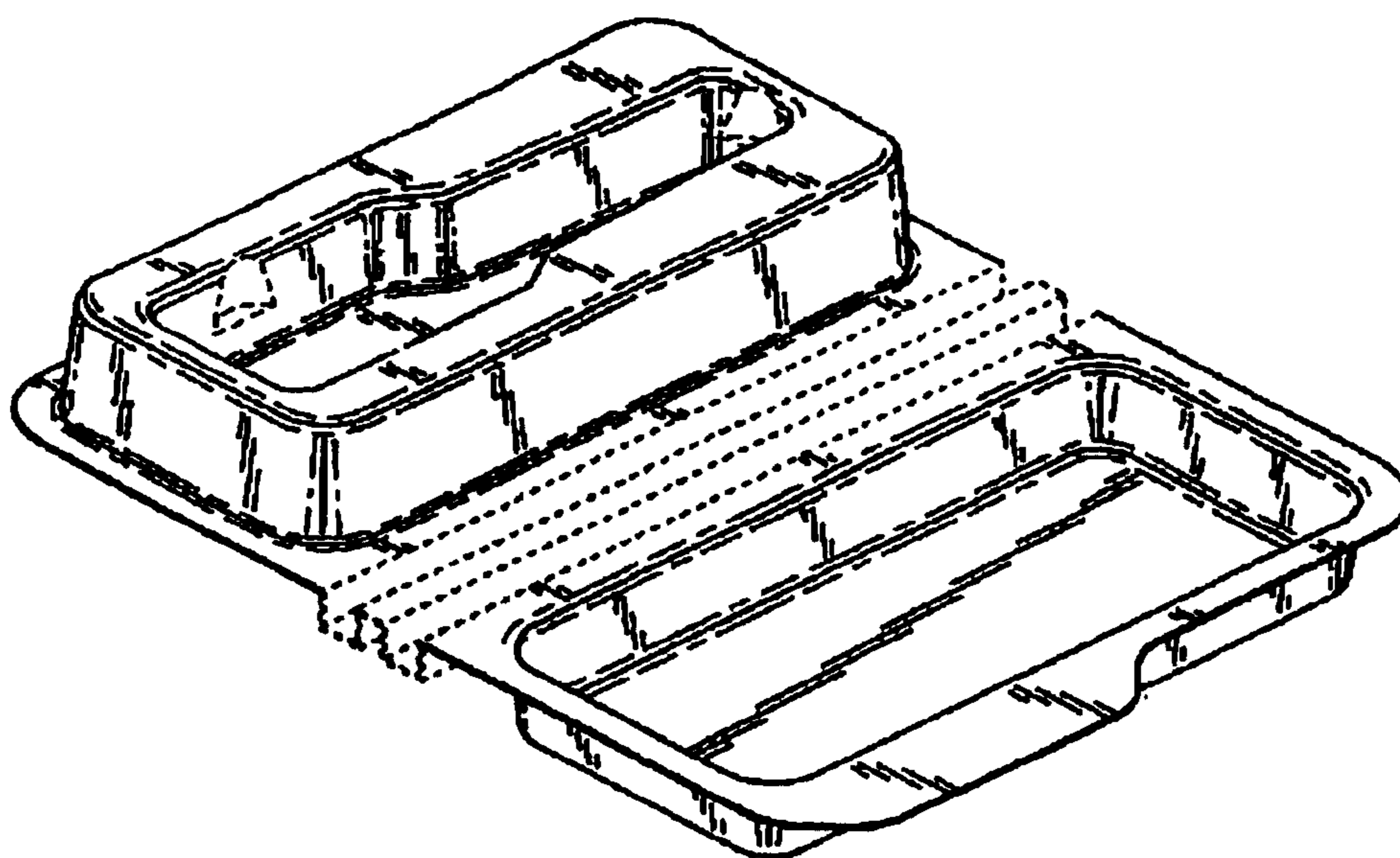


Fig. 1

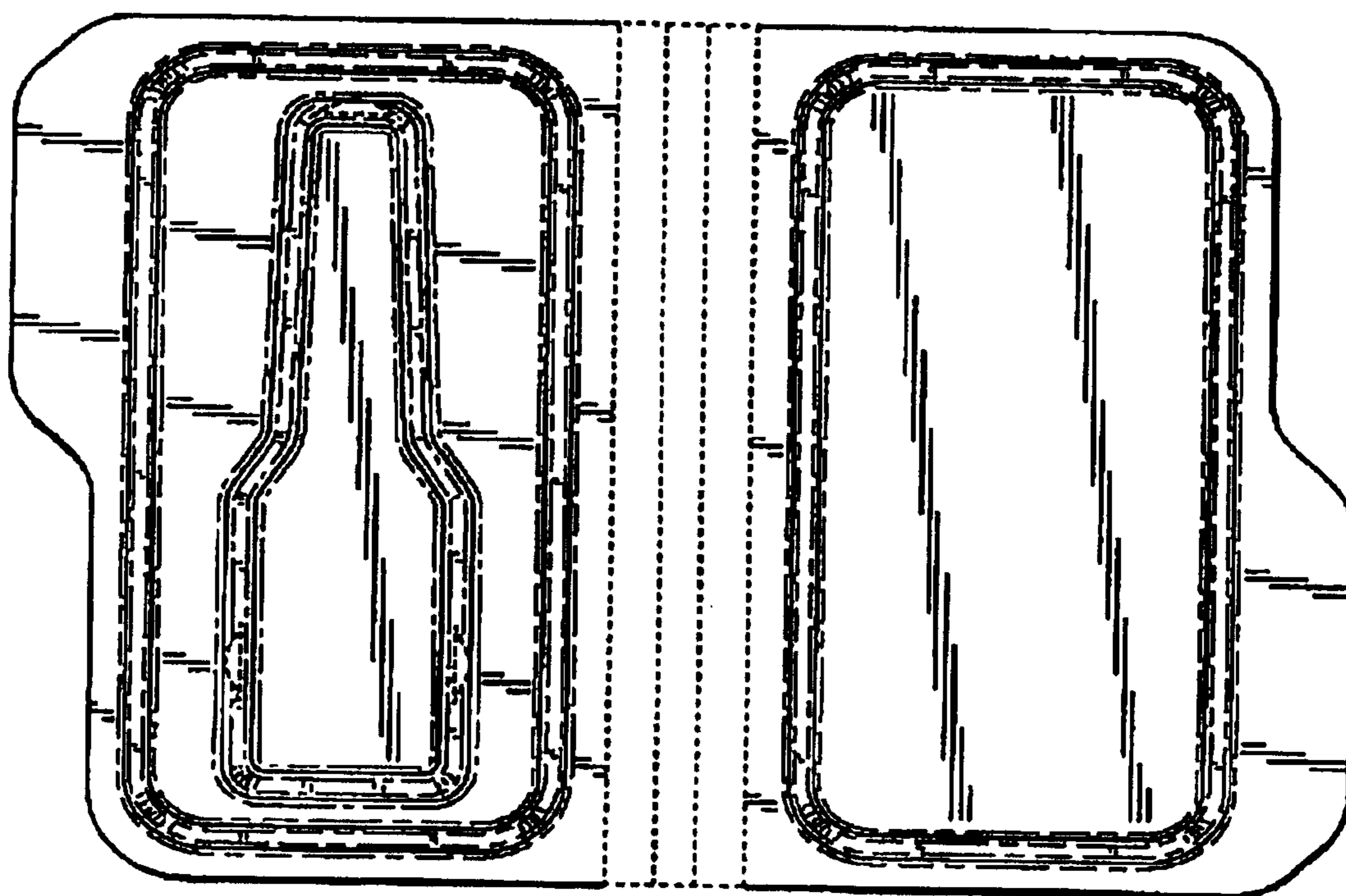


Fig. 2

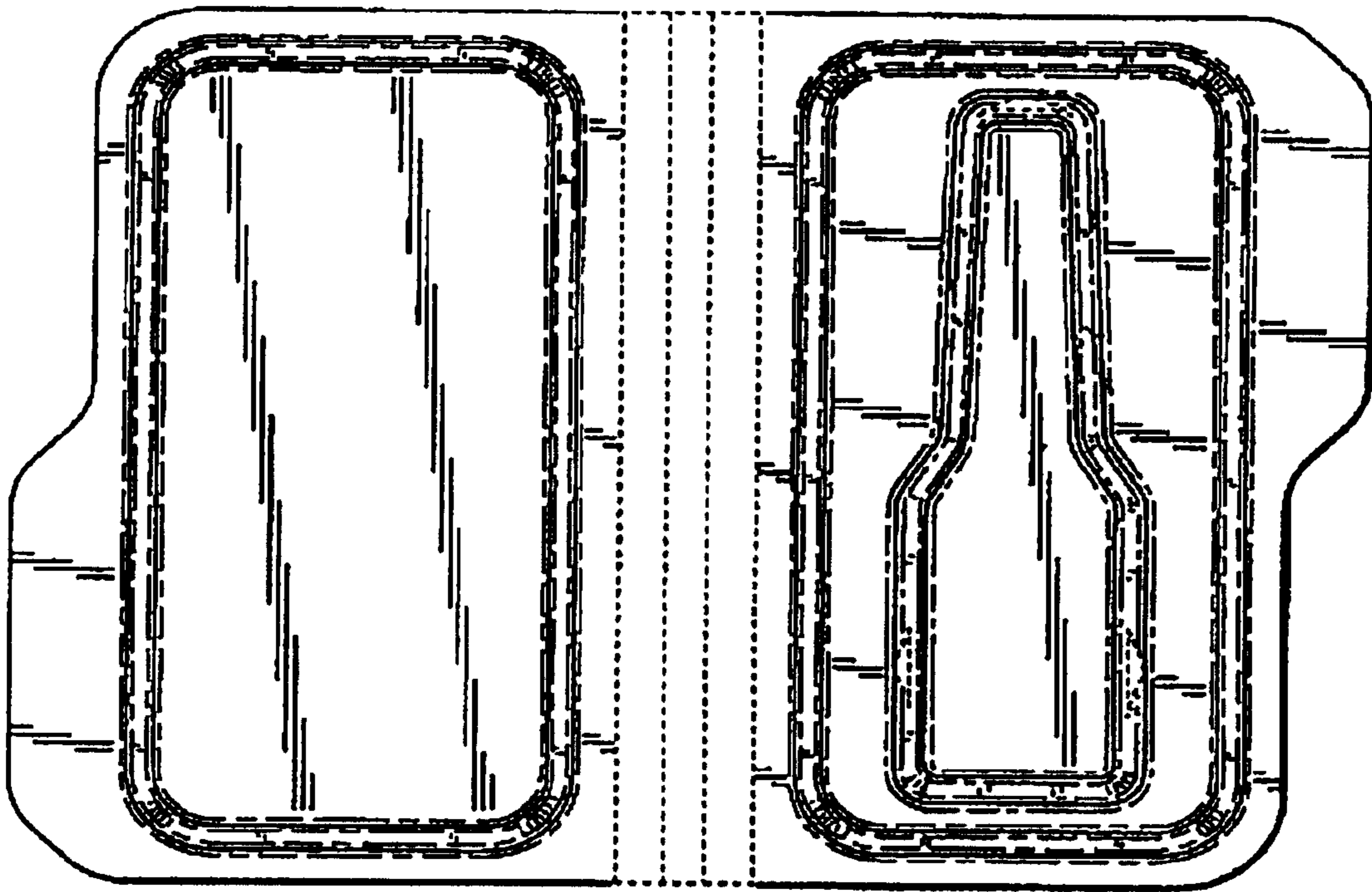


Fig. 3

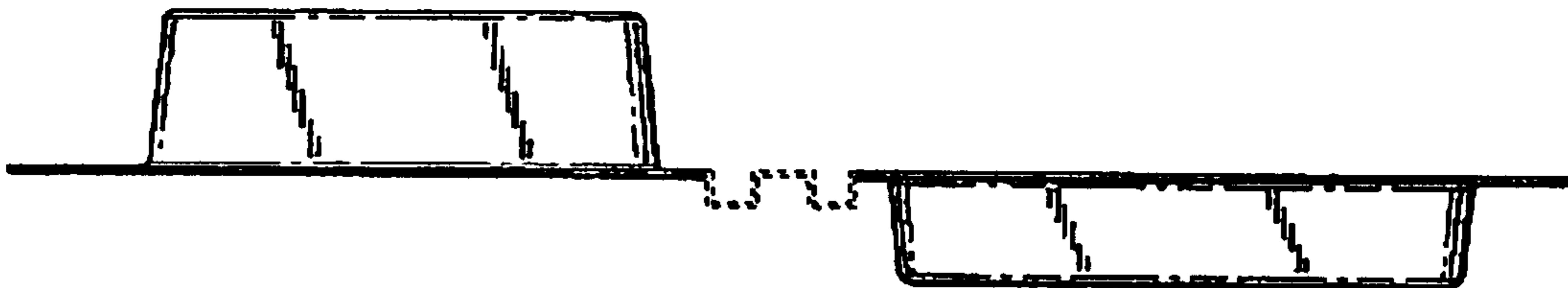


Fig. 4

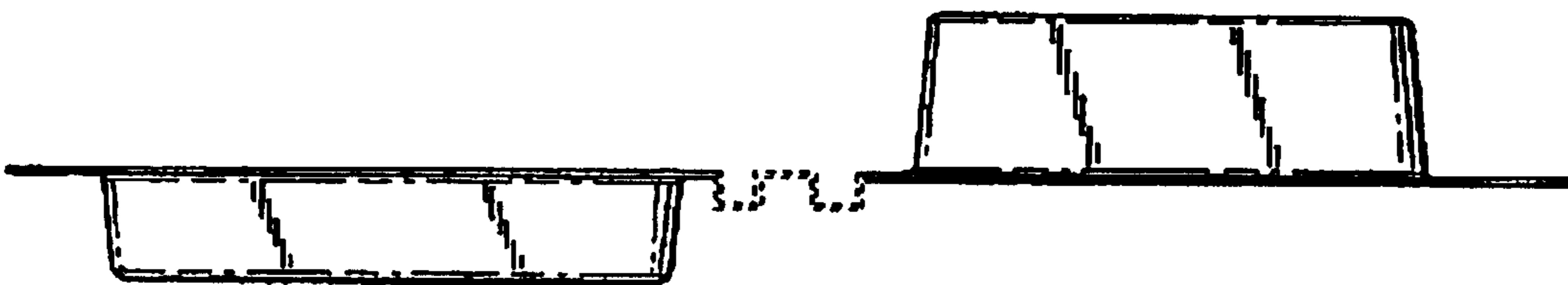


Fig. 5

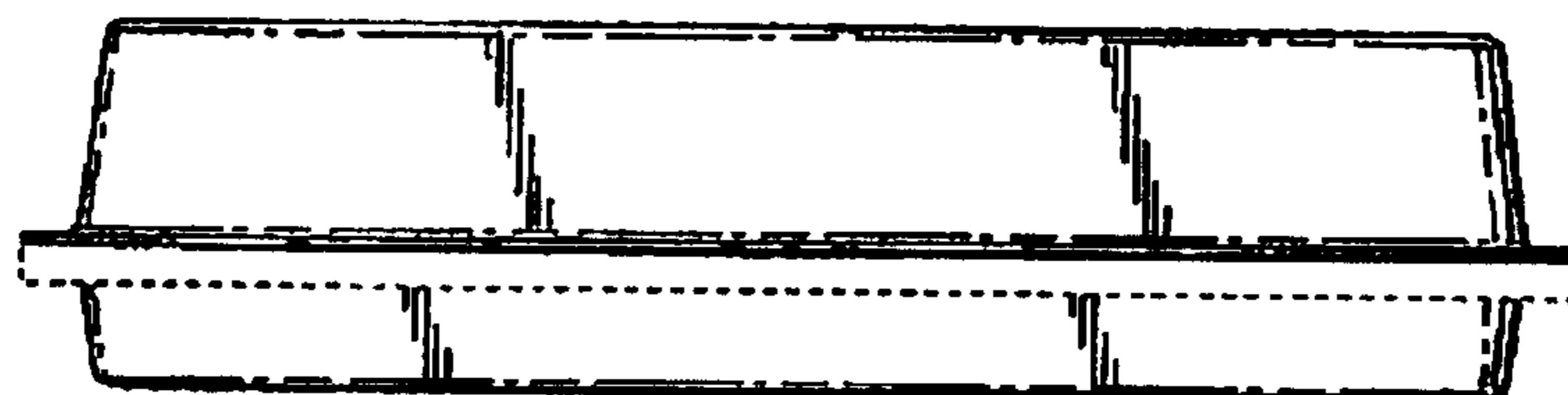


Fig. 6

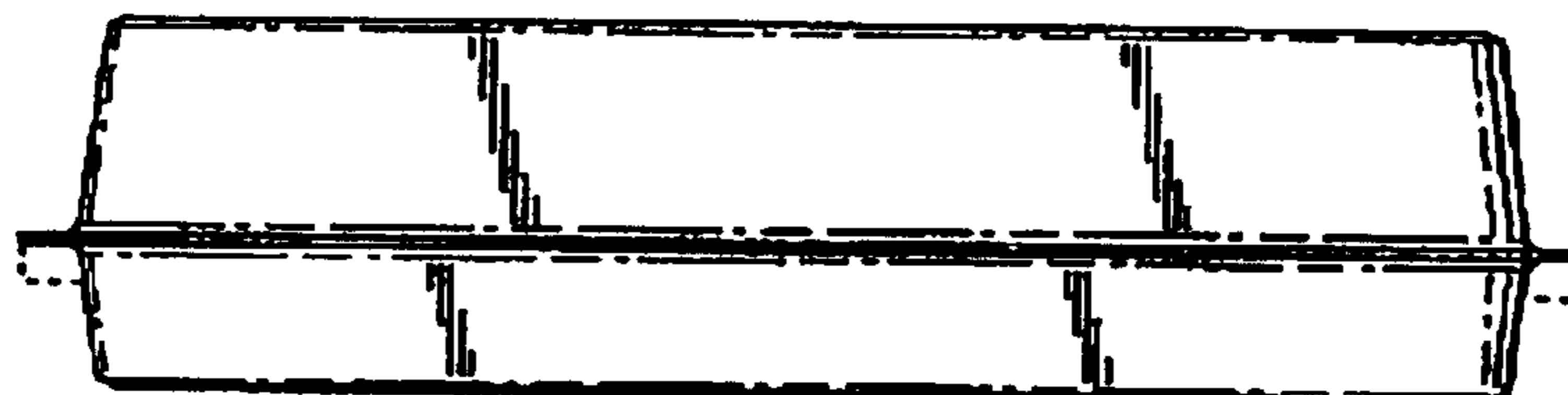


Fig. 7

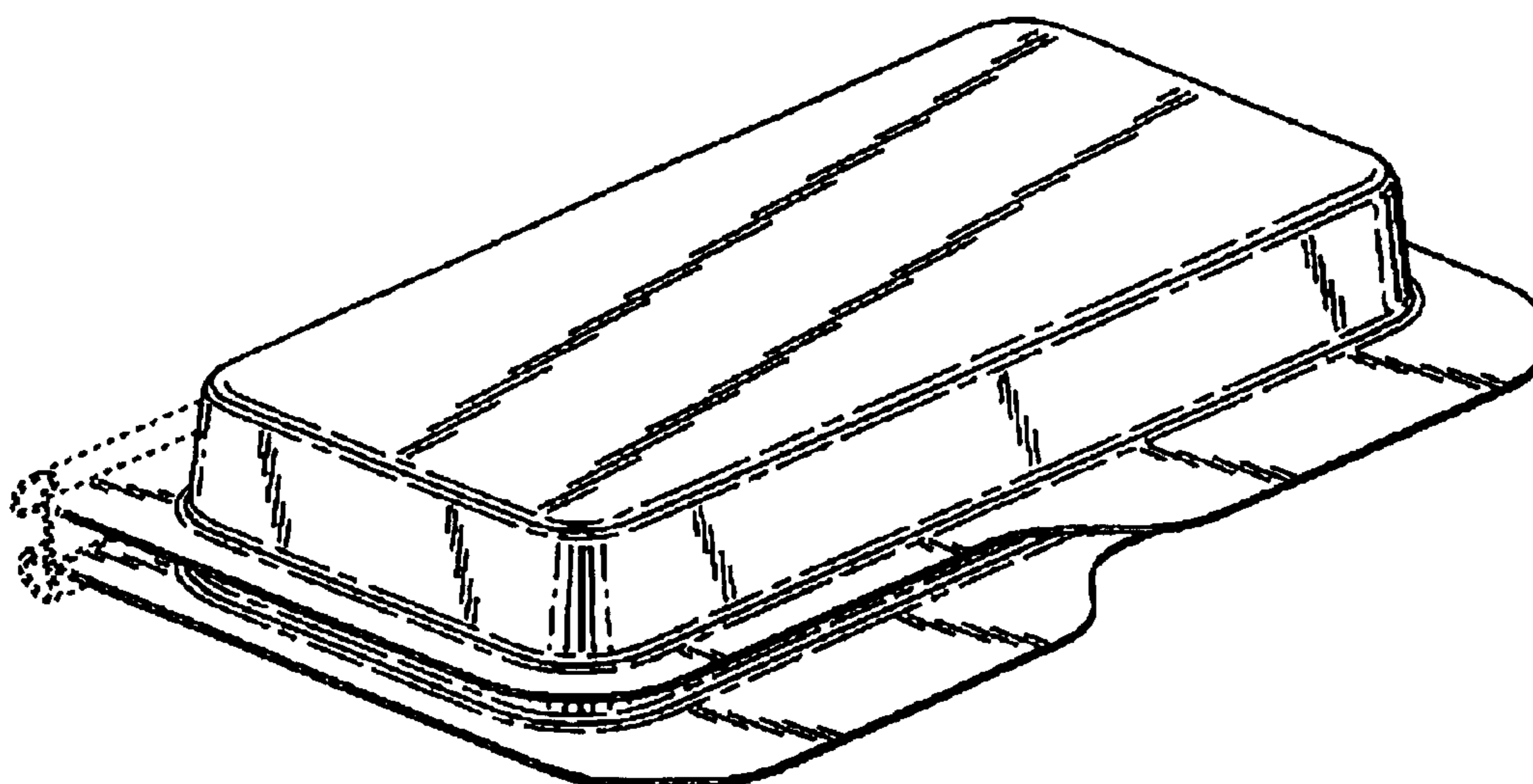


Fig. 8