



US00D538636S

(12) **United States Design Patent**
Jackson et al.

(10) **Patent No.:** **US D538,636 S**
(45) **Date of Patent:** **** Mar. 20, 2007**

(54) **CLIP**
(75) Inventors: **Trevor Jackson**, Kirland, OH (US);
Harry Klaus, Mars, PA (US)
(73) Assignee: **Emerald Innovation L.L.C.**, Bulter, PA
(US)
(**) Term: **14 Years**
(21) Appl. No.: **29/253,313**
(22) Filed: **Feb. 3, 2006**
(51) **LOC (8) Cl.** **08-08**
(52) **U.S. Cl.** **D8/395**
(58) **Field of Classification Search** D8/356,
D8/371, 394-396; 248/74.2, 215, 227.1,
248/49, 300, 301, 316.7, 51, 489; 24/22,
24/67 R, 20 S, 115 R, 546, 563, 910, 343,
24/67.9; D19/65
See application file for complete search history.

D383,666 S 9/1997 Adams
5,669,709 A 9/1997 Adams
D396,184 S 7/1998 Adams et al.
D405,681 S 2/1999 McDowell et al.
D406,383 S 3/1999 Adams
5,910,351 A * 6/1999 Davis et al. 428/100
D414,291 S 9/1999 Gary et al.
D416,788 S 11/1999 Jones et al.
D417,612 S 12/1999 Jones
D421,565 S 3/2000 Jones et al.
D422,203 S 4/2000 Gary et al.
D424,418 S 5/2000 Gary et al.
D424,419 S 5/2000 Avinger
D427,510 S 7/2000 Gary et al.
6,131,865 A 10/2000 Adams
D435,684 S 12/2000 Gary et al.
D451,007 S 11/2001 Jones et al.
6,328,459 B1 12/2001 Adams
6,352,229 B1 3/2002 Adams
D460,912 S 7/2002 Gary et al.
6,497,396 B1 12/2002 Adams
6,513,188 B2 2/2003 Kalman et al.
6,644,836 B1 11/2003 Adams

(Continued)

(56) **References Cited**

U.S. PATENT DOCUMENTS

D251,124 S * 2/1979 Takeuchi D8/395
D290,931 S * 7/1987 Powell D8/373
D298,738 S * 11/1988 Rumpel D8/395
5,141,192 A 8/1992 Adams
D331,360 S 12/1992 Adams
5,249,108 A 9/1993 Gary
D342,889 S 1/1994 Adams
D356,246 S 3/1995 Adams
D356,492 S 3/1995 Adams
D360,355 S 7/1995 Adams
D360,572 S 7/1995 Adams
D360,573 S 7/1995 Adams
D365,015 S 12/1995 Avinger
D367,223 S 2/1996 Adams
D368,016 S 3/1996 McDowell et al.
D368,017 S 3/1996 McDowell et al.
D368,018 S 3/1996 McDowell et al.
D376,535 S 12/1996 Gary et al.
D376,973 S 12/1996 Brown
D377,844 S 2/1997 Gary et al.
D378,439 S 3/1997 Gary et al.

Primary Examiner—Louis S. Zarfes
Assistant Examiner—John Windmuller
(74) *Attorney, Agent, or Firm*—Calfee, Halter & Griswold
LLP

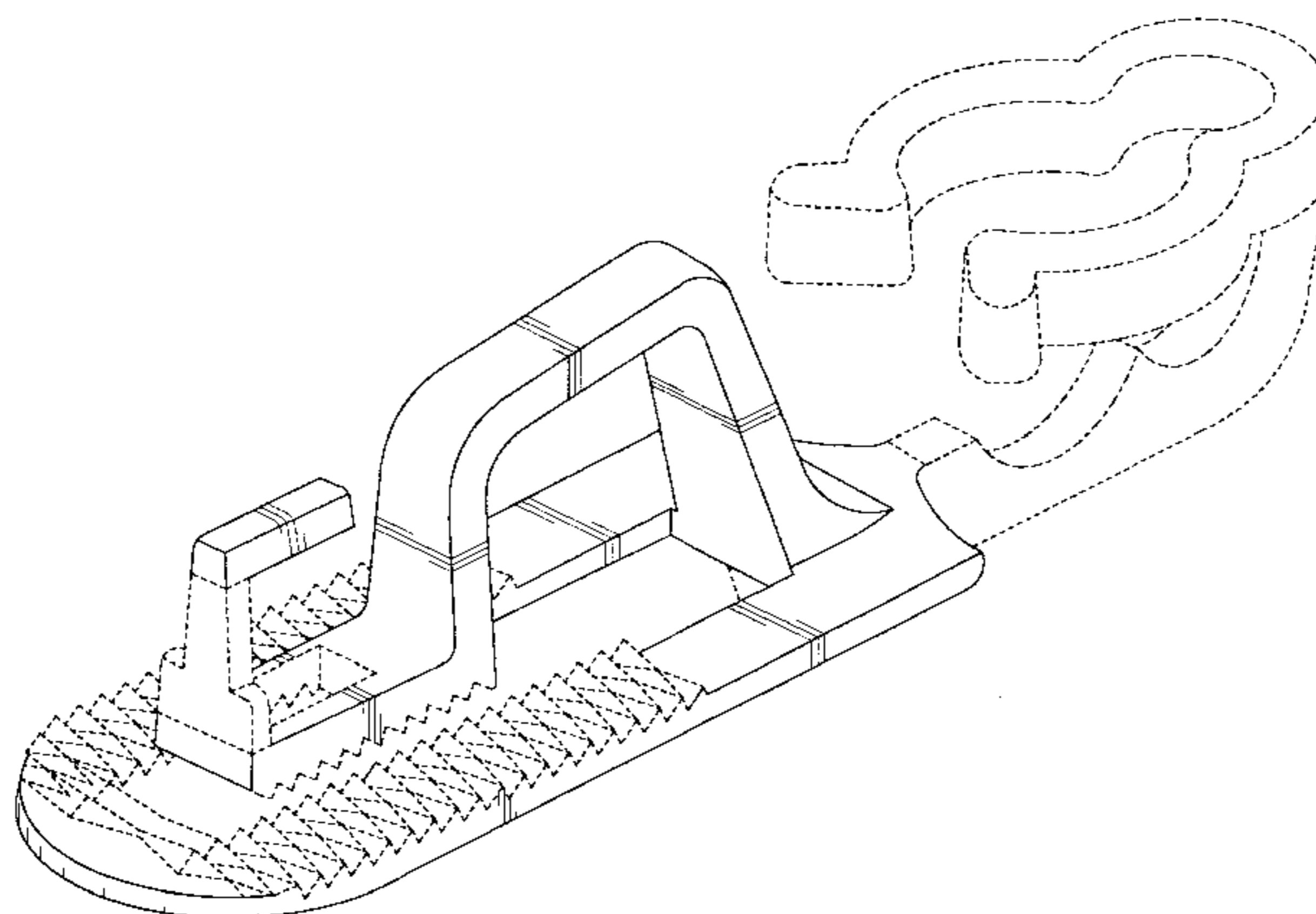
(57) **CLAIM**

The ornamental design for a clip, as shown and described.

DESCRIPTION

FIG. 1 is a perspective view of a clip of the new design;
FIG. 2 is a front elevational view of the clip of FIG. 1;
FIG. 3 is a rear elevational view of the clip of FIG. 1;
FIG. 4 is a left side elevational view of the clip of FIG. 1;
FIG. 5 is a right side elevational view of the clip of FIG. 1;
FIG. 6 is a top plan view of the clip of FIG. 1; and,
FIG. 7 is a bottom plan view of the clip of FIG. 1.
The portions of the Figures shown in broken lines are not
part of the claimed design and are for illustration only.

1 Claim, 3 Drawing Sheets



US D538,636 S

Page 2

U.S. PATENT DOCUMENTS

D492,890 S 7/2004 Adams
D494,849 S 8/2004 Jones et al.
6,857,608 B2 2/2005 Avinger
2003/0198054 A1 10/2003 Adams
2004/0129846 A1 7/2004 Adams et al.

2005/0017144 A1 1/2005 Jackson et al.
2005/0072886 A1 4/2005 Adams
2005/0082454 A1 4/2005 Adams
2005/0188507 A1 9/2005 Adams et al.

* cited by examiner

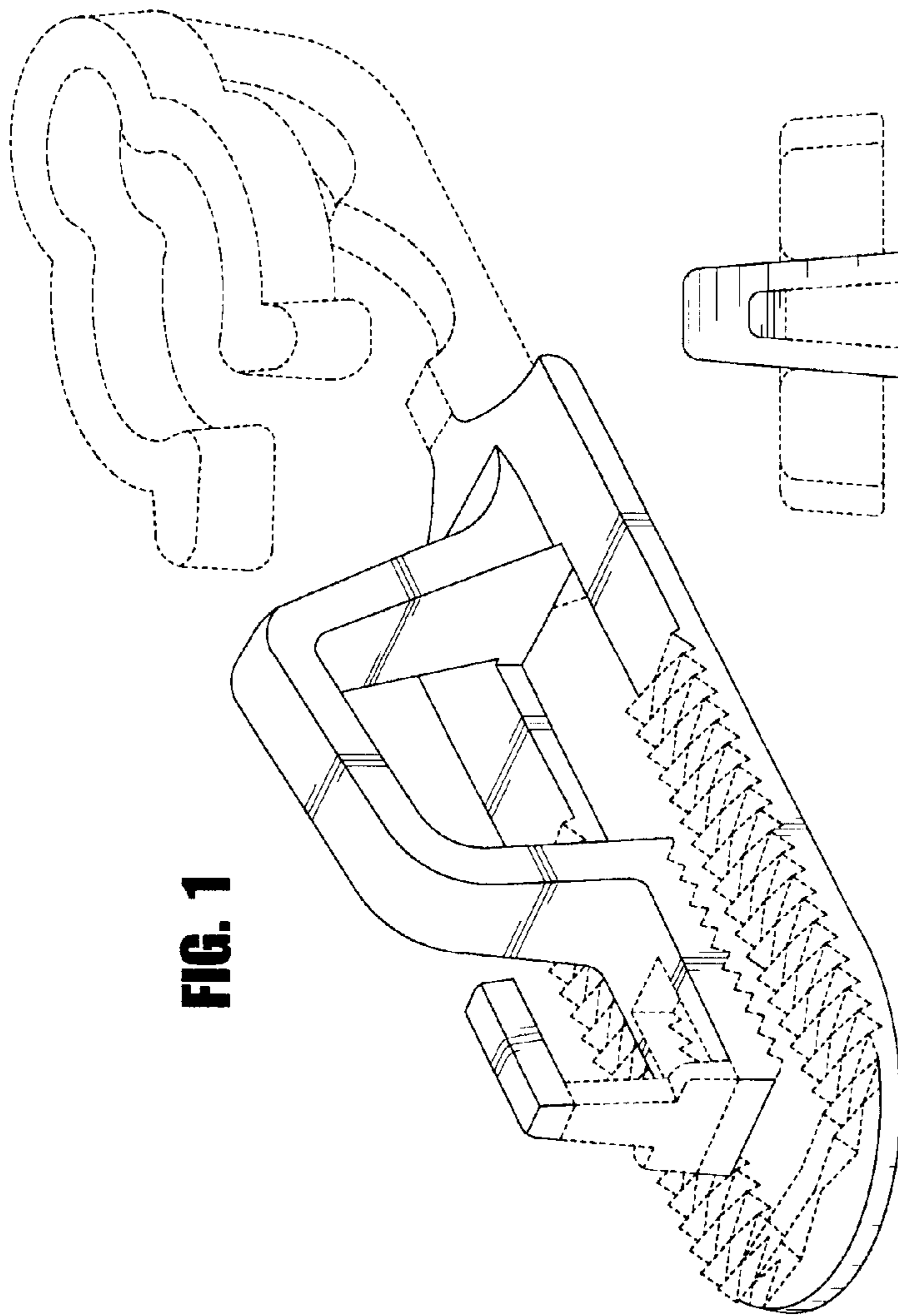


FIG. 1

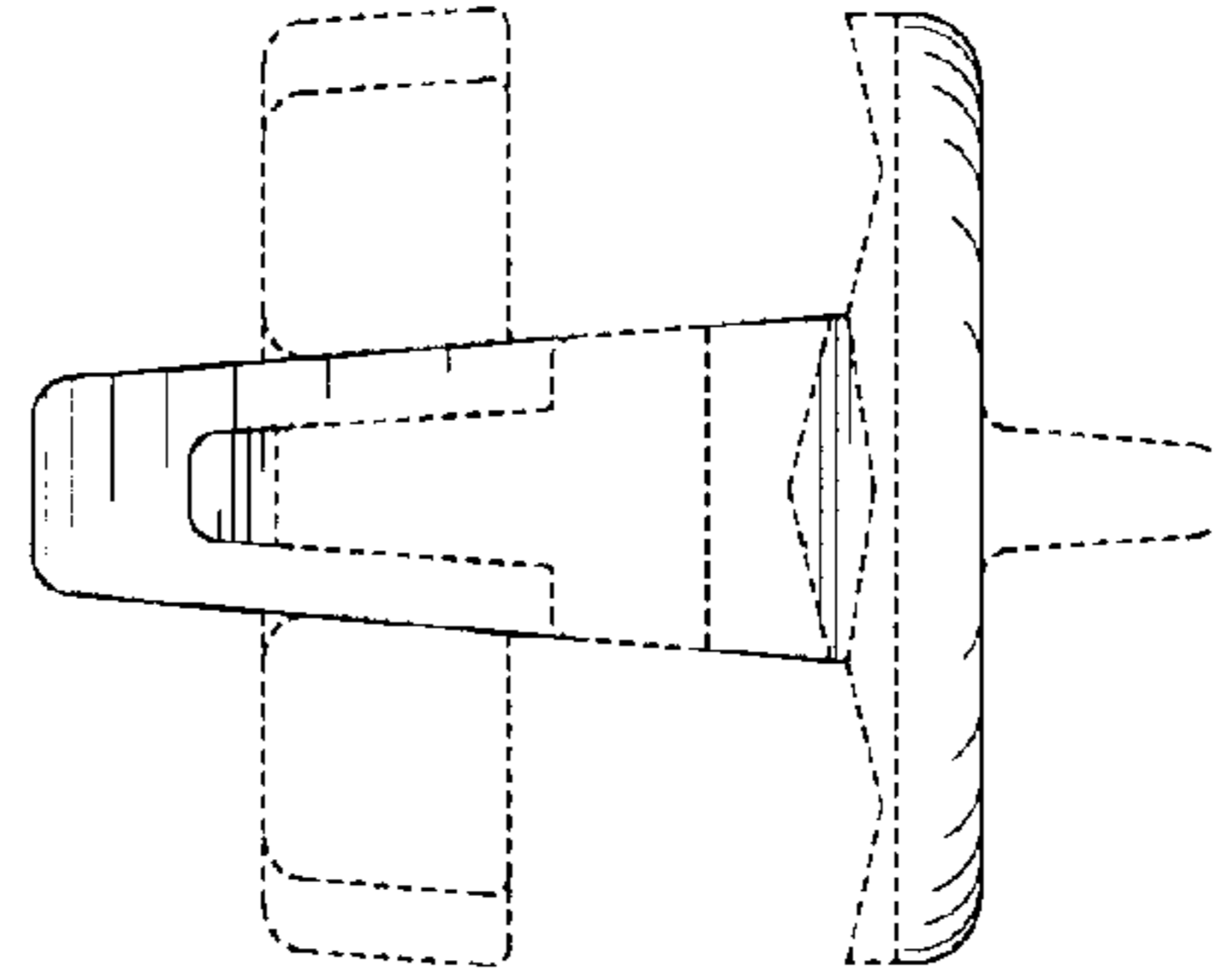


FIG. 2

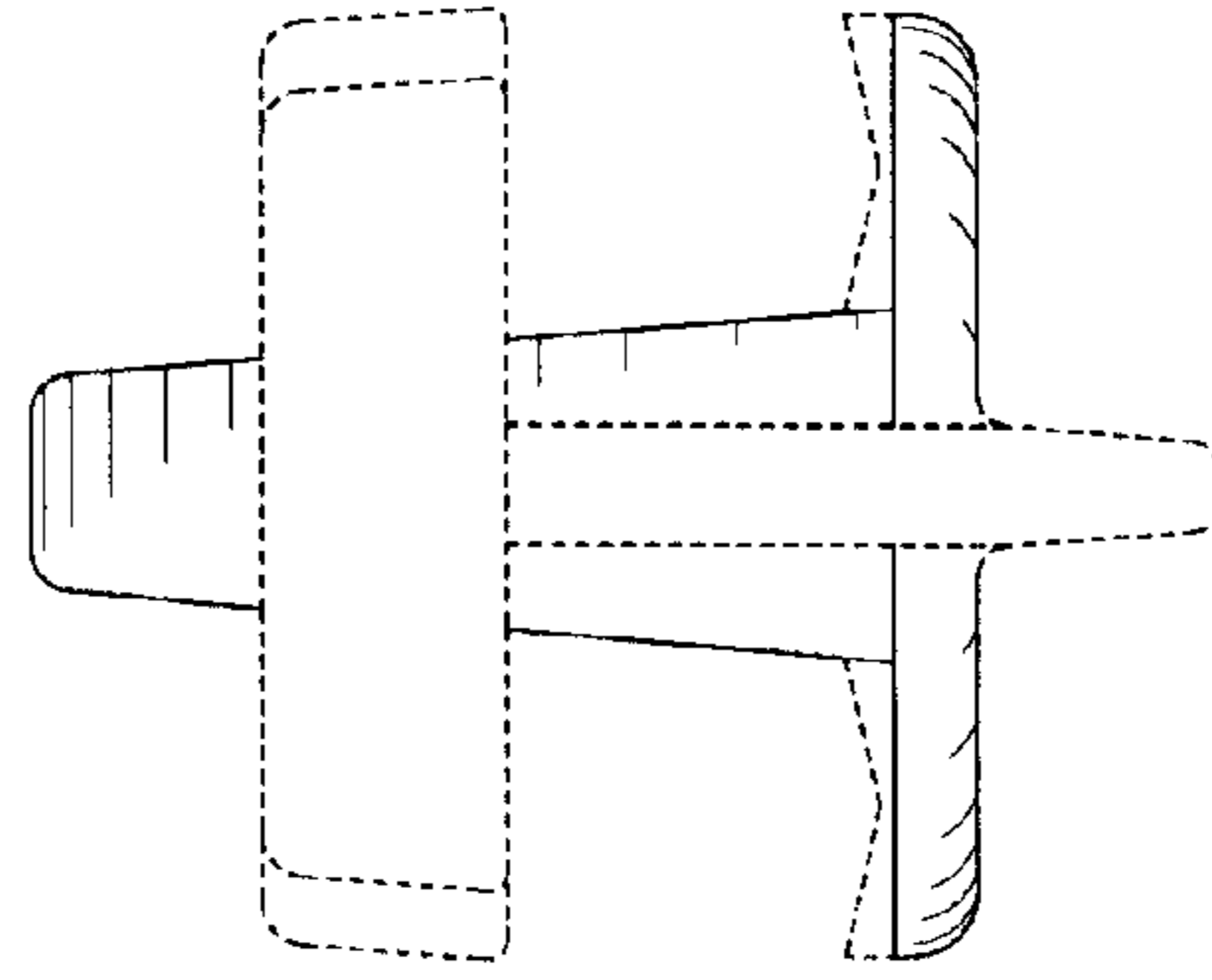


FIG. 3

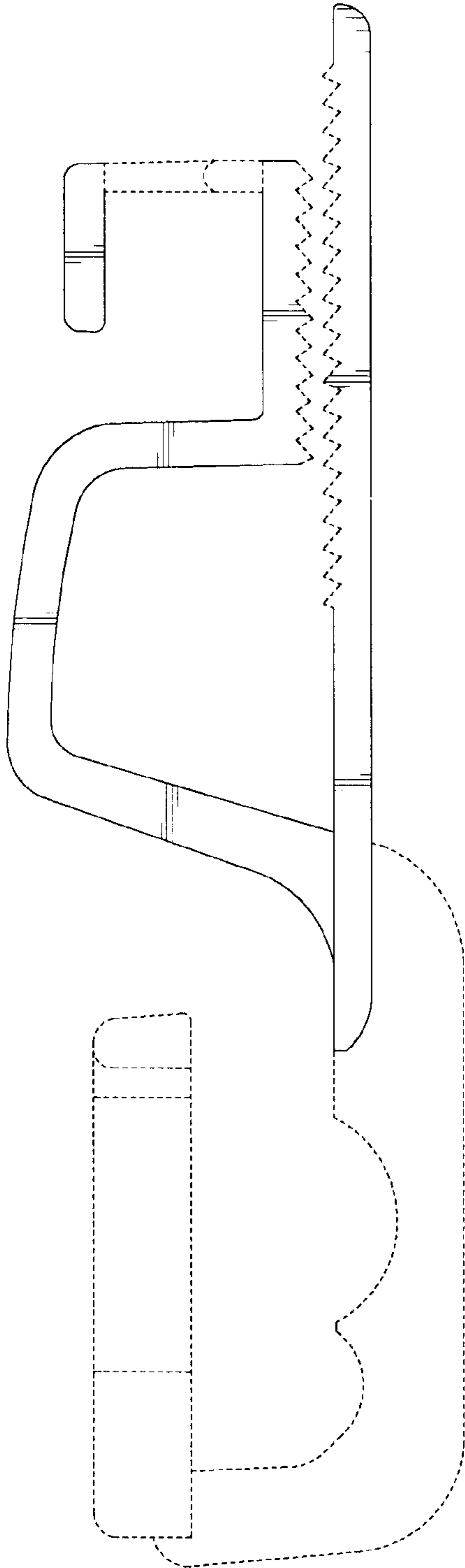


FIG. 4

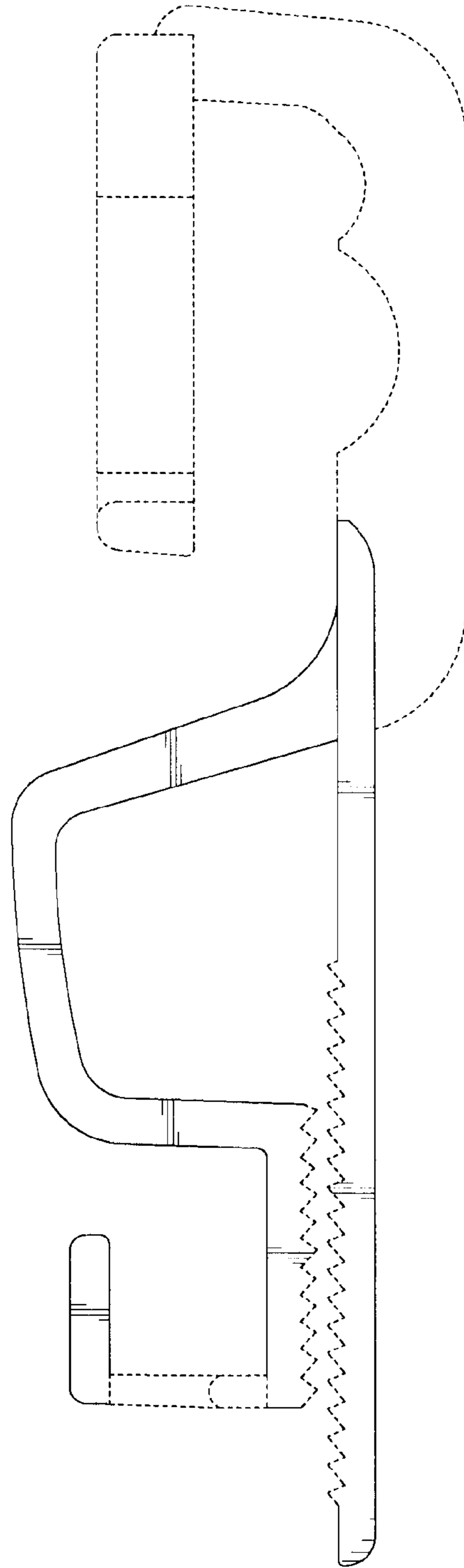


FIG. 5

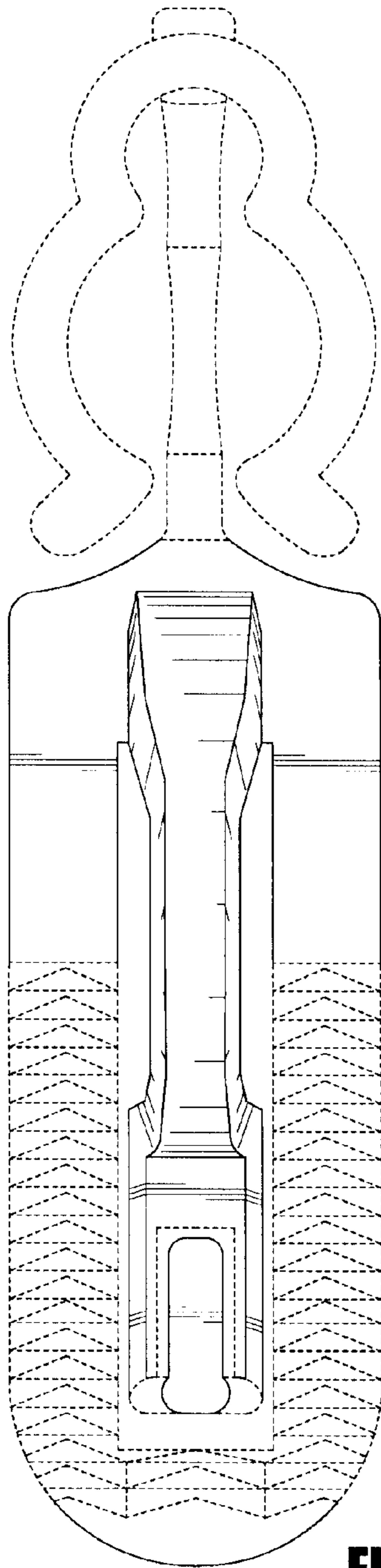


FIG. 6

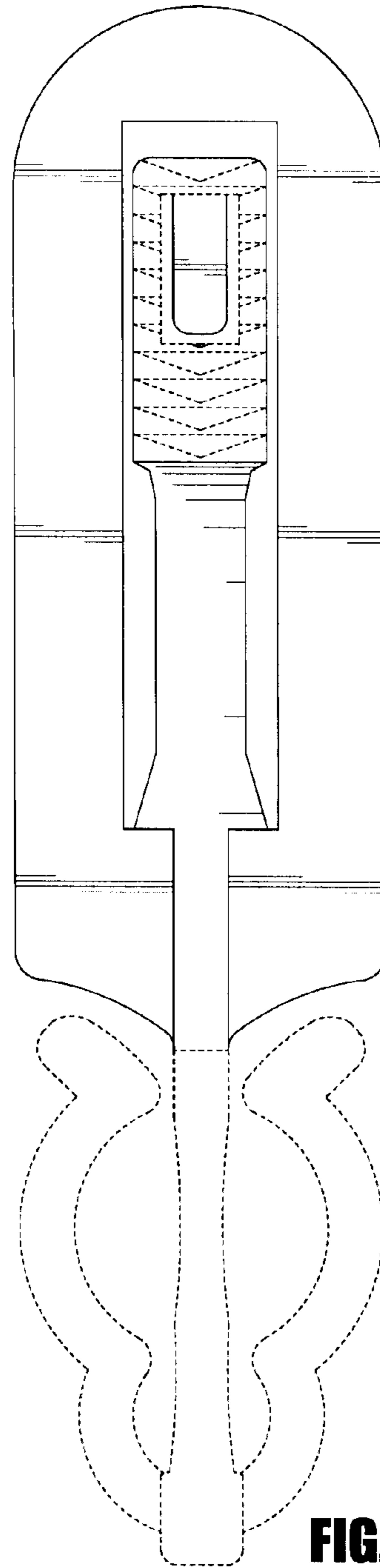


FIG. 7