

US00D538635S

(12) **United States Design Patent** (10) **Patent No.:** **US D538,635 S**
De La Fuente et al. (45) **Date of Patent:** **** Mar. 20, 2007**

(54) **CLIP**
(75) Inventors: **Jose A. De La Fuente**, Reforma 2600, Lomas De Chapultepec, Mexico DF 11000 (MX); **Carlos A. Hoefken**, Dallas, TX (US); **Mike Don Harper**, Fort Worth, TX (US)

(73) Assignee: **Jose A. De La Fuente**, Mexico City (MX)

(**) Term: **14 Years**

(21) Appl. No.: **29/244,484**

(22) Filed: **Dec. 9, 2005**

(51) **LOC (8) Cl.** **08-08**

(52) **U.S. Cl.** **D8/394**

(58) **Field of Classification Search** D8/356, D8/371, 394-396, 499, 53, 100, 365; D12/51; D19/65, 90; D28/39, 40, 42; 24/546, 563, 24/910, 327, 334, DIG. 8, DIG. 9, DIG. 13, 24/DIG. 28; 248/74.2, 300, 301, 316.7, 229.26
See application file for complete search history.

(56) **References Cited**

U.S. PATENT DOCUMENTS

D219,804 S	*	2/1971	Toder	D8/373
D222,799 S	*	1/1972	Hughes, III	D8/354
3,698,037 A		10/1972	Johnson		
D229,384 S	*	11/1973	Groce	D8/354
3,823,447 A		7/1974	Johnson		
3,831,230 A		8/1974	Rawlings		
D234,260 S	*	2/1975	Eastman	D8/333
3,879,818 A		4/1975	Rowland		
3,981,054 A		9/1976	Hull et al.		
4,077,096 A		3/1978	Christian		
4,304,031 A		12/1981	Semon et al.		
4,320,562 A		3/1982	Kelley		
4,727,632 A		3/1988	Yearsley		
4,800,631 A		1/1989	Pellmann		
4,951,367 A		8/1990	Wolfe		
5,121,529 A		6/1992	McClure		
5,201,102 A		4/1993	McClure		

5,222,281 A		6/1993	Guerin		
5,261,199 A		11/1993	Schmidt		
5,485,661 A		1/1996	McClure		
5,495,648 A		3/1996	Rojdev et al.		
5,519,923 A		5/1996	Rojdev et al.		
5,568,677 A		10/1996	Tobin		
D375,893 S	*	11/1996	Hutcheson et al.	D8/394
5,606,785 A		3/1997	Shelberg et al.		
5,619,785 A		4/1997	Tambussi		
5,632,073 A		5/1997	Foye		
5,680,682 A		10/1997	Watkins et al.		
5,701,642 A		12/1997	Order		
5,762,785 A		6/1998	Garrigos Ruiz		
5,966,786 A		10/1999	Bowling		
5,974,640 A		11/1999	Vosahlik et al.		
5,996,197 A		12/1999	Jurkovic		
6,105,221 A		8/2000	Cox		
6,154,939 A		12/2000	Woedl		
6,301,758 B1		10/2001	Biondo et al.		
6,314,626 B1		11/2001	Becker		
6,499,193 B1		12/2002	Robert		
6,574,841 B1		6/2003	Vosahlik et al.		
6,745,442 B2		6/2004	Biondo et al.		

* cited by examiner

Primary Examiner—Louis S. Zarfaz
Assistant Examiner—John Windmuller
(74) *Attorney, Agent, or Firm*—Carstens & Cahoon, LLP; Colin P. Cahoon; Chad E. Walter

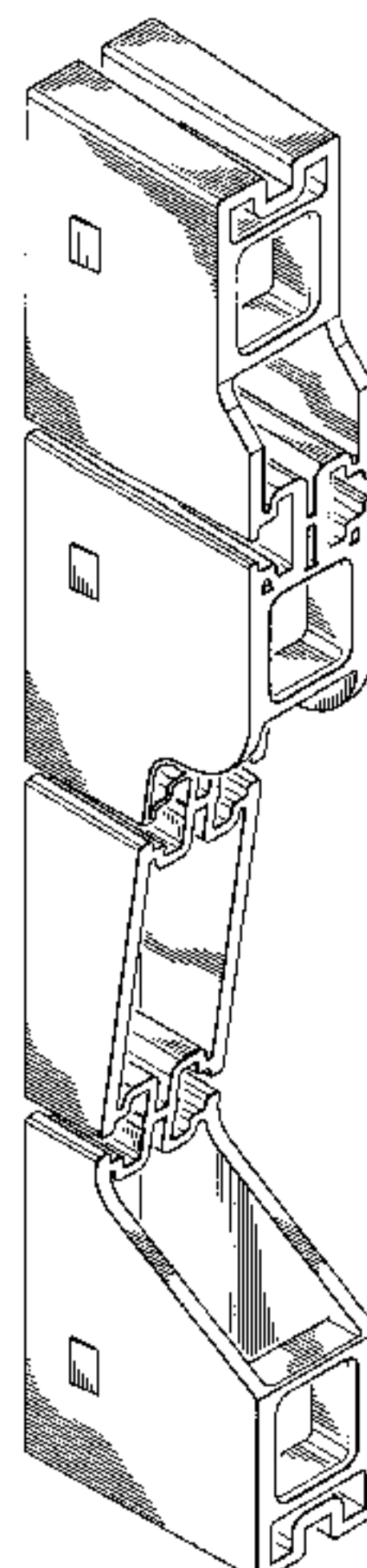
(57) **CLAIM**

The ornamental design for a clip, as shown and described.

DESCRIPTION

FIG. 1 is a perspective view of a clip showing our new design;
FIG. 2 is a left side elevational view thereof, right side elevational view being a mirror image;
FIG. 3 is a front elevational view thereof;
FIG. 4 is a rear elevational view thereof;
FIG. 5 is a top plan view thereof; and,
FIG. 6 is a bottom plan view thereof.

1 Claim, 3 Drawing Sheets



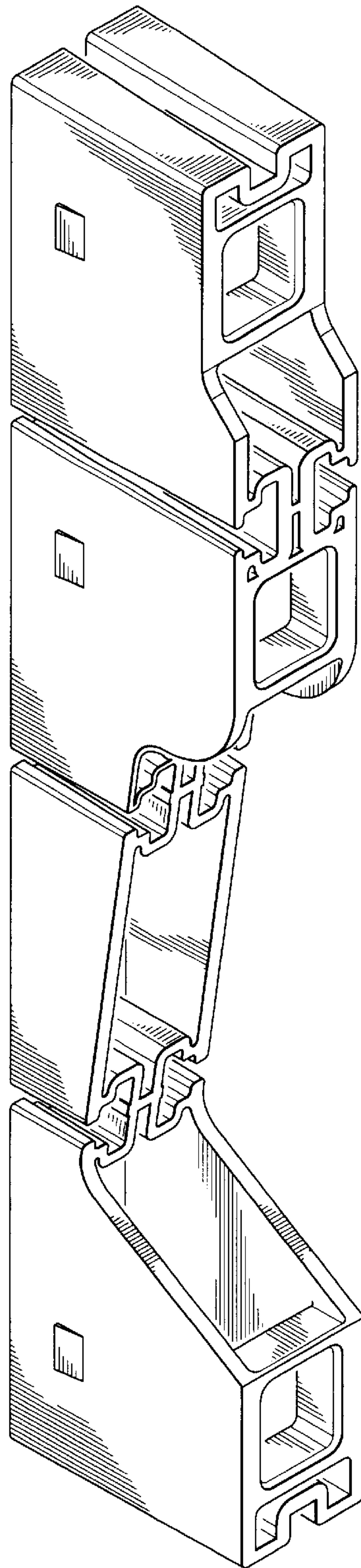


FIG. 1

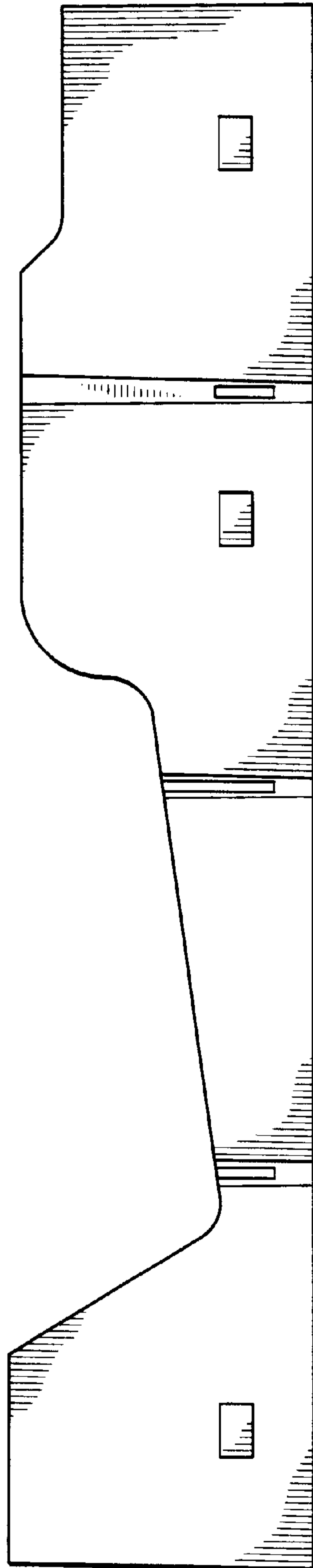


FIG. 2

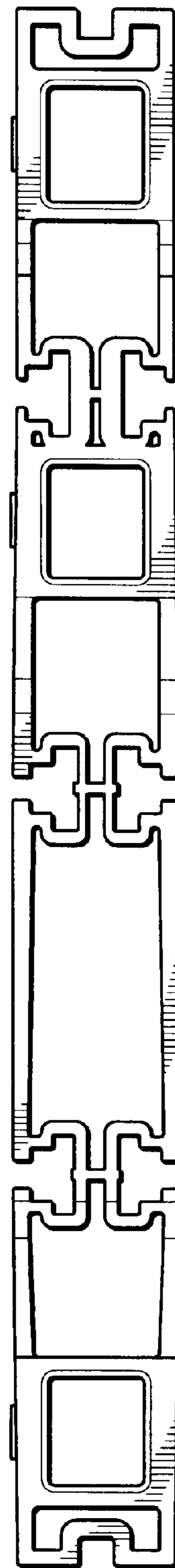


FIG. 3

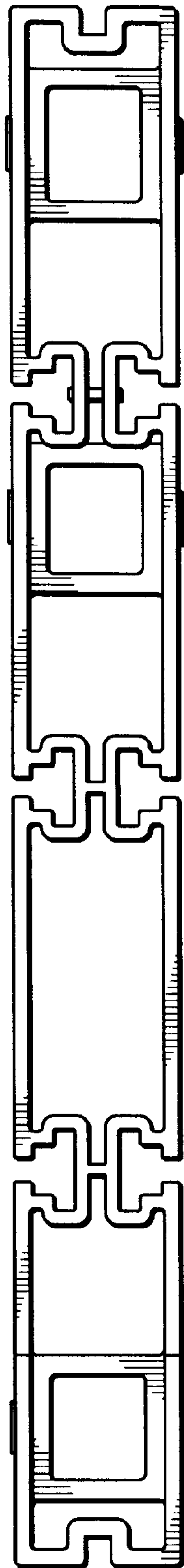


FIG. 4

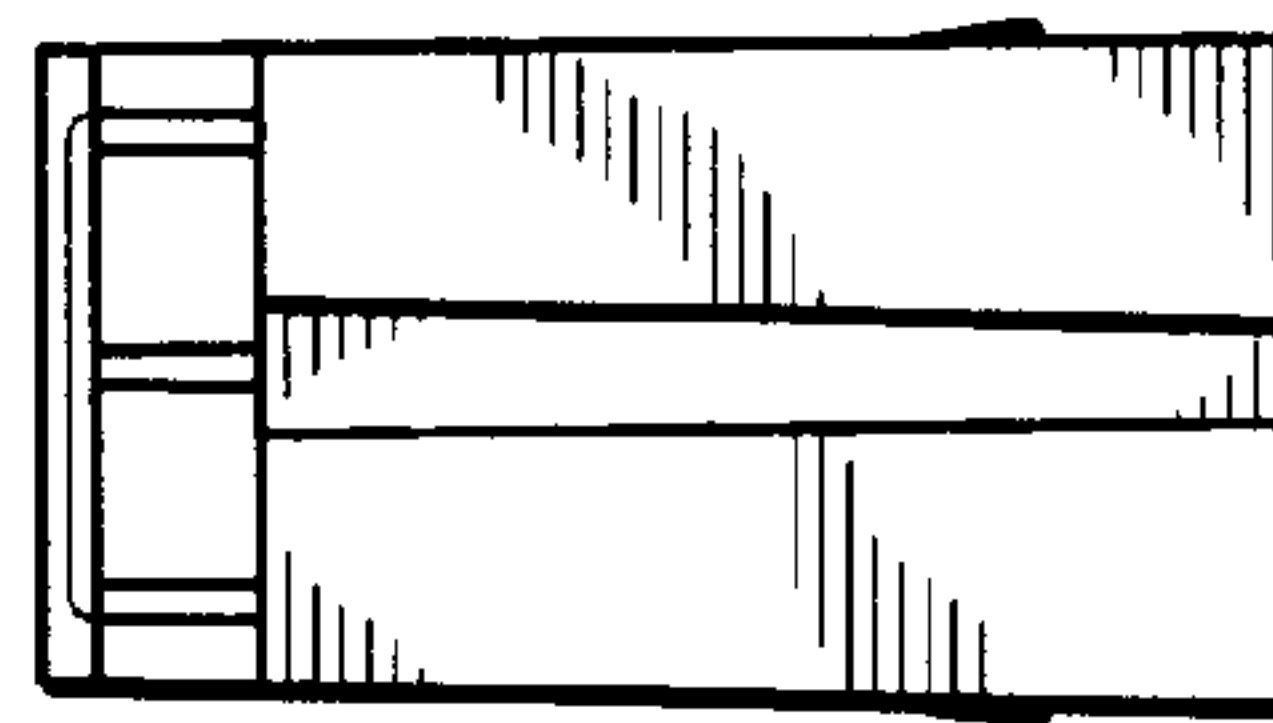


FIG. 5

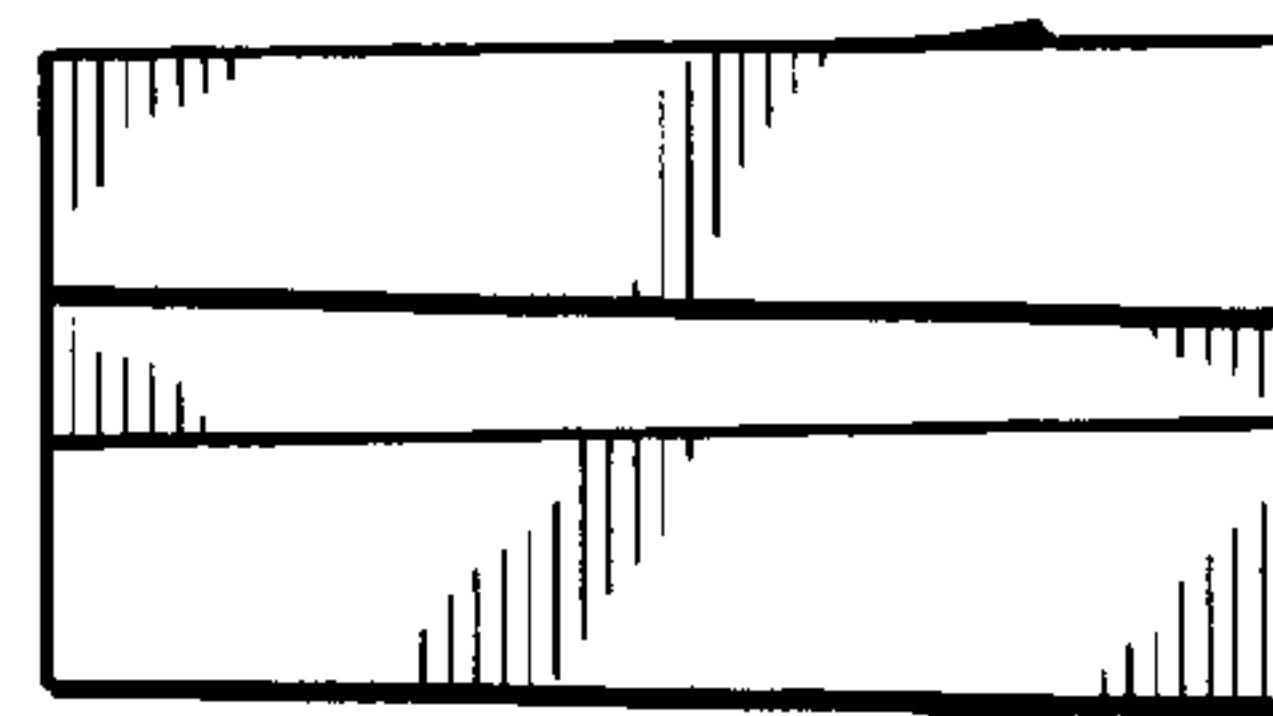


FIG. 6