



US00D538631S

(12) **United States Design Patent**
Tabor et al.

(10) **Patent No.:** **US D538,631 S**
(45) **Date of Patent:** **** Mar. 20, 2007**

(54) **KITE REEL**

(76) Inventors: **Don Tabor**, 30765 Pacific Coast Hwy.,
Suite 300, Malibu, CA (US) 90265;
Francis Alonso, 30765 Pacific Coast
Hwy., Suite 300, Malibu, CA (US)
90265

(**) **Term:** **14 Years**

(21) **Appl. No.:** **29/232,093**

(22) **Filed:** **Jun. 13, 2005**

(51) **LOC (8) Cl.** **08-05**

(52) **U.S. Cl.** **D8/359**

(58) **Field of Classification Search** D8/359;
242/396.2, 396.6, 396.9, 403.5, 129.8
See application file for complete search history.

(56) **References Cited**

U.S. PATENT DOCUMENTS

D177,612 S * 5/1956 Browning D8/359
2,896,878 A * 7/1959 Wetzel 242/396.9
D194,753 S * 3/1963 Haller D8/359

3,731,887 A * 5/1973 Wheeler 242/405.3
4,106,719 A * 8/1978 Haverland 242/396.6
4,176,807 A * 12/1979 Kwon 242/394
D275,729 S * 10/1984 Stoddard D8/359
D434,970 S * 12/2000 Wang D8/359
D480,623 S * 10/2003 Miller et al. D8/359

* cited by examiner

Primary Examiner—Holly H. Baynham

(74) *Attorney, Agent, or Firm*—Louis J. Bachand

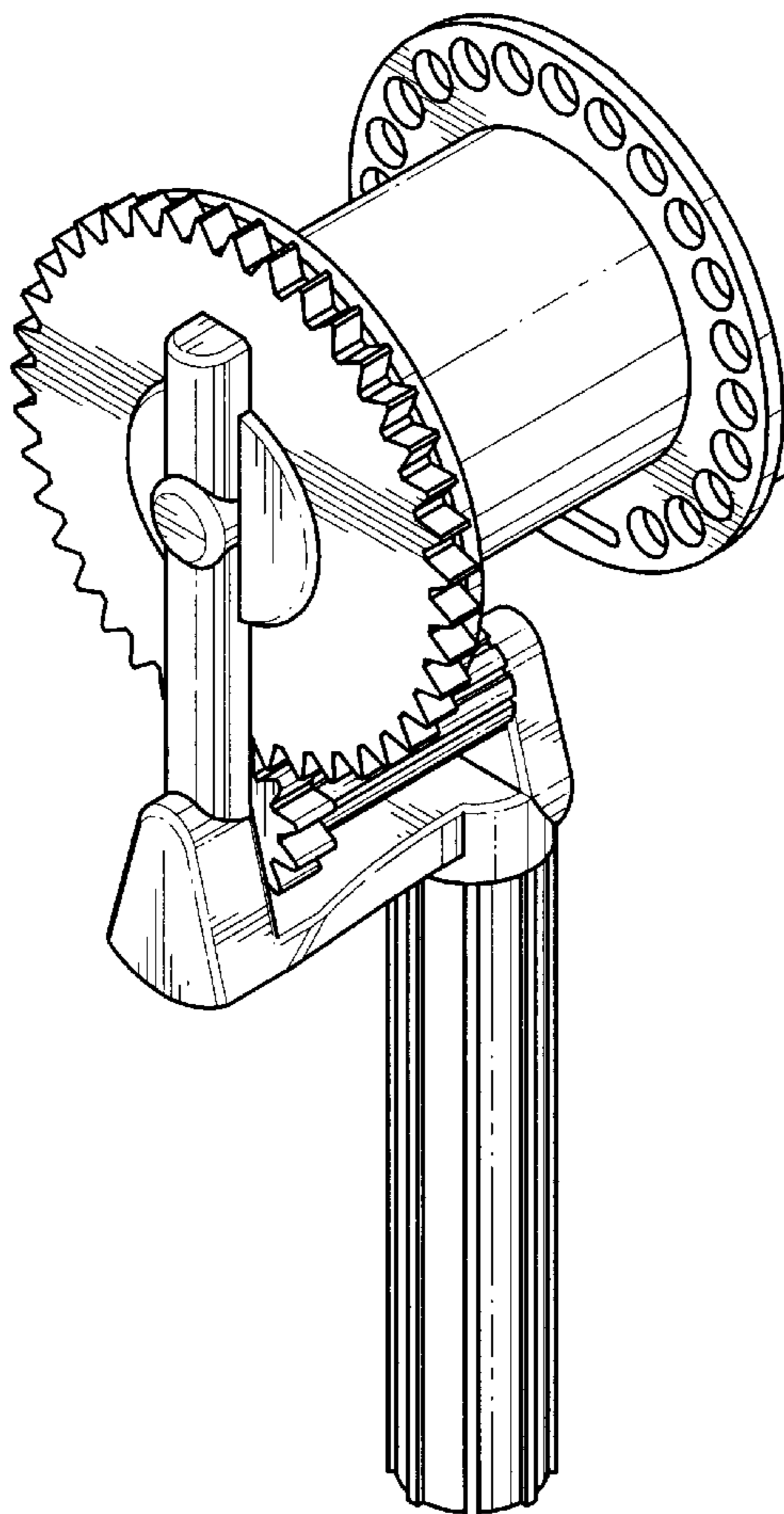
(57) **CLAIM**

We claim the ornamental design for a kite reel, as shown and described.

DESCRIPTION

FIG. 1 is a perspective view of the kite reel design;
FIG. 2 is a rear elevational view thereof, the front being a mirror image thereto;
FIG. 3 is a front plan view thereof;
FIG. 4 is a bottom view thereof;
FIG. 5 is a right side elevational view thereof; and,
FIG. 6 is a left side elevational view thereof.

1 Claim, 3 Drawing Sheets



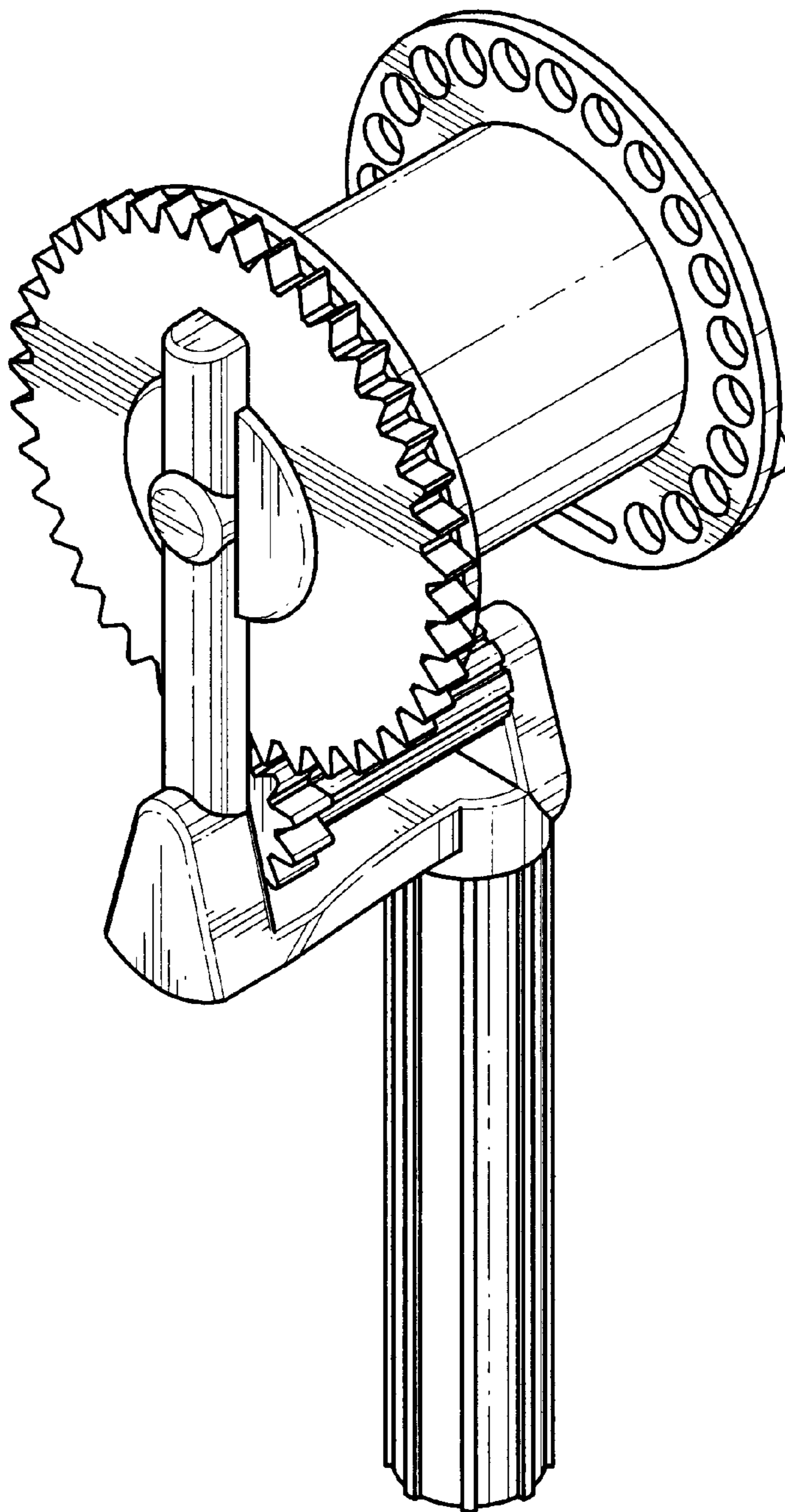


FIG. 1

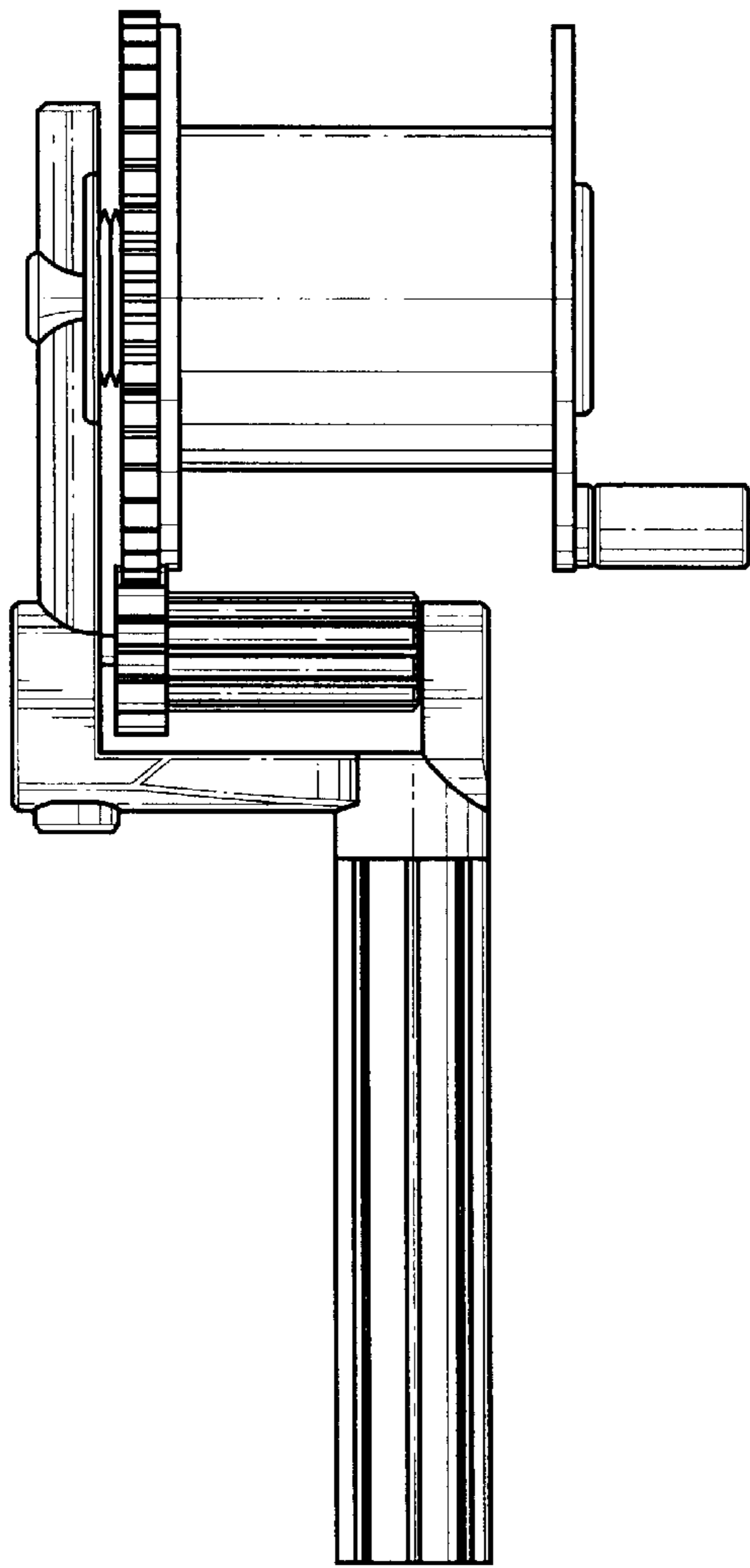


FIG. 2

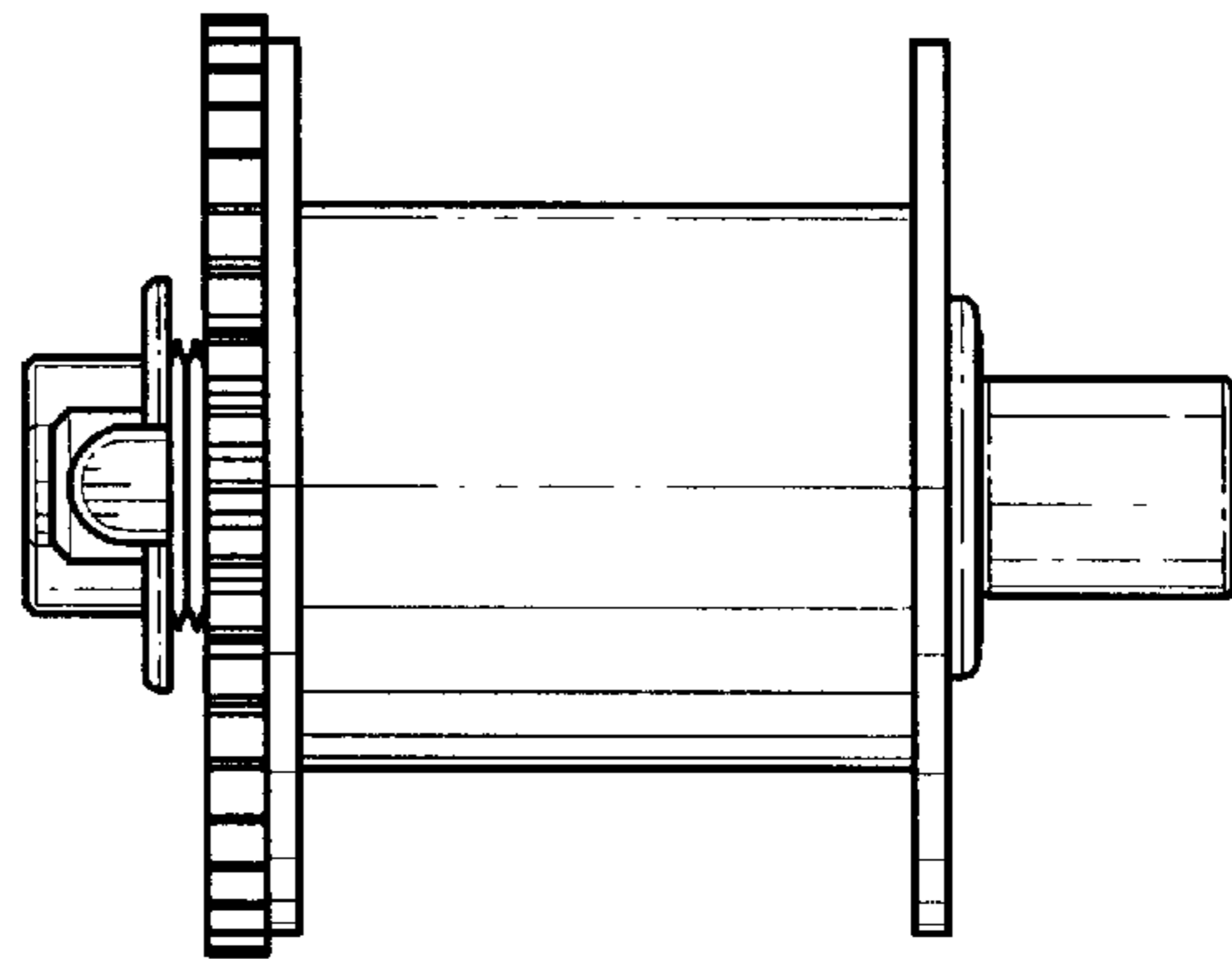


FIG. 3

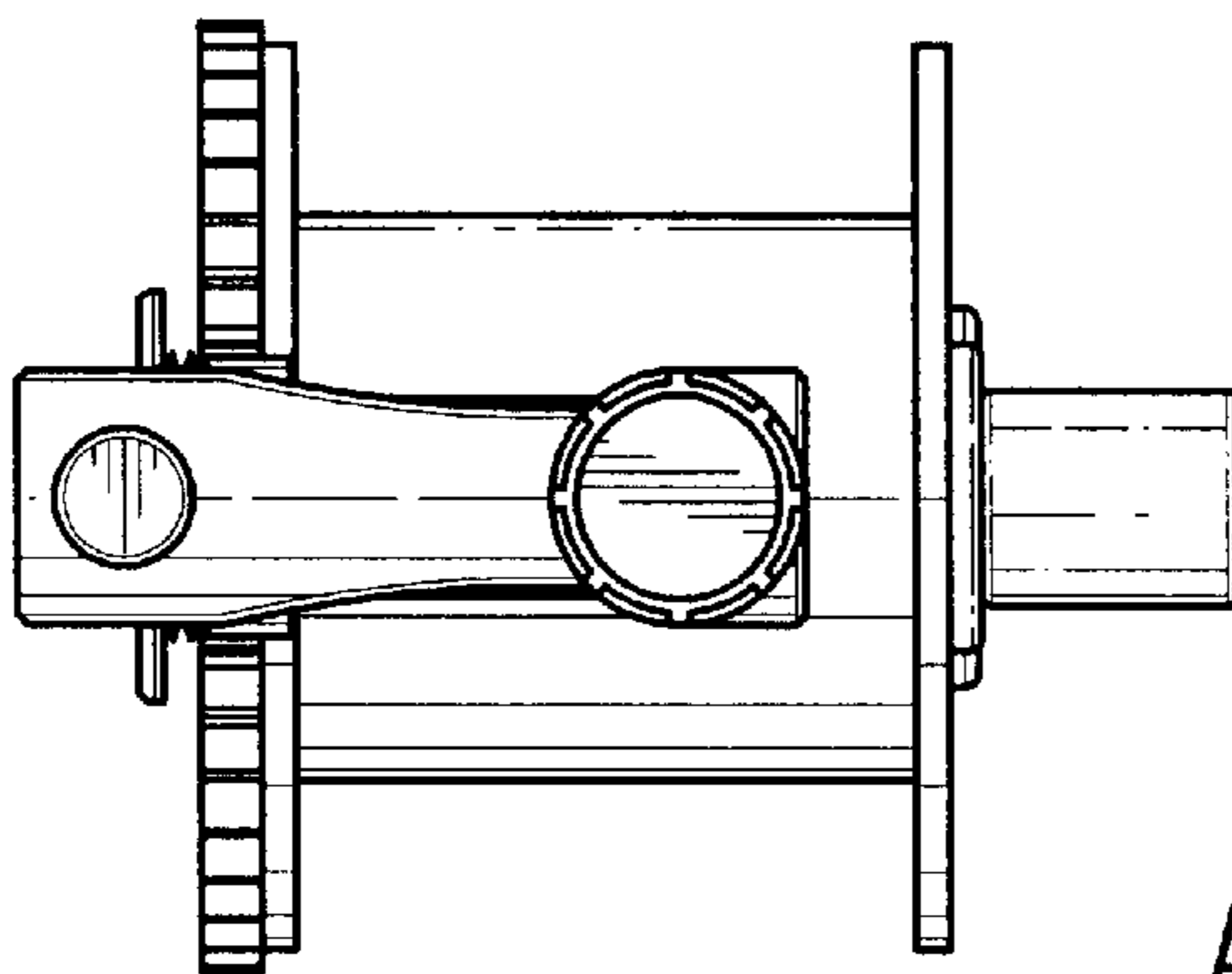


FIG. 4

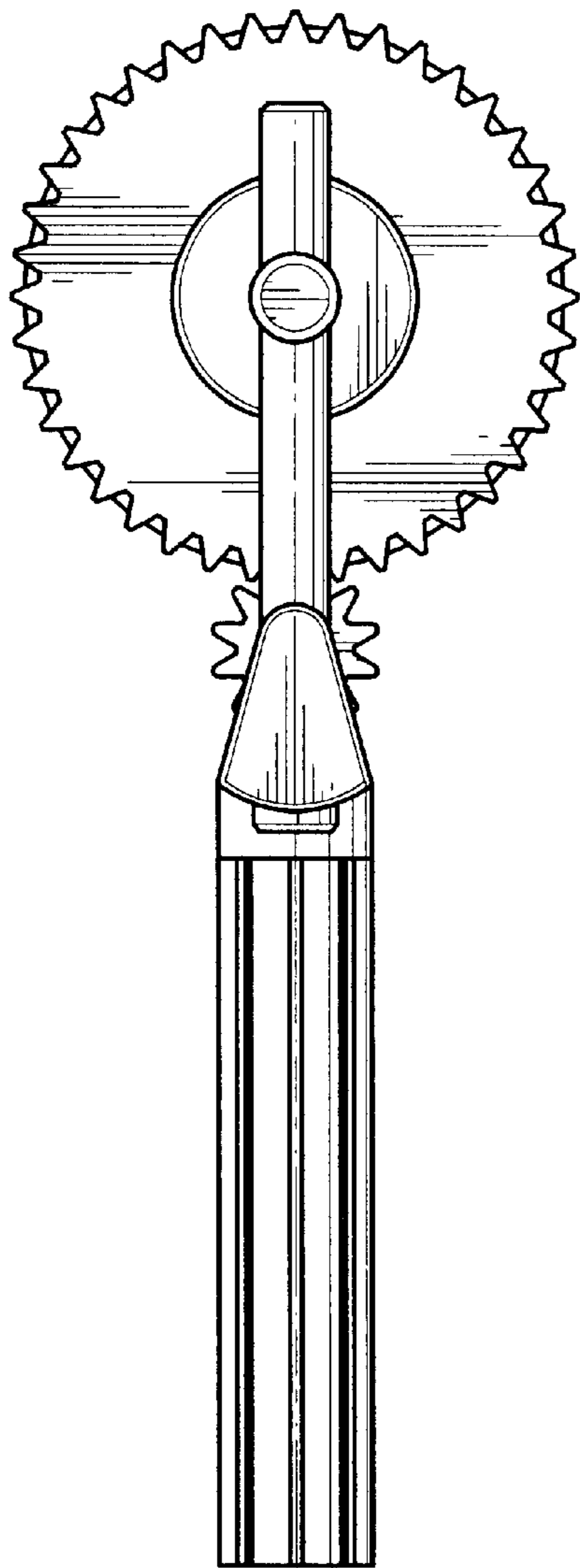


FIG. 5

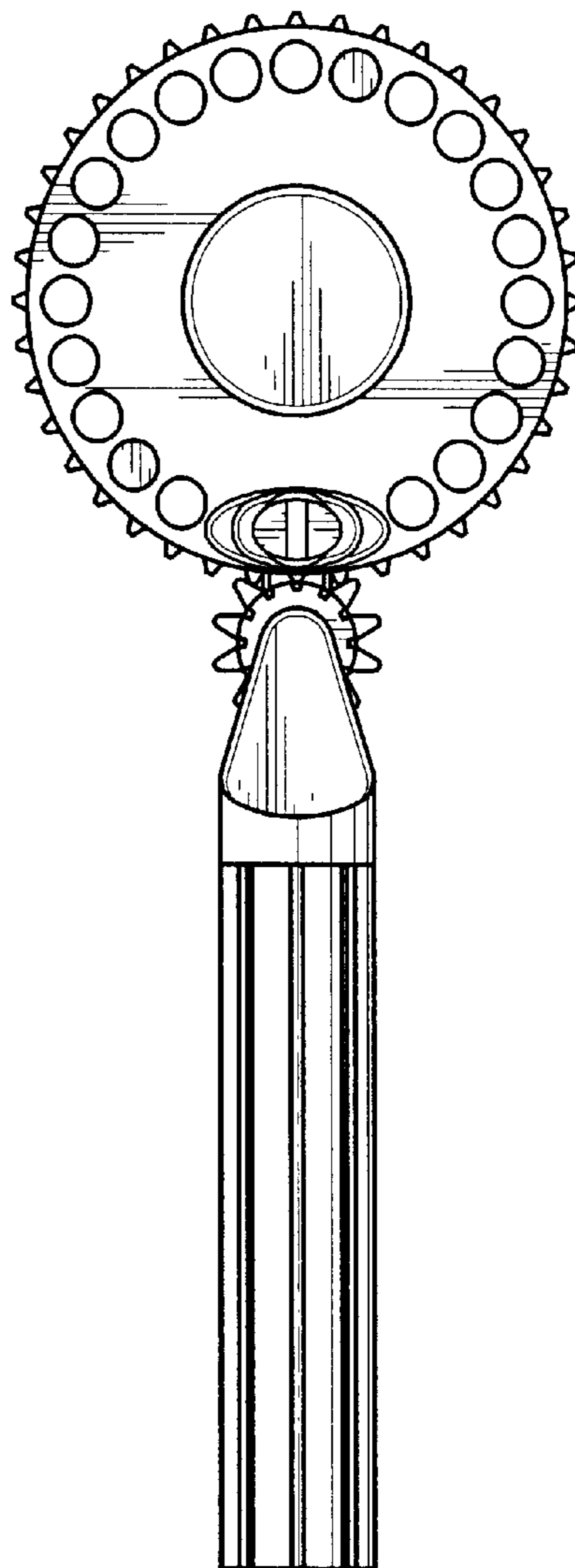


FIG. 6