



US00D538629S

(12) **United States Design Patent**
Livacich

(10) **Patent No.:** **US D538,629 S**

(45) **Date of Patent:** **** Mar. 20, 2007**

(54) **BRACKET**

(75) Inventor: **John Livacich**, Sunnyvale, CA (US)

(73) Assignee: **Evrio, Inc.**, Sunnyvale, CA (US)

(**) Term: **14 Years**

(21) Appl. No.: **29/231,280**

(22) Filed: **Jun. 1, 2005**

(51) **LOC (8) Cl.** **08-05**

(52) **U.S. Cl.** **D8/349**; D8/387; D8/388

(58) **Field of Classification Search** D8/349,
D8/354, 387-398; 411/383, 388, 502, 510,
411/548

See application file for complete search history.

(56) **References Cited**

U.S. PATENT DOCUMENTS

- 3,307,437 A * 3/1967 Sontag 81/124.4
- 4,878,793 A * 11/1989 Hewison 411/387.2
- 4,939,960 A * 7/1990 Kinzli 81/124.4

- D401,135 S * 11/1998 Willert D8/387
- D409,060 S * 5/1999 Lucy D8/24
- 6,662,688 B1 * 12/2003 Avery 81/124.5

* cited by examiner

Primary Examiner—Holly H. Baynham

(57) **CLAIM**

The ornamental design for a bracket, as shown and described.

DESCRIPTION

U.S. patent application Ser. Nos. 29/222,363, 29/231,279, 29/231,260 and 29/231,179.

FIG. 1 is a realistic perspective view of a bracket, showing my new design;

FIG. 2 is a left view thereof;

FIG. 3 is a right view thereof;

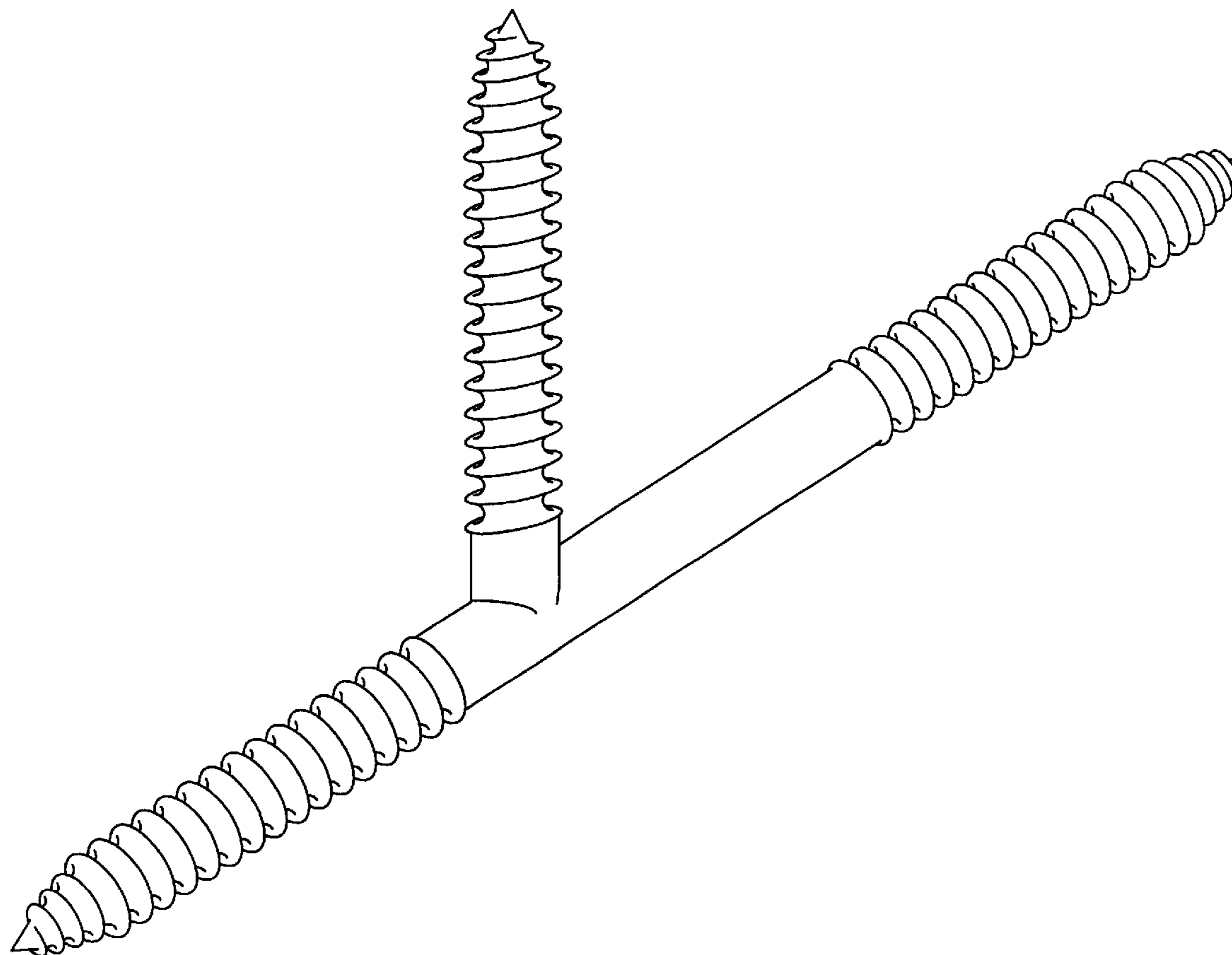
FIG. 4 is a top view thereof;

FIG. 5 is a bottom view thereof;

FIG. 6 is a front view thereof; and,

FIG. 7 is a back view thereof.

1 Claim, 3 Drawing Sheets



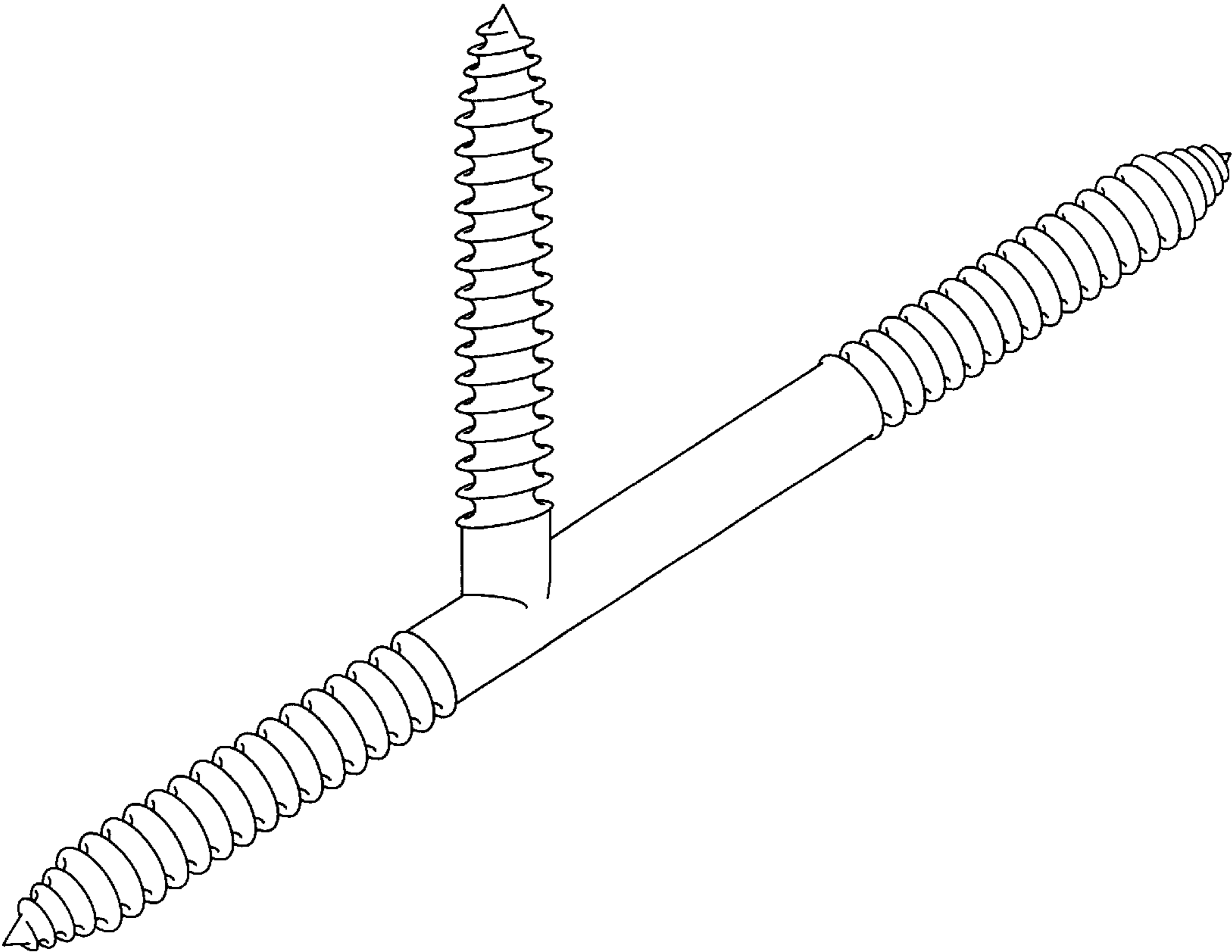


Fig 1

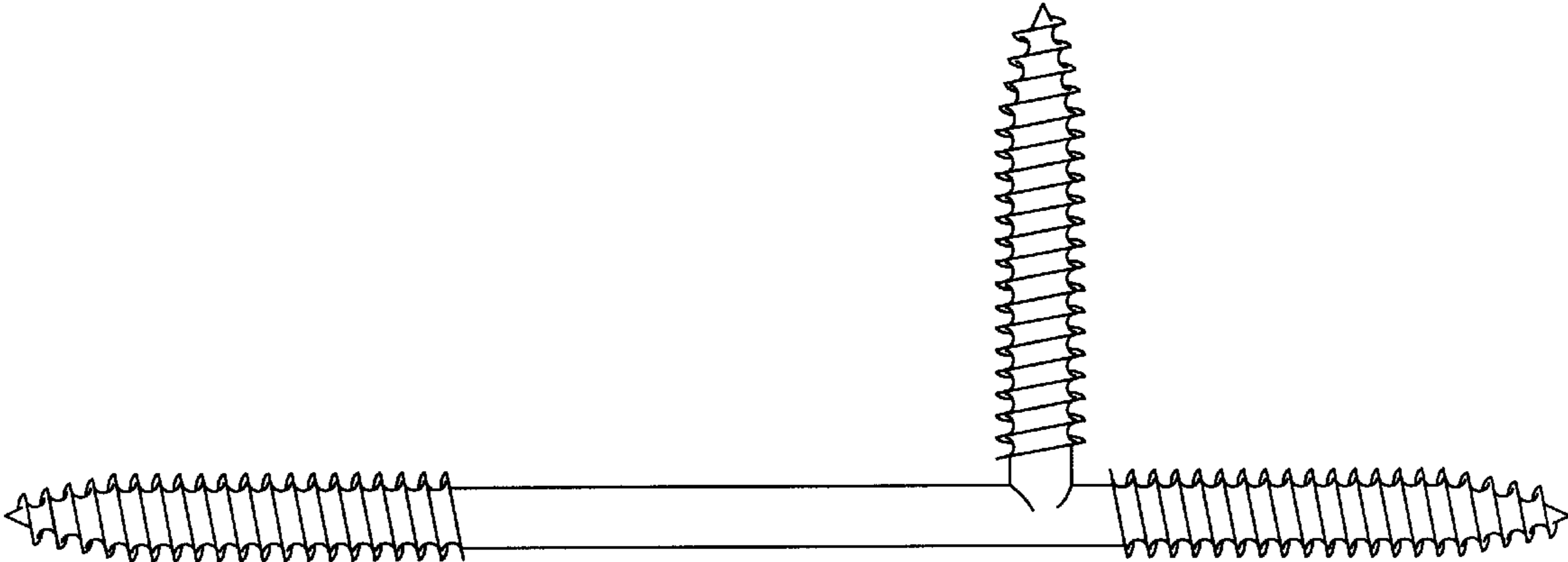


Fig 2

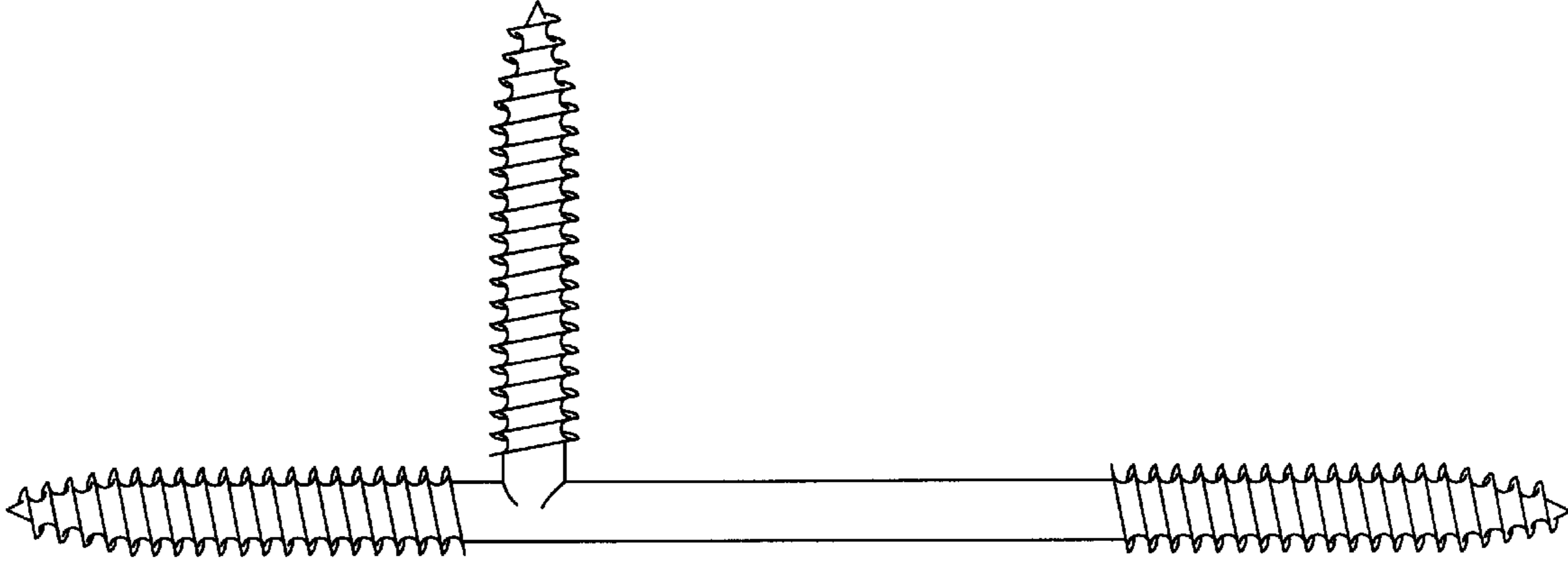


Fig 3

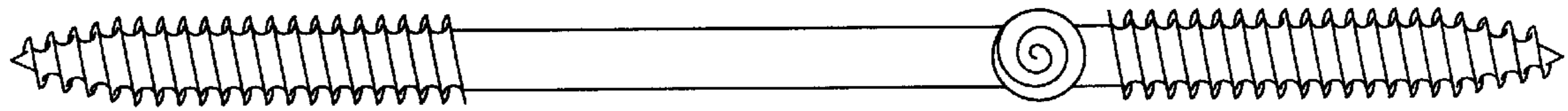


Fig 4

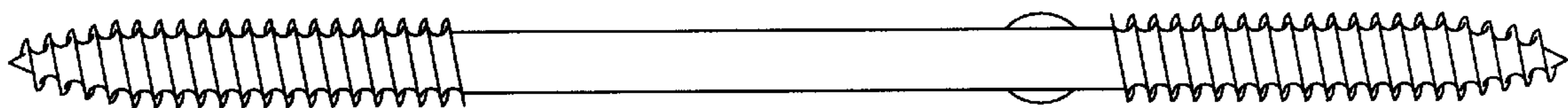


Fig 5

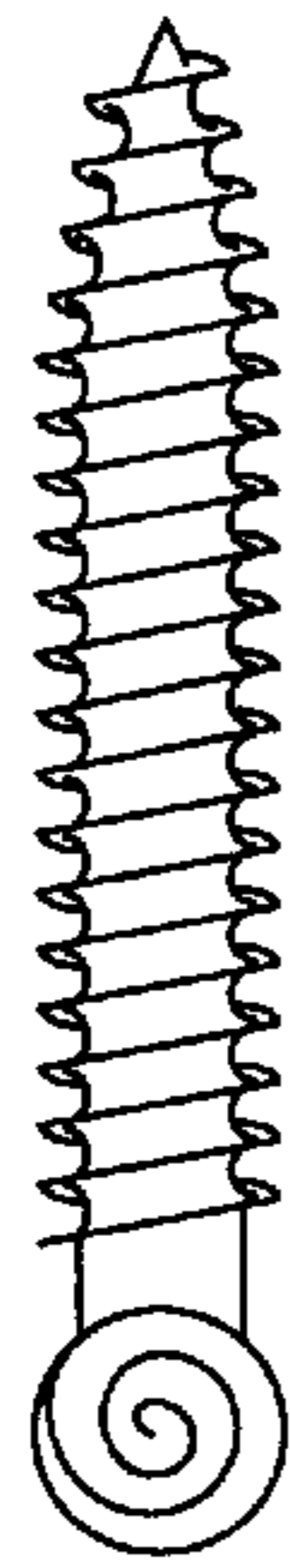


Fig 6



Fig 7