



US00D538628S

(12) **United States Design Patent**
O. Johansson

(10) **Patent No.:** **US D538,628 S**

(45) **Date of Patent:** **** *Mar. 20, 2007**

(54) **KEY GRIP**

(75) Inventor: **Jens O. Johansson**, Stockholm (SE)

(73) Assignee: **Assa Abloy AB**, Stockholm (SE)

(*) Notice: This patent is subject to a terminal disclaimer.

(**) Term: **14 Years**

(21) Appl. No.: **29/221,244**

(22) Filed: **Jan. 14, 2005**

(30) **Foreign Application Priority Data**

Jul. 16, 2004 (EP) 000208244

(51) **LOC (8) Cl.** **08-07**

(52) **U.S. Cl.** **D8/347**

(58) **Field of Classification Search** D8/347,
D8/343, 330, 331; 70/14, 51, 285, 336.34,
70/344-348, 357, 361, 369, 382, 389, 393,
70/408, 413, 423, 429, 430, 460, 465, DIG. 47,
70/DIG. 46; 362/100

See application file for complete search history.

(56) **References Cited**

U.S. PATENT DOCUMENTS

D252,732 S * 8/1979 Price D8/347
4,336,701 A * 6/1982 Raymond 70/395
D271,279 S * 11/1983 Cziment D8/347
D343,783 S * 2/1994 Zaugg et al. D8/347
5,311,757 A * 5/1994 Spahn 70/408
5,433,096 A * 7/1995 Janssen et al. 70/278.3

D361,031 S * 8/1995 Marthaler D8/347
5,442,943 A * 8/1995 Schremmer et al. 70/252
5,832,761 A * 11/1998 Chen 70/395
6,637,245 B1 * 10/2003 Bolton 70/408
D507,958 S * 8/2005 Freeman et al. D8/347

OTHER PUBLICATIONS

Assa Catalog, 1984, p. 22.*

* cited by examiner

Primary Examiner—Prabhakar Deshmukh

(74) *Attorney, Agent, or Firm*—Sughrue Mion, PLLC

(57) **CLAIM**

The ornamental design for a key grip, as shown and described.

DESCRIPTION

FIG. 1 is a perspective view of the top, front and right side of a key grip showing my new design;

FIG. 2 is a perspective view of the bottom, rear and left side thereof;

FIG. 3 is a front elevational view thereof;

FIG. 4 is a rear elevational view thereof;

FIG. 5 is a right side elevational view thereof;

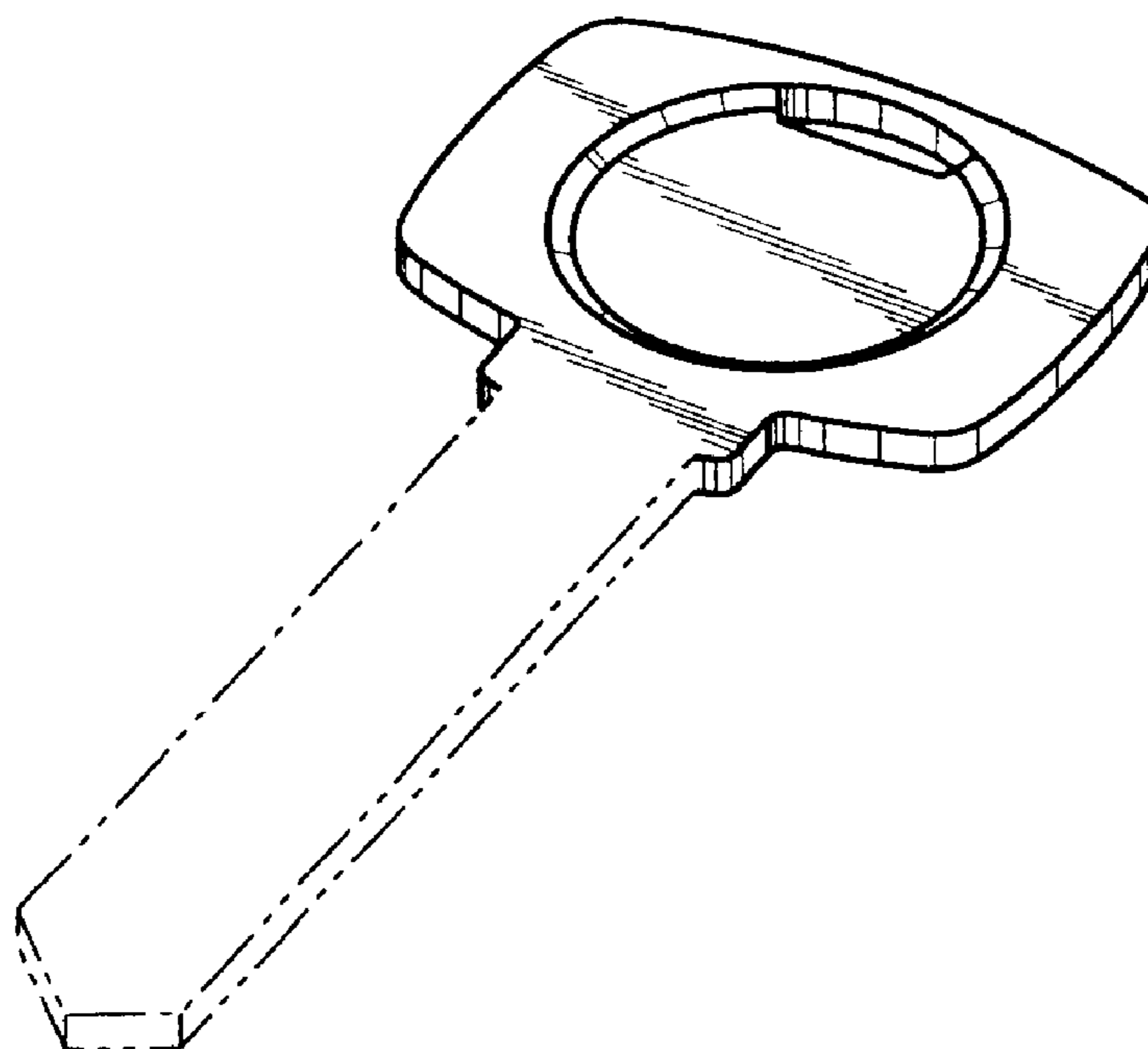
FIG. 6 is a left side elevational view thereof;

FIG. 7 is a top plan view thereof; and,

FIG. 8 is a bottom plan view thereof.

The broken lines, which define the bounds of the claimed design, form no part thereof. The broken lines environmental are for illustrative purpose only and form no part of the claimed design.

1 Claim, 3 Drawing Sheets



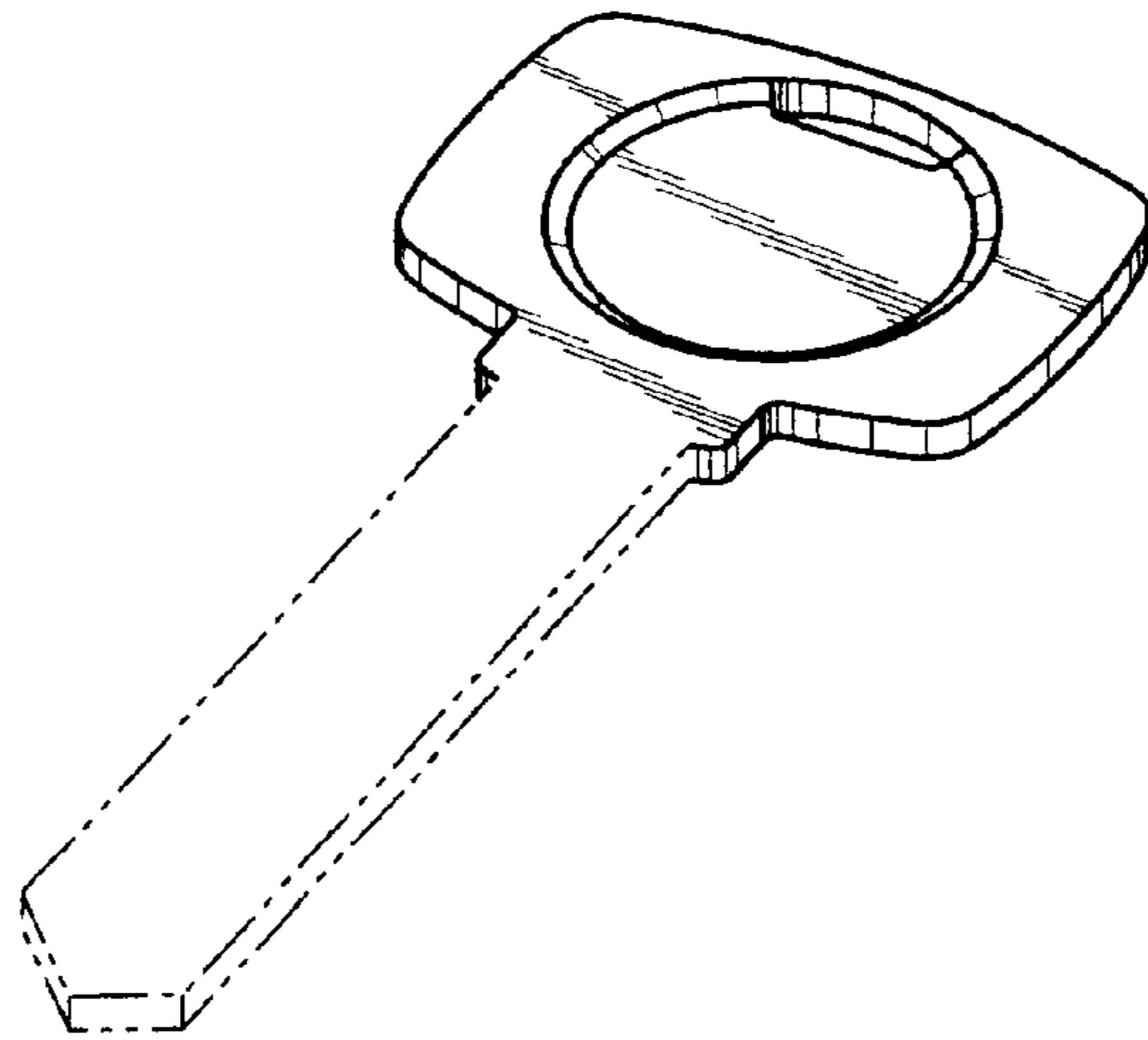


Fig. 1

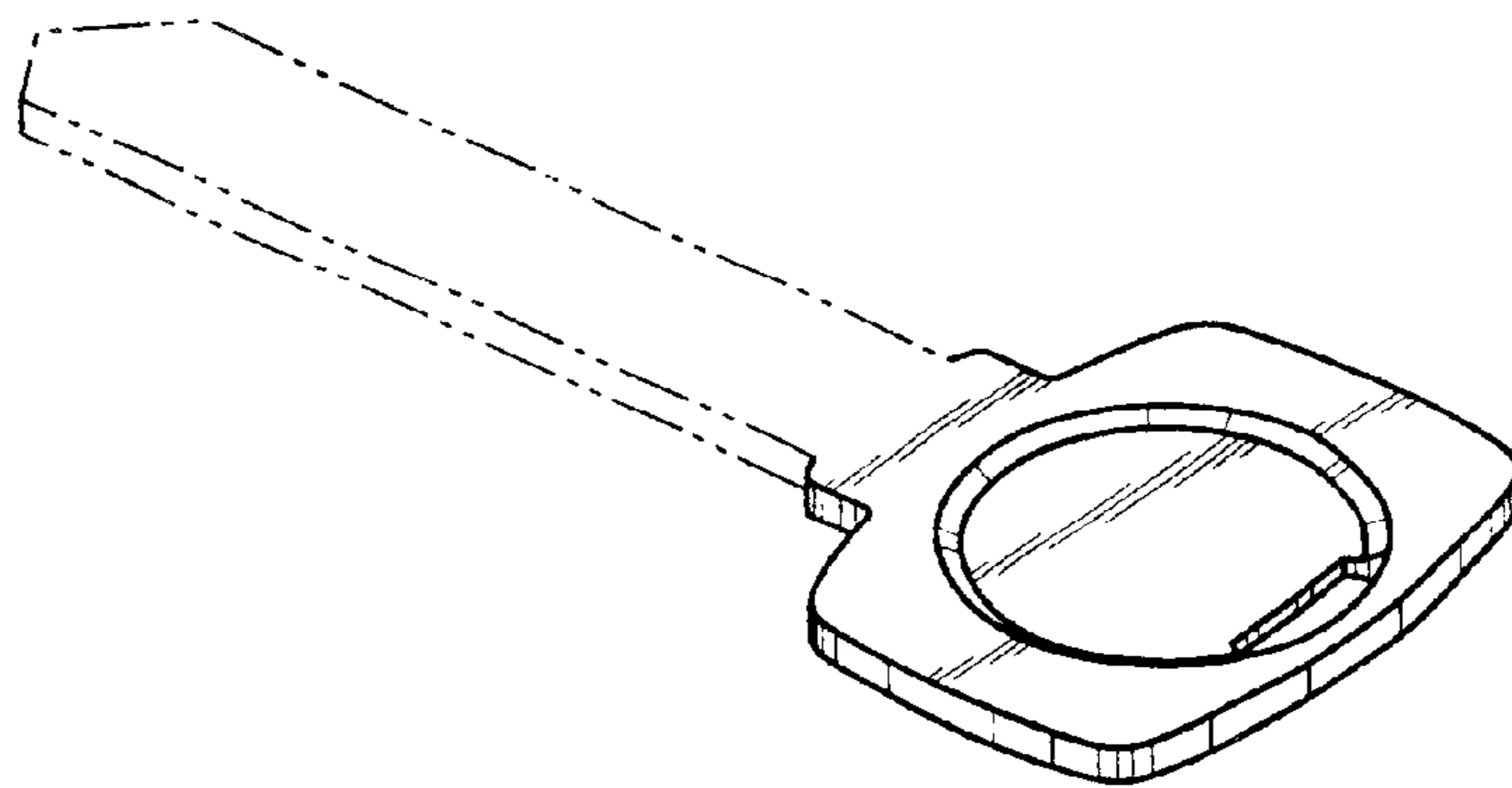


Fig. 2

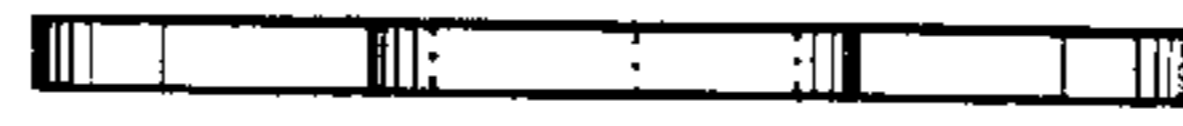


Fig. 3

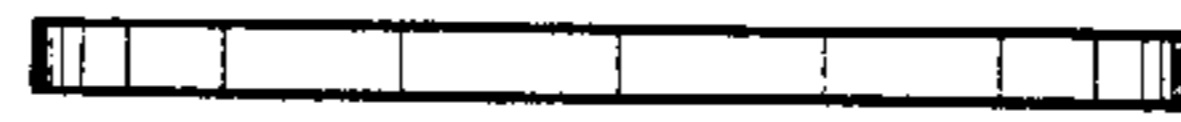


Fig. 4

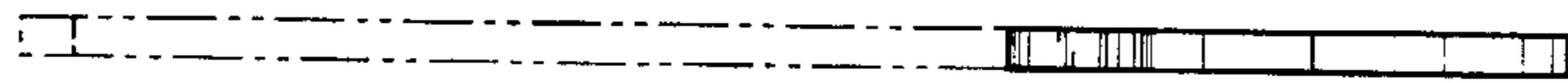


Fig. 5

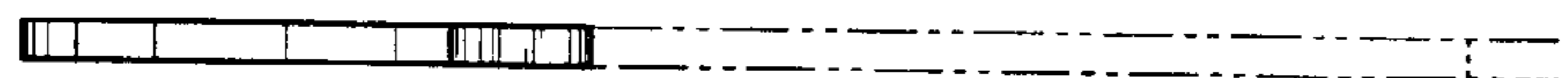


Fig. 6

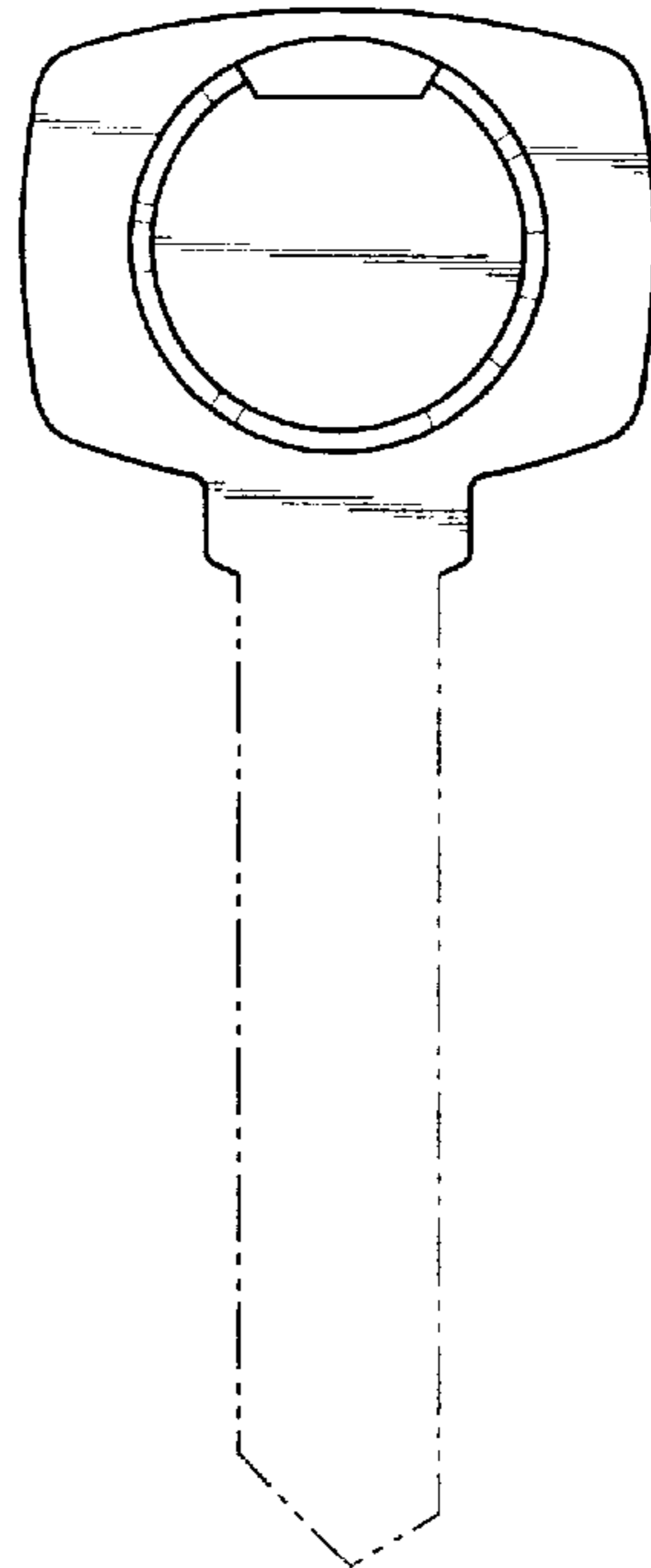


Fig. 7

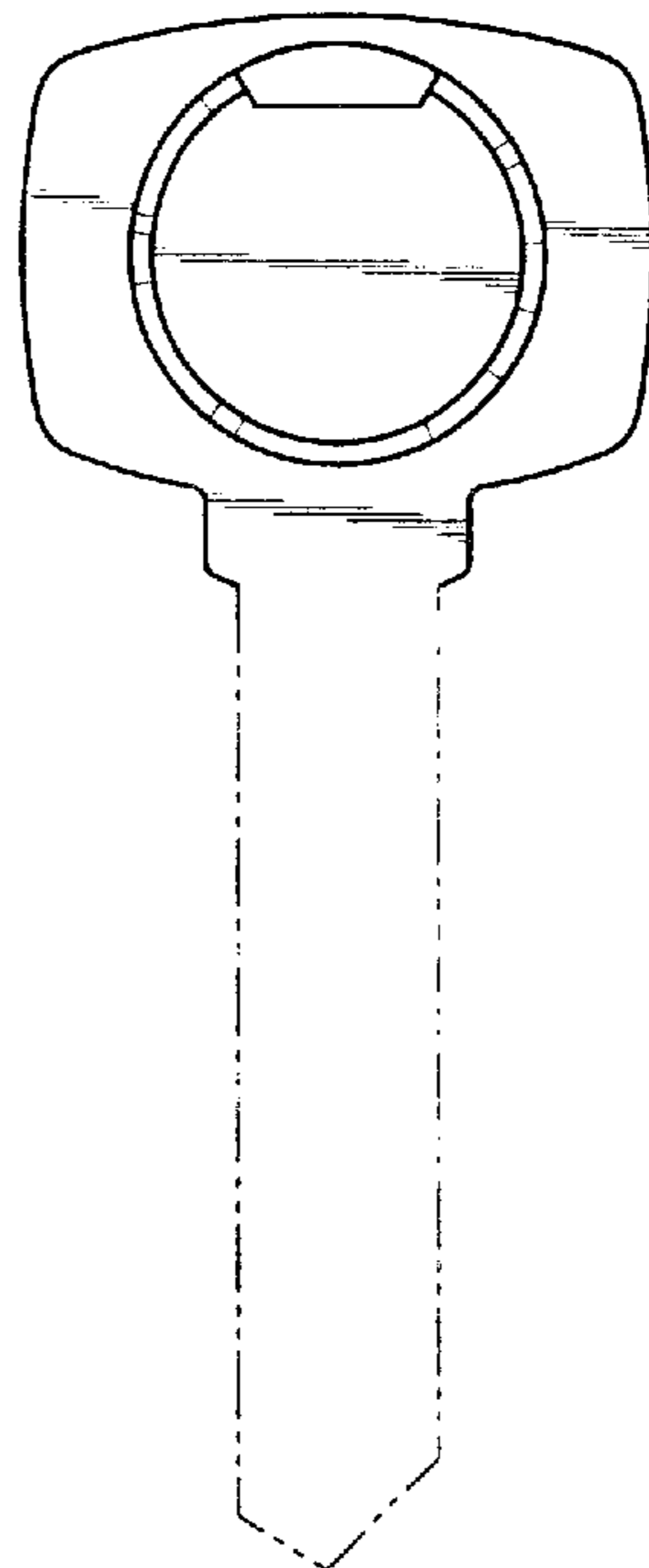


Fig. 8