



US00D538624S

(12) **United States Design Patent**
Pozgay et al.

(10) **Patent No.:** **US D538,624 S**

(45) **Date of Patent:** **** Mar. 20, 2007**

(54) **HANDLE FOR ROTARY TOOL**

(75) Inventors: **David Pozgay**, Evanston, IL (US);
Bradley Wolf, Glenview, IL (US)

(73) Assignee: **Credo Technology Corporation**,
Wilmington, DE (US)

(**) Term: **14 Years**

(21) Appl. No.: **29/213,987**

(22) Filed: **Sep. 24, 2004**

(51) **LOC (8) Cl.** **08-05**

(52) **U.S. Cl.** **D8/107**

(58) **Field of Classification Search** D8/70,
D8/61, 67, 107; D16/243, 242, 250, 231,
D16/234, 206

See application file for complete search history.

(56) **References Cited**

U.S. PATENT DOCUMENTS

- D316,556 S * 4/1991 Reddig et al. D16/209
- D362,752 S * 10/1995 Steurer D3/255
- D386,310 S * 11/1997 Smith D3/327
- D406,943 S * 3/1999 Chou D3/221
- 6,115,849 A * 9/2000 Meyerrose 2/452

- D463,126 S * 9/2002 Sinclair et al. D3/327
- 2003/0000986 A1 * 1/2003 Smith 224/637
- 2003/0127060 A1 * 7/2003 Yeung 119/497

* cited by examiner

Primary Examiner—Alan P. Douglas

Assistant Examiner—Barbara Fox

(74) *Attorney, Agent, or Firm*—Victor A. Henzi

(57) **CLAIM**

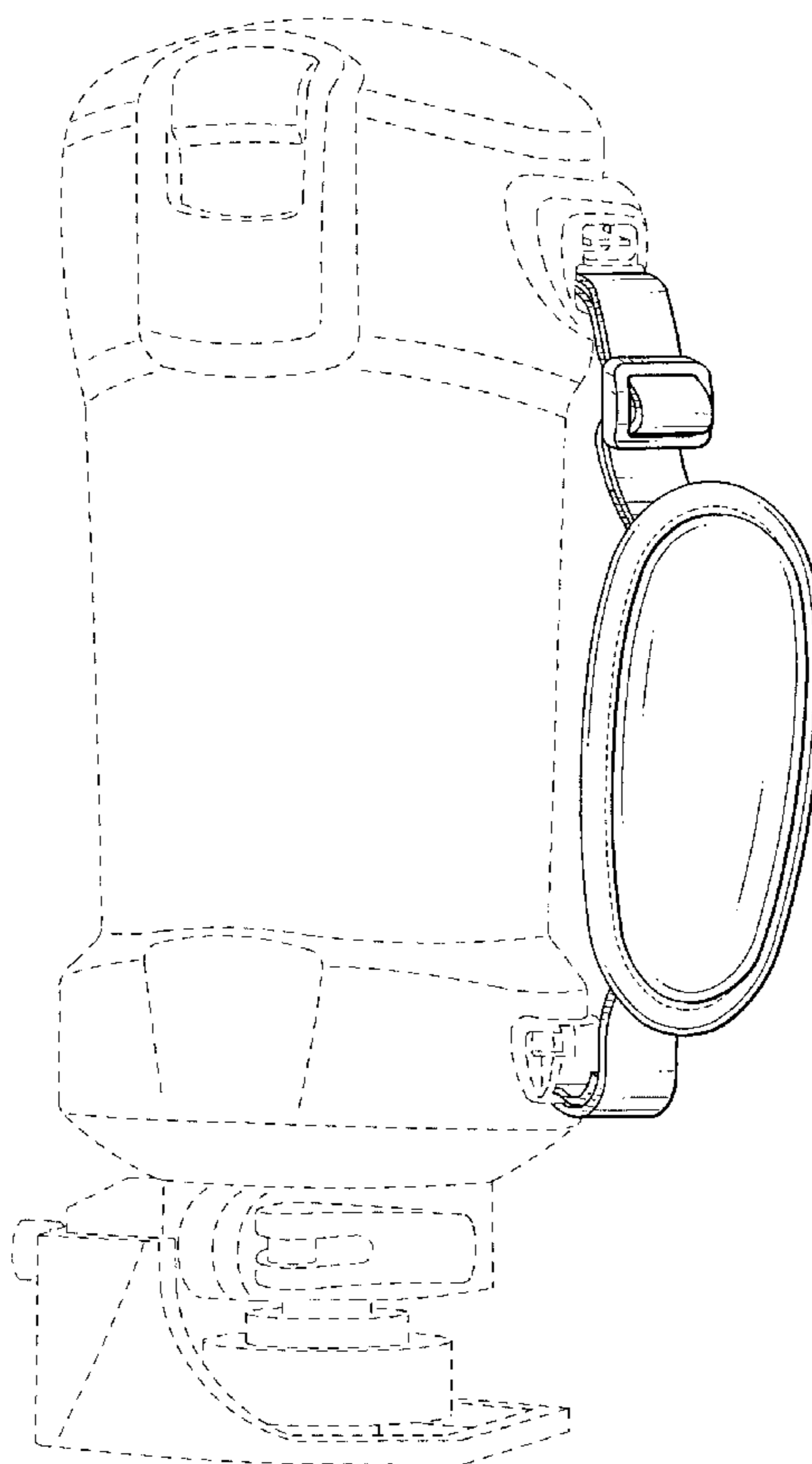
The ornamental design for a handle for rotary tool, as shown and described.

DESCRIPTION

FIG. 1 is a top left perspective view of the present new design for a handle for rotary tool;
 FIG. 2 is a top plan view thereof;
 FIG. 3 is a bottom plan view thereof;
 FIG. 4 is a left elevational view thereof, the right elevational view being a mirror image thereof;
 FIG. 5 is a front elevational view thereof; and,
 FIG. 6 is a rear elevational view thereof.

The broken lines showing various features of a handle for rotary tool are for illustrative purposes only and form no part of the claimed design.

1 Claim, 3 Drawing Sheets



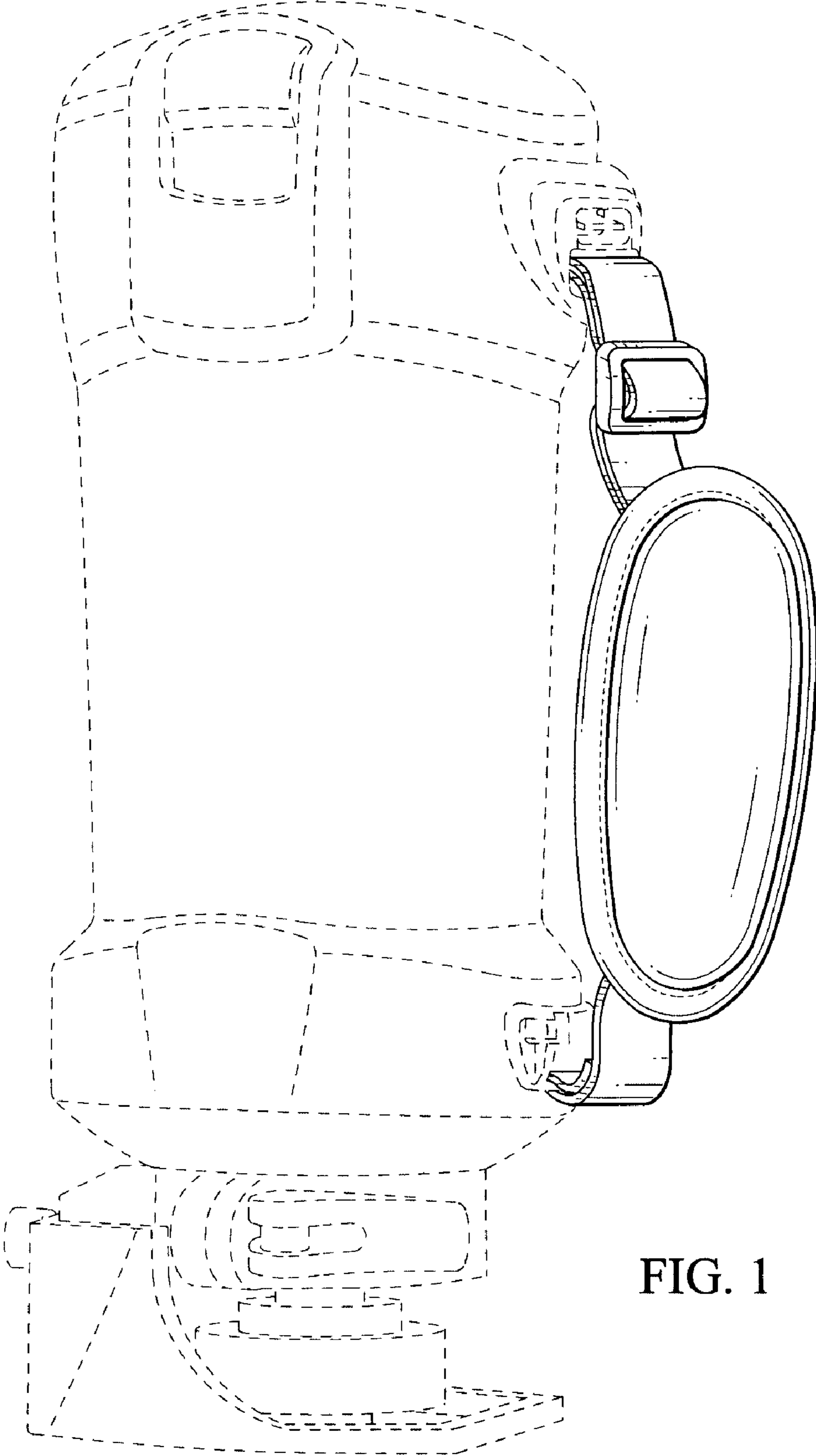


FIG. 1

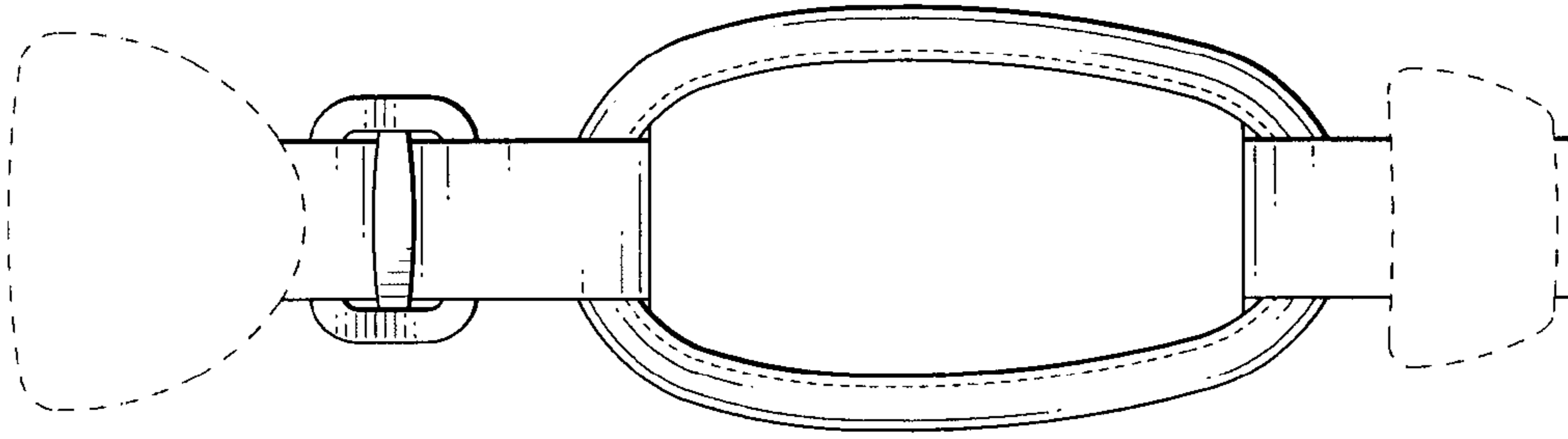


FIG. 3

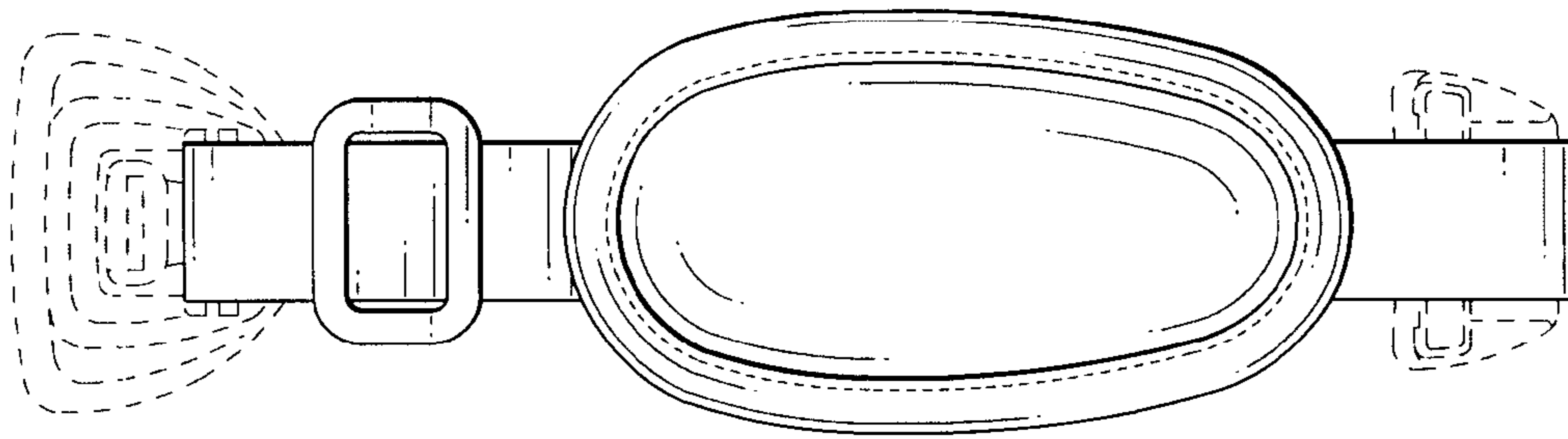


FIG. 2

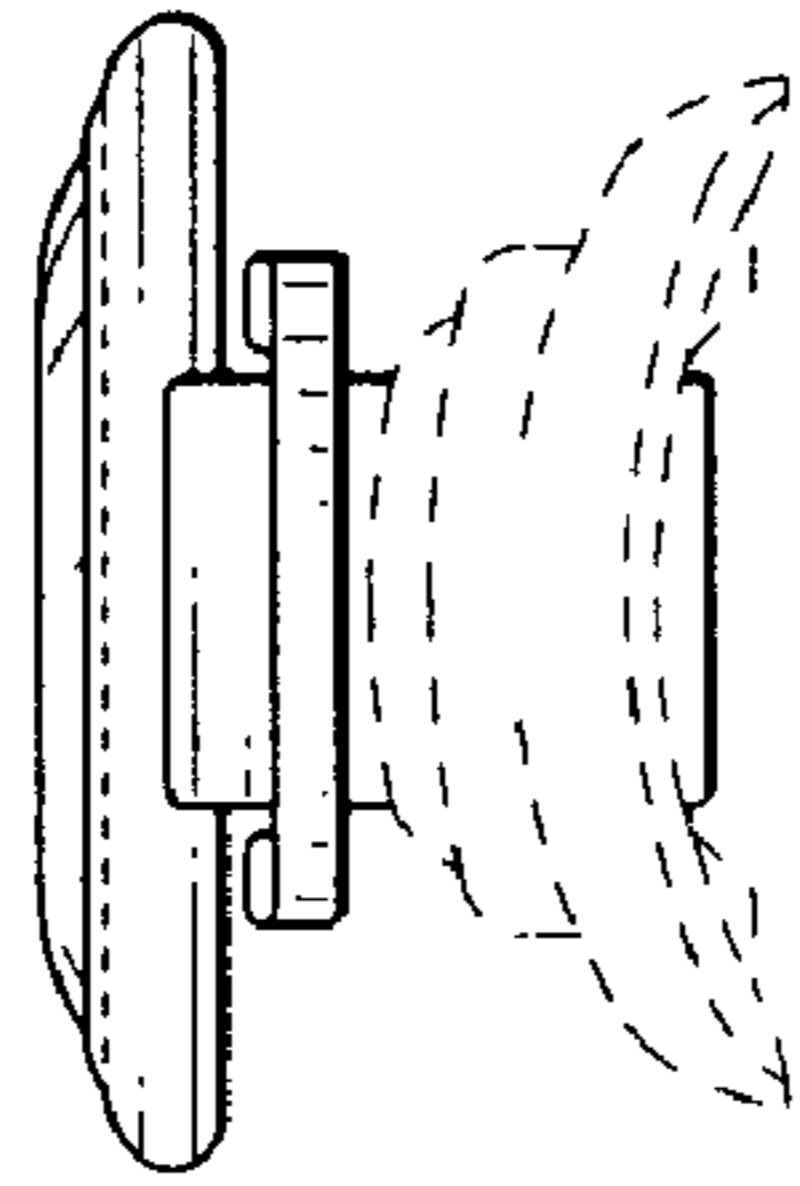
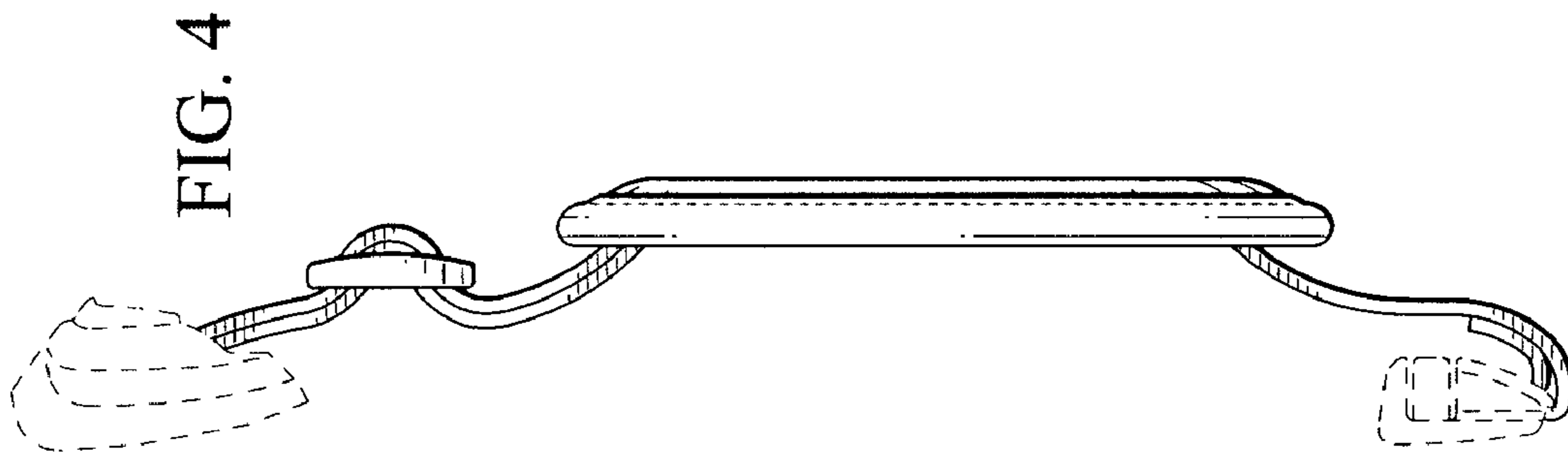


FIG. 5

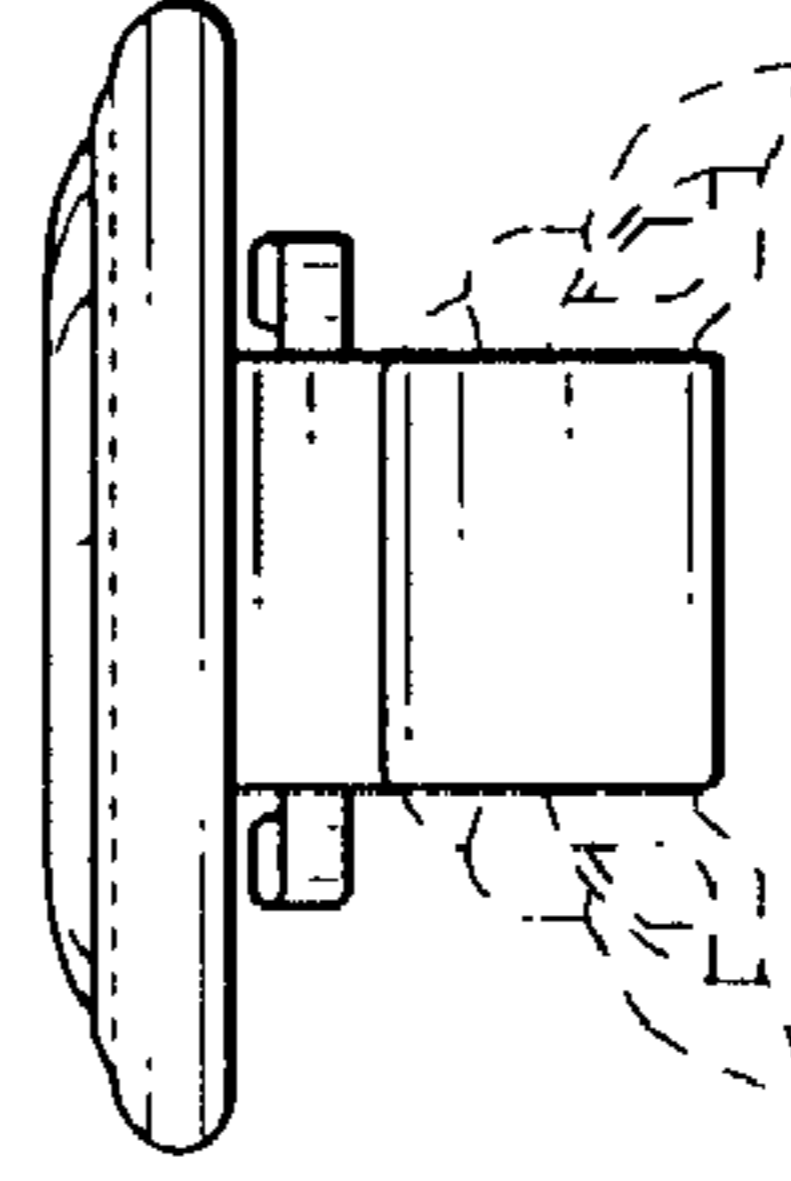


FIG. 6