



US00D538621S

(12) **United States Design Patent**
Van Es

(10) **Patent No.:** **US D538,621 S**
(45) **Date of Patent:** **** Mar. 20, 2007**

(54) **WEDGE CLAMP**

(76) **Inventor:** **Anton Van Es**, c/o 4664 Ontario Street,
Beamsville, Ontario (CA), L0R 1B4

(**) **Term:** **14 Years**

(21) **Appl. No.:** **29/239,215**

(22) **Filed:** **Sep. 28, 2005**

(51) **LOC (8) Cl.** **08-05**

(52) **U.S. Cl.** **D8/72**

(58) **Field of Classification Search** D8/394,
D8/396, 72, 383, 356; 269/217, 87.3, 234;
140/113; 81/339, 333; 24/268, 136 K, 16 PB;
174/40 CC, 40 TD; 403/369; 248/299.11,
248/63; 89/1.819; 439/783; 385/100; 29/897.35;
379/328, 397, 450; D13/149

See application file for complete search history.

(56) **References Cited**

U.S. PATENT DOCUMENTS

146,207	A	*	1/1874	Schneider	403/293
D32,094	S	*	1/1900	Hoglund	D8/383
D32,827	S	*	6/1900	Gilbert	D8/383
D49,673	S	*	9/1916	Peister	D8/396
D173,827	S	*	1/1955	Woerner	D8/396
3,212,534	A	*	10/1965	Broske	140/113
3,238,580	A	*	3/1966	Arai	24/16 PB
3,280,856	A	*	10/1966	Broske et al.	140/113
3,304,962	A	*	2/1967	Broske	140/113
3,351,986	A	*	11/1967	Johnson	403/369
D233,504	S	*	11/1974	Wildman	D8/72
4,155,286	A	*	5/1979	Mihm	89/1.819
4,279,461	A	*	7/1981	Bussen et al.	439/783
4,775,121	A	*	10/1988	Carty	248/68.1
5,073,680	A	*	12/1991	Kennedy	174/40 TD
5,092,663	A	*	3/1992	Hivner	385/100
D328,564	S	*	8/1992	Densley	D8/383
5,199,137	A	*	4/1993	Edwards	24/136 K
5,226,620	A	*	7/1993	Libert	248/63
5,336,846	A	*	8/1994	Sachs	174/40 CC
5,538,446	A	*	7/1996	Diniz et al.	439/783

5,774,987	A	*	7/1998	Chadbourne et al.	29/897.35
6,371,685	B1	*	4/2002	Weems et al.	403/374.3
6,390,861	B1	*	5/2002	DeFrance	439/783
6,979,236	B1	*	12/2005	Stanton	439/783
2006/0027721	A1	*	2/2006	Tamm et al.	248/229.11

OTHER PUBLICATIONS

Wedge Clamp for Figure-8 Drop Wire WDE-1600, Performed Line Products—Outside Plant Series Aug. 2001, (accessed: www.preformed.com/artsfest/files/AppProc/SP2928.pdf).*

* cited by examiner

Primary Examiner—Louis Zarfaz
Assistant Examiner—David Muller

(57) **CLAIM**

The ornamental design for a wedge clamp, as shown.

DESCRIPTION

FIG. 1 is a upper perspective assembled view of the wedge clamp.

FIG. 2 is a upper plan view of the male portion of the wedge clamp.

FIG. 3 is a side plan view of the male portion of the wedge clamp.

FIG. 4 is a top end view of the male portion of the wedge clamp.

FIG. 5 is a bottom end view of the male portion of the wedge clamp.

FIG. 6 is a upper plan view of the female portion of the wedge clamp.

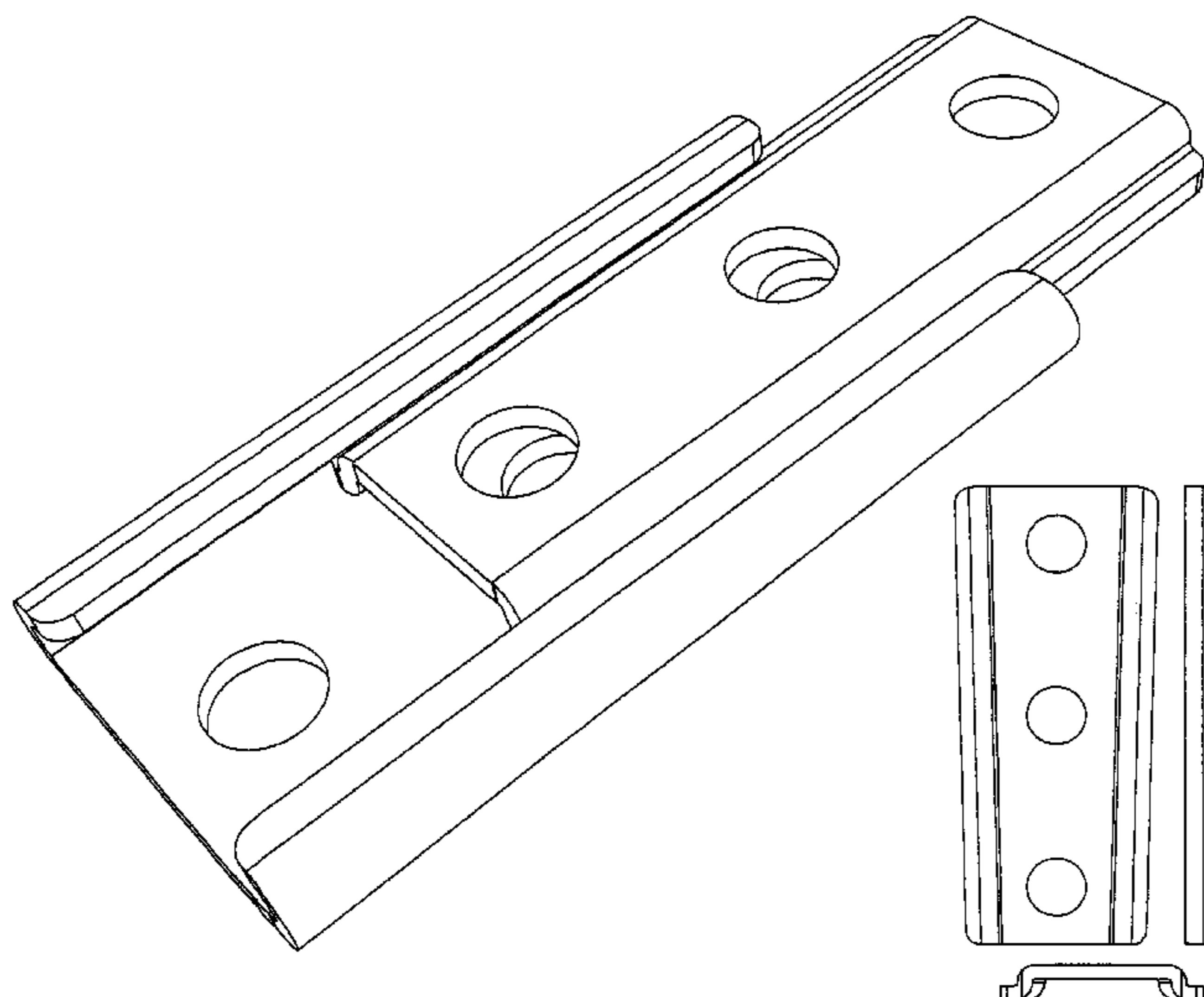
FIG. 7 is a side plan view of the female portion of the wedge clamp.

FIG. 8 is a top end view of the female portion of the wedge clamp.

FIG. 9 is a bottom end view of the female portion of the wedge clamp; and,

FIG. 10 is a top end view of the assembled wedge clamp shown at a larger scale.

1 Claim, 3 Drawing Sheets



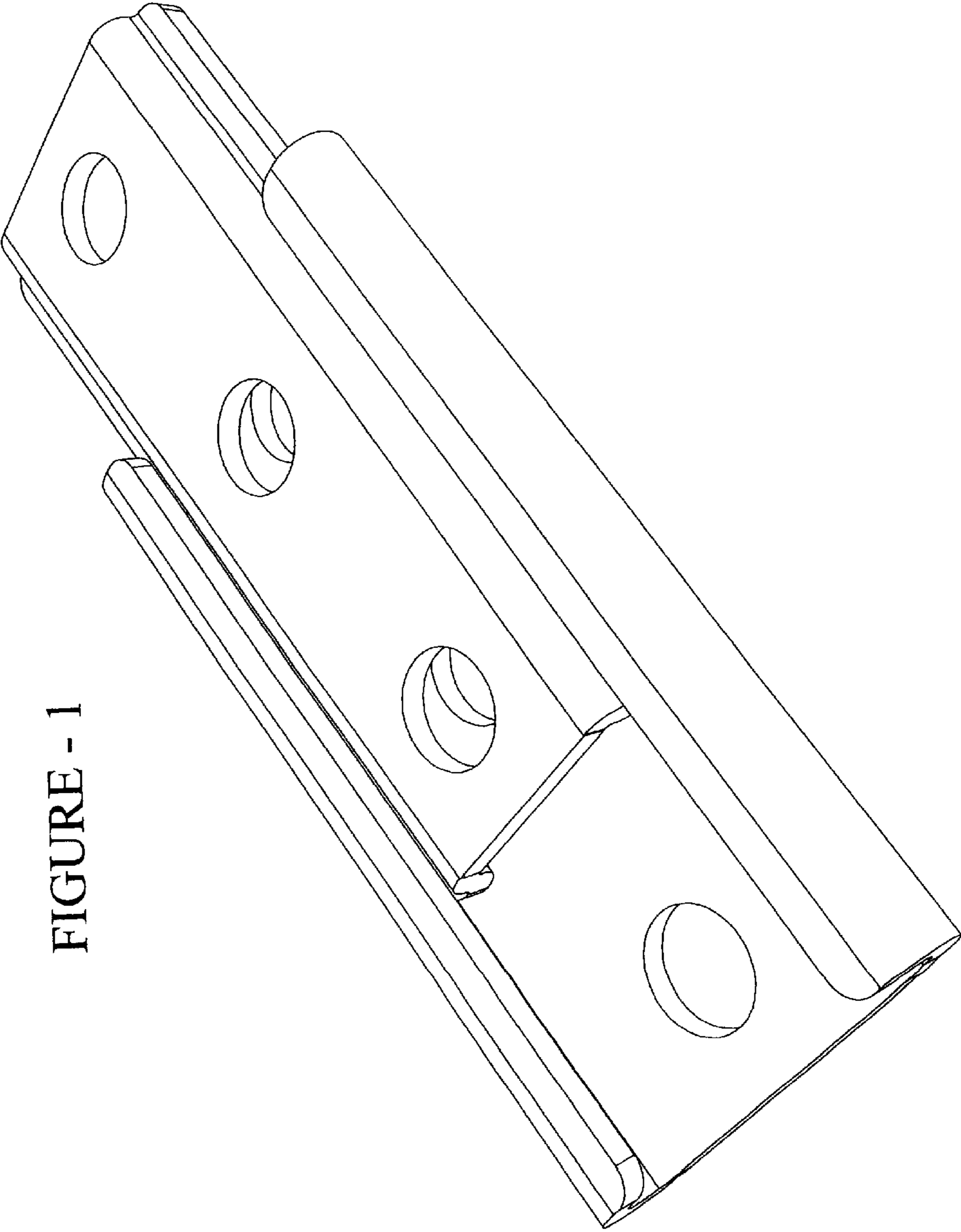


FIGURE - 1

FIGURE - 4

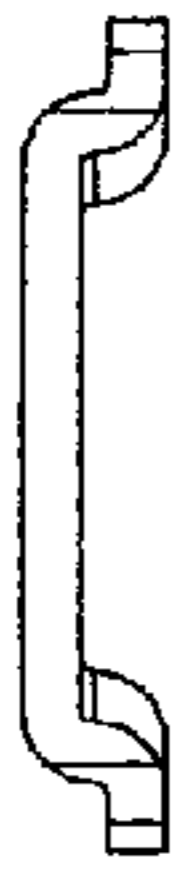


FIGURE - 8

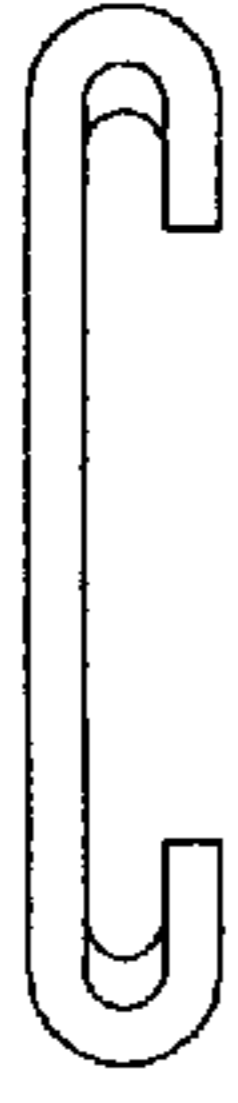


FIGURE - 3

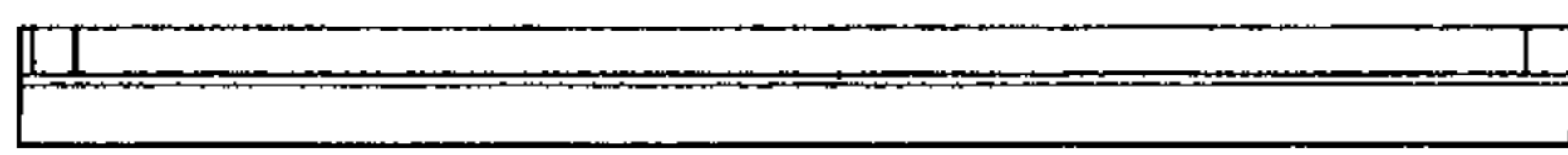


FIGURE - 2

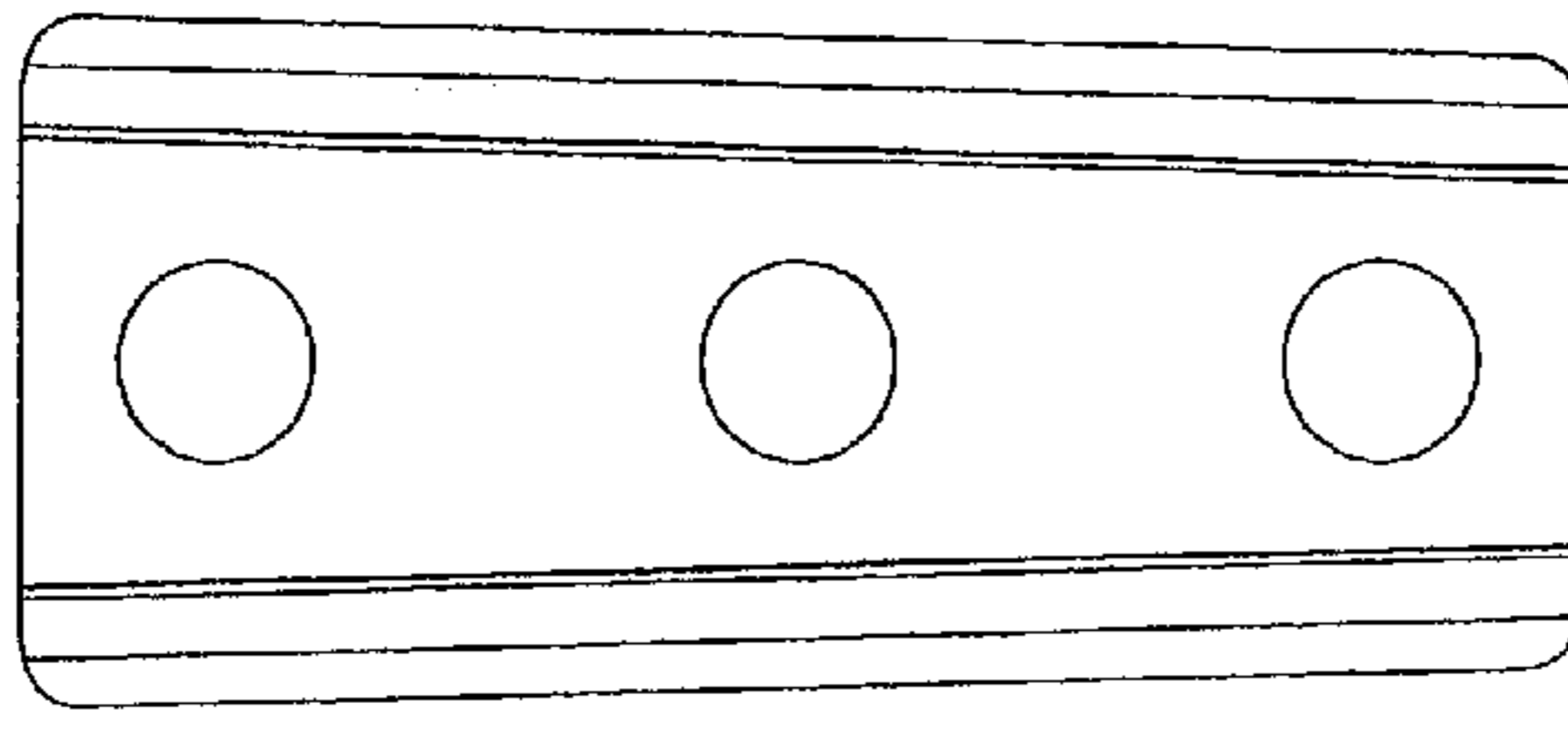


FIGURE - 7

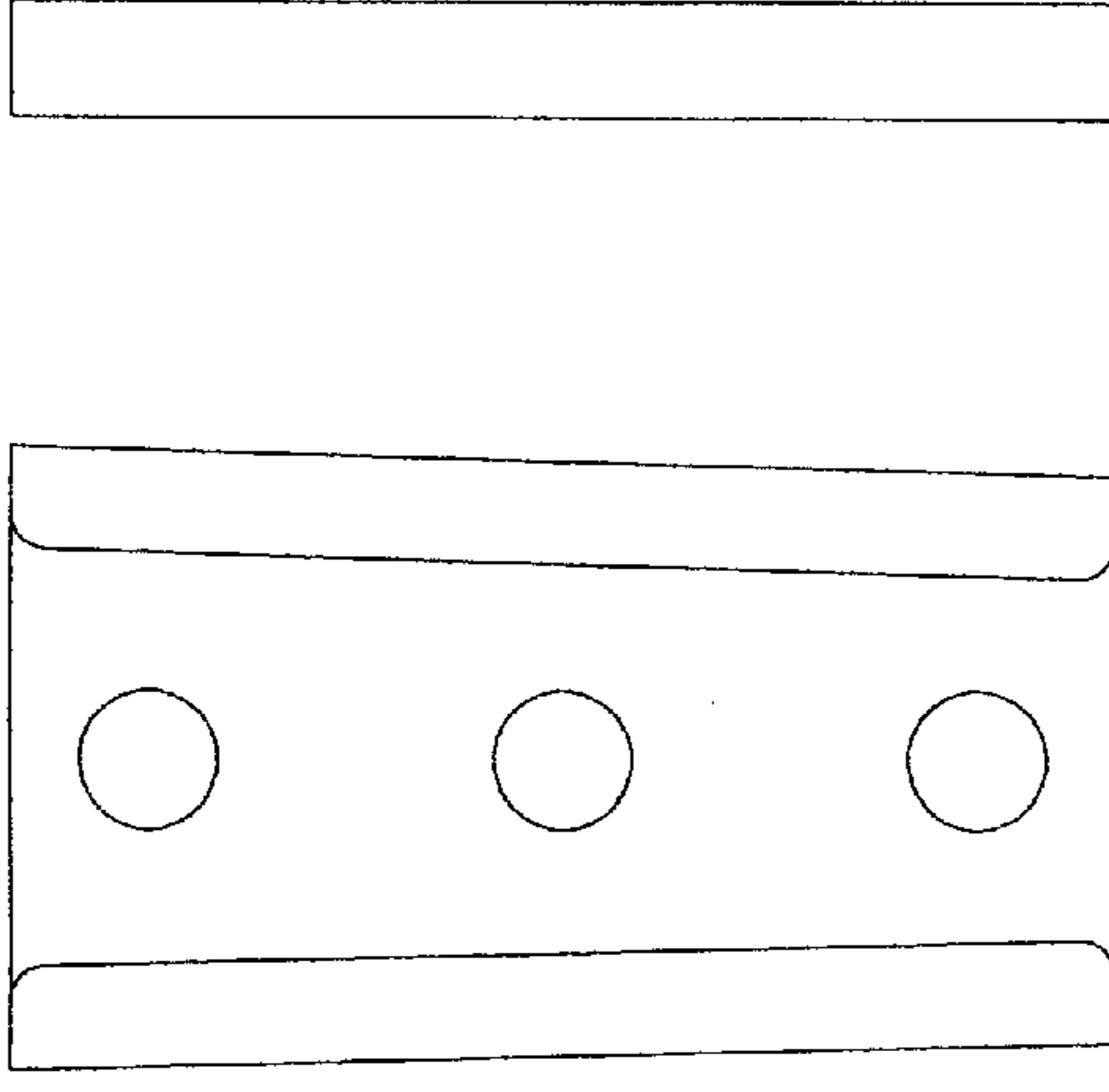


FIGURE - 6

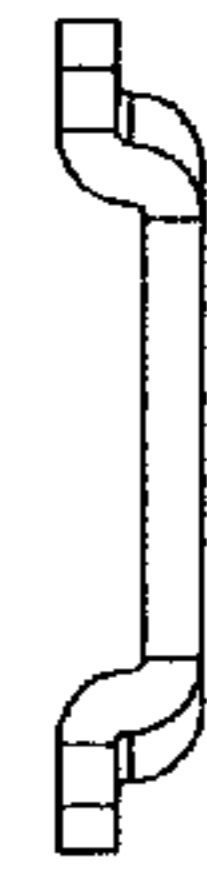


FIGURE - 5

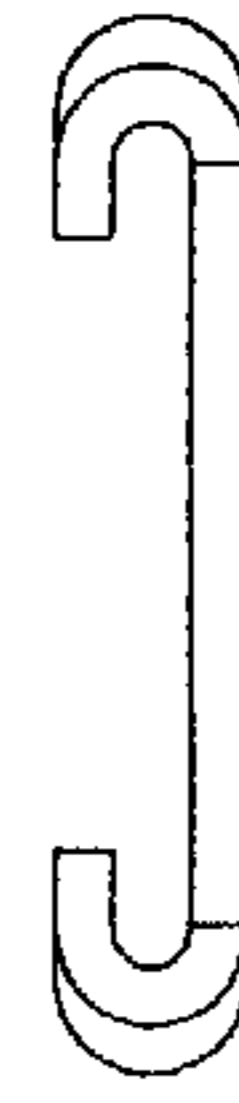


FIGURE - 9

FIGURE - 10

