



US00D538619S

(12) **United States Design Patent**
Okuda

(10) **Patent No.:** **US D538,619 S**

(45) **Date of Patent:** **** Mar. 20, 2007**

(54) **PORTABLE ELECTRIC HAMMER DRILL**

(75) Inventor: **Shinsuke Okuda**, Anjo (JP)

(73) Assignee: **Makita Corporation**, Anjo (JP)

(**) Term: **14 Years**

(21) Appl. No.: **29/262,871**

(22) Filed: **Jul. 13, 2006**

(30) **Foreign Application Priority Data**

Jan. 17, 2006 (JP) 2006-000637

(51) **LOC (8) Cl.** **08-01**

(52) **U.S. Cl.** **D8/69**

(58) **Field of Classification Search** D8/14.1,
D8/61, 62, 63, 64, 65, 66, 67, 68, 69, 70;
81/57.11, 429, 464, 465, 466, 469, 489; 173/13,
173/104, 114, 168, 169, 170, 171, 178, 201,
173/211, 213, 217; 408/20, 124, 125, 234,
408/241 R; 451/358; 310/50; 227/8, 113,
227/114, 120, 130, 136, 142
See application file for complete search history.

(56) **References Cited**

U.S. PATENT DOCUMENTS

D301,300 S * 5/1989 Sasaki et al. D8/68
D409,468 S * 5/1999 Uchida et al. D8/69
5,996,707 A * 12/1999 Thome et al. 173/217
D440,851 S * 4/2001 Sakai et al. D8/69
D519,808 S * 5/2006 Otsuka et al. D8/68

D520,834 S * 5/2006 Furuta et al. D8/68
D525,099 S * 7/2006 Nagasaka et al. D8/68
D525,505 S * 7/2006 Ito et al. D8/68
D525,848 S * 8/2006 Kokawa D8/68
D526,873 S * 8/2006 Tsuzuki et al. D8/69
D527,971 S * 9/2006 Kokawa D8/68
D527,973 S * 9/2006 Okuda et al. D8/69
2005/0247466 A1 * 11/2005 Andriolo et al. 173/170

OTHER PUBLICATIONS

German Design Registration No. 40504538, (FIGS 001.1–001.7).

* cited by examiner

Primary Examiner—T. Chase Nelson

(74) *Attorney, Agent, or Firm*—Oliff & Berridge, PLC

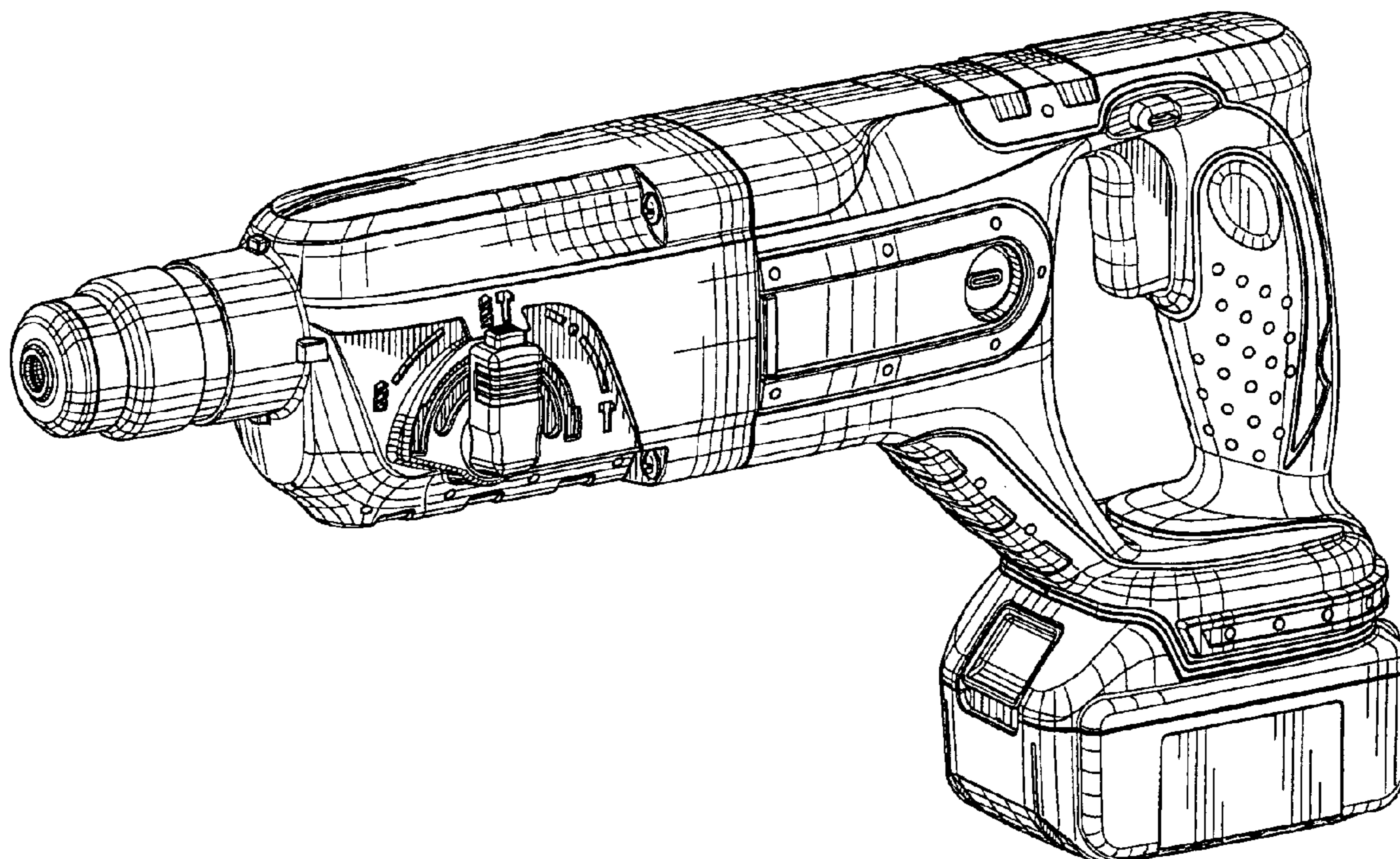
(57) **CLAIM**

The ornamental design for the portable electric hammer drill, as shown and described.

DESCRIPTION

FIG. 1 is a front perspective view of the portable electric drill showing my new design;
FIG. 2 is a front elevation view thereof;
FIG. 3 is a rear elevation view thereof;
FIG. 4 is a left side elevation view thereof;
FIG. 5 is a right side elevation view thereof;
FIG. 6 is a top plan view thereof; and,
FIG. 7 is a bottom plan view thereof.

1 Claim, 5 Drawing Sheets



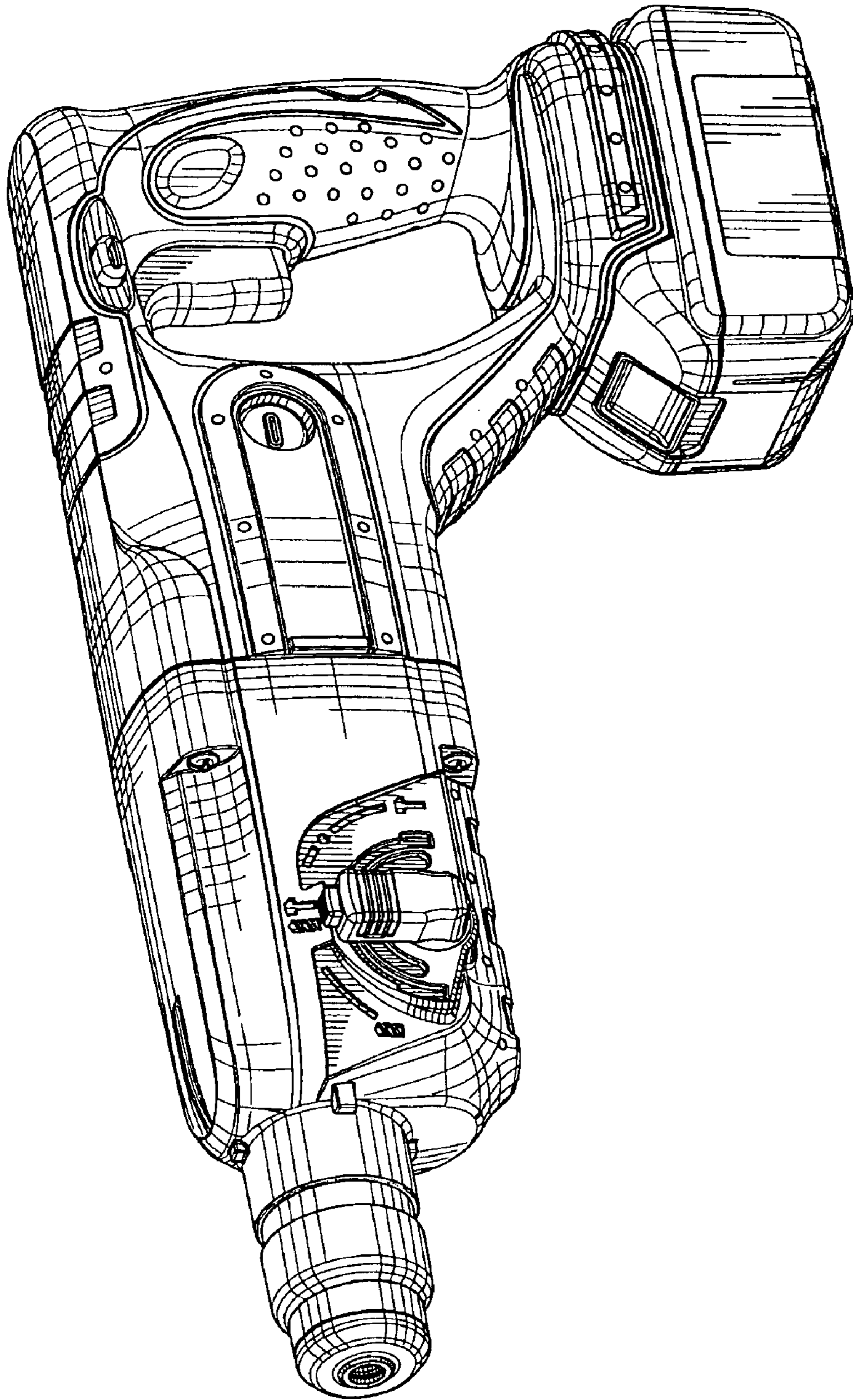


FIG. 1

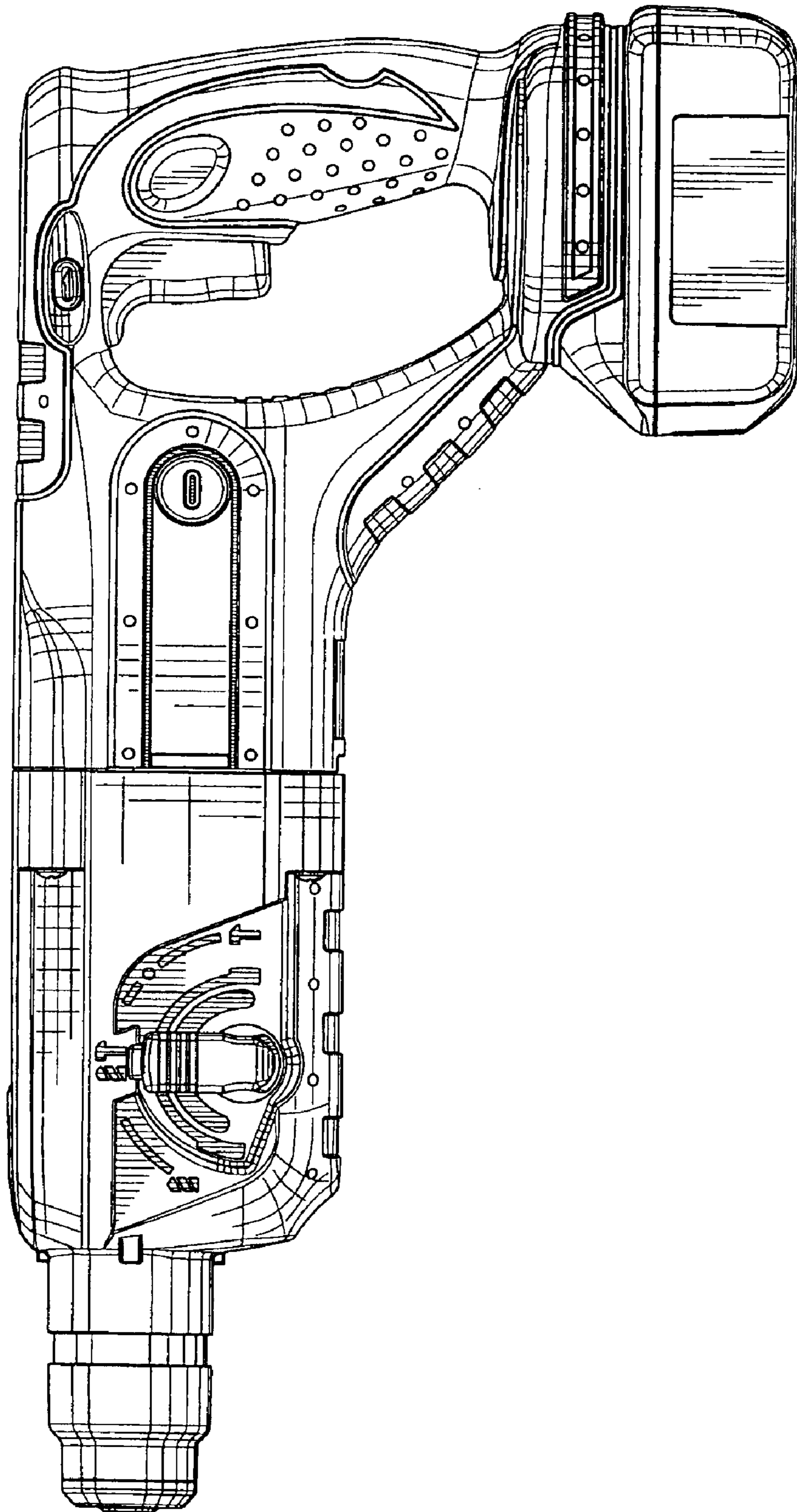


FIG. 2

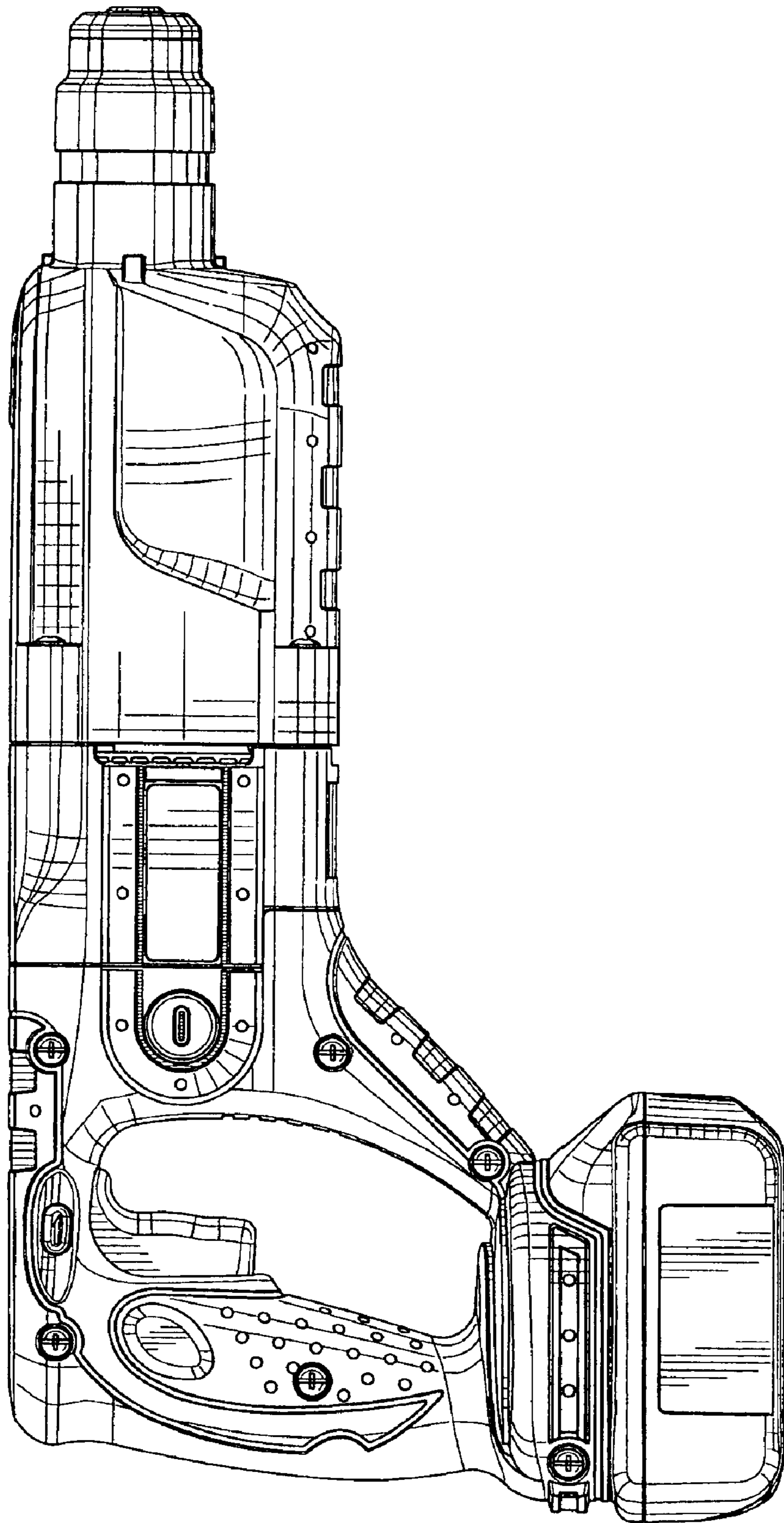


FIG. 3

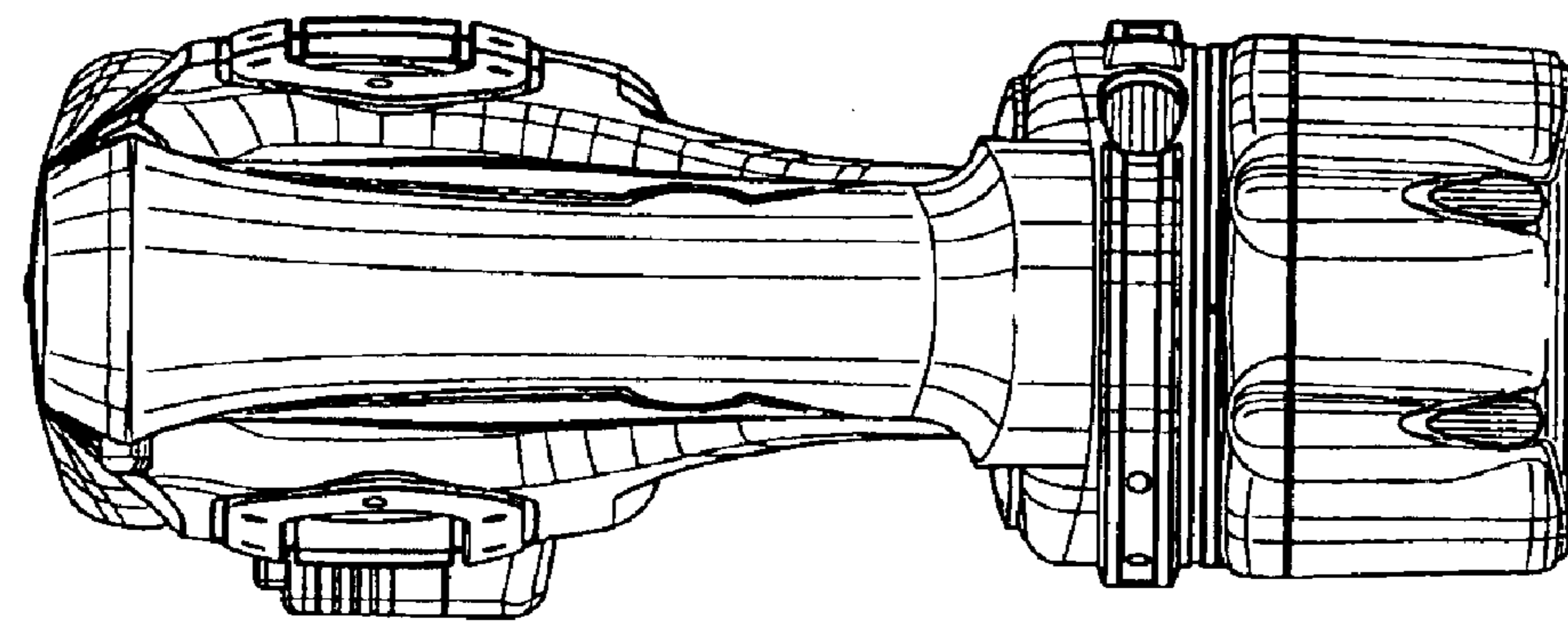


FIG. 4

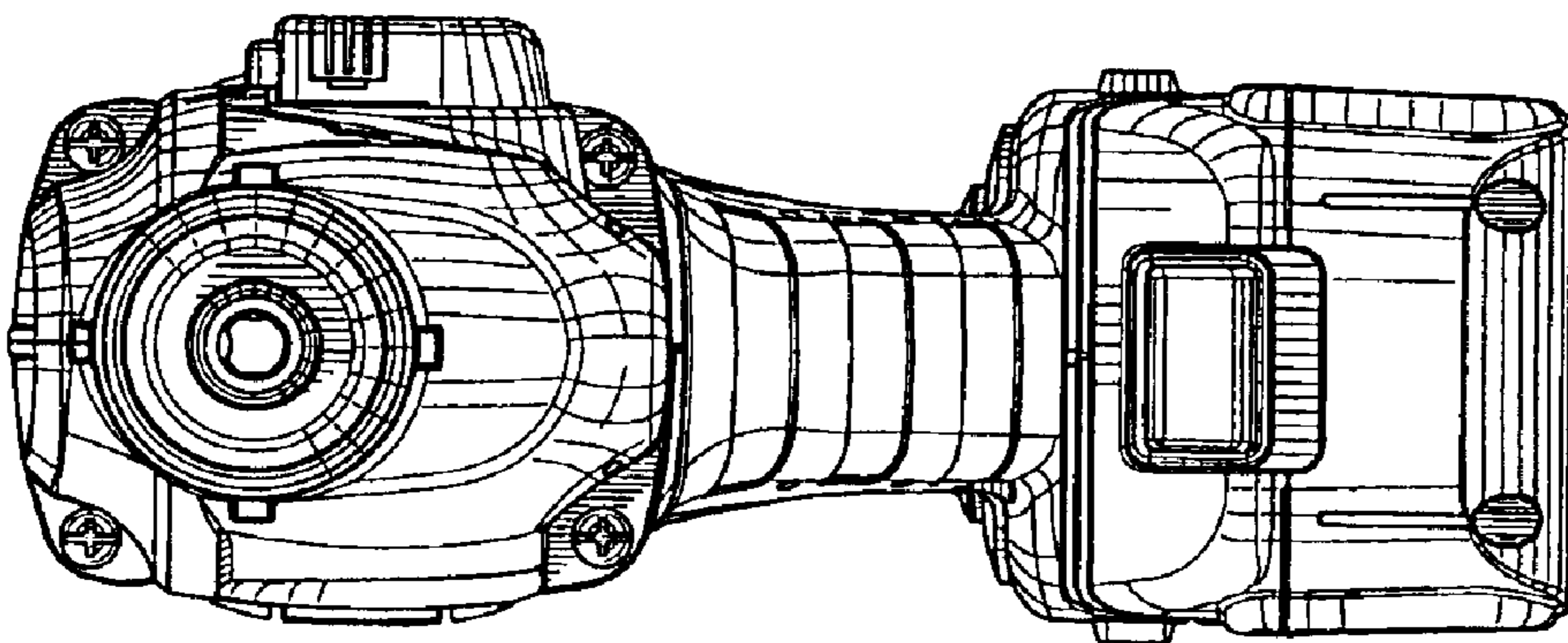


FIG. 5

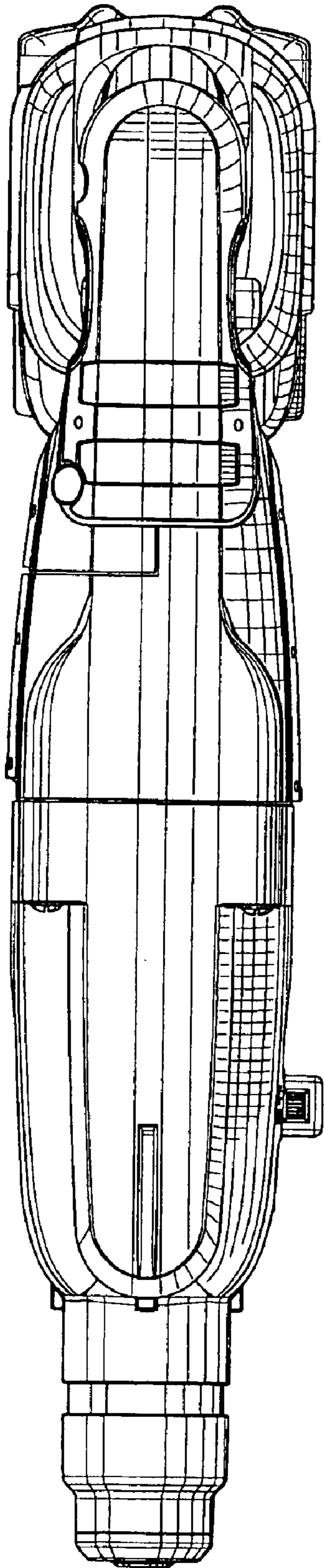


FIG. 6

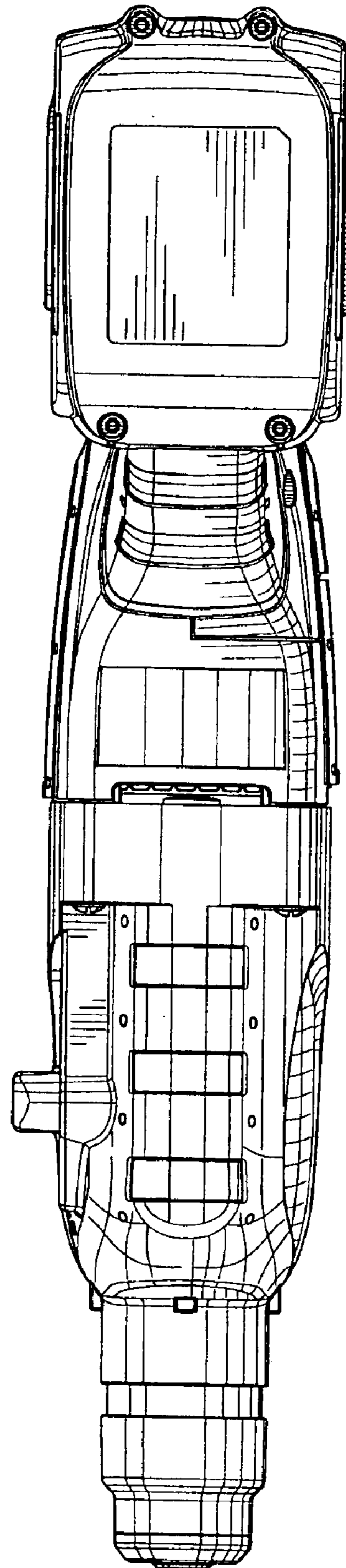


FIG. 7