

US00D538618S

(12) **United States Design Patent**  
**Serdynski et al.**

(10) **Patent No.:** **US D538,618 S**

(45) **Date of Patent:** **\*\* Mar. 20, 2007**

(54) **PORTION OF A POWER TOOL**

(75) Inventors: **David P. Serdynski**, Waukesha, WI (US); **Boyd J. Miller**, Mequon, WI (US); **Scott D. Bublitz**, Hartland, WI (US); **Troy C. Thorson**, Waukesha, WI (US); **Thomas R. Bednar**, Pewaukee, WI (US); **David B. Griep**, Rubicon, WI (US); **Nancy Uehlein-Proctor**, Nashotah, WI (US); **Dennis J. Grzybowski**, New Berlin, WI (US); **Jeffery S. Holly**, Menomonee Falls, WI (US); **Jeffrey C. Hessenberger**, Neosho, WI (US); **Mark A. Kubale**, West Bend, WI (US); **Todd W. Johnson**, Wauwatosa, WI (US); **Jonathan P. Lobert**, Sussex, WI (US); **Scott H. Micoley**, Cedarburg, WI (US)

(73) Assignee: **Milwaukee Electric Tool Corporation**, Brookfield, WI (US)

(\*\*) Term: **14 Years**

(21) Appl. No.: **29/216,278**

(22) Filed: **Nov. 1, 2004**

(51) **LOC (8) Cl.** ..... **08-05**

(52) **U.S. Cl.** ..... **D8/68; D8/70**

(58) **Field of Classification Search** ..... 408/125, 408/234, 241 R, 20, 124; 451/358; 310/50; 227/8, 114, 120, 130, 136, 142; D8/97, 107, D8/14.1, 61, 62, 63, 64, 65, 66, 67, 68, 69, D8/70; 81/57.11, 429, 464, 465, 466, 469, 81/489; 173/13, 104, 114, 168, 169, 170, 173/171, 178, 201, 211, 213, 217

See application file for complete search history.

(56) **References Cited**

**U.S. PATENT DOCUMENTS**

2,553,688 A \* 5/1951 Thompson ..... D8/62  
D225,300 S \* 12/1972 Boldt ..... D8/68

D252,611 S \* 8/1979 Breger ..... D8/107  
D262,185 S \* 12/1981 Huber et al. .... D8/67  
4,705,200 A \* 11/1987 Kopf et al. .... 227/8  
5,028,858 A 7/1991 Schnizler et al.  
D325,858 S \* 5/1992 Saito et al. .... D8/61  
5,293,156 A 3/1994 Shoji et al.  
D364,790 S \* 12/1995 Duennes ..... D8/61  
5,526,460 A 6/1996 DeFrancesco et al.  
D406,737 S \* 3/1999 Farnham ..... D8/68  
D411,425 S \* 6/1999 Sugimoto et al. .... D8/66  
D423,897 S \* 5/2000 Cooper ..... D8/61  
D427,038 S \* 6/2000 Lin ..... D8/61  
D427,040 S \* 6/2000 Heun ..... D8/61  
6,075,341 A 6/2000 White et al.  
D427,872 S \* 7/2000 Snider ..... D8/66

(Continued)

**FOREIGN PATENT DOCUMENTS**

GB 2226716 7/1990

*Primary Examiner*—T. Chase Nelson

(74) *Attorney, Agent, or Firm*—Michael Best & Friedrich LLP

(57) **CLAIM**

We claim the ornamental design for a portion of a power tool, as shown and described.

**DESCRIPTION**

FIG. 1 is a perspective view of a portion of a power tool. FIG. 2 is another perspective view of a portion of a power tool shown in FIG. 1.

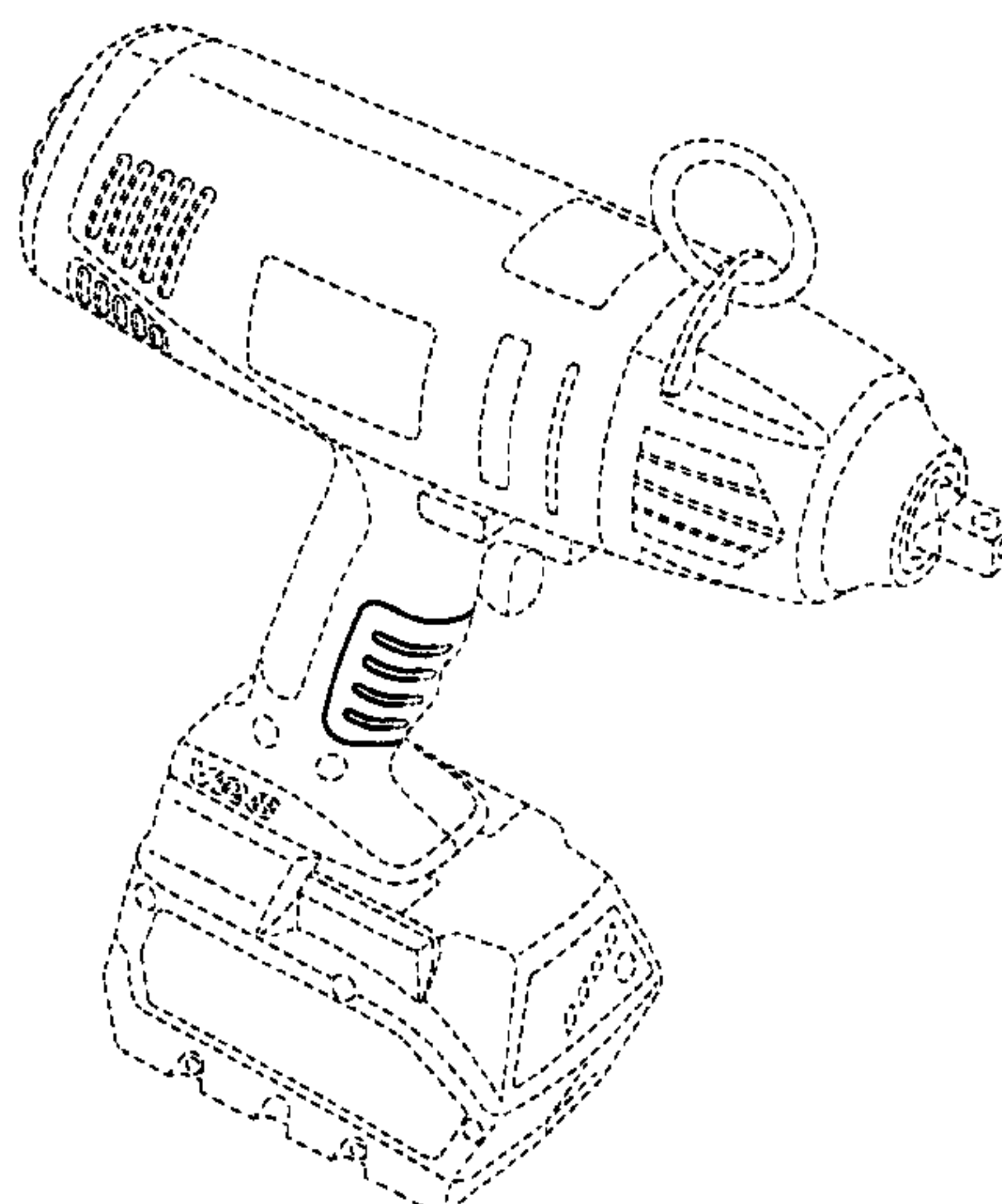
FIG. 3 is a right side view of a portion of a power tool shown in FIG. 1.

FIG. 4 is a left side view of a portion of a power tool shown in FIG. 1; and,

FIG. 5 is an enlarged front view of a portion of a power tool shown in FIG. 1.

The broken line showing of a portion of a power tool is for illustrative purposes only and forms no part of the claimed design.

**1 Claim, 3 Drawing Sheets**



# US D538,618 S

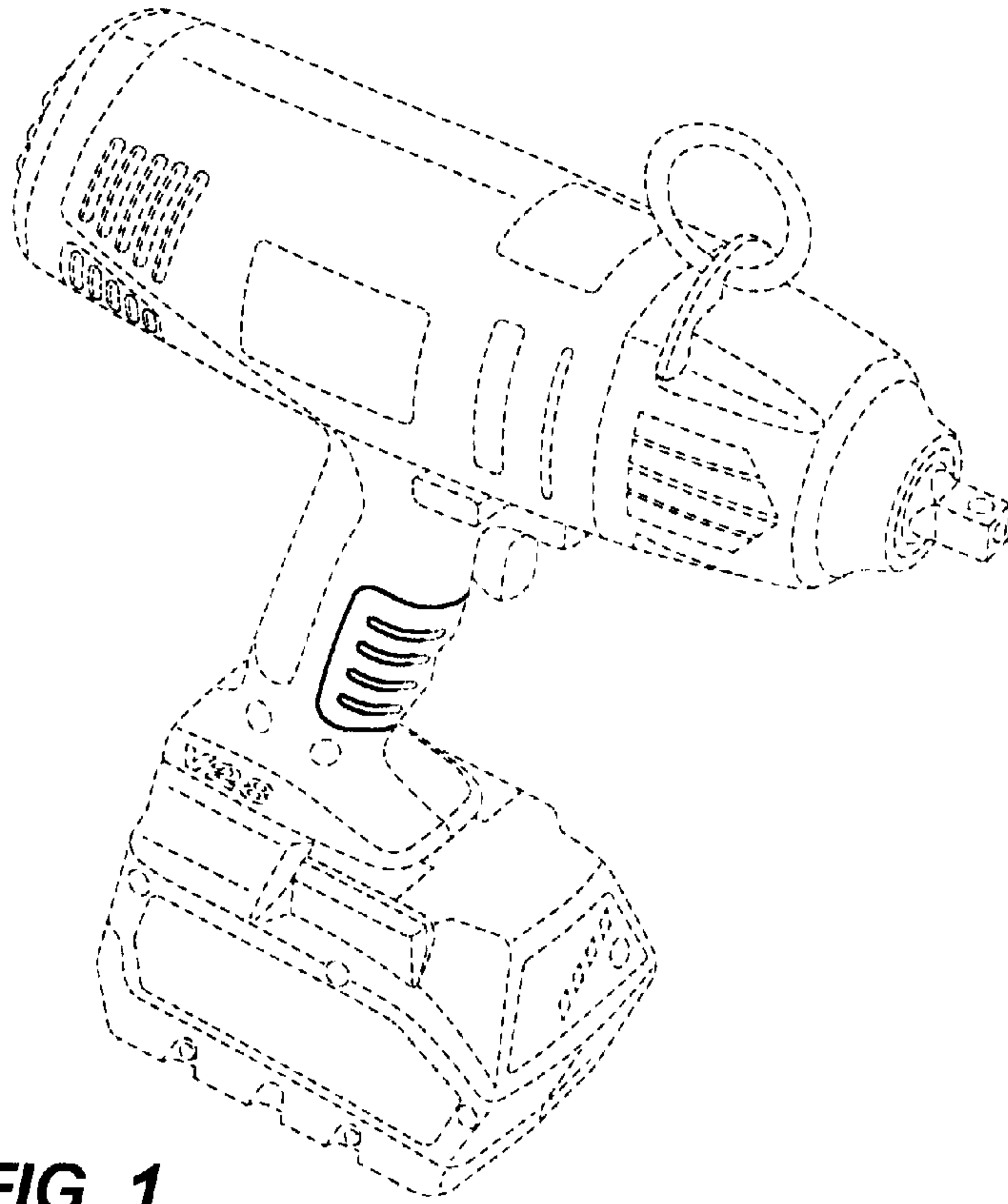
Page 2

---

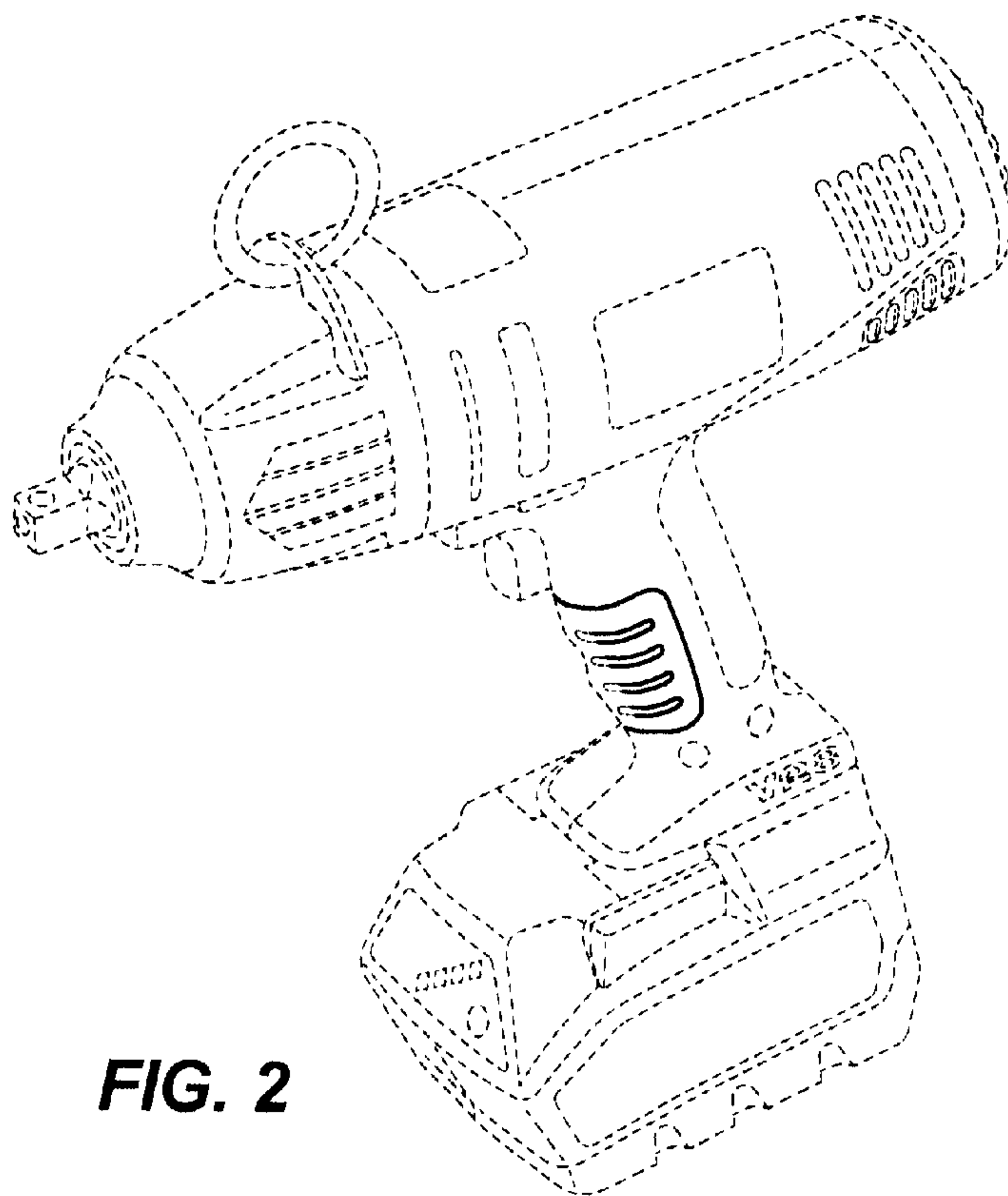
## U.S. PATENT DOCUMENTS

D427,874 S *	7/2000	Hayakawa et al.	.....	D8/66	D482,253 S *	11/2003	Cooper et al.	.....	D8/68
D428,319 S *	7/2000	Gallagher	.....	D8/66	D502,377 S *	3/2005	Aglassinger	.....	D8/69
D441,269 S *	5/2001	Tsai	.....	D8/83	D509,417 S *	9/2005	Wikle et al.	.....	D8/62
D443,491 S *	6/2001	Robson	.....	D8/61	2003/0127932 A1	7/2003	Ishida et al.		
6,242,889 B1	6/2001	Belyo			2003/0184161 A1	10/2003	Chu		
D460,674 S *	7/2002	Heun	.....	D8/68	2004/0069512 A1 *	4/2004	Ng	.....	173/217
6,457,535 B1 *	10/2002	Tanaka	.....	173/178	2004/0179829 A1	9/2004	Phillips et al.		

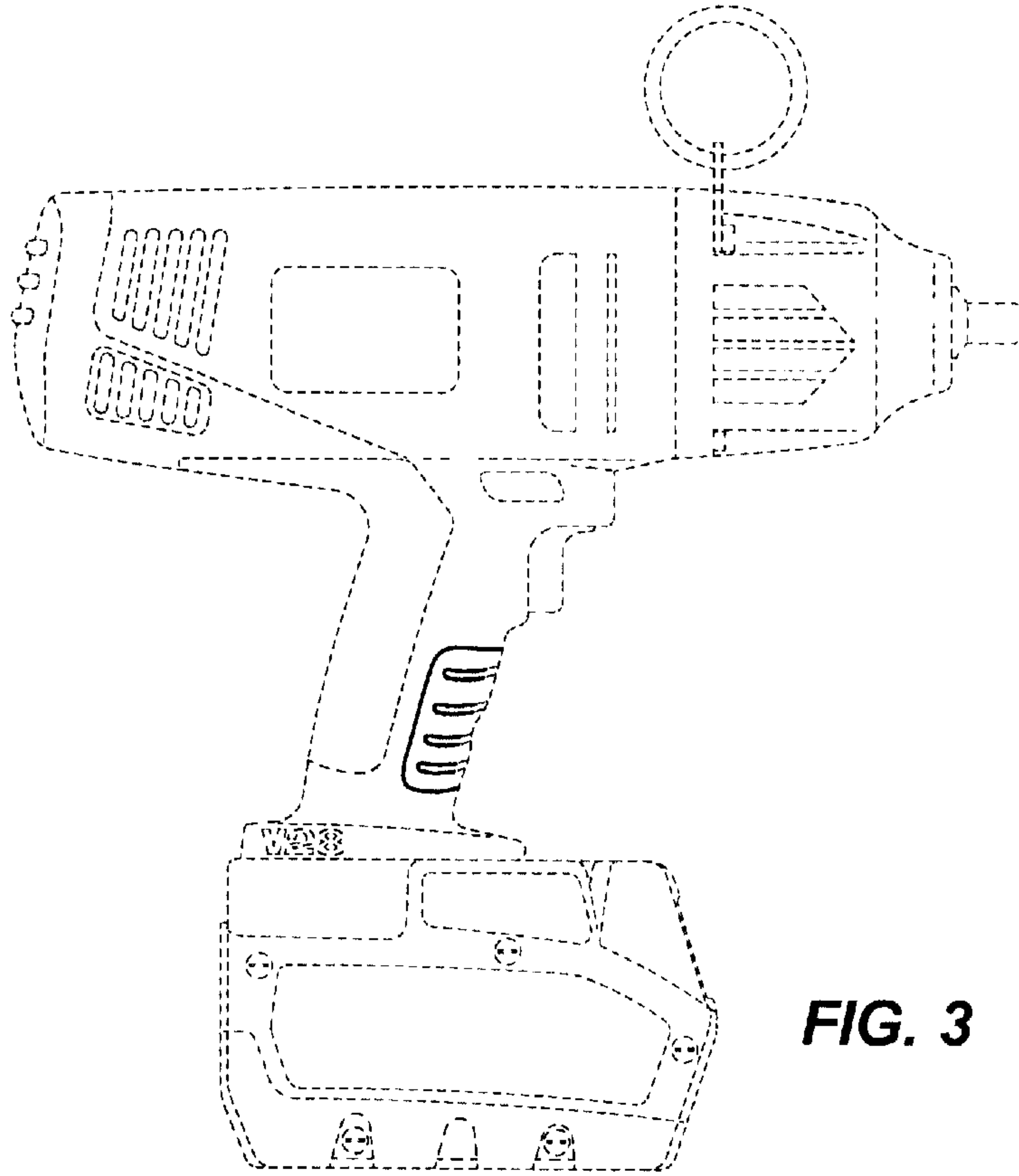
\* cited by examiner



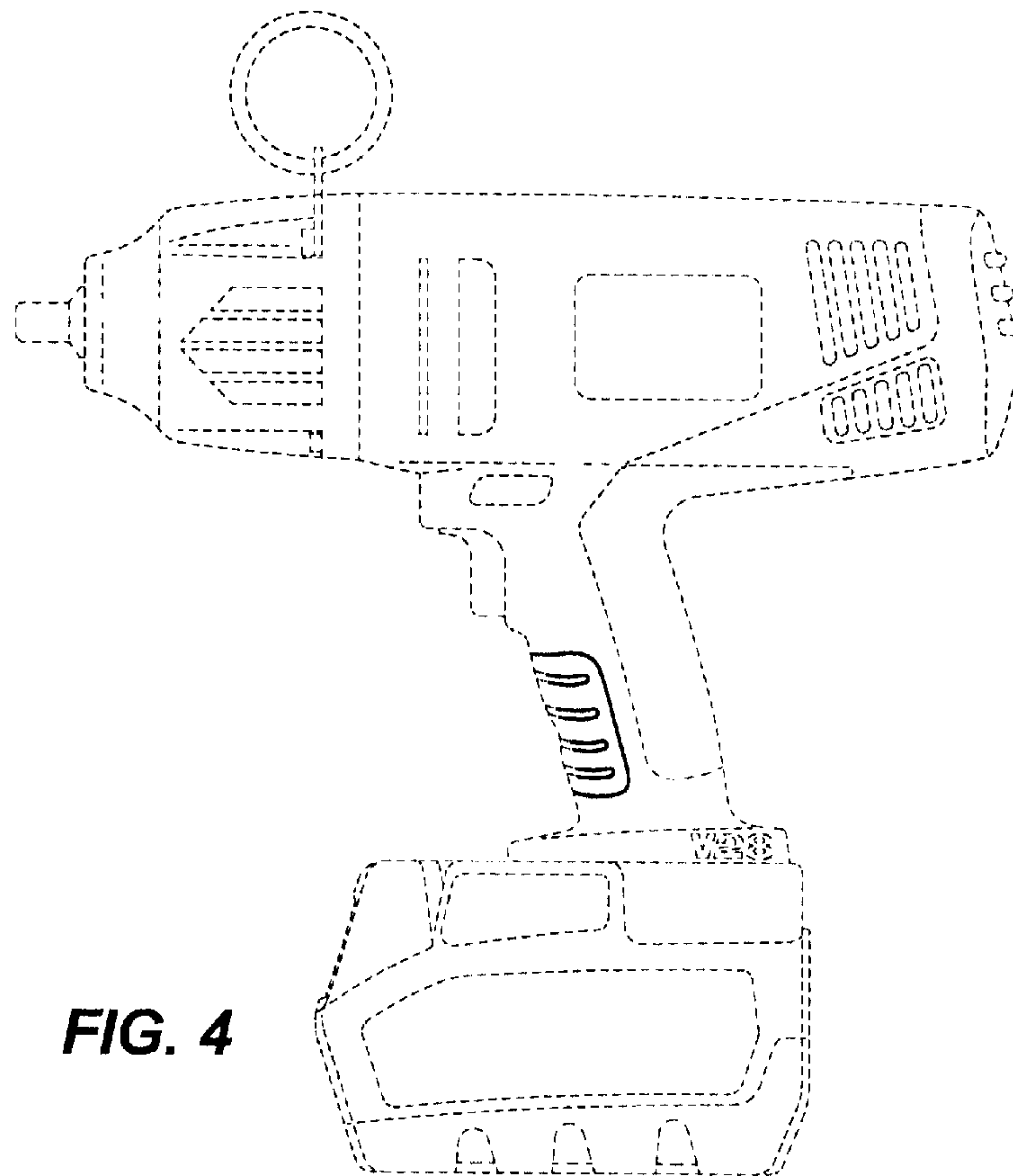
**FIG. 1**



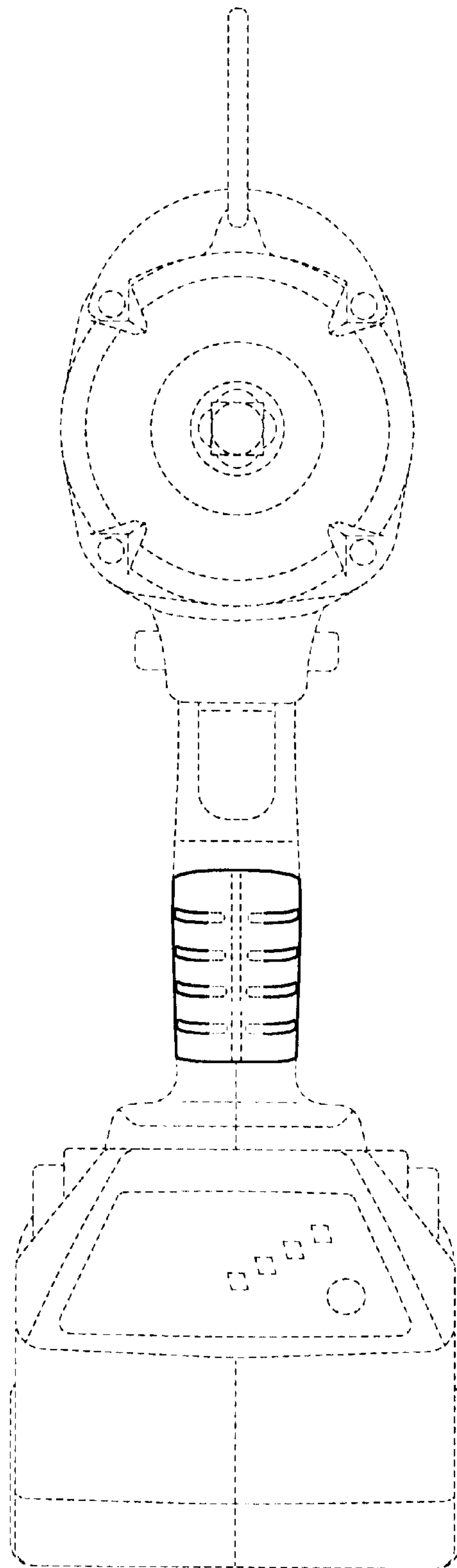
**FIG. 2**



**FIG. 3**



**FIG. 4**



**FIG. 5**