



US00D538615S

(12) **United States Design Patent**  
**Hastie**

(10) **Patent No.:** **US D538,615 S**

(45) **Date of Patent:** **\*\* Mar. 20, 2007**

(54) **POWERED ANGLE GRINDER**

(75) Inventor: **James Hastie**, Pocklington (GB)

(73) Assignee: **GMCA Pty Limited** (AU)

(\*\*) Term: **14 Years**

(21) Appl. No.: **29/246,691**

(22) Filed: **May 3, 2006**

(30) **Foreign Application Priority Data**

Dec. 7, 2005 (EM) ..... 000449244

(51) **LOC (8) Cl.** ..... **08-01**

(52) **U.S. Cl.** ..... **D8/62**

(58) **Field of Classification Search** ..... D8/69,  
D8/67, 62, 61; 173/168; 451/294, 344, 351,  
451/359, 358, 357, 356, 354, 353  
See application file for complete search history.

(56) **References Cited**

**U.S. PATENT DOCUMENTS**

D255,417 S	*	6/1980	Sakamoto et al.	.....	D8/62
D297,907 S	*	10/1988	Hoshimo et al.	.....	D8/62
5,201,146 A	*	4/1993	Fushiya	.....	451/358
6,132,301 A	*	10/2000	Kaiser	.....	451/450
D434,296 S	*	11/2000	Ogasawara	.....	D8/62
6,241,594 B1	*	6/2001	Lepold	.....	451/359
D453,288 S	*	2/2002	Lui	.....	D8/62
D475,263 S	*	6/2003	Andriolo	.....	D8/62
D479,679 S	*	9/2003	Wright	.....	D8/62

D494,827 S	*	8/2004	Liu	.....	D8/62
D498,653 S	*	11/2004	Wu	.....	D8/62
D521,833 S	*	5/2006	Okuda et al.	.....	D8/62
D522,334 S	*	6/2006	Waldron	.....	D8/62
D522,827 S	*	6/2006	Corcoran	.....	D8/62
D523,308 S	*	6/2006	Corcoran	.....	D8/62
D524,129 S	*	7/2006	Waldron	.....	D8/62

\* cited by examiner

*Primary Examiner*—Cathron C. Brooks

*Assistant Examiner*—Austin Murphy

(74) *Attorney, Agent, or Firm*—McKee, Voorhees & Sease, P.L.C.

(57) **CLAIM**

I claim the ornamental design for a powered angle grinder, substantially as shown.

**DESCRIPTION**

FIG. 1 is a top perspective view of the powered angle grinder.

FIG. 2 is a bottom perspective view of the powered angle grinder.

FIG. 3 is an opposite top perspective view of the powered angle grinder.

FIG. 4 is a side view of the powered angle grinder.

FIG. 5 is a top view of the powered angle grinder.

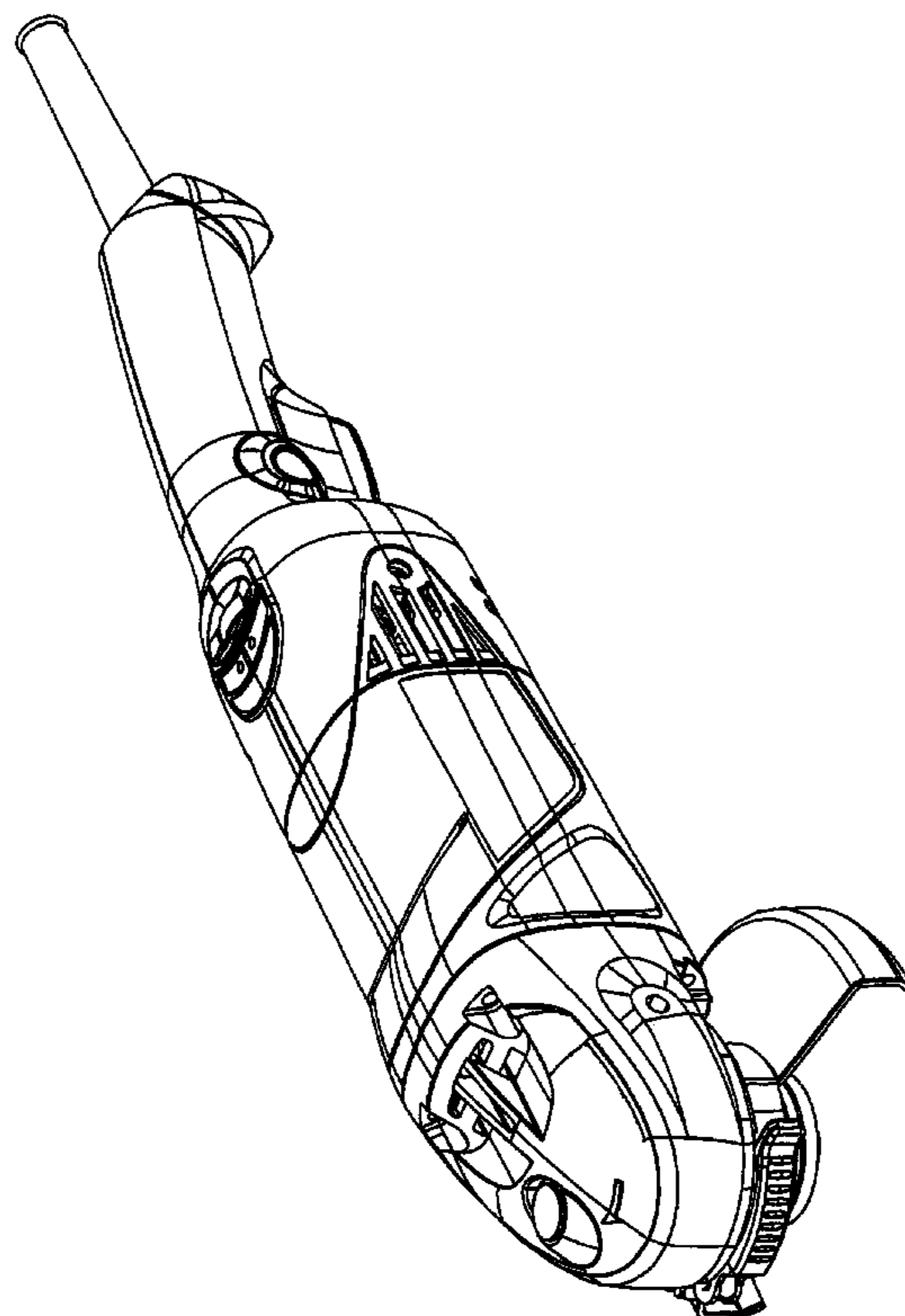
FIG. 6 is a bottom view of the powered angle grinder.

FIG. 7 is a front view of the powered angle grinder.

FIG. 8 is a rear view of the powered angle grinder; and,

FIG. 9 is an opposite side view of the powered angle grinder.

**1 Claim, 9 Drawing Sheets**



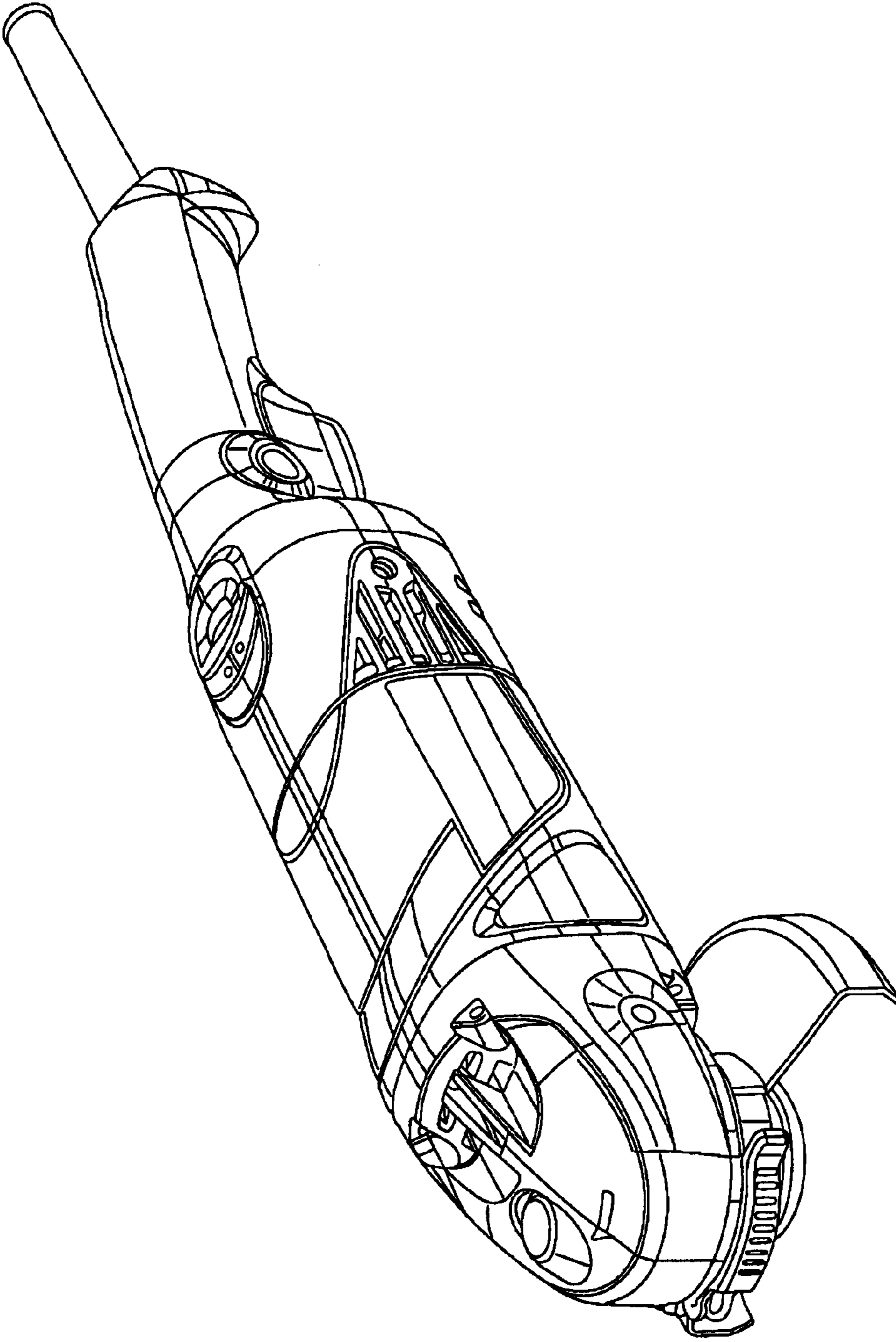
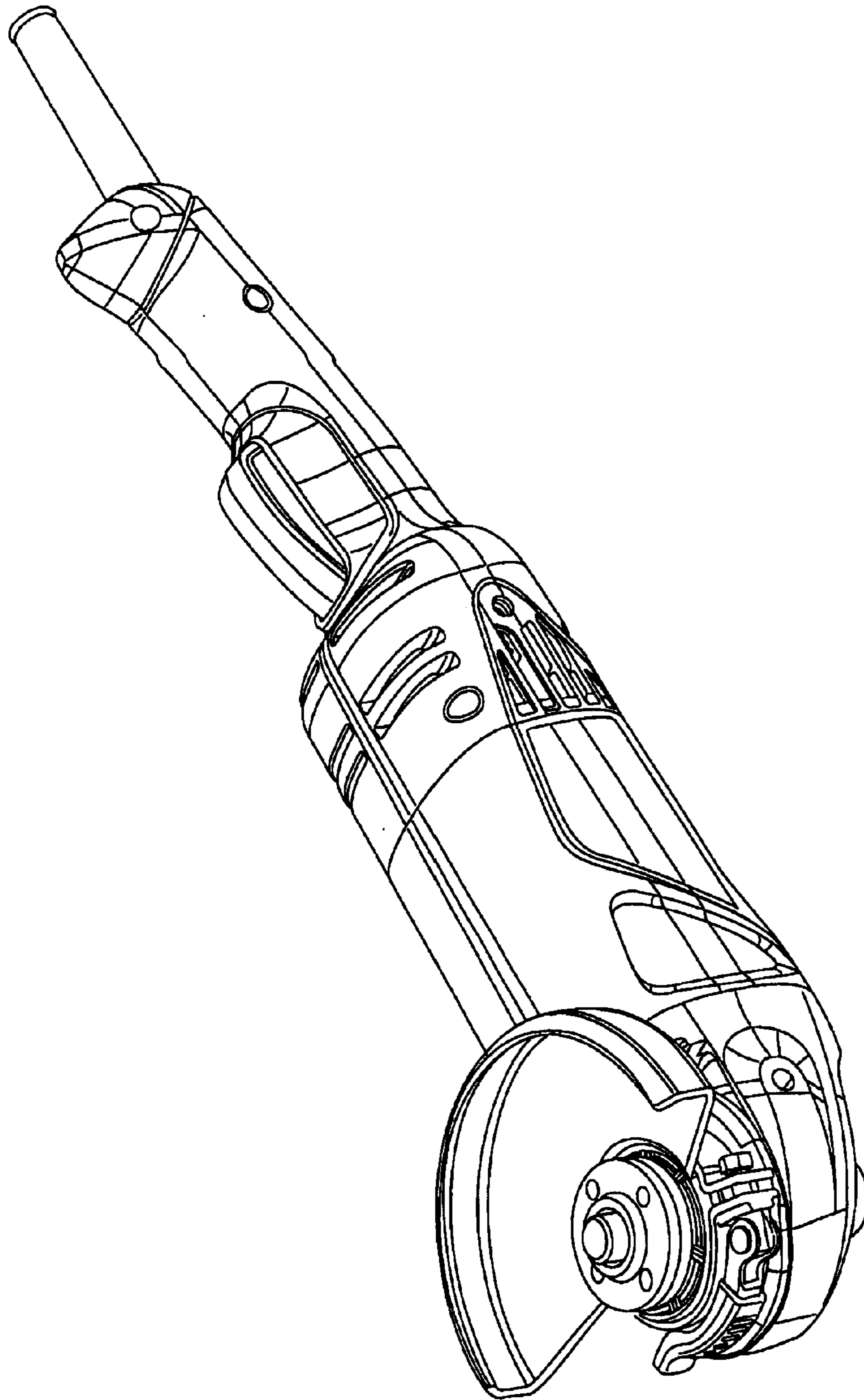


FIG. 1



**FIG. 2**

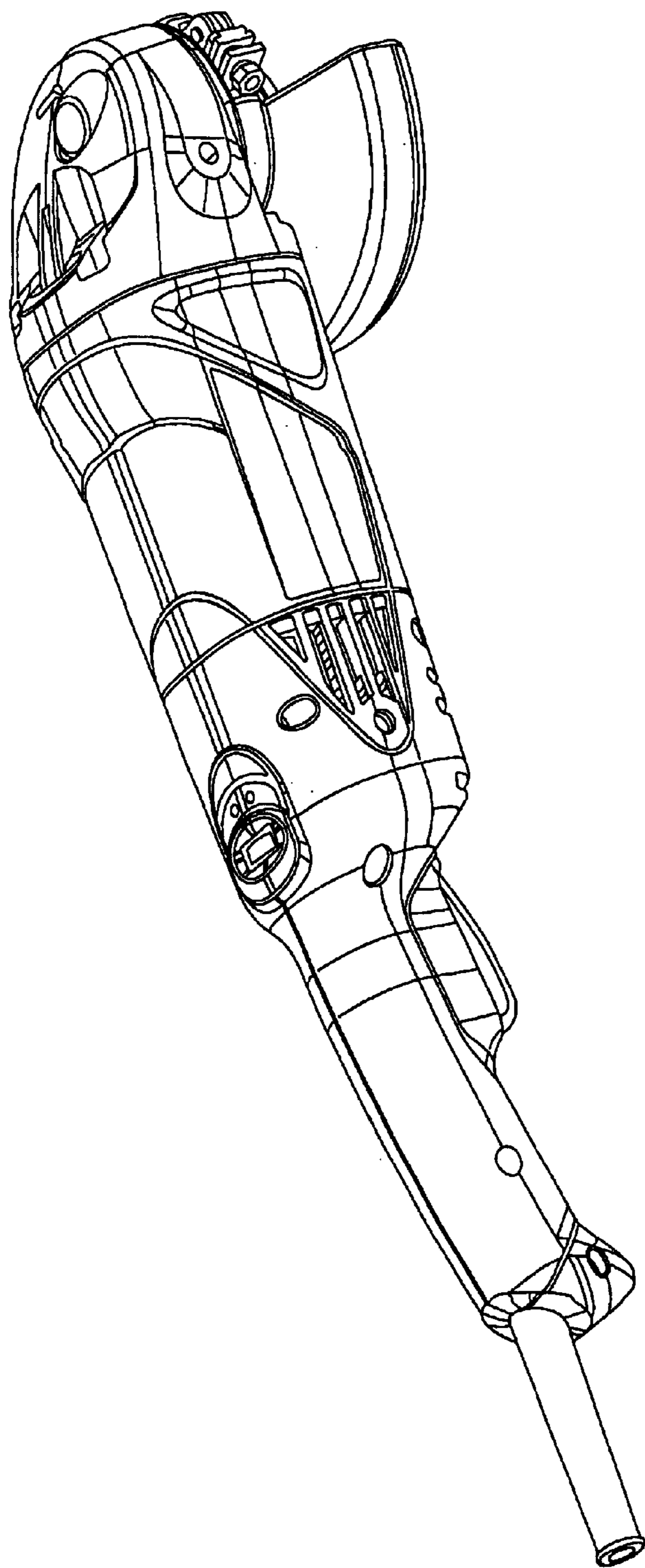
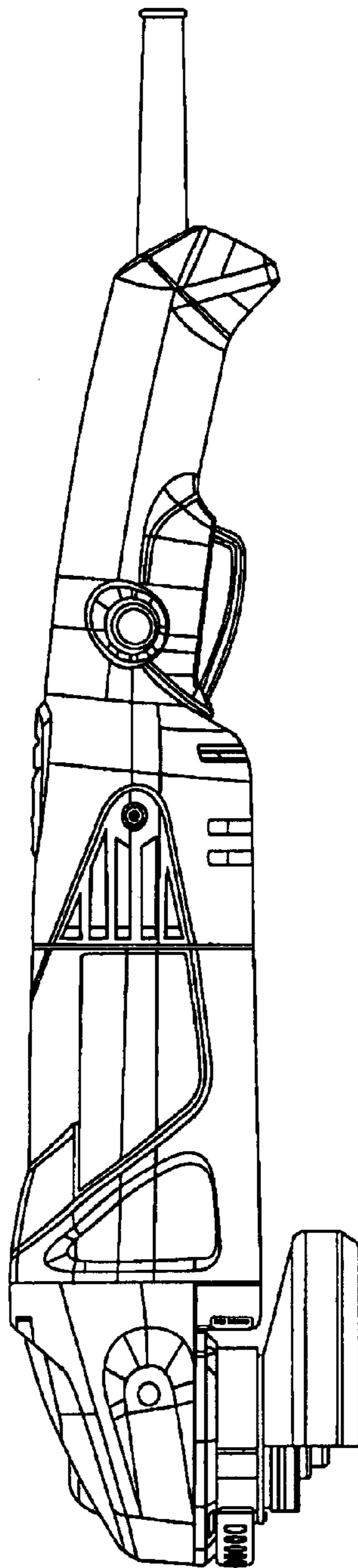
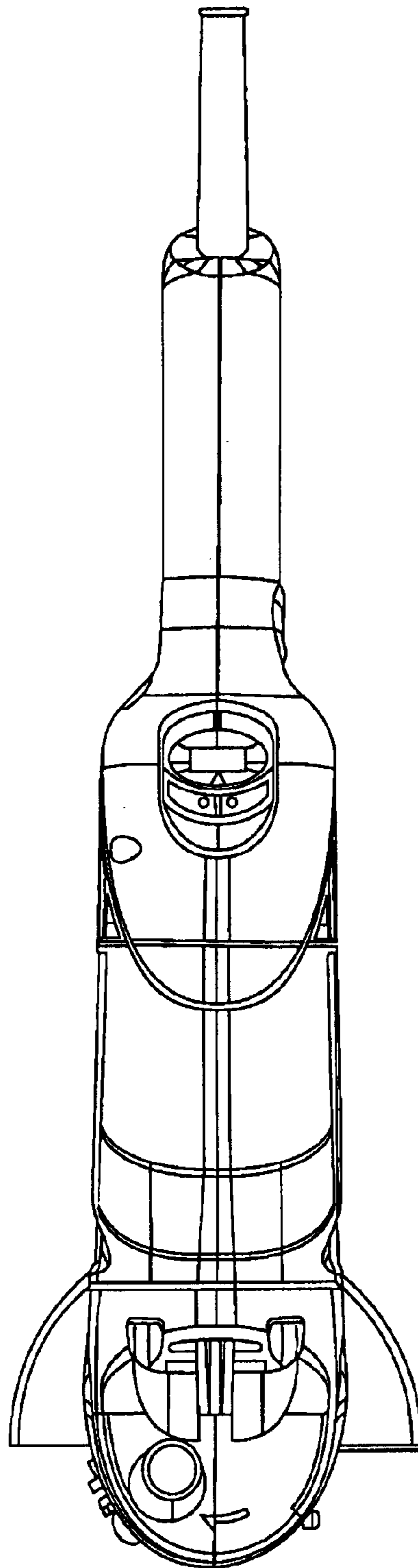


FIG. 3





**FIG. 4**



**FIG. 5**

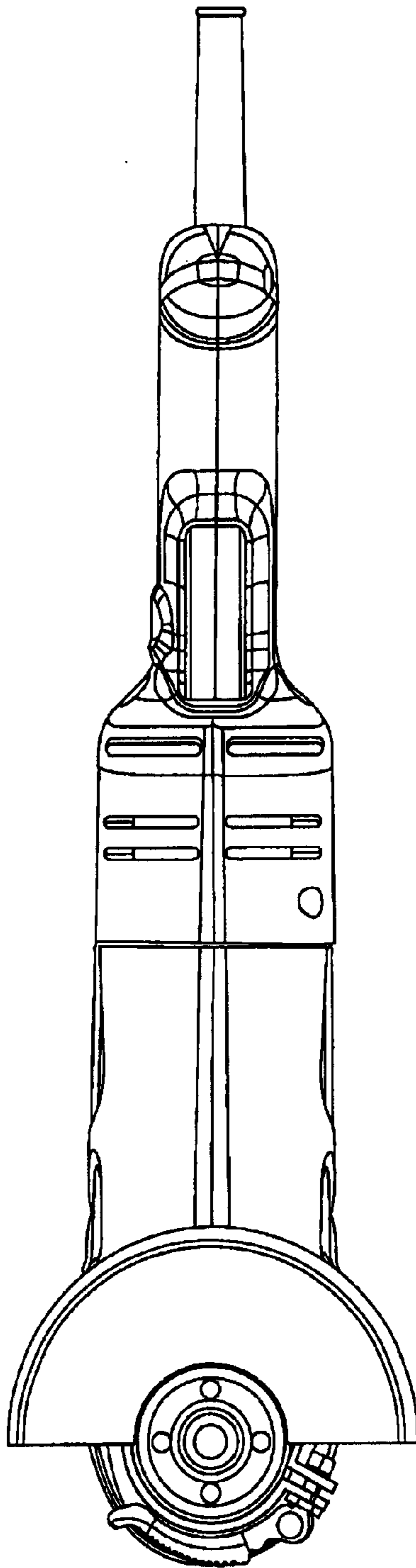
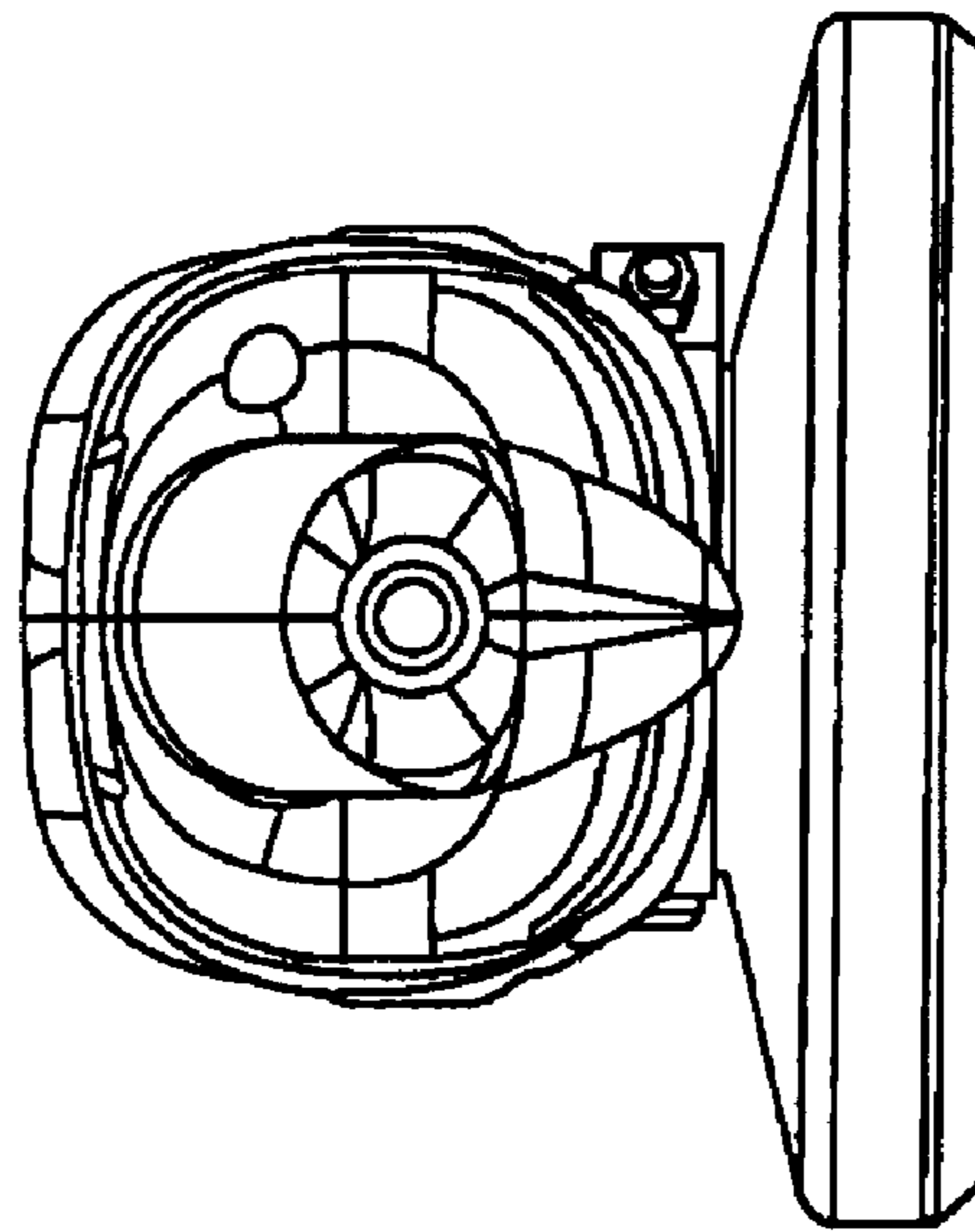


FIG. 6



**FIG. 7**



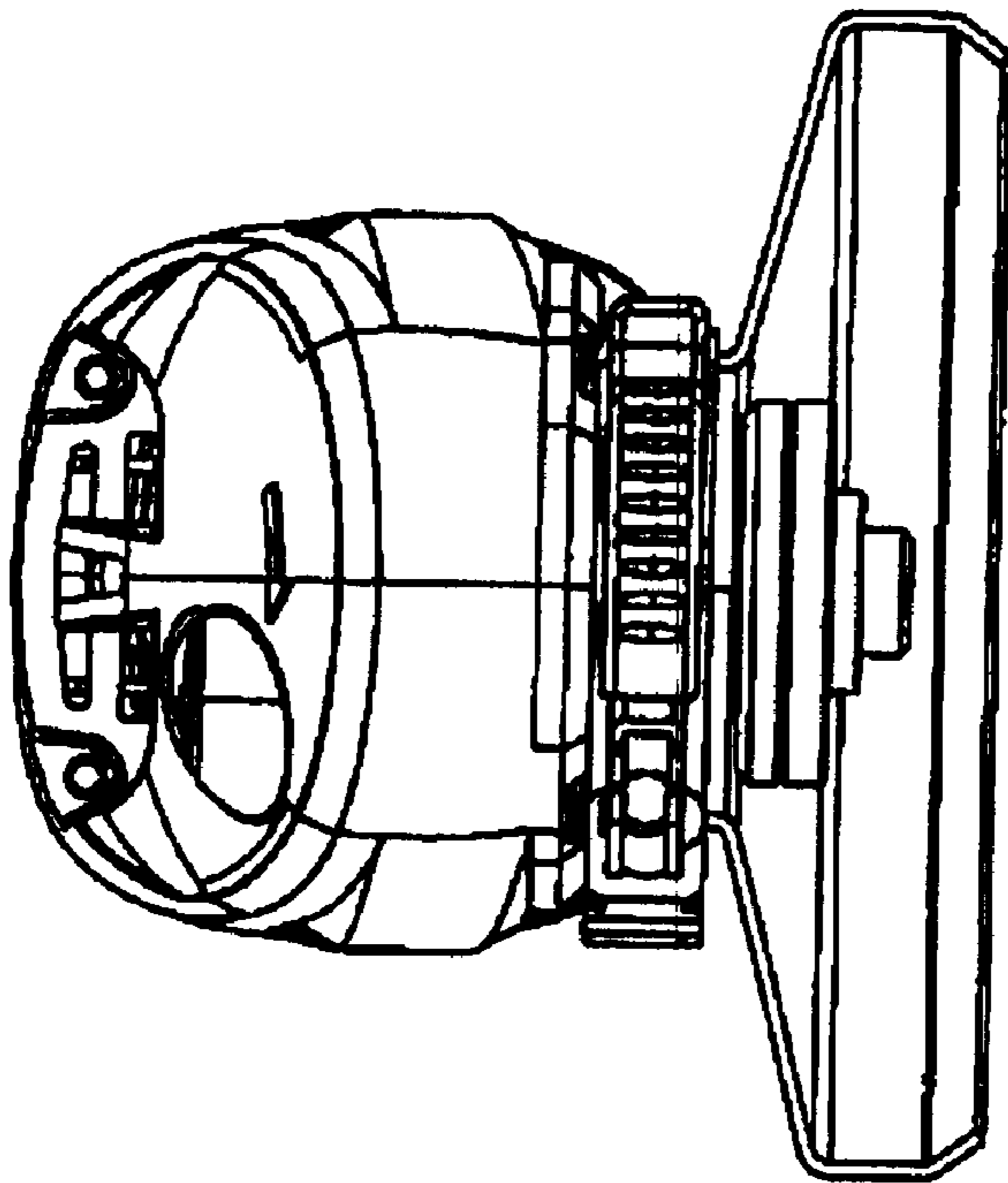


FIGURE 8

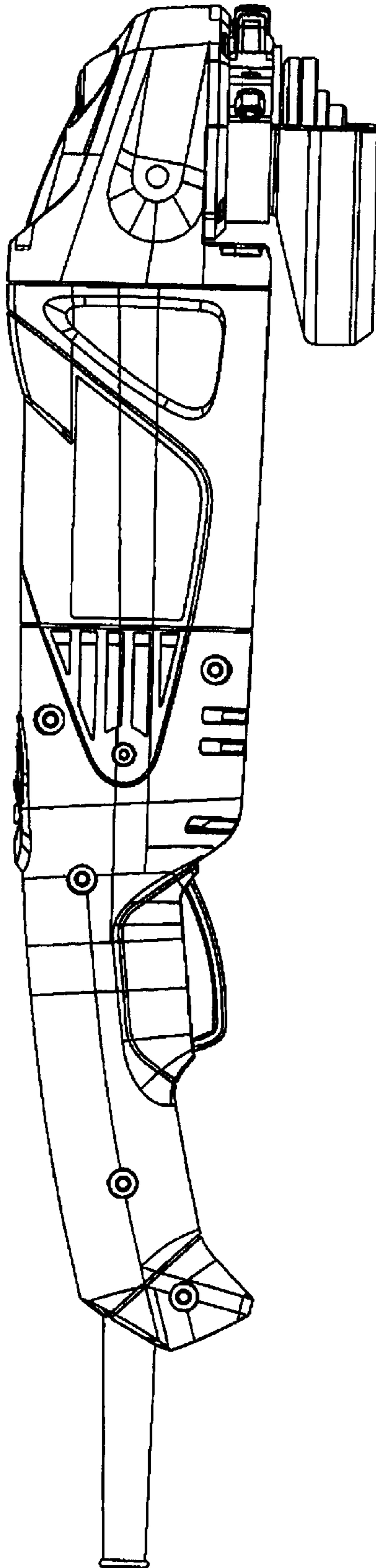


FIGURE 9