



US00D538614S

(12) **United States Design Patent**
Aglassinger

(10) **Patent No.:** **US D538,614 S**

(45) **Date of Patent:** **** Mar. 20, 2007**

(54) **ROUTER**

(75) Inventor: **Hans-Peter Aglassinger**, Esslingen
(DE)

(73) Assignee: **Robert Bosch GmbH**, Stuttgart (DE)

(**) Term: **14 Years**

(21) Appl. No.: **29/221,371**

(22) Filed: **Jan. 13, 2005**

(30) **Foreign Application Priority Data**

Jul. 29, 2004 (DE) 4 04 04 305

(51) **LOC (8) Cl.** **08-01**

(52) **U.S. Cl.** **D8/61**

(58) **Field of Classification Search** D8/61,
D8/67, 70, 107; 409/182, 180, 134, 132,
409/131; 144/48.6, 252.1, 154.5, 136.95
See application file for complete search history.

(56) **References Cited**

U.S. PATENT DOCUMENTS

4,143,691 A * 3/1979 Robinson 144/154.5
D364,790 S * 12/1995 Duennes D8/61
5,829,931 A * 11/1998 Doumani 409/182
D465,712 S * 11/2002 Koprass et al. D8/61

D470,375 S * 2/2003 Lopano D8/61
D470,735 S * 2/2003 Heun D8/61
D471,781 S * 3/2003 Heun D8/61
D473,439 S * 4/2003 Grant et al. D8/61
D477,203 S * 7/2003 Heun D8/61
D478,259 S * 8/2003 Heun D8/61
6,886,643 B2 * 5/2005 Riley et al. 173/29
D527,964 S * 9/2006 Riley et al. D8/61
2006/0067801 A1 * 3/2006 Van Bergen 409/182

* cited by examiner

Primary Examiner—Cathron C. Brooks

Assistant Examiner—Austin Murphy

(74) *Attorney, Agent, or Firm*—Kenyon & Kenyon LLP

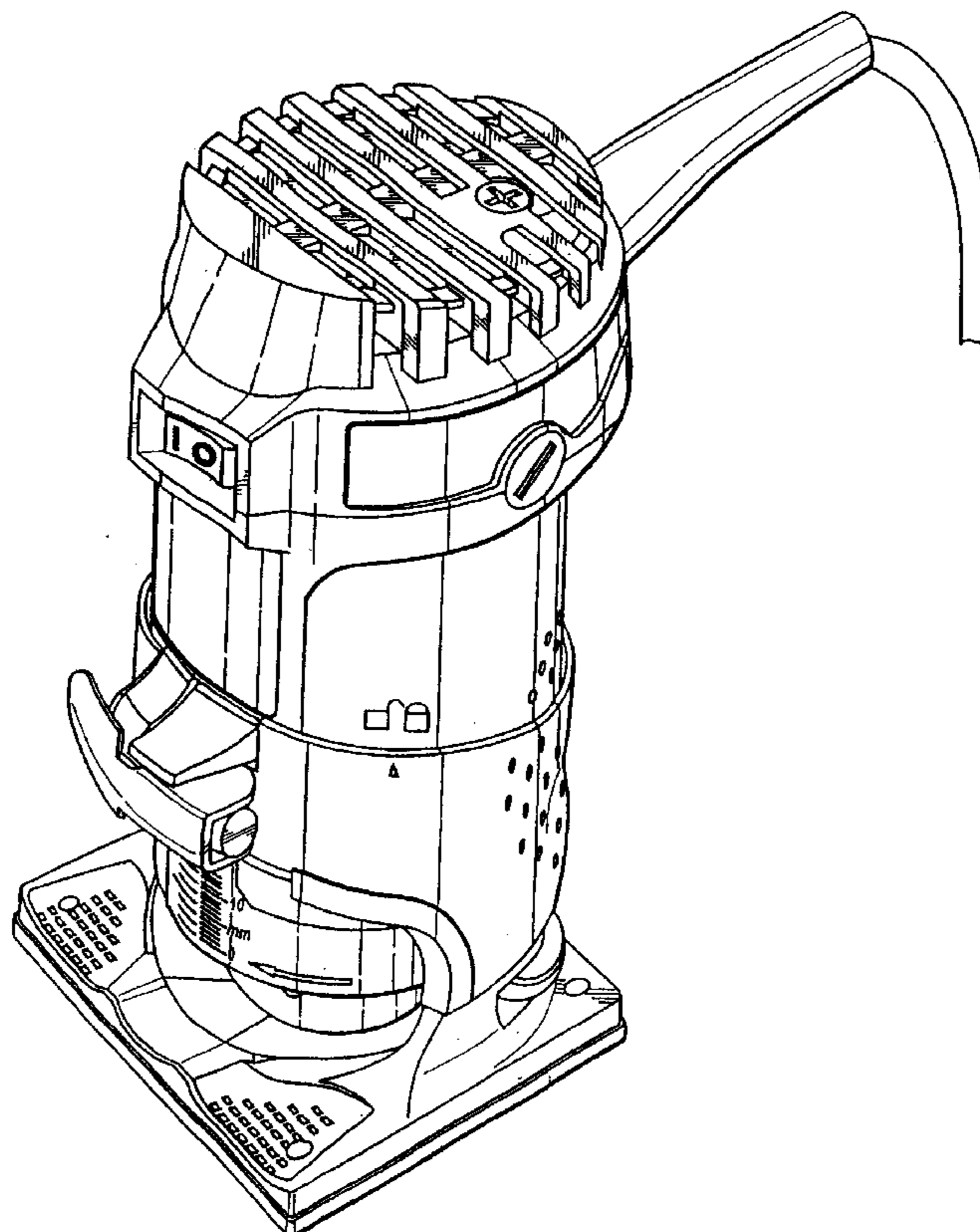
(57) **CLAIM**

The ornamental design for a router, as shown and described.

DESCRIPTION

FIG. 1 is a perspective view of an embodiment of a router showing my new design;
FIG. 2 is a rear view thereof;
FIG. 3 is a right side view thereof;
FIG. 4 is a front view thereof;
FIG. 5 is a left side view thereof;
FIG. 6 is a bottom view thereof; and,
FIG. 7 is a top view thereof.

1 Claim, 7 Drawing Sheets



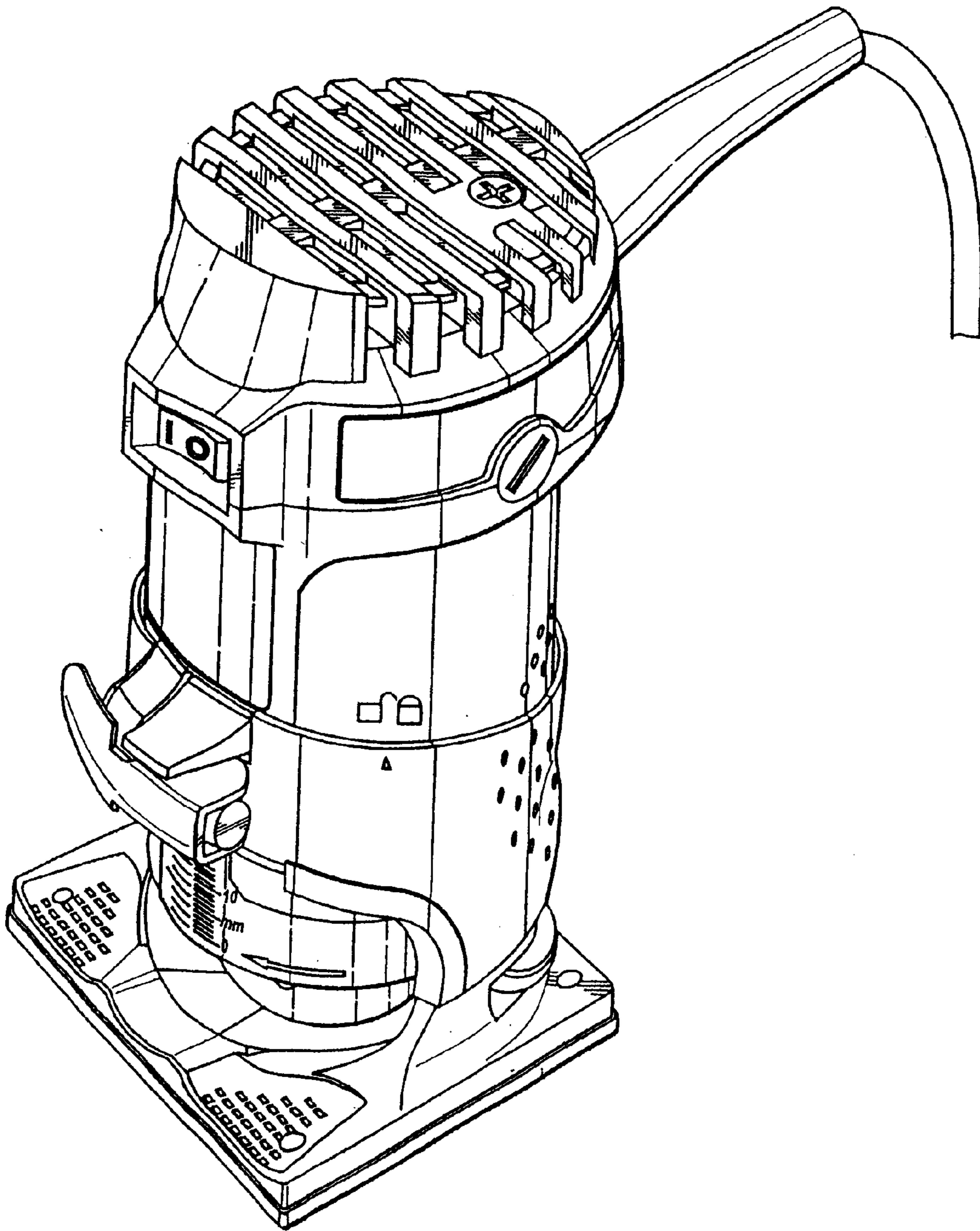


FIG. 1

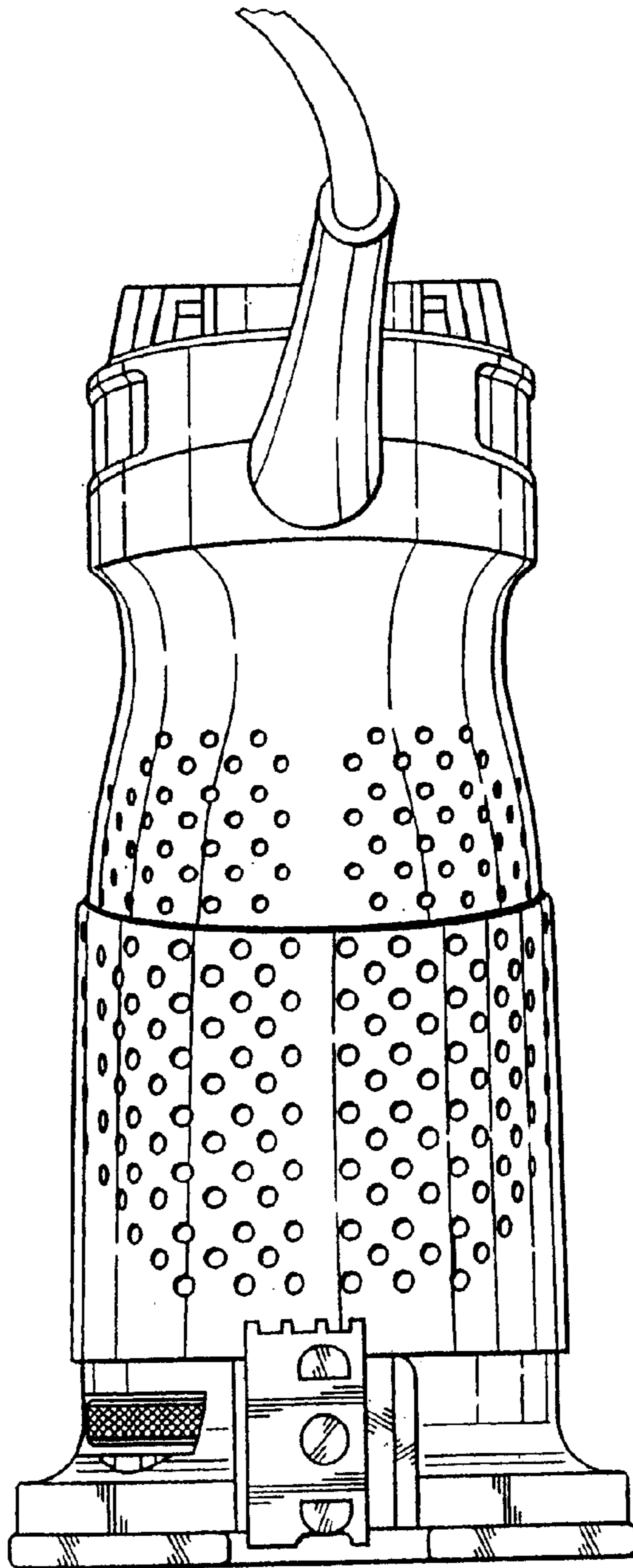


FIG. 2

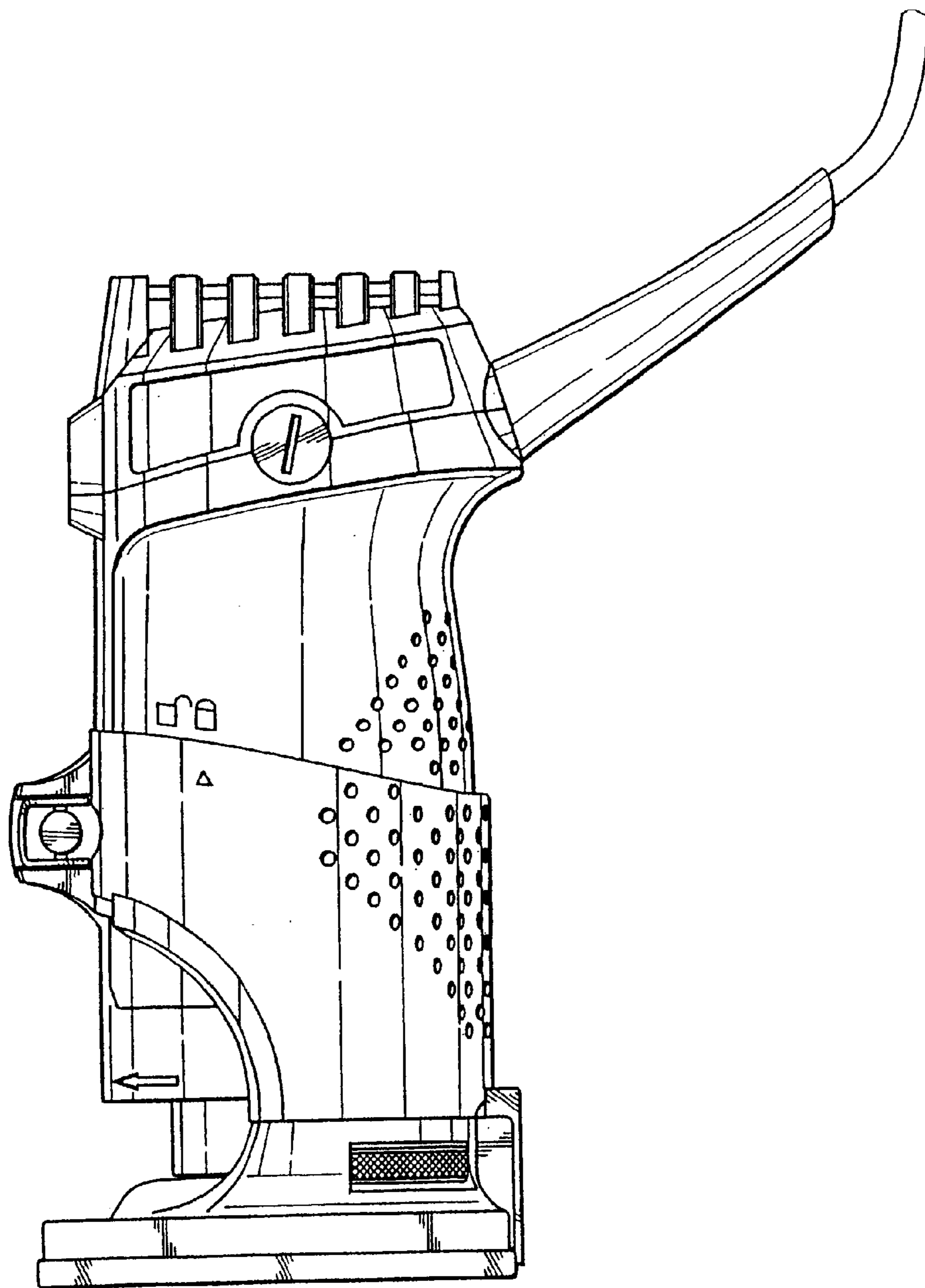


FIG. 3

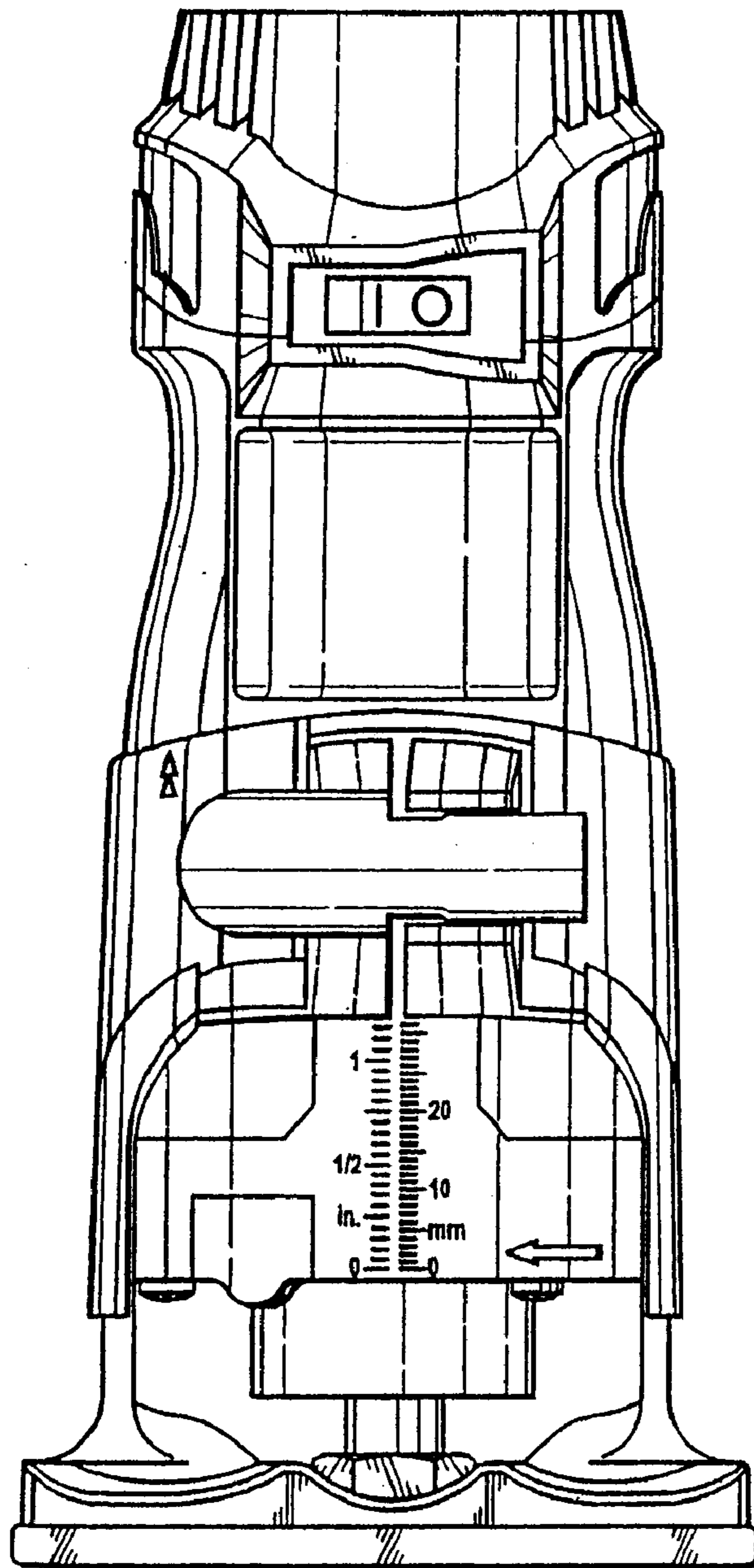


FIG. 4.

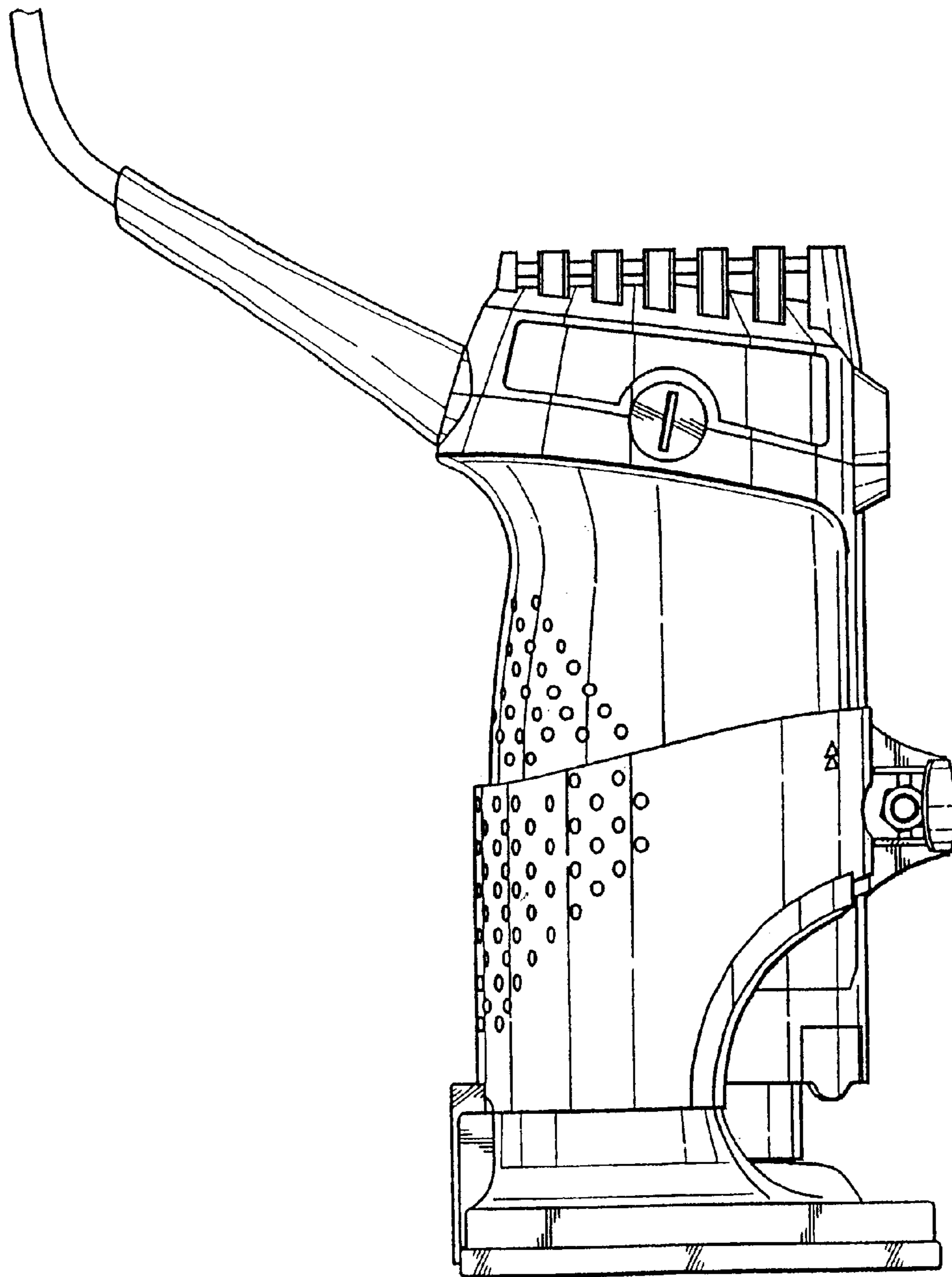


FIG. 5

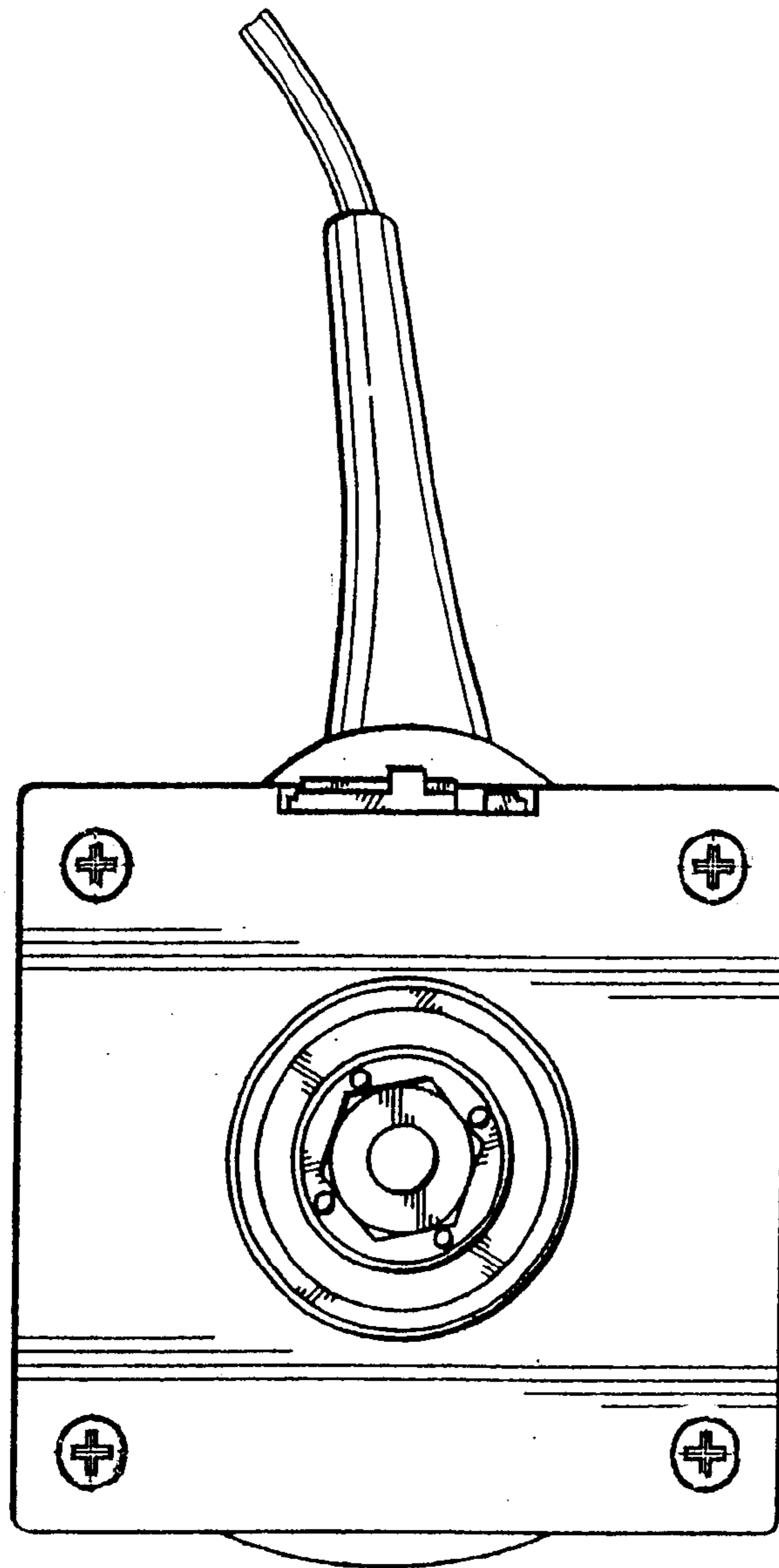


FIG. 6

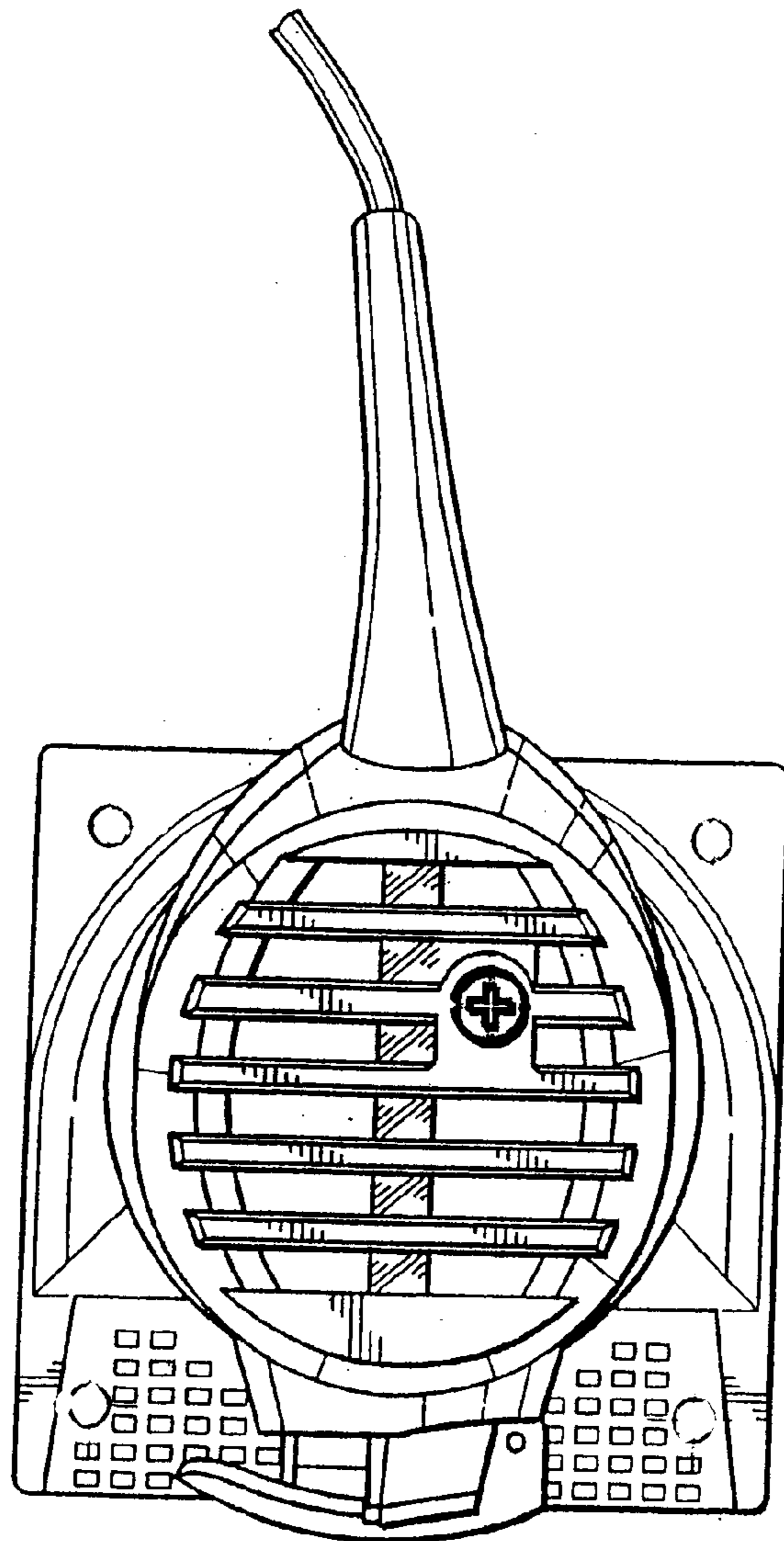


FIG. 7