



US00D538613S

(12) **United States Design Patent**
Murray

(10) **Patent No.:** **US D538,613 S**
(45) **Date of Patent:** **** Mar. 20, 2007**

(54) **BATTERY POWERED SCISSORS**
(75) Inventor: **Christopher J. Murray**, Baltimore, MD (US)
(73) Assignee: **Black & Decker Inc.**, Newark, DE (US)
(**) Term: **14 Years**
(21) Appl. No.: **29/219,574**
(22) Filed: **Dec. 17, 2004**
(51) **LOC (8) Cl.** **08-03**
(52) **U.S. Cl.** **D8/61**
(58) **Field of Classification Search** D8/70, D8/69, 68, 61, 5; D28/53, 54; 30/228, 216; 173/170; 119/610
See application file for complete search history.

5,353,504 A 10/1994 Pai
D496,572 S * 9/2004 Lammers et al. D8/61
D512,796 S * 12/2005 Dirks et al. D28/54
D513,344 S * 12/2005 Choi D28/53

OTHER PUBLICATIONS

Dritz® Electric Scissors; Jo-Ann.com; Feb. 16, 2005.

* cited by examiner

Primary Examiner—Cathron C. Brooks

Assistant Examiner—Austin Murphy

(74) *Attorney, Agent, or Firm*—Wesley W. Muller; Jon Yun; Bruce S. Shapiro

(57) **CLAIM**

The ornamental design for a battery powered scissor, as shown and described.

DESCRIPTION

FIG. 1 is a perspective view of a battery powered scissor of the present invention.

FIG. 2 is a front view of the battery powered scissor according to FIG. 1.

FIG. 3 is a rear view of the battery powered scissor according to FIG. 1.

FIG. 4 is a right side view of the battery powered scissor according to FIG. 1.

FIG. 5 is a left side view of the battery powered scissor according to FIG. 1.

FIG. 6 is a top view of the battery powered scissor according to FIG. 1; and,

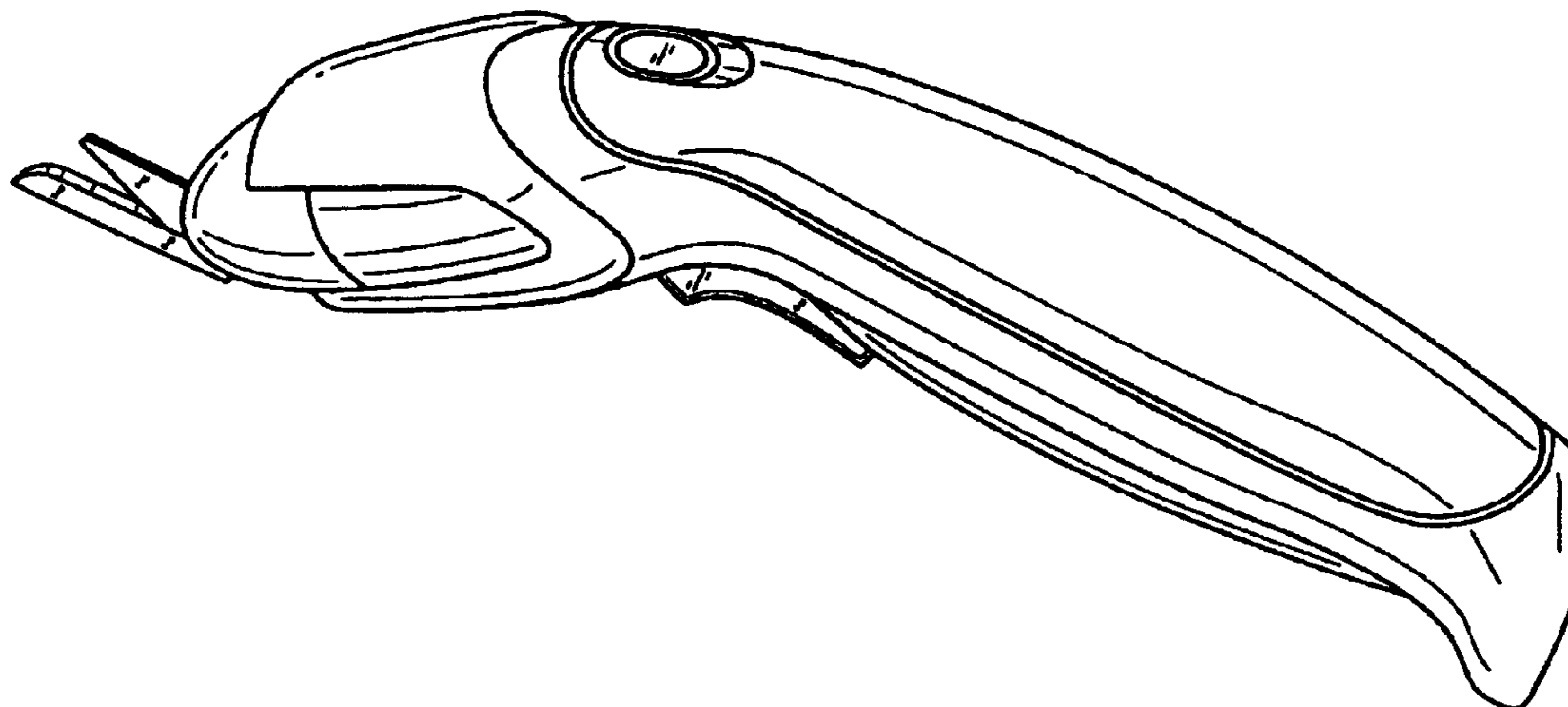
FIG. 7 is a bottom view of the battery powered scissor according to FIG. 1.

(56) **References Cited**

U.S. PATENT DOCUMENTS

1,680,627 A * 8/1928 Mings et al. 30/228
3,365,963 A 1/1968 Happe
D217,705 S * 6/1970 Glaus D8/61
D221,128 S * 7/1971 Current D8/61
D222,332 S * 10/1971 Current D8/61
D222,660 S * 11/1971 Miller D8/61
3,631,596 A 1/1972 Glaus
D223,987 S * 6/1972 Gamble D8/61
D228,615 S * 10/1973 Hall D8/61
3,981,275 A * 9/1976 Schimoler 119/610
4,756,085 A 7/1988 Lebessis
4,791,726 A * 12/1988 Ailey, Jr. 30/228
D308,809 S * 6/1990 Kawabata D8/61

1 Claim, 6 Drawing Sheets



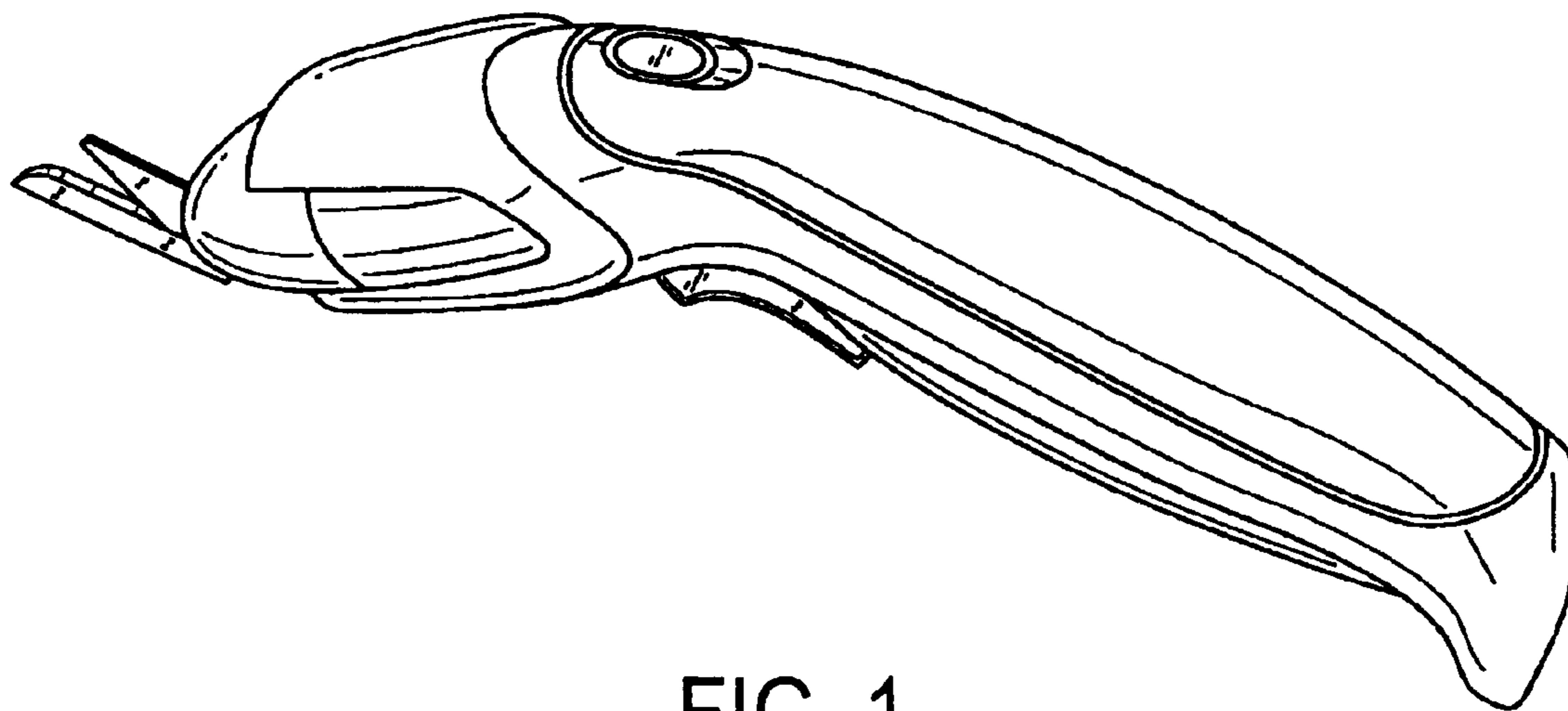


FIG. 1

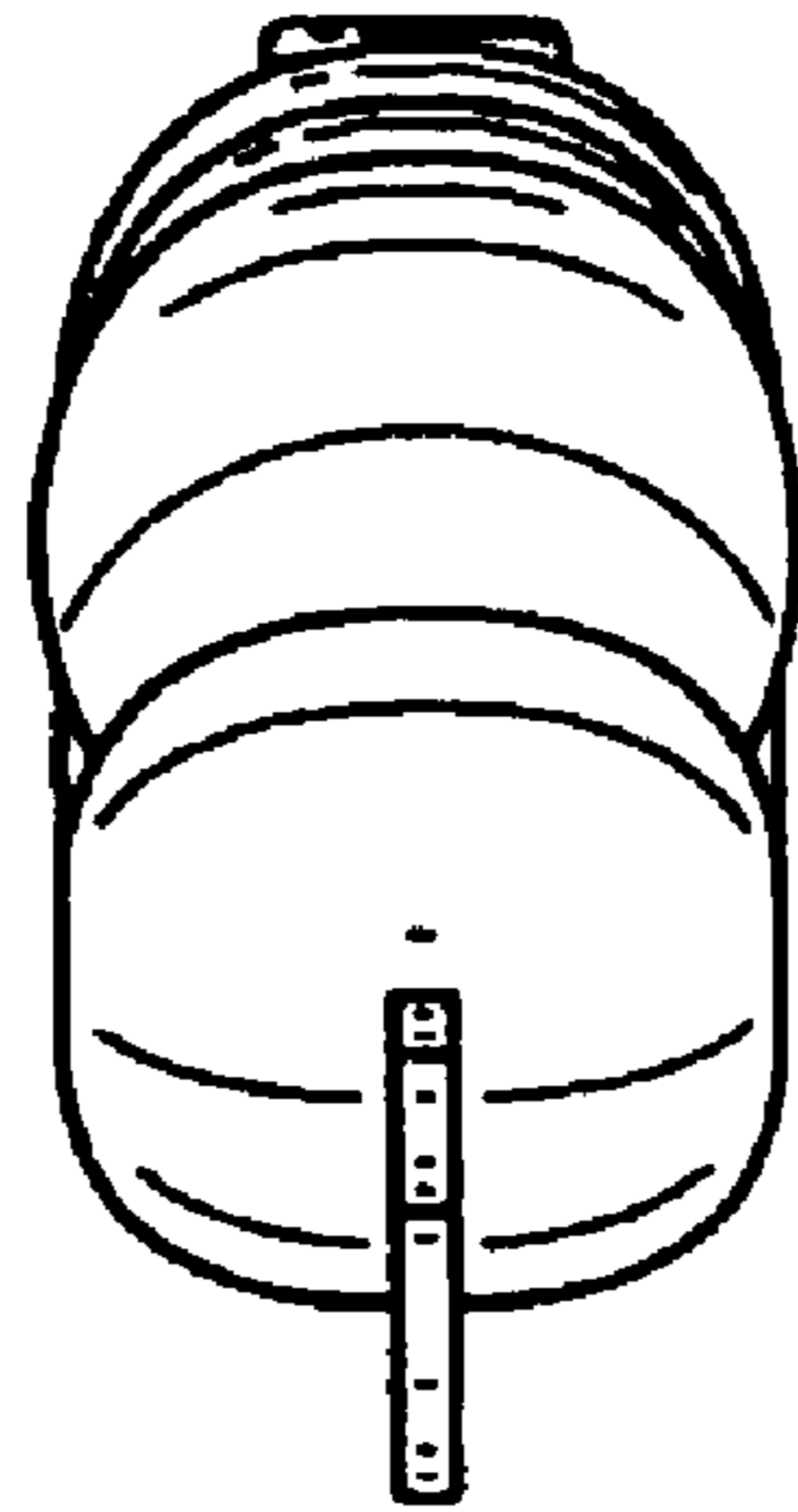


FIG. 2

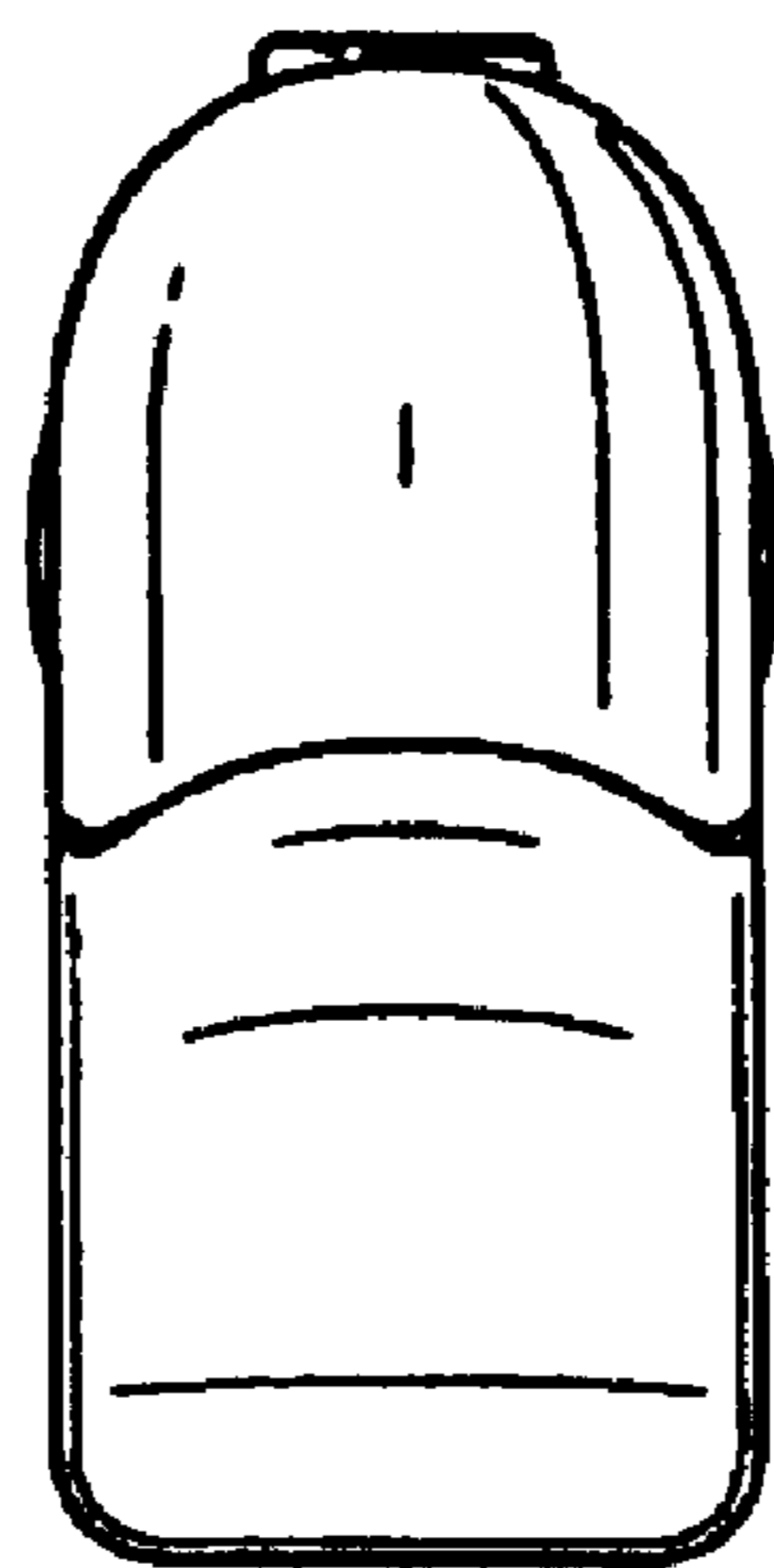


FIG. 3

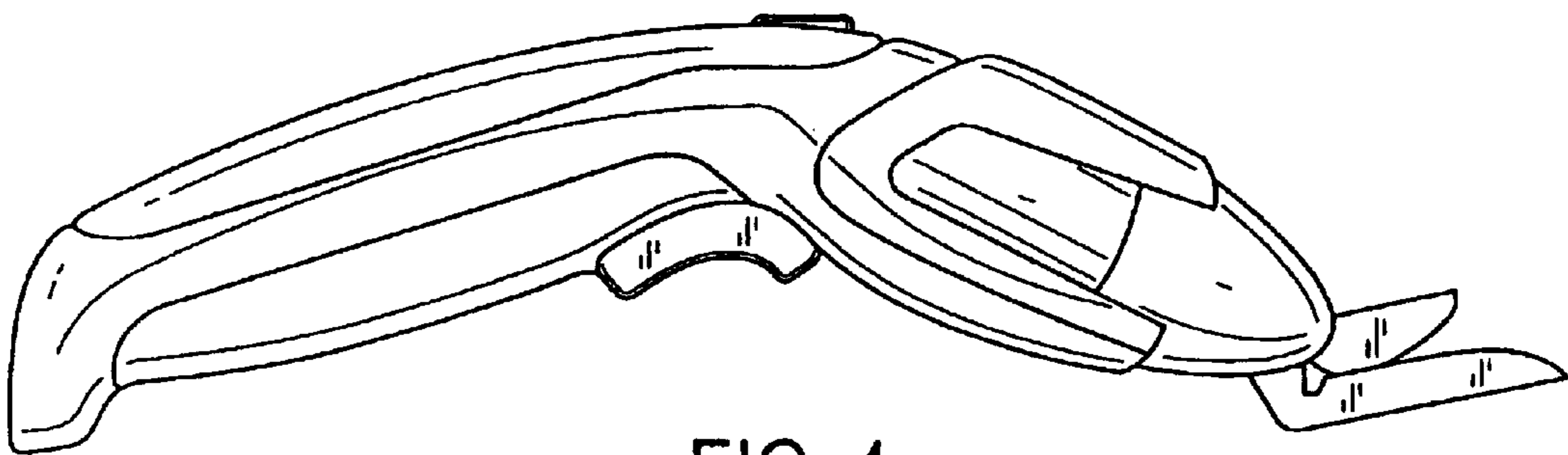


FIG. 4

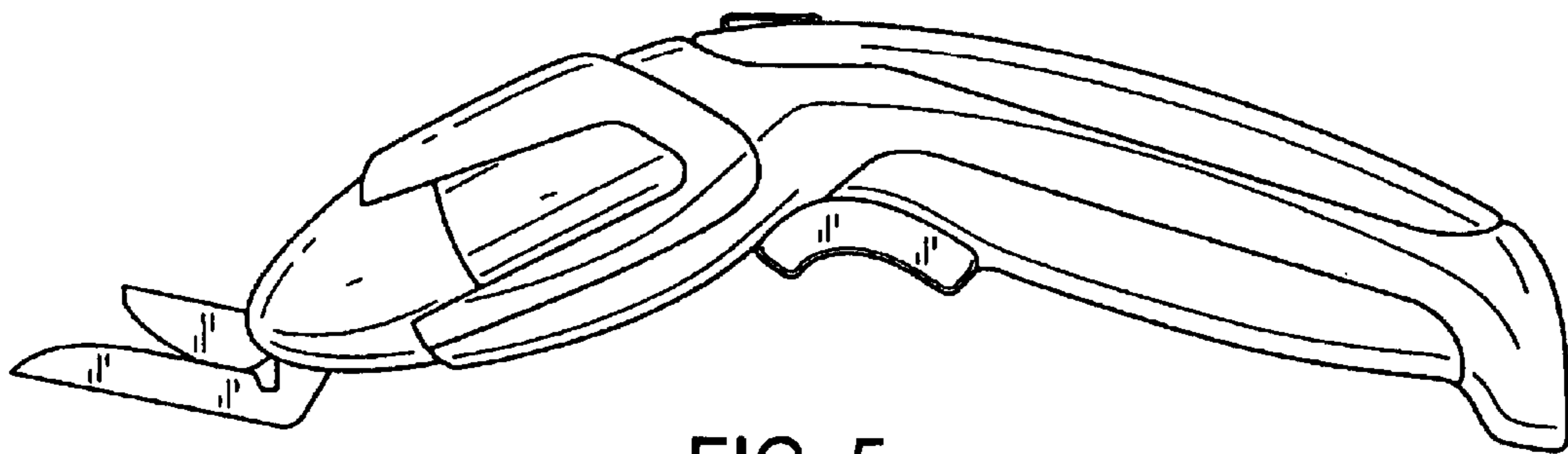


FIG. 5

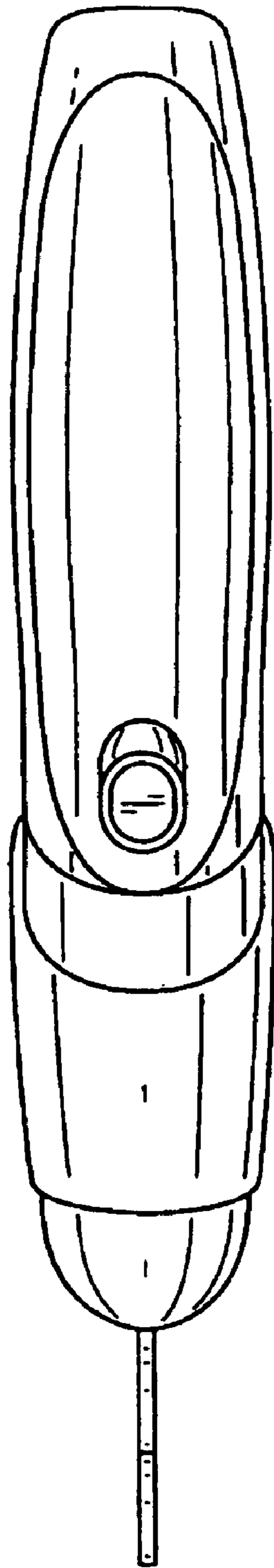


FIG. 6

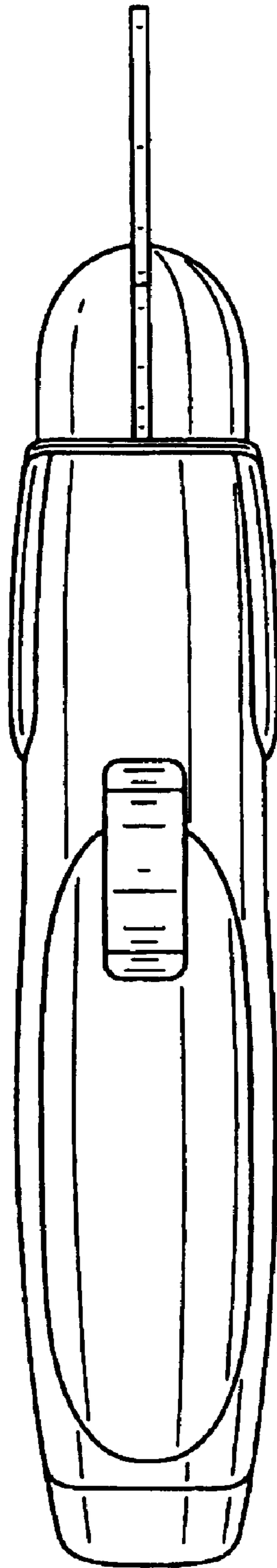


FIG. 7