



US00D538611S

(12) **United States Design Patent**  
**Morris et al.**

(10) **Patent No.:** **US D538,611 S**

(45) **Date of Patent:** **\*\* Mar. 20, 2007**

(54) **LID LIFTER**

(75) Inventors: **Garvin Clay Morris**, Harriman, TN (US); **Bryan Woody**, Kingston, TN (US); **Daryl Lance Lowe**, Knoxville, TN (US); **Phillip Norman**, Oak Ridge, TN (US)

(73) Assignee: **Duratek, Inc.**, Columbia, MD (US)

(\*\*) Term: **14 Years**

(21) Appl. No.: **29/236,597**

(22) Filed: **Aug. 18, 2005**

(51) **LOC (8) Cl.** ..... **08-05**

(52) **U.S. Cl.** ..... **D8/14**

(58) **Field of Classification Search** ..... D8/14, D8/88, 89; 294/15, 27.1; 254/113, 119, 120; 7/151, 167; 81/3.36, 3.57

See application file for complete search history.

(56) **References Cited**

**U.S. PATENT DOCUMENTS**

218,865 A	8/1879	Eagan	
250,086 A	11/1881	Lindsay	
687,889 A	12/1901	Kulp	
1,066,923 A	7/1913	Kuekes	
1,319,324 A	10/1919	Clement	
1,334,510 A	3/1920	Waterbury	
2,178,738 A	11/1939	Chenette	
2,210,904 A	8/1940	Durant	
3,262,727 A	7/1966	Blackaby	
D254,834 S	* 4/1980	Madsen et al.	..... D8/18
D255,317 S	6/1980	Slinkard	

D263,673 S	* 4/1982	Sheehan	..... D8/18
D271,420 S	* 11/1983	Sierra	..... D24/212
D276,304 S	* 11/1984	DiFede	..... D8/40
4,586,404 A	* 5/1986	Ginther	..... 81/3.57
4,881,432 A	* 11/1989	Olorenshaw et al.	..... 81/3.36
D304,992 S	* 12/1989	Matthies	..... D8/40
5,069,090 A	* 12/1991	Clark	..... 81/3.09
5,222,265 A	* 6/1993	Hermansson	..... 7/156
5,476,023 A	* 12/1995	Calandro	..... 81/3.57
5,522,116 A	6/1996	Enneking et al.	
D422,860 S	* 4/2000	Vinar	..... D8/40
D471,420 S	* 3/2003	Hidalgo	..... D8/89
D480,282 S	10/2003	Frantz	
2003/0030292 A1	2/2003	Fredrickson	
2004/0217609 A1	11/2004	Freiling et al.	

\* cited by examiner

*Primary Examiner*—Philip S. Hyder

(74) *Attorney, Agent, or Firm*—Douglas W. Kim; McNair Law Firm, P.A.

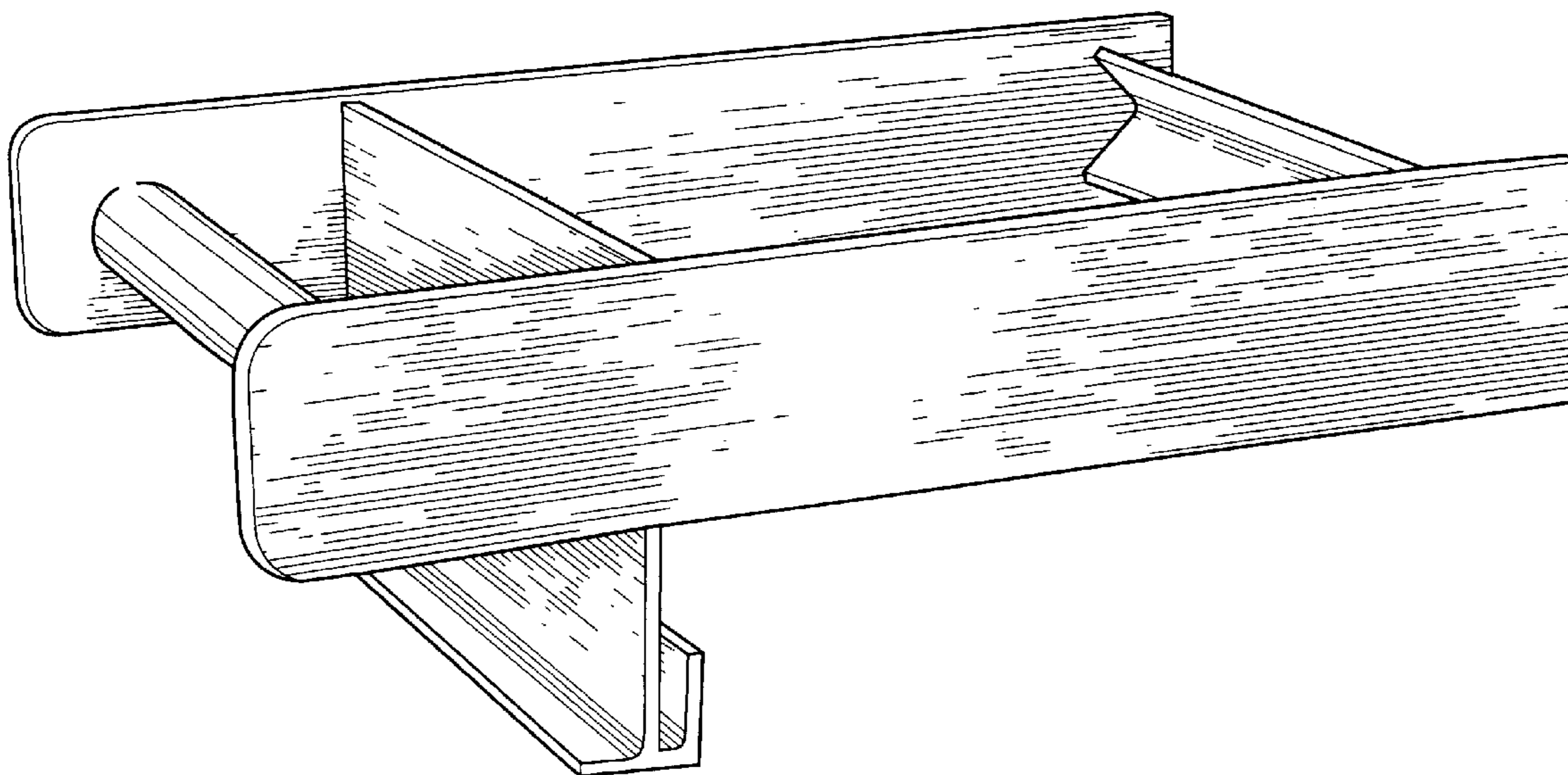
(57) **CLAIM**

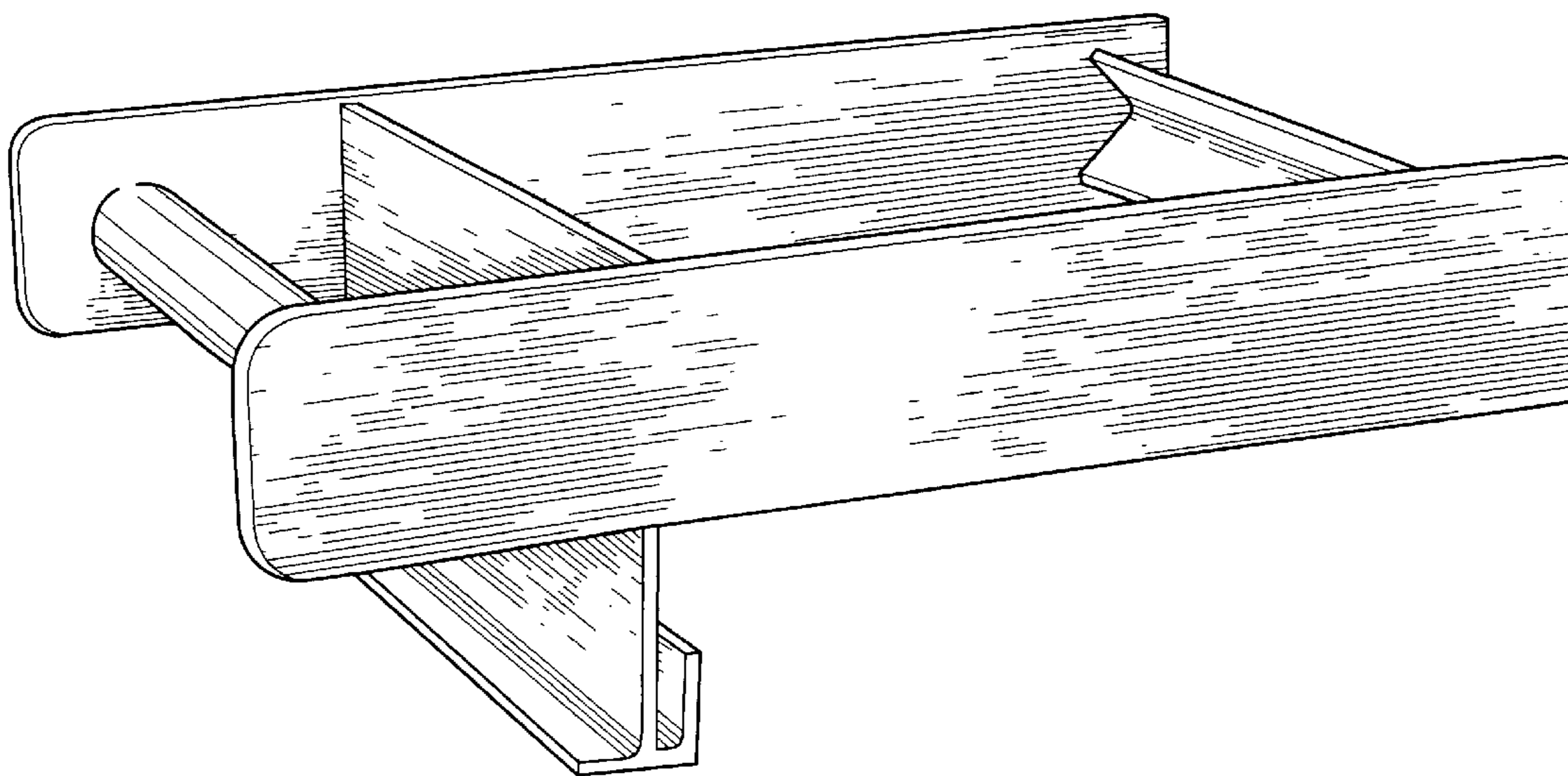
The ornamental design for a lid lifter, as shown and described.

**DESCRIPTION**

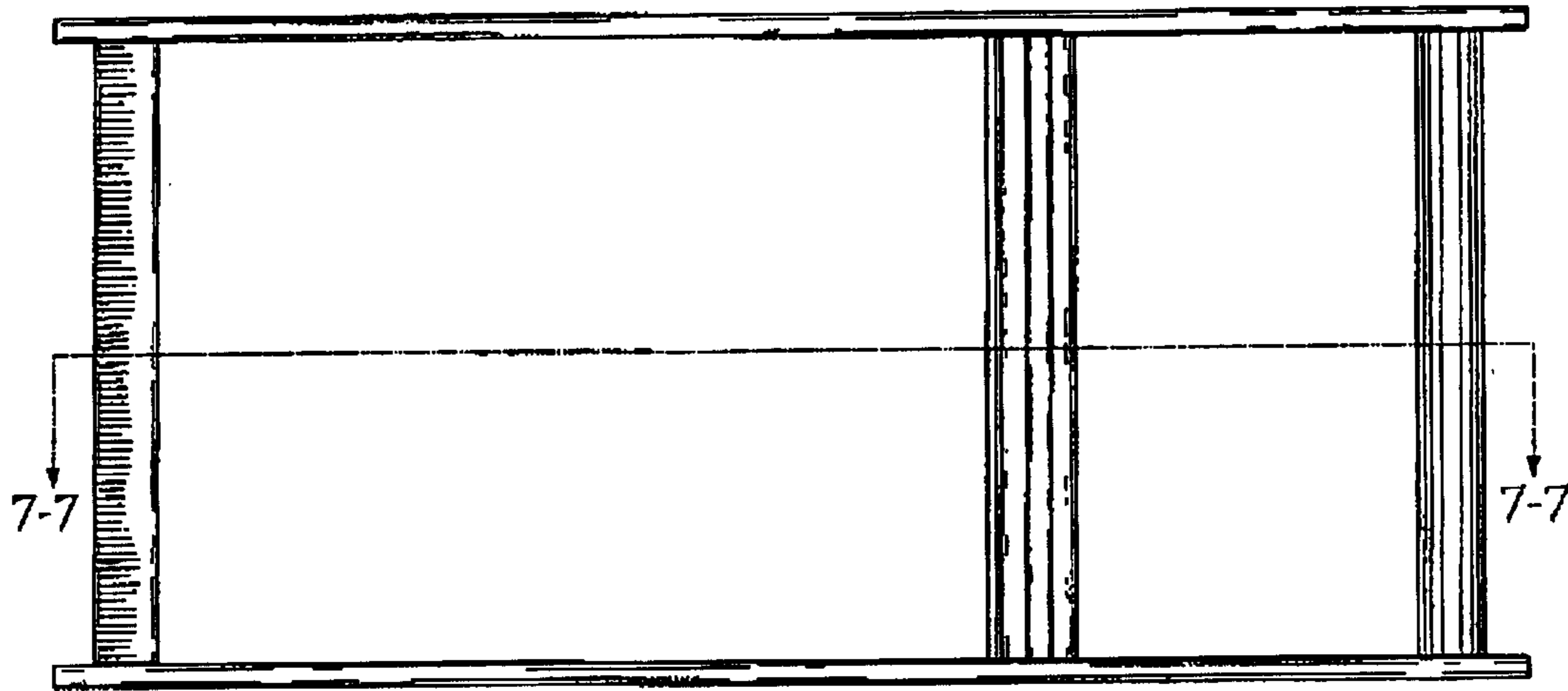
FIG. 1 is a perspective view of our new design; FIG. 2 is a top view of our new design; FIG. 3 is a bottom view of our new design; FIG. 4 is a front view of our new design; FIG. 5 is a back view of our new design; FIG. 6 is a side view of our new design; and, FIG. 7 is a cross-section view of our new design, taken along line 7—7 of FIG. 2.

**1 Claim, 4 Drawing Sheets**

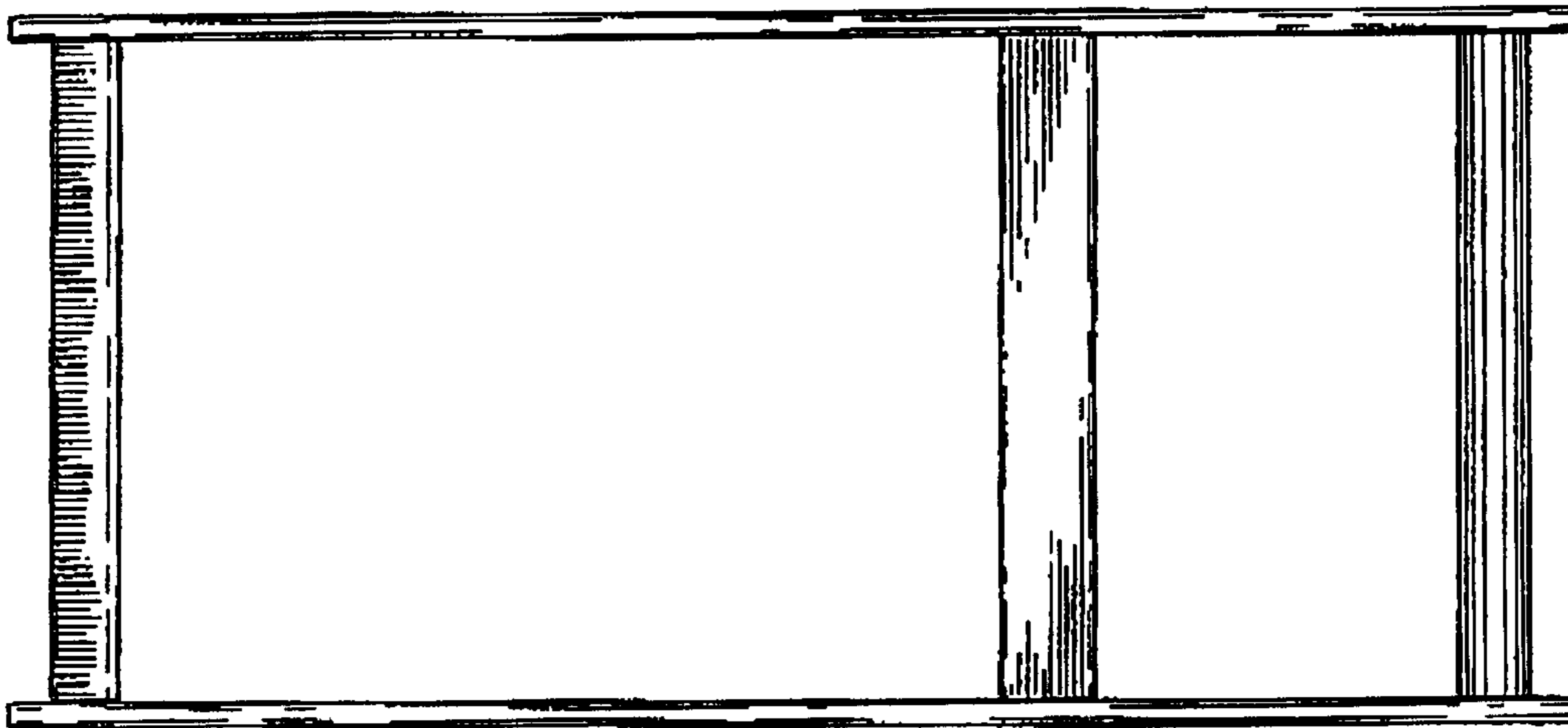




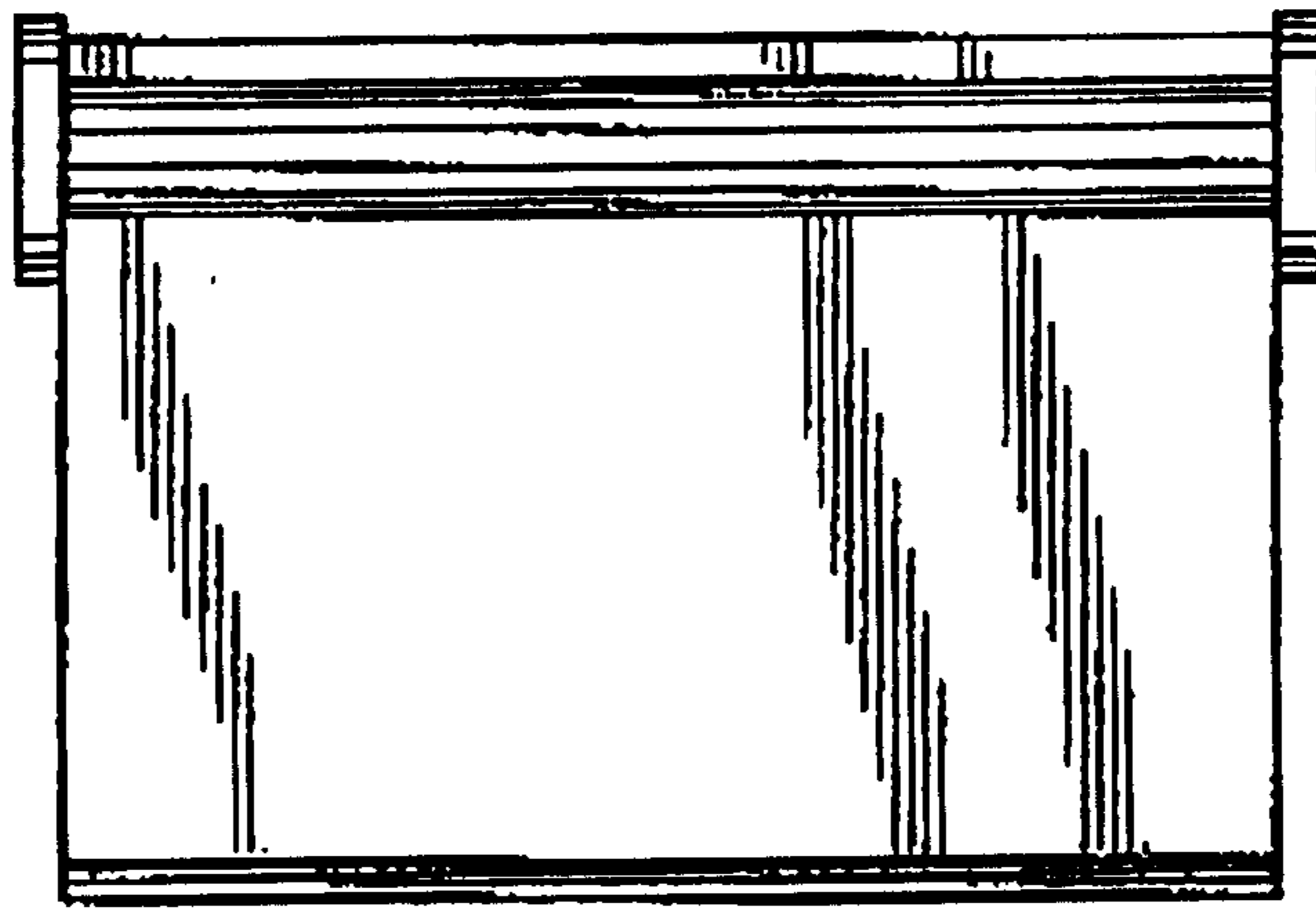
*Fig. 1*



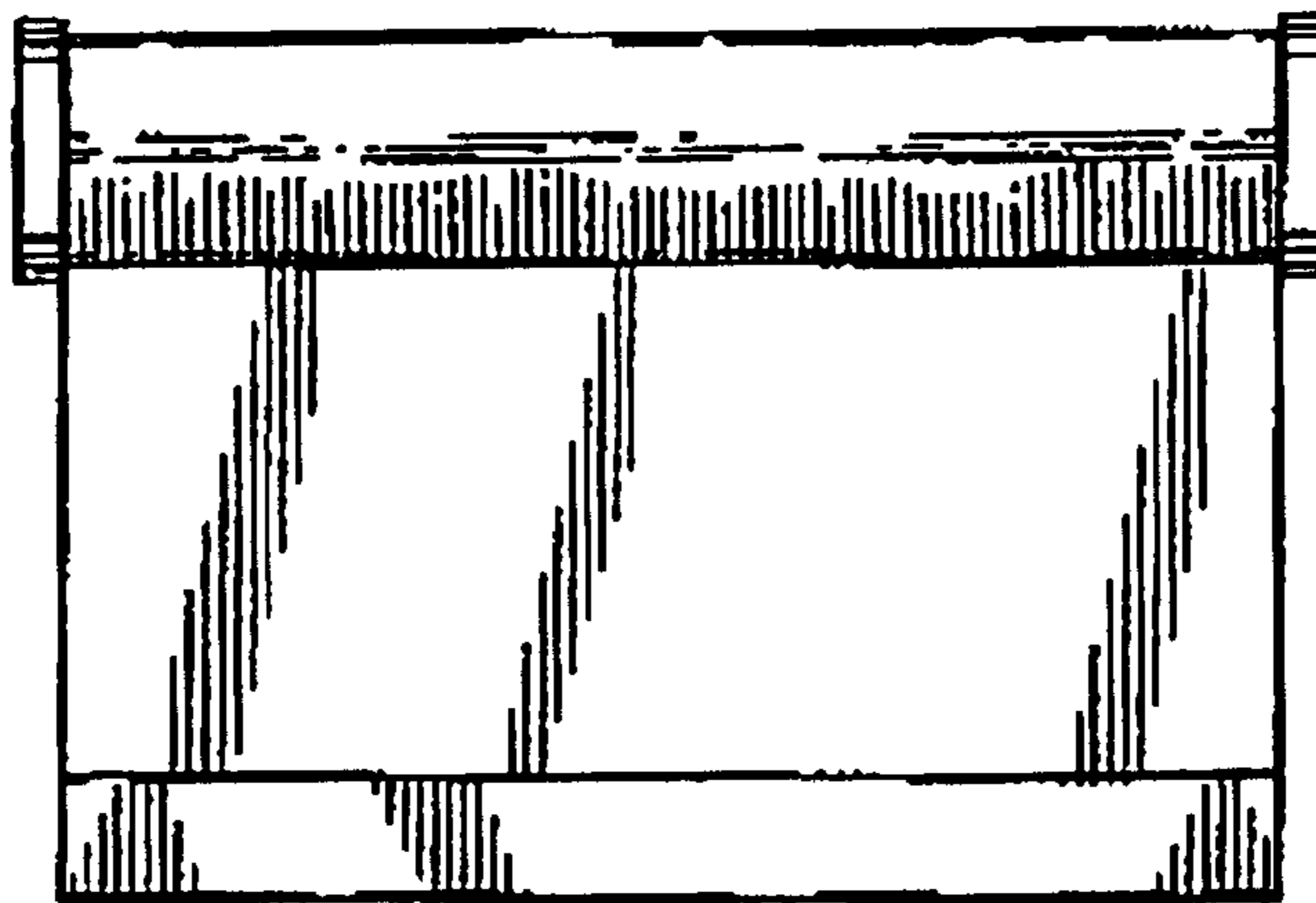
*Fig. 2*



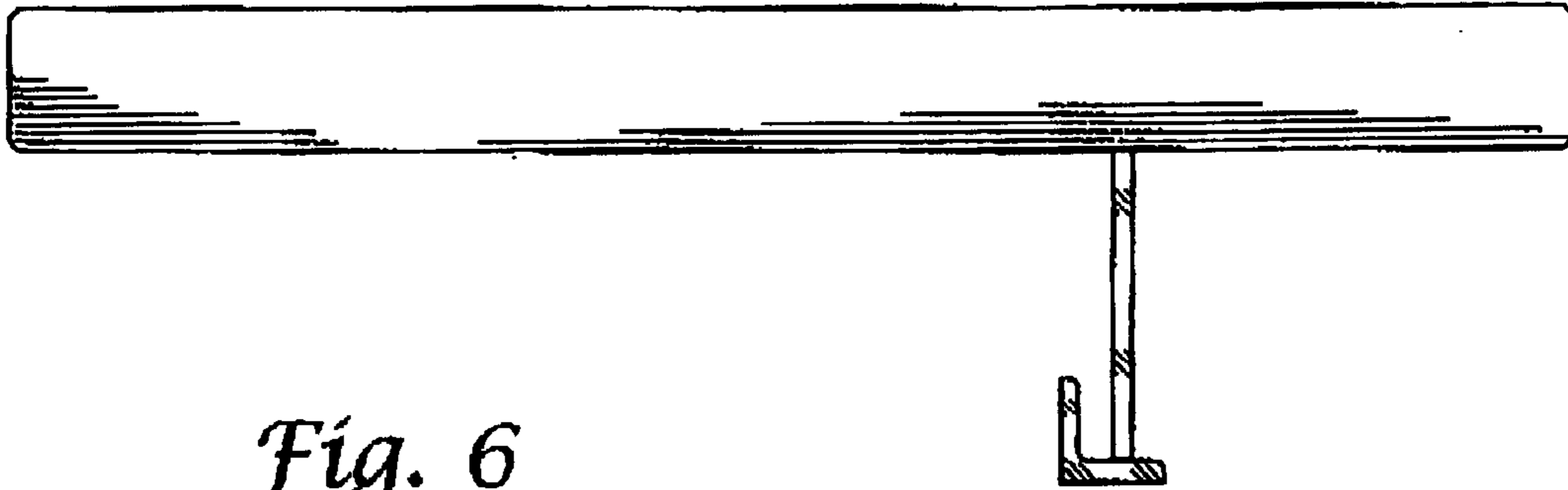
*Fig. 3*



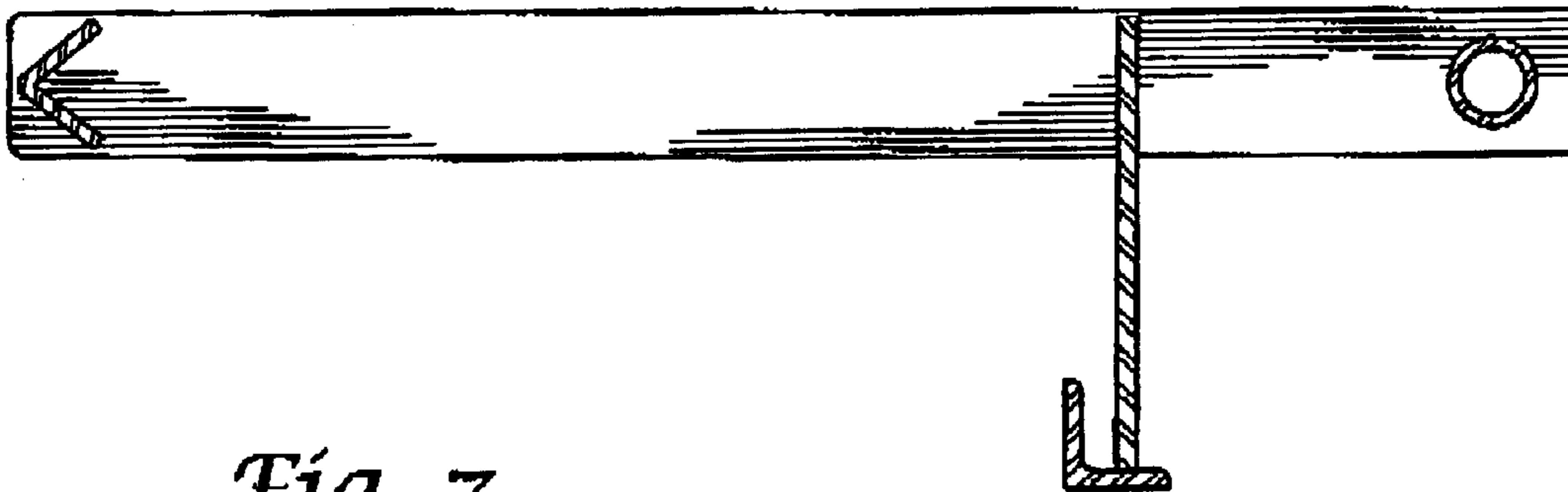
*Fig. 4*



*Fig. 5*



*Fig. 6*



*Fig. 7*