

US00D538610S

(12) **United States Design Patent**  
**Bryant**

(10) **Patent No.:** **US D538,610 S**

(45) **Date of Patent:** **\*\* Mar. 20, 2007**

- (54) **TIMING AND HEADSPACE ADJUSTMENT TOOL**
- (76) Inventor: **Benjamin S. Bryant**, 956 Timberwood Dr., Radcliff, KY (US) 40160
- (\*\*) Term: **14 Years**
- (21) Appl. No.: **29/229,588**
- (22) Filed: **May 9, 2005**
- (51) **LOC (8) Cl.** ..... **08-05**
- (52) **U.S. Cl.** ..... **D8/14**
- (58) **Field of Classification Search** ..... D8/14, D8/16, 18-19, 40, 88-89, 105, 499; 254/1, 254/18, 22, 25; 29/225, 426.1; 89/9, 125; 81/3.05

See application file for complete search history.

(56) **References Cited**

**U.S. PATENT DOCUMENTS**

1,547,072 A	7/1925	Silcott	
2,331,920 A	* 10/1943	McMaster	29/225
2,364,487 A	12/1944	Swartz	
D161,711 S	* 1/1951	Romak	D8/88
2,645,160 A	* 7/1953	Gilligan	89/180
2,741,011 A	4/1956	Kuper	
D222,659 S	* 11/1971	Hillis	D8/40
4,440,064 A	* 4/1984	Stehlik	89/136
4,442,619 A	* 4/1984	McCarley	42/90
4,483,060 A	11/1984	Farrar et al.	
4,720,030 A	1/1988	Petrovich	
4,819,289 A	4/1989	Gibbs	
D302,514 S	* 8/1989	Gates	D8/105
4,862,544 A	9/1989	Wallace	
4,901,411 A	2/1990	Chestnut et al.	
4,976,022 A	12/1990	Thornton et al.	
D319,954 S	* 9/1991	Able et al.	D8/18
D335,805 S	* 5/1993	Ransom	D8/51

5,309,662 A	* 5/1994	Goodwin et al.	42/105
5,345,664 A	9/1994	McMahon et al.	
5,417,003 A	* 5/1995	Claveau	42/90
D359,894 S	* 7/1995	Pomeroy	D8/16
D368,839 S	* 4/1996	Hunter	D8/88
D387,253 S	* 12/1997	Fakier	D8/14
5,695,172 A	* 12/1997	Hreha	254/25
D393,195 S	* 4/1998	Rose, III	D8/89
D407,958 S	4/1999	Royse, III	
D416,178 S	* 11/1999	Moore et al.	D8/16
D428,783 S	* 8/2000	Precetti et al.	D8/40
D444,690 S	* 7/2001	Bond	D8/89
D493,086 S	* 7/2004	Taylor et al.	D8/89
6,804,869 B1	* 10/2004	Tong	29/426.1
6,920,807 B2	* 7/2005	Bond	81/45
D511,287 S	* 11/2005	Lake	D8/89
2005/0062026 A1	* 3/2005	Holcomb	254/25
2006/0067799 A1	* 3/2006	Kister et al.	408/115 R

\* cited by examiner

*Primary Examiner*—Philip S. Hyder

*Assistant Examiner*—RoseLynne (Ulm) Cody

(74) *Attorney, Agent, or Firm*—Laura M. Hagan; Kerrick Stivers Coyle & Van Zant

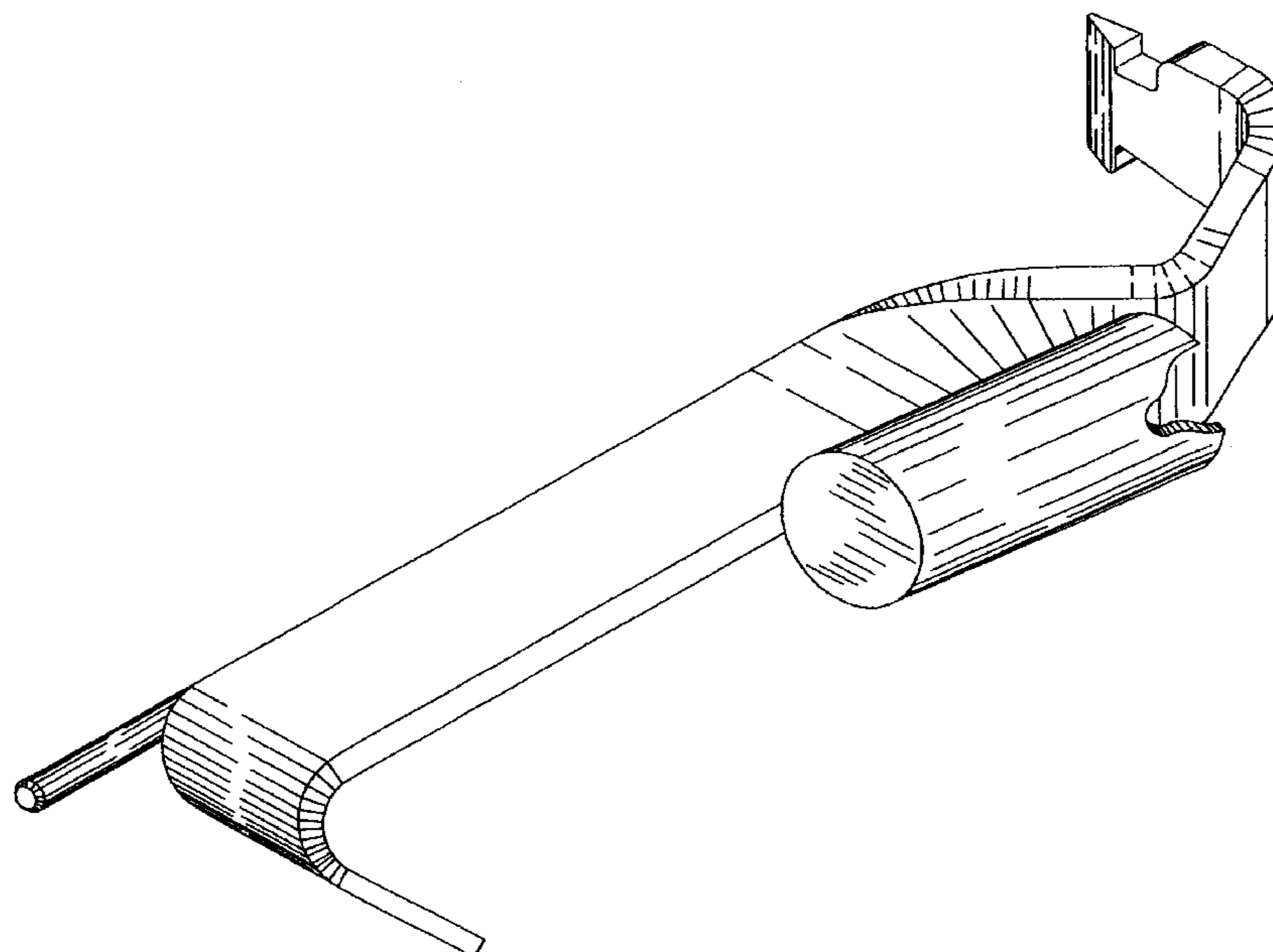
(57) **CLAIM**

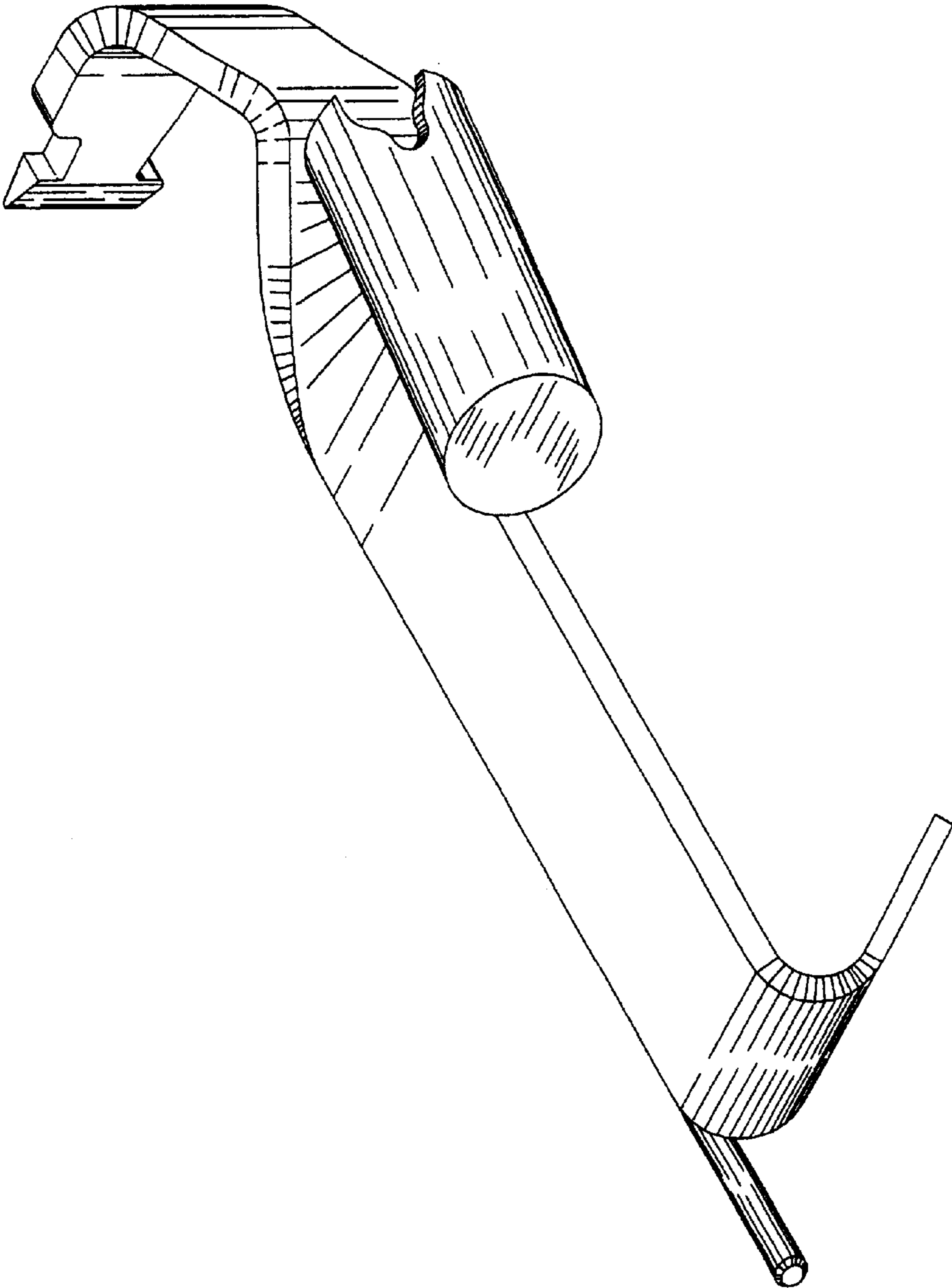
I claim the ornamental design for a “timing and headspace adjustment tool,” as shown and described.

**DESCRIPTION**

FIG. 1 is a top perspective view of the “timing and headspace adjustment tool,” showing my new design;  
 FIG. 2 is a top plan view thereof;  
 FIG. 3 is a bottom plan view thereof;  
 FIG. 4 is a right-side elevation view thereof;  
 FIG. 5 is a left-side elevation view thereof;  
 FIG. 6 is a front elevation view thereof; and,  
 FIG. 7 is a rear elevation view thereof.

**1 Claim, 4 Drawing Sheets**





**FIGURE 1**

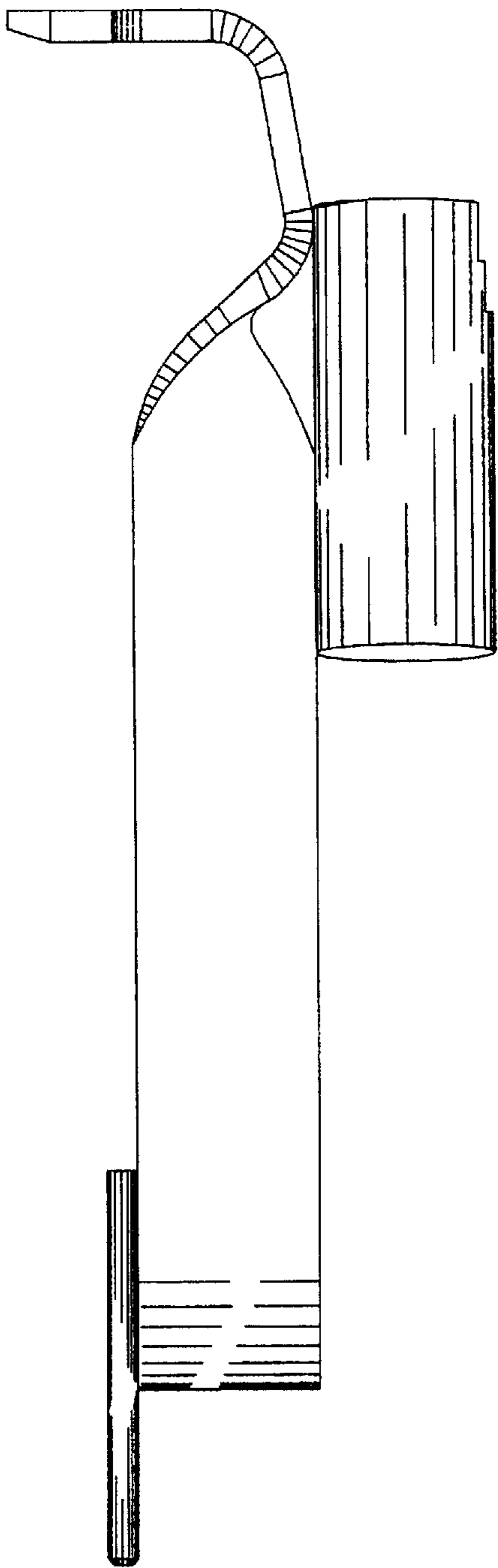


FIGURE 2

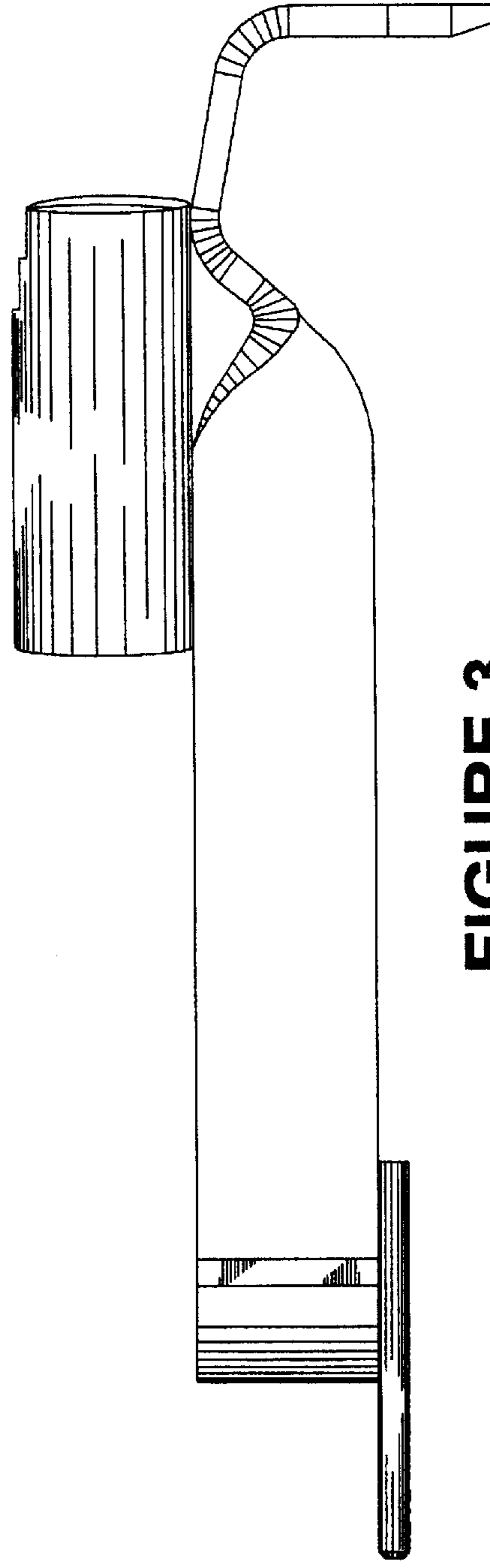
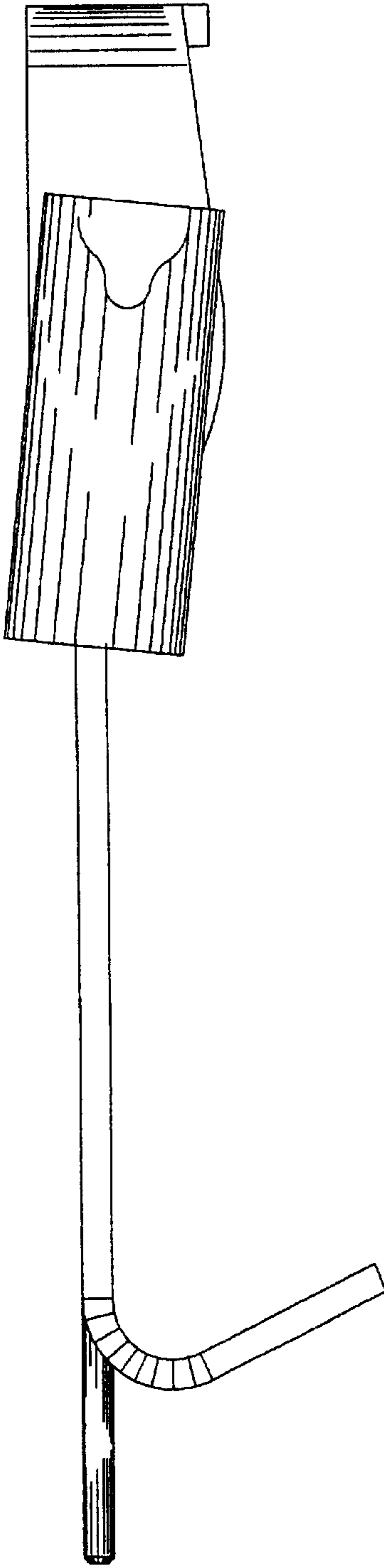
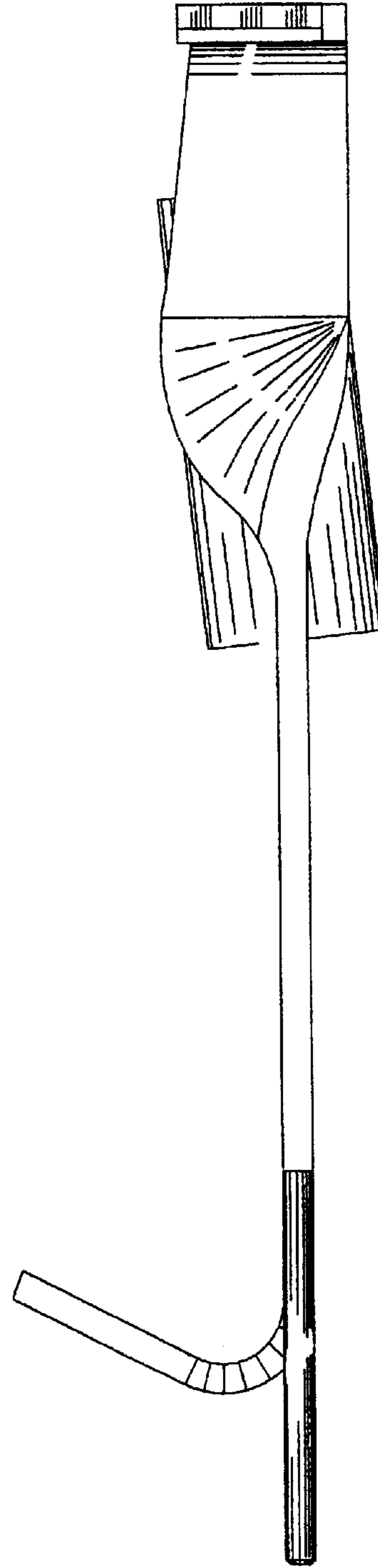


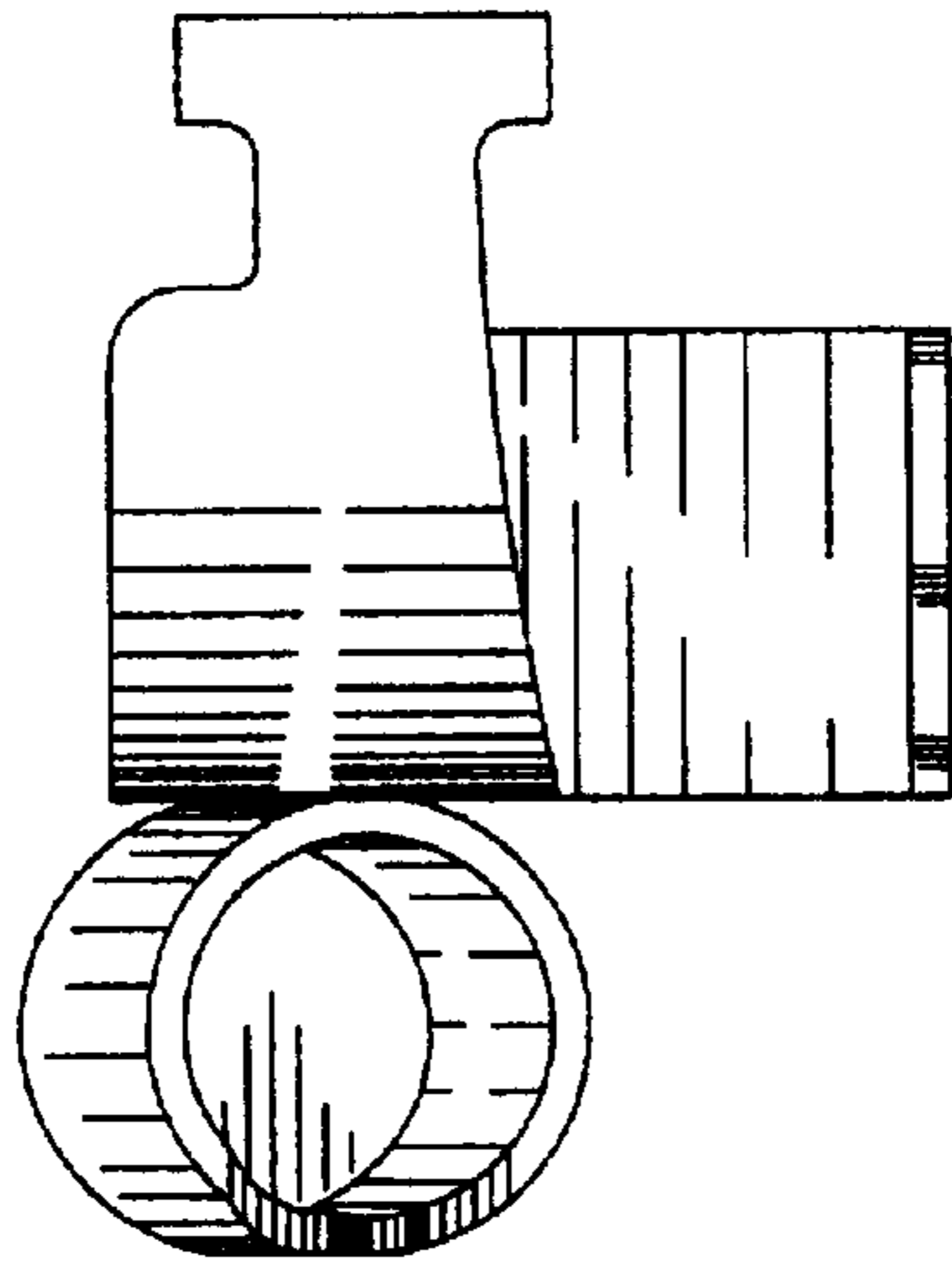
FIGURE 3



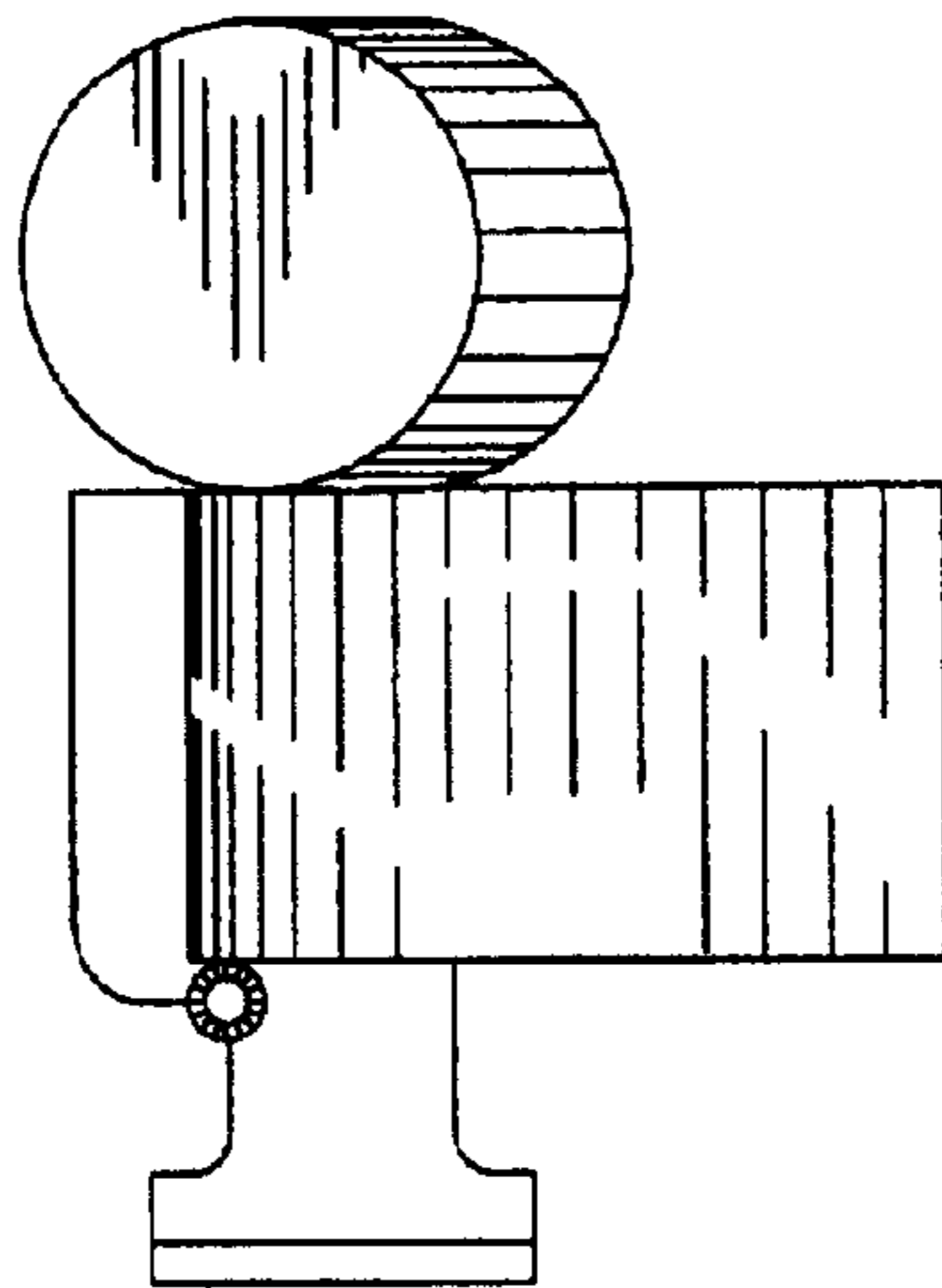
**FIGURE 4**



**FIGURE 5**



**FIGURE 7**



**FIGURE 6**