

US00D538609S

(12) **United States Design Patent**
Goodman et al.

(10) **Patent No.:** **US D538,609 S**
(45) **Date of Patent:** **** Mar. 20, 2007**

(54) **WINE RACK**

(75) Inventors: **Sheldon H. Goodman**, Solon, OH
(US); **Robert L. Blackadar**, Media,
OH (US)

(73) Assignee: **Spectrum Diversified Designs, Inc.**,
Streetsboro, OH (US)

(**) Term: **14 Years**

(21) Appl. No.: **29/258,170**

(22) Filed: **Apr. 18, 2006**

Related U.S. Application Data

(63) Continuation-in-part of application No. 29/243,477, filed on
Nov. 23, 2005, now Pat. No. Des. 526,168.

(51) **LOC (8) Cl.** **06-04**

(52) **U.S. Cl.** **D7/704**

(58) **Field of Classification Search** D7/701-708,
D7/600.1-600.4; D6/411, 464, 465, 458,
D6/512, 546; 211/41.11, 74, 71.01, 181.1,
211/85.31

See application file for complete search history.

(56) **References Cited**

U.S. PATENT DOCUMENTS

D178,752 S * 9/1956 Berg D7/704

2,972,414 A * 2/1961 Sipe 211/41.11
D364,074 S * 11/1995 Yeh D7/704
D393,783 S * 4/1998 Goodman D7/704
D447,393 S * 9/2001 Bodum D7/707
6,564,950 B1 * 5/2003 Holm 211/85.31

* cited by examiner

Primary Examiner—Terry A. Wallace

(74) *Attorney, Agent, or Firm*—Pearne & Gordon LLP

(57) **CLAIM**

The ornamental design for a wine rack, as shown and
described.

DESCRIPTION

FIG. 1 is a perspective view of a wine rack, showing our new
design;

FIG. 2 is a side elevational view thereof;

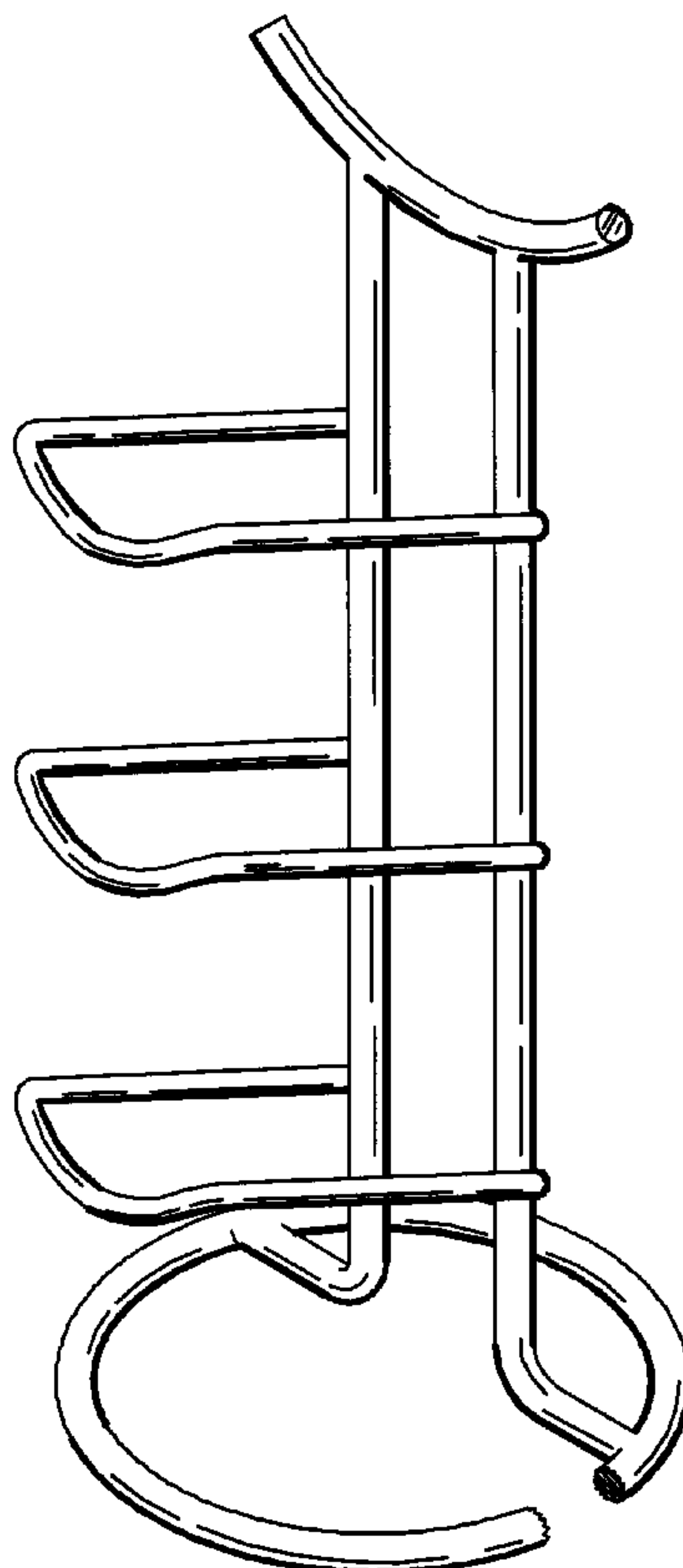
FIG. 3 is a top plan view thereof; and,

FIG. 4 is a front elevational view thereof.

The portion of the peripheral member that is shown broken
away indicates that the space between the two ends may
vary.

The cross-hatching does not indicate a type of material, but
only identifies the section break.

1 Claim, 2 Drawing Sheets



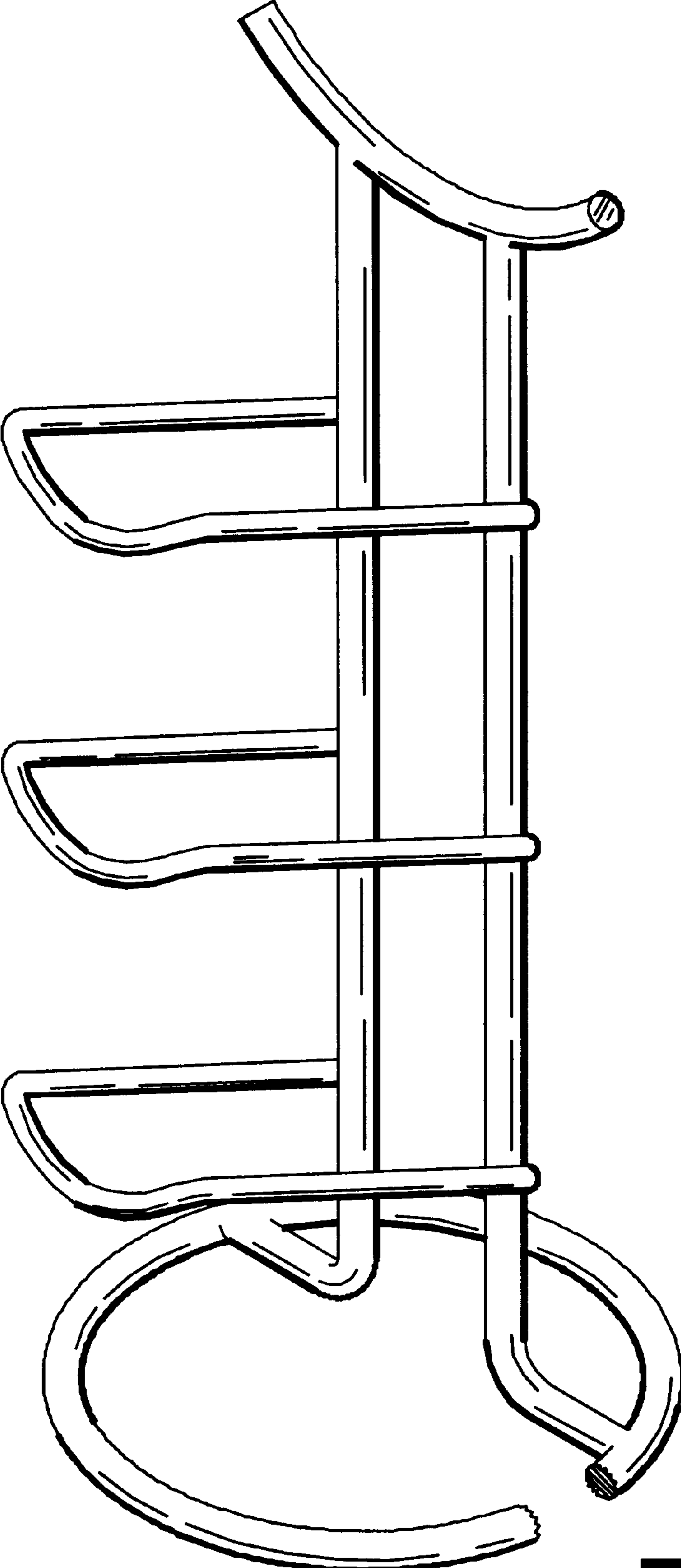


Fig. 1

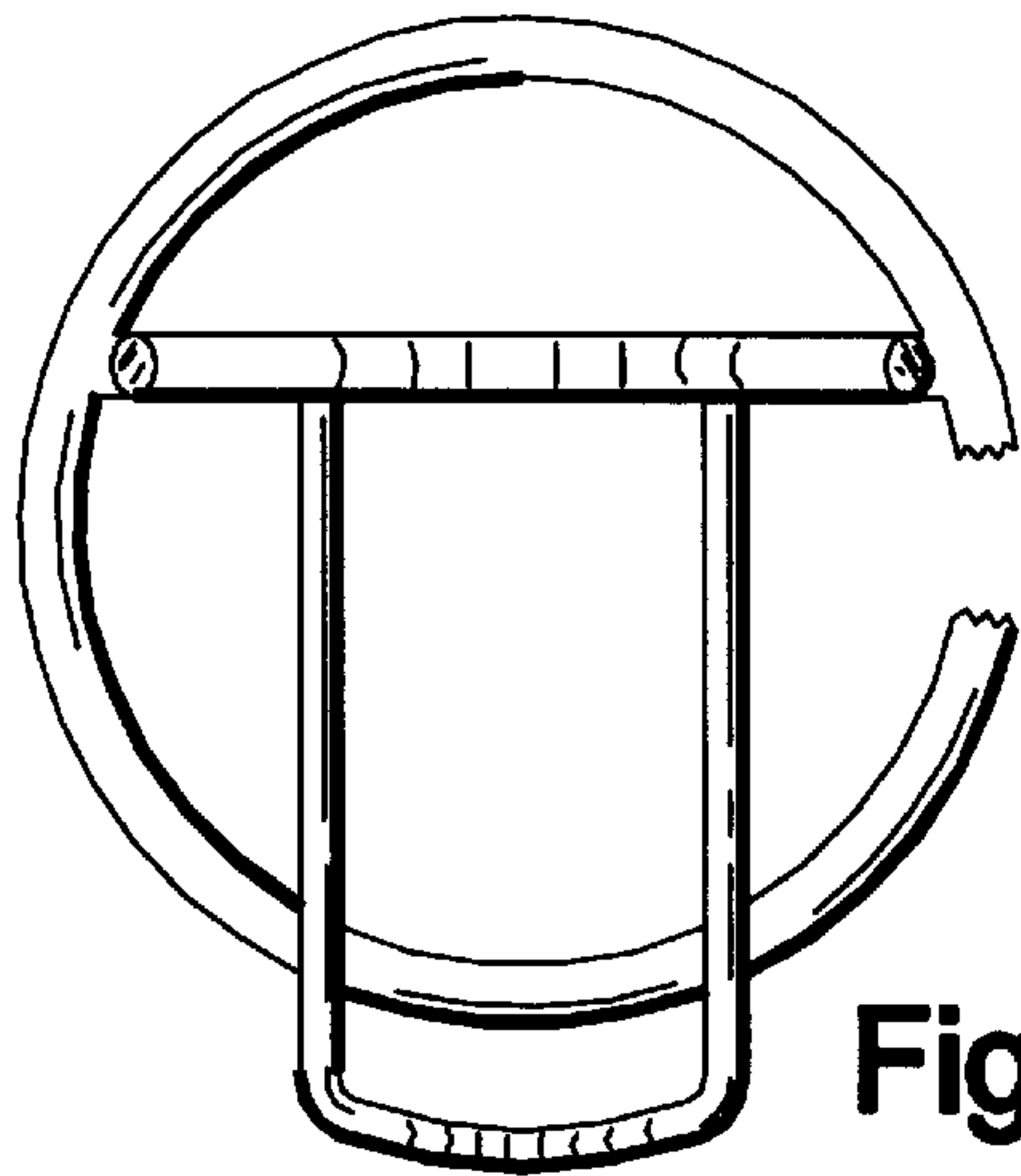


Fig. 3

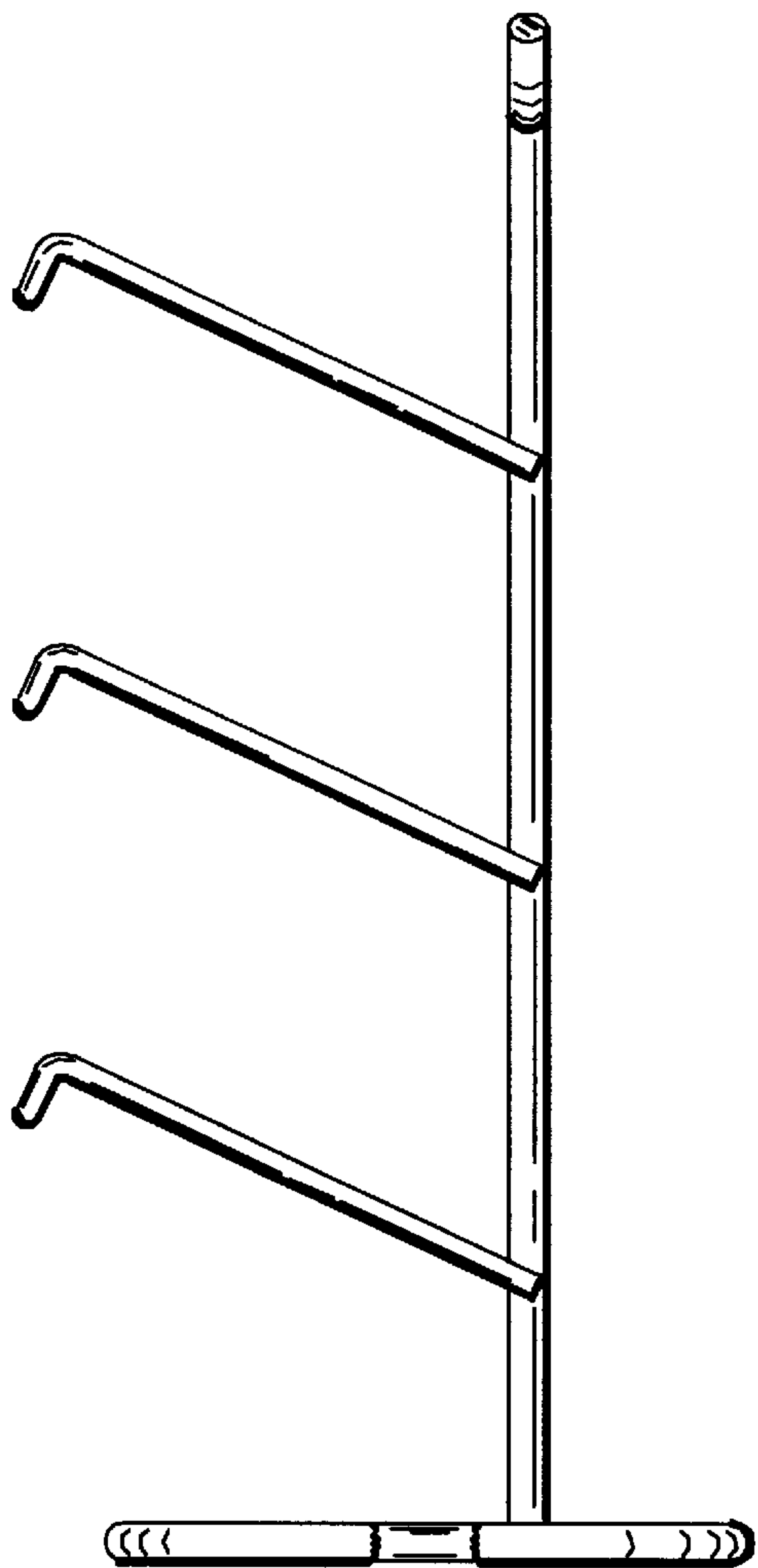


Fig. 2

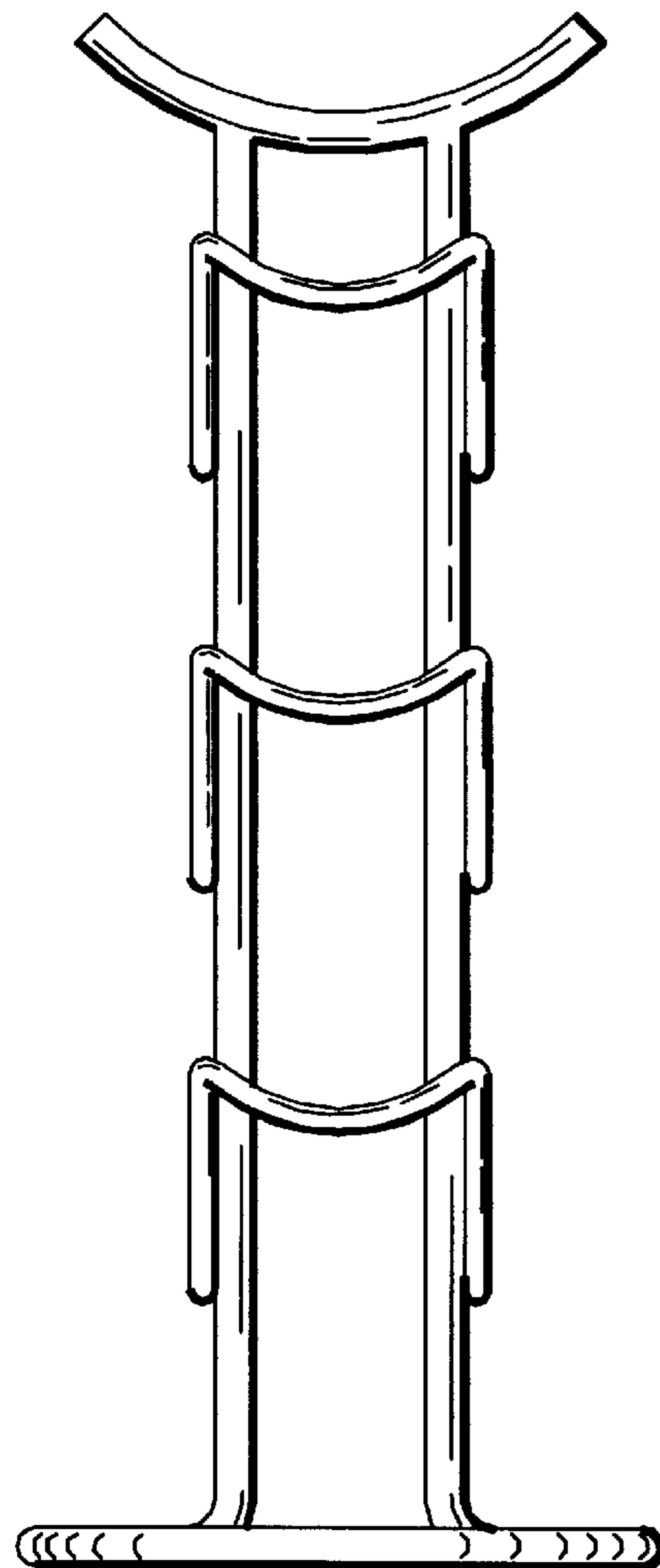


Fig. 4