

US00D538606S

(12) **United States Design Patent**  
**Hood**

(10) **Patent No.:** **US D538,606 S**  
(45) **Date of Patent:** **\*\* Mar. 20, 2007**

(54) **SALAD SPINNER**  
(75) Inventor: **Lance Logan Hood**, Seattle, WA (US)  
(73) Assignee: **Kwok Kuen So**, Hong Kong (HK)  
(\*\*) Term: **14 Years**

D260,346 S \* 8/1981 Lebowitz ..... D7/665  
5,865,109 A \* 2/1999 Bull ..... 99/495  
5,904,090 A \* 5/1999 Lillelund et al. .... 99/495  
6,622,618 B1 \* 9/2003 Glucksman et al. .... 99/495

\* cited by examiner

(21) Appl. No.: **29/252,974**  
(22) Filed: **Jan. 30, 2006**

*Primary Examiner*—Terry A. Wallace  
(74) *Attorney, Agent, or Firm*—Alix, Yale & Ristas, LLP

(30) **Foreign Application Priority Data**

Sep. 2, 2005 (HK) ..... 0502041.3M001-M003

(57) **CLAIM**

The ornamental design for a salad spinner, as shown and described.

(51) **LOC (8) Cl.** ..... **07-05**  
(52) **U.S. Cl.** ..... **D7/665**  
(58) **Field of Classification Search** ..... D7/665-669,  
D7/380, 376; 34/8, 58; 99/479, 485, 495,  
99/516, 511-513; 210/360.1, 784, 380.1,  
210/781

**DESCRIPTION**

FIG. 1 is a front and top perspective view of a salad spinner showing my new design;  
FIG. 2 is a rear and top perspective view thereof;  
FIG. 3 is a front elevational view thereof;  
FIG. 4 is a rear elevational view thereof;  
FIG. 5 is a left side elevational view thereof;  
FIG. 6 is a right elevational view thereof;  
FIG. 7 is a top plan view thereof; and,  
FIG. 8 is a bottom plan view thereof.

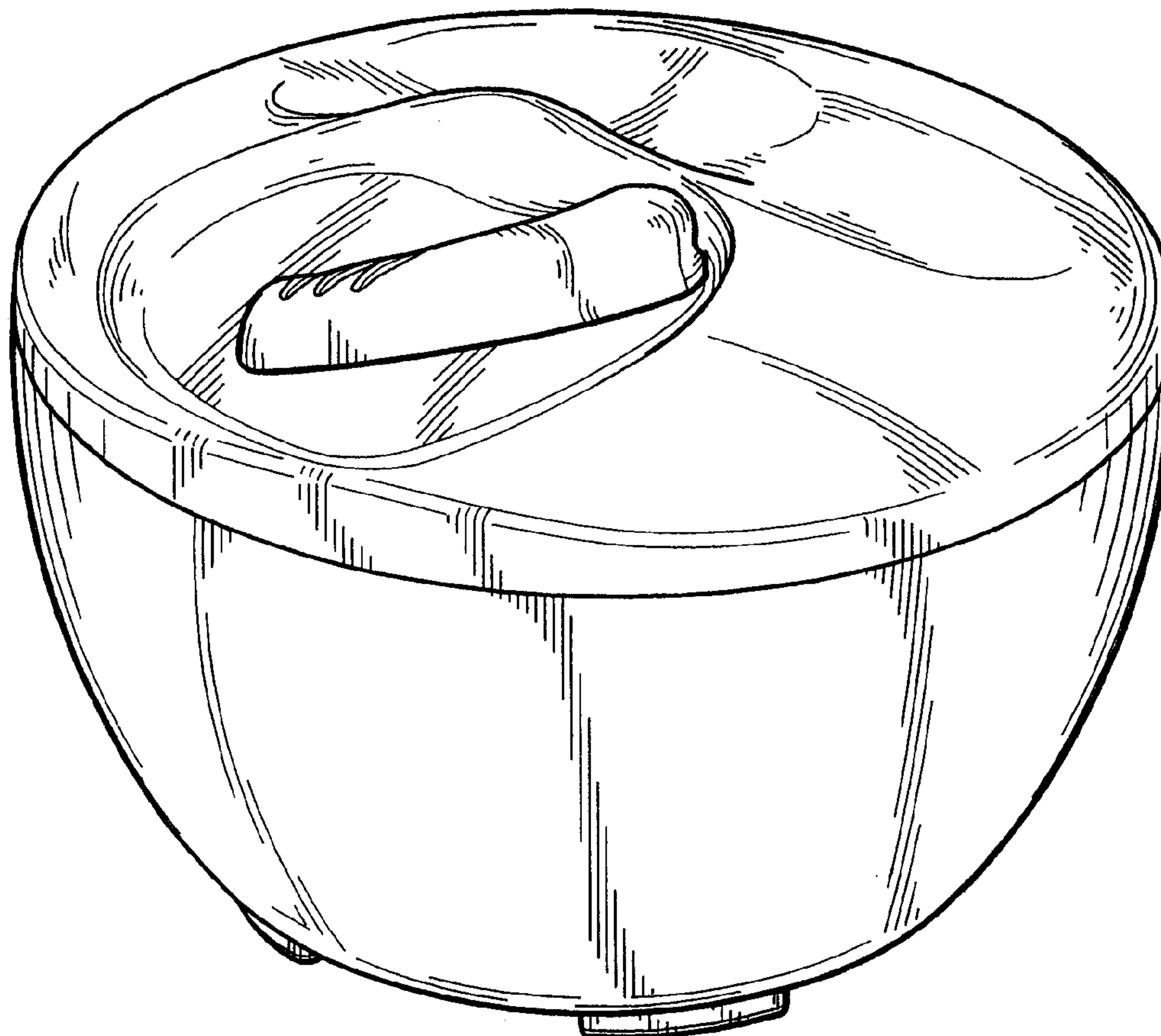
See application file for complete search history.

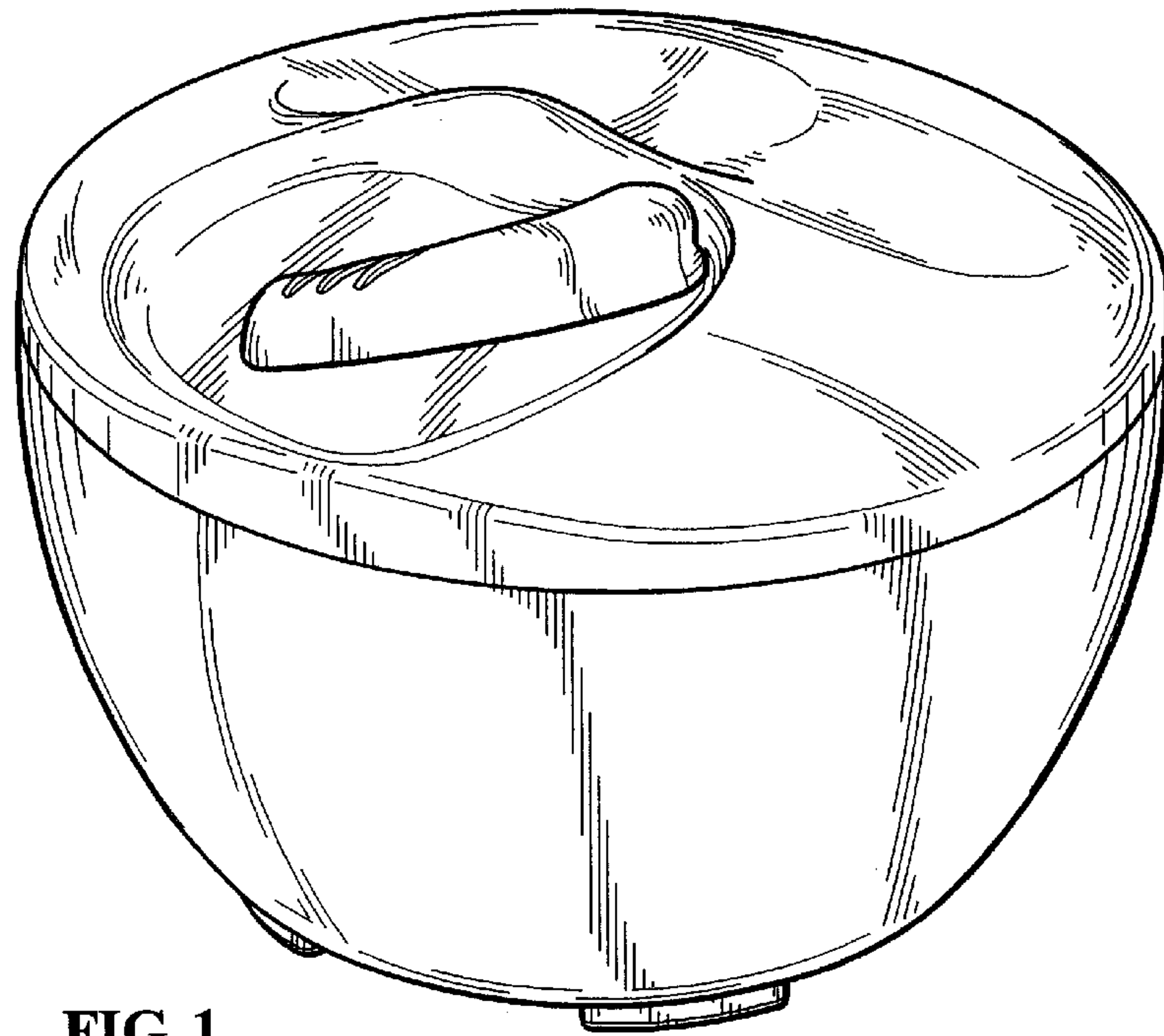
(56) **References Cited**

**U.S. PATENT DOCUMENTS**

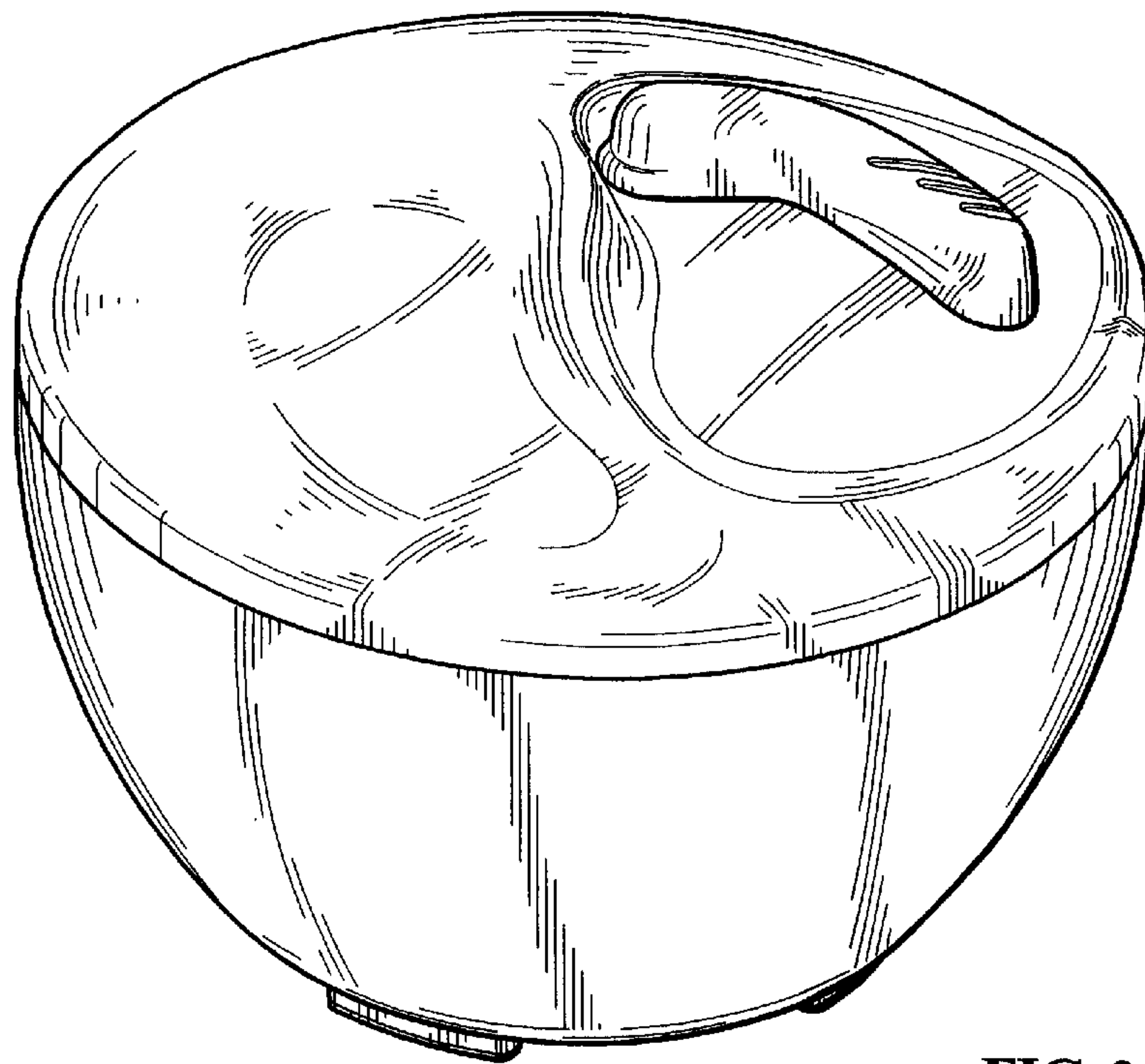
4,209,916 A \* 7/1980 Doyel ..... 34/58

**1 Claim, 4 Drawing Sheets**





**FIG. 1**



**FIG. 2**

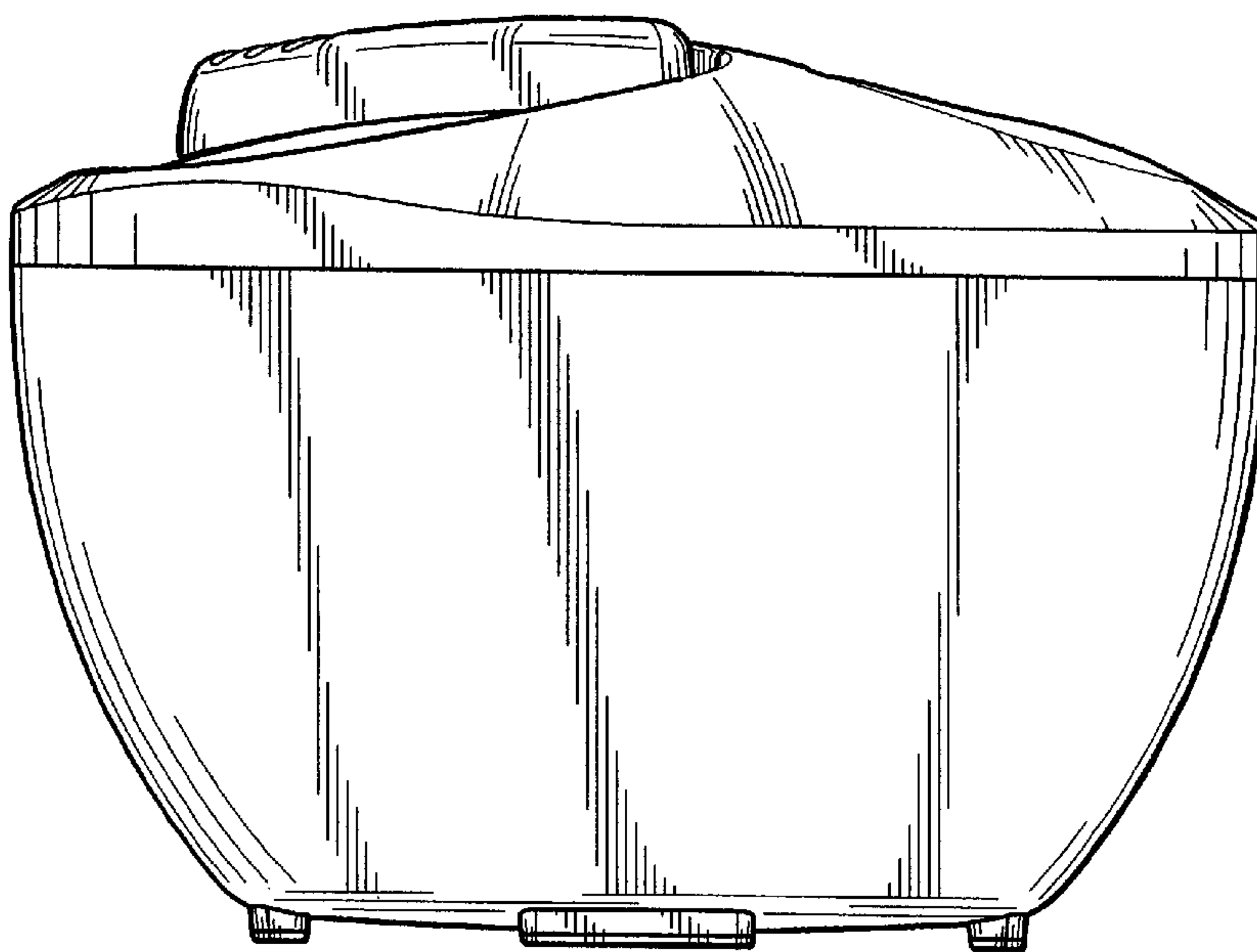


FIG. 3

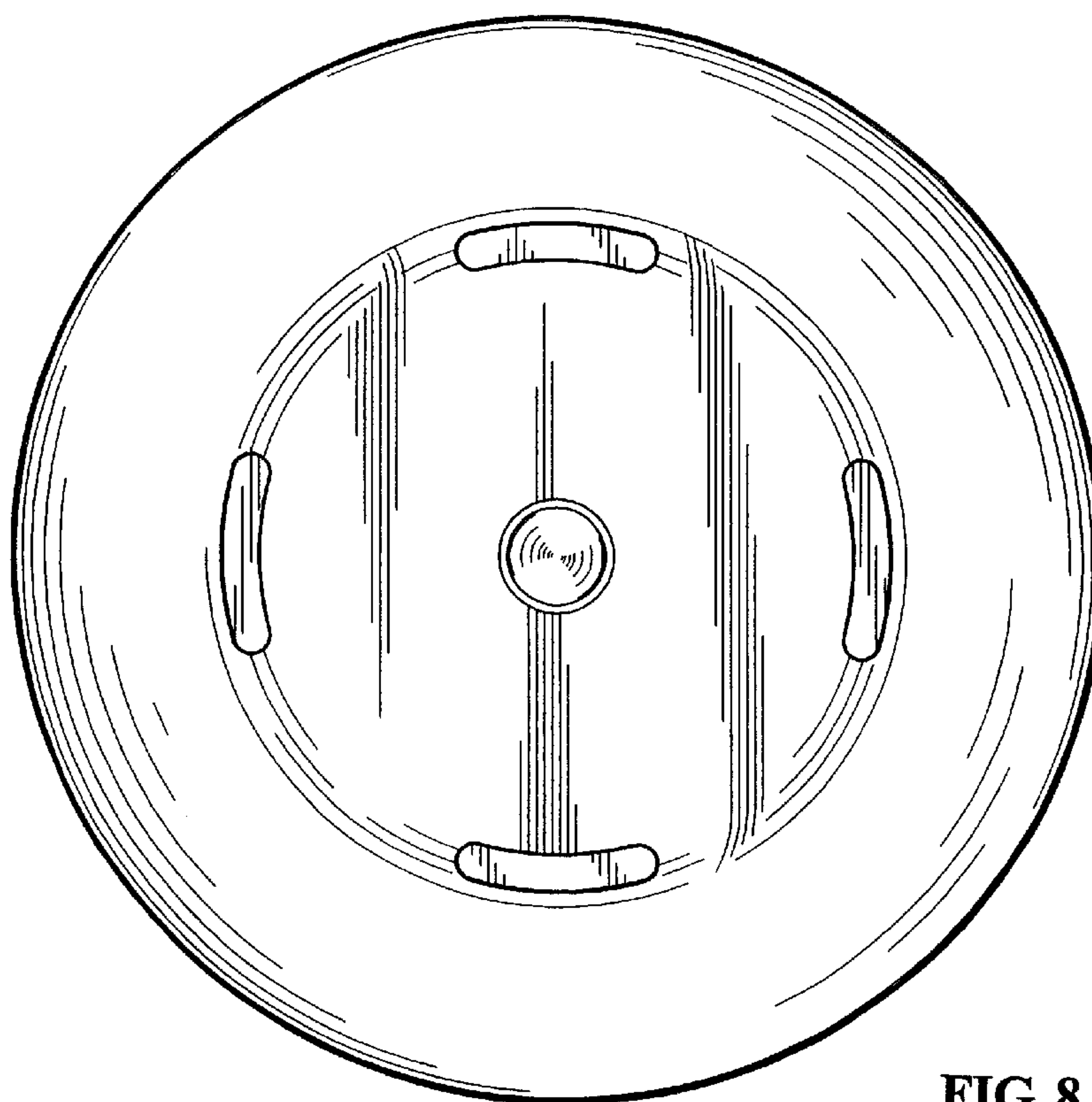


FIG. 8



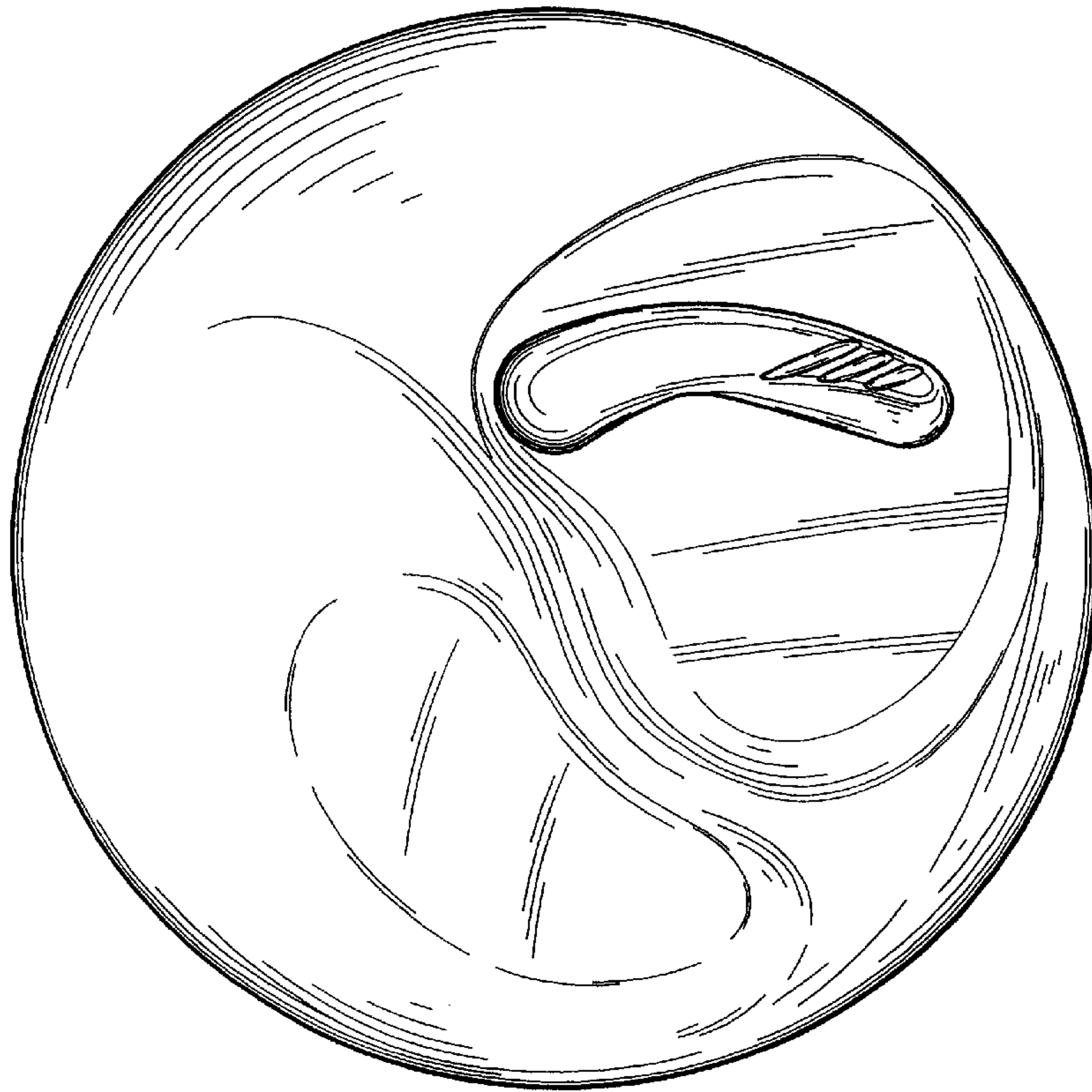


FIG. 7

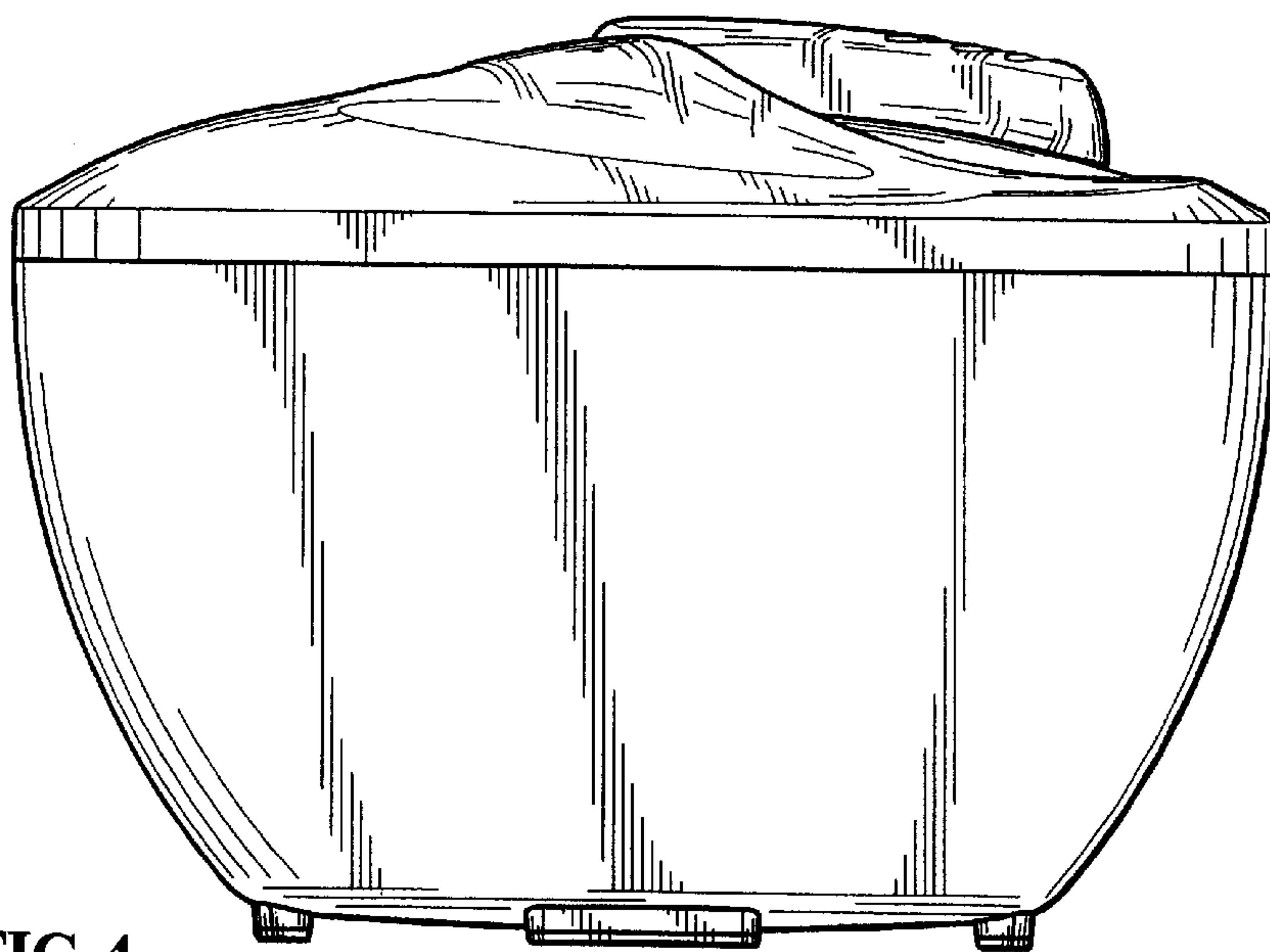


FIG. 4

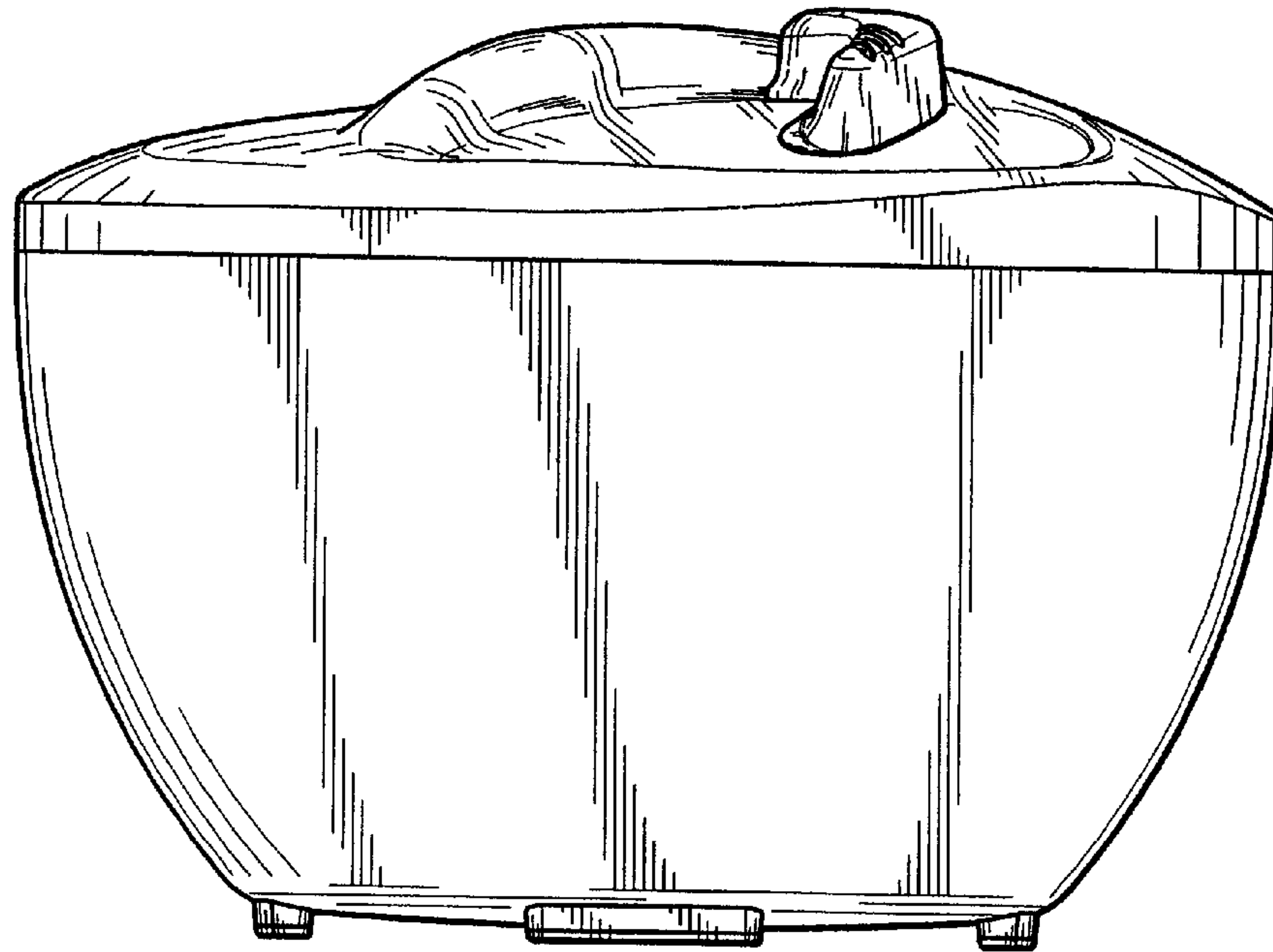


FIG. 5

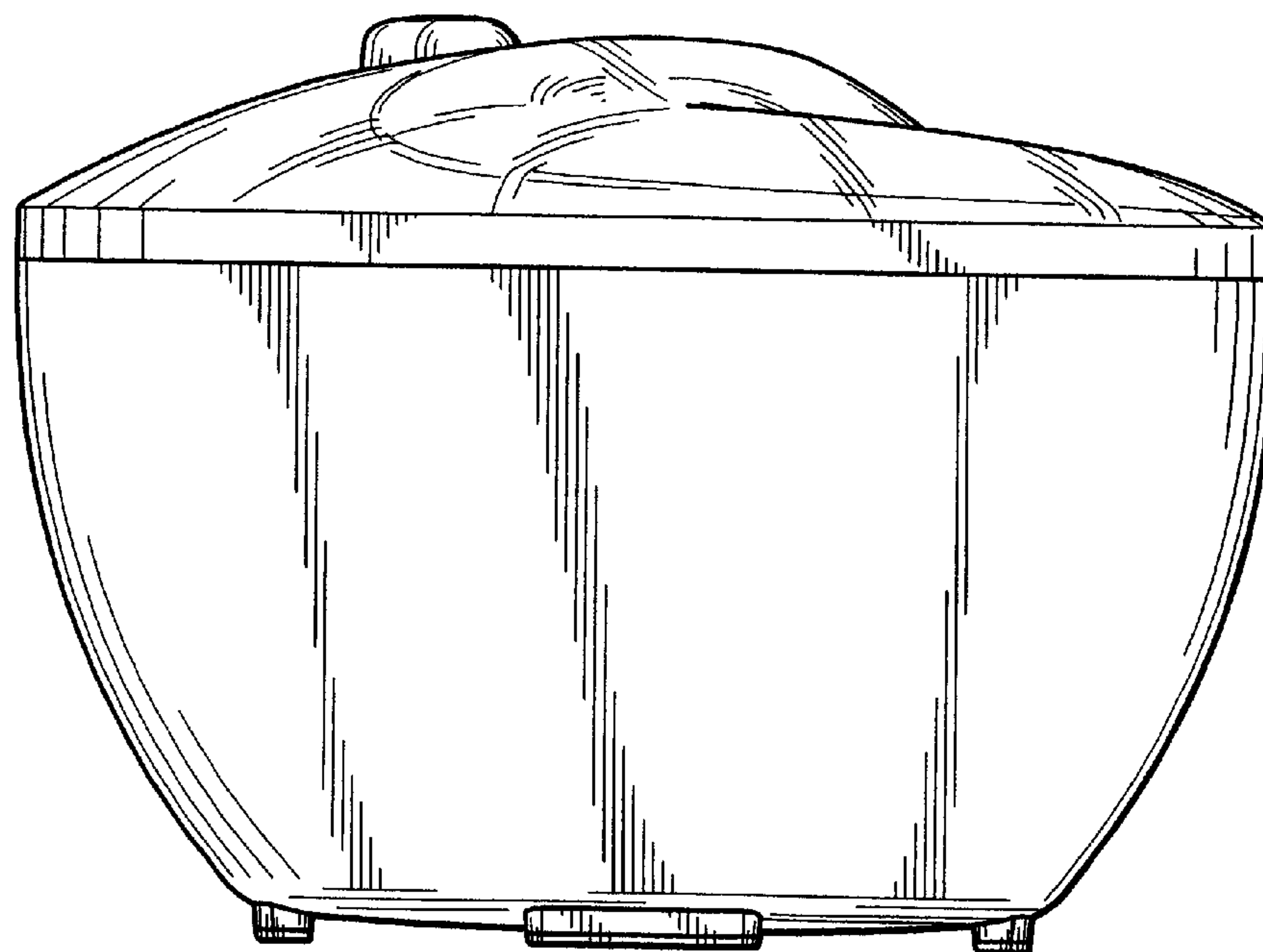


FIG. 6