



US00D538605S

(12) **United States Design Patent**
Wan

(10) **Patent No.:** **US D538,605 S**

(45) **Date of Patent:** **** Mar. 20, 2007**

(54) **SALAD SPINNER**

(75) Inventor: **Yiu Chung Wan**, Hong Kong (HK)

(73) Assignee: **Kwok Kuen So**, Hong Kong (HK)

(**) Term: **14 Years**

(21) Appl. No.: **29/252,970**

(22) Filed: **Jan. 30, 2006**

(30) **Foreign Application Priority Data**

Sep. 2, 2005 (HK) 0502041.3M001-M003

(51) **LOC (8) Cl.** **07-05**

(52) **U.S. Cl.** **D7/665**

(58) **Field of Classification Search** D7/665-669,
D7/380, 376; 34/8, 58; 99/479, 485, 495,
99/516, 511-513; 210/360.1, 784, 380.1,
210/781

See application file for complete search history.

(56) **References Cited**

U.S. PATENT DOCUMENTS

4,209,916 A * 7/1980 Doyel 34/58

D260,346 S * 8/1981 Lebowitz D7/665
5,865,109 A * 2/1999 Bull 99/495
5,904,090 A * 5/1999 Lillelund et al. 99/495
6,622,618 B1 * 9/2003 Glucksman et al. 99/495

* cited by examiner

Primary Examiner—Terry A. Wallace

(74) *Attorney, Agent, or Firm*—Alix, Yale & Ristas, LLP

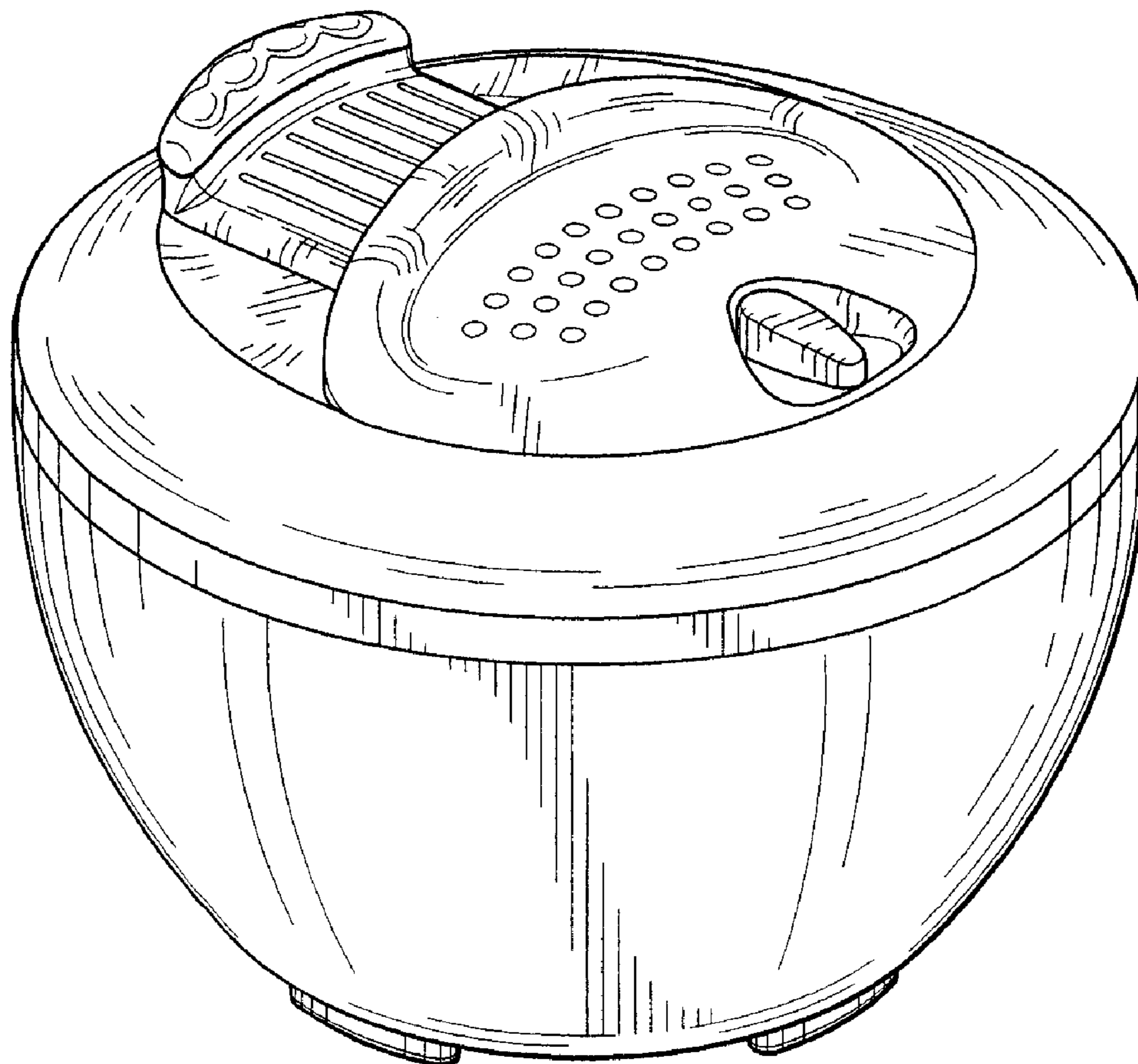
(57) **CLAIM**

The ornamental design for a salad spinner, as shown and described.

DESCRIPTION

FIG. 1 is a front, right side and top perspective view of a salad spinner showing my new design; FIG. 2 is a rear, left side and top perspective view thereof; FIG. 3 is a front elevational view thereof; FIG. 4 is a rear elevational view thereof; FIG. 5 is a left side elevational view thereof; FIG. 6 is a right side elevational view thereof; FIG. 7 is a top plan view thereof; and, FIG. 8 is a bottom plan view thereof.

1 Claim, 4 Drawing Sheets



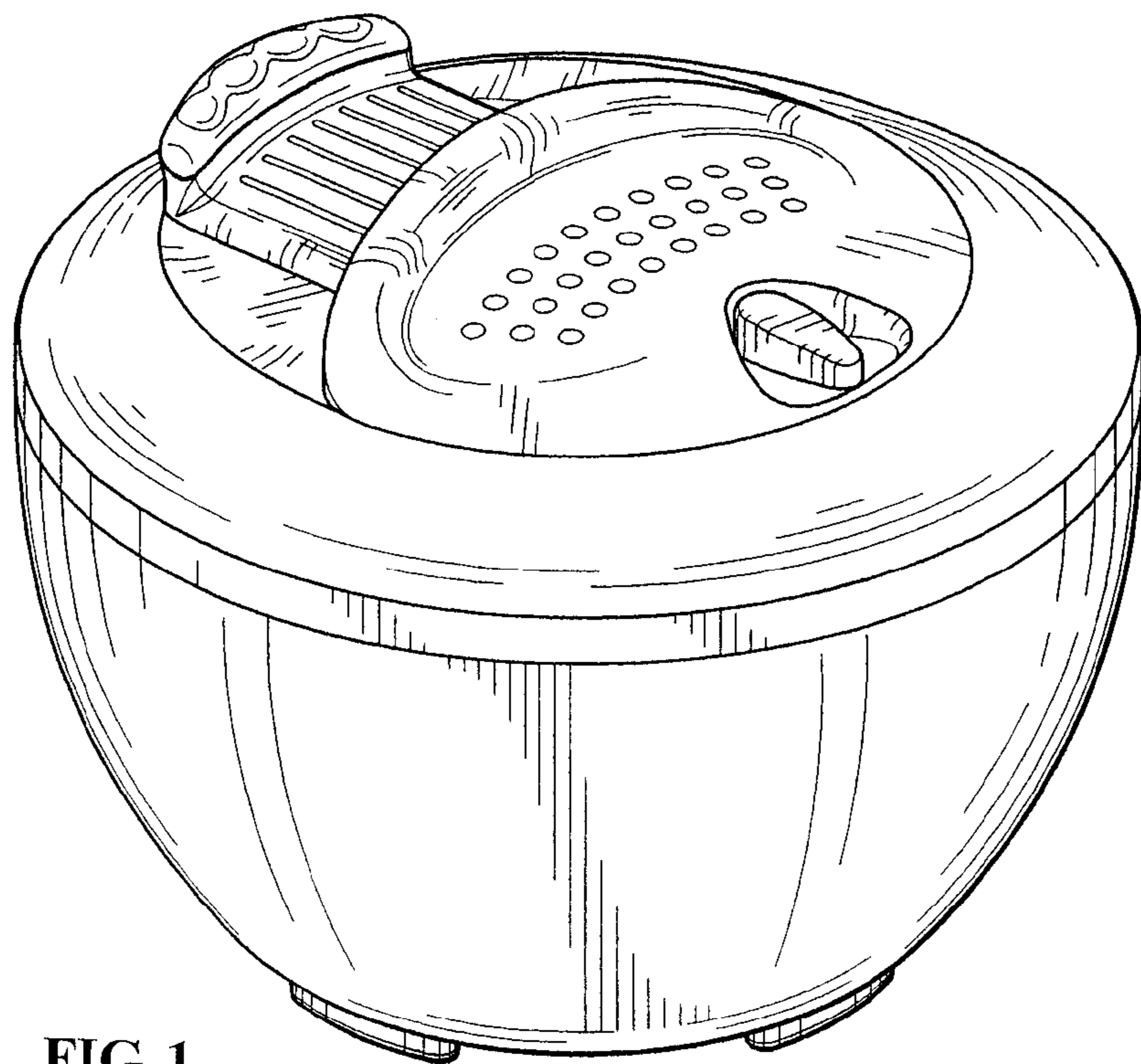


FIG. 1

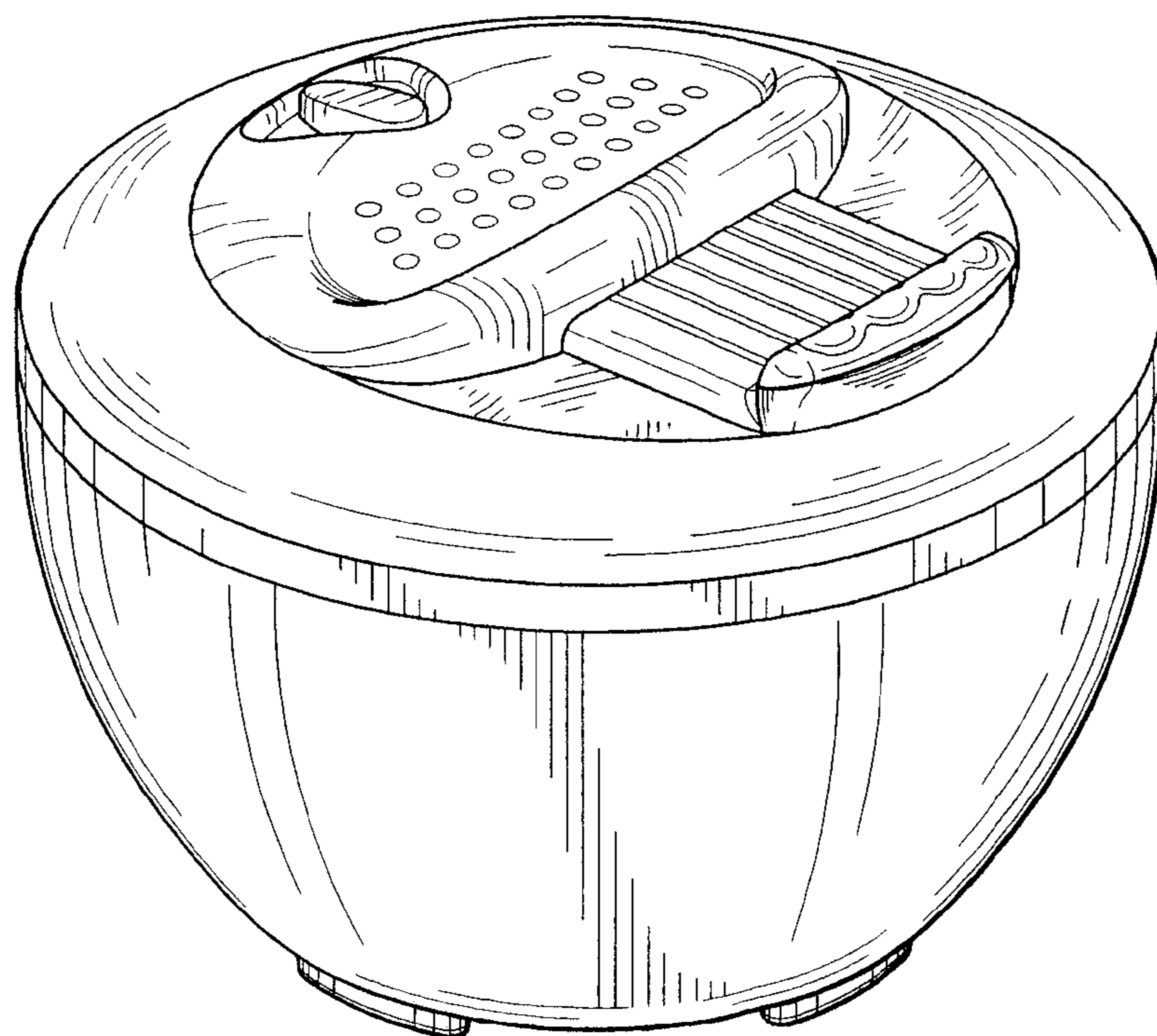


FIG. 2

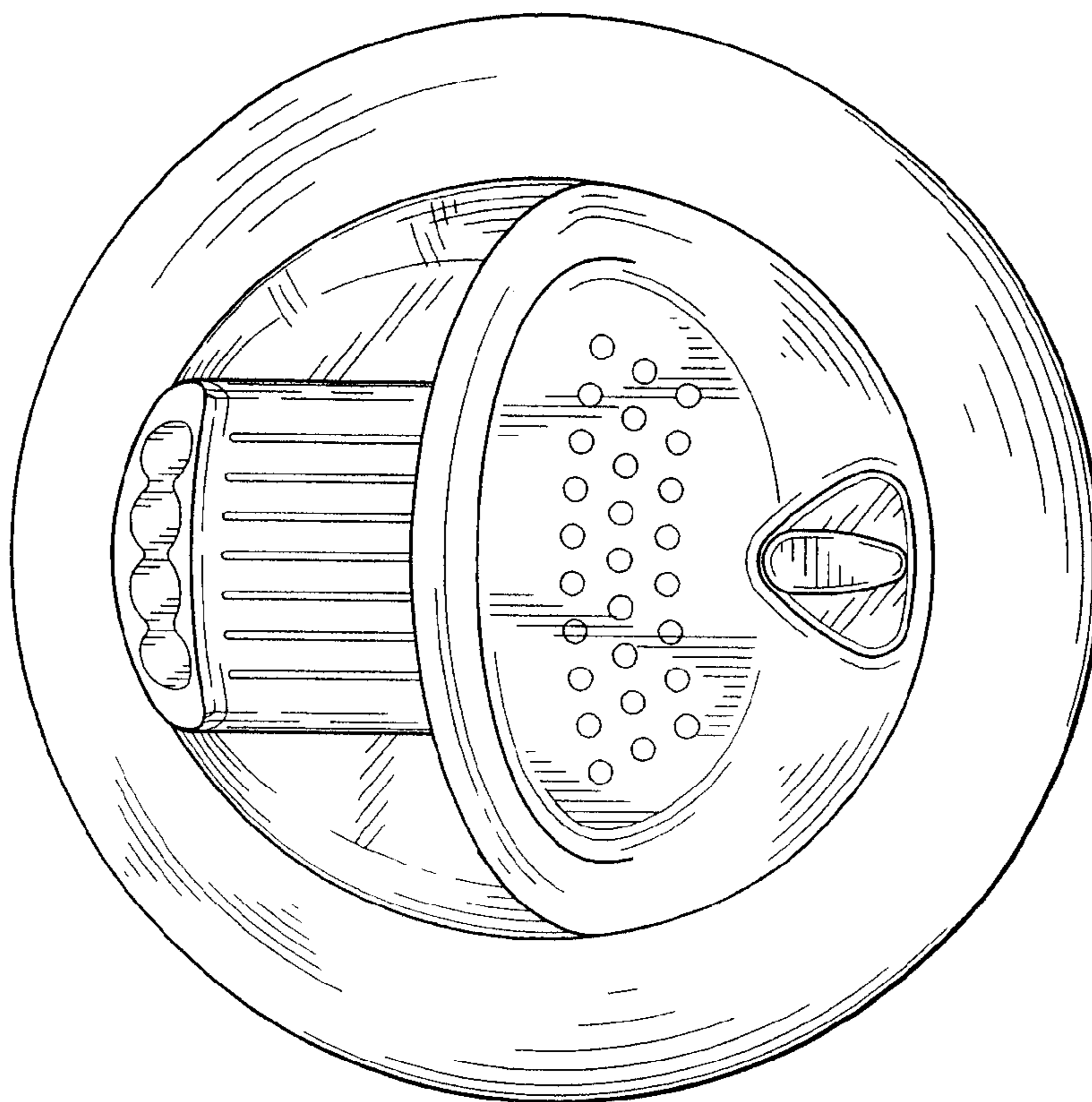


FIG. 7

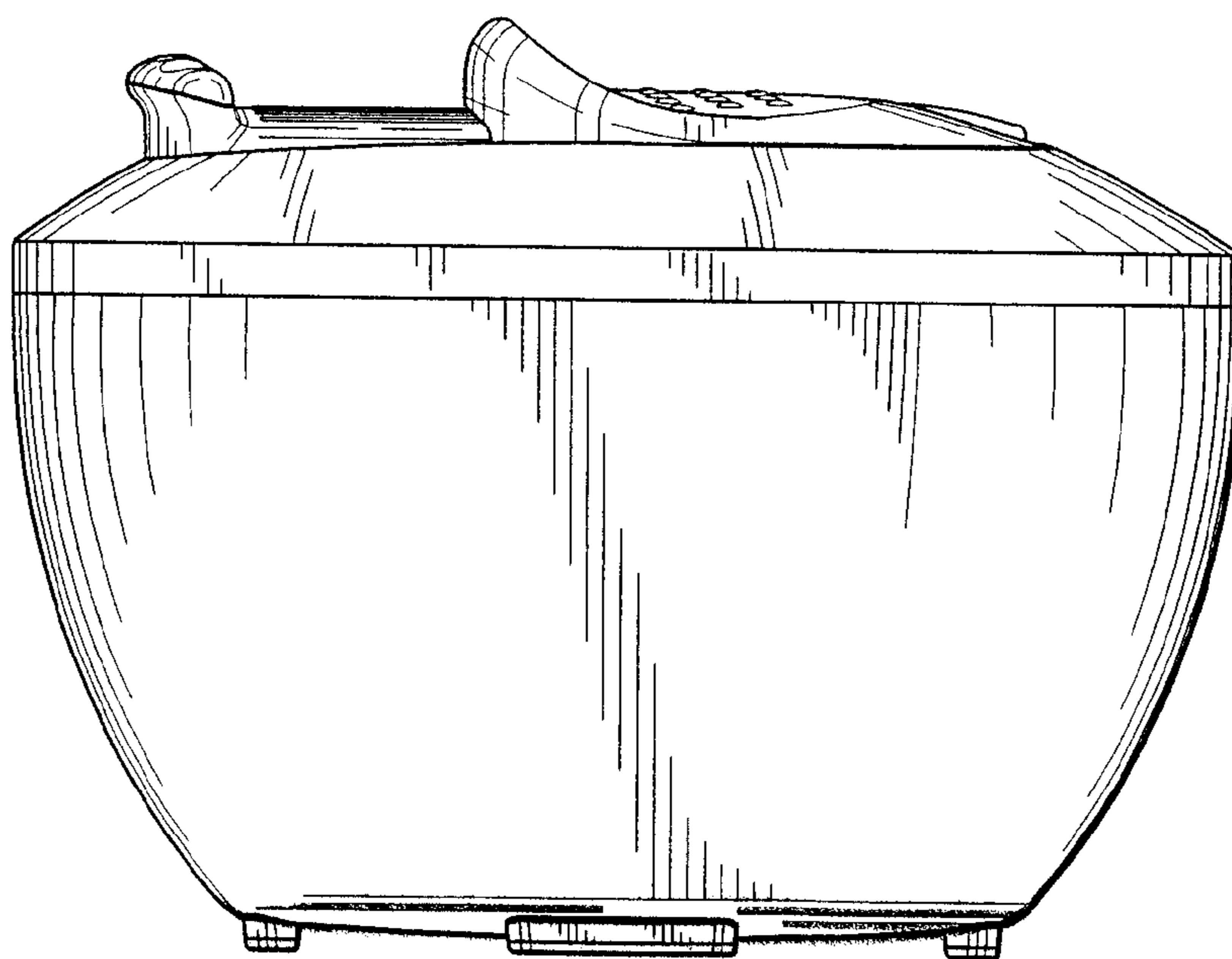


FIG. 3

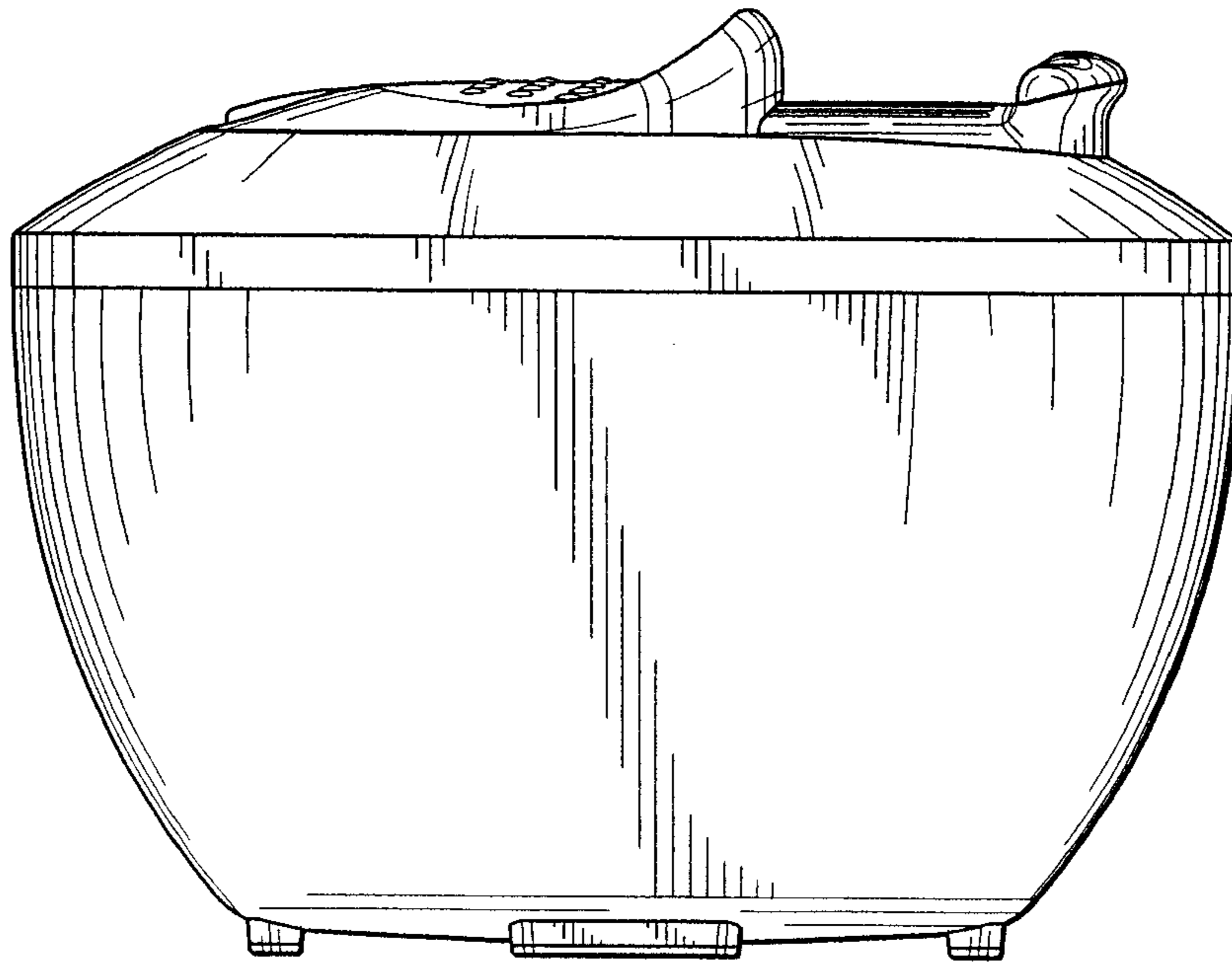


FIG. 4

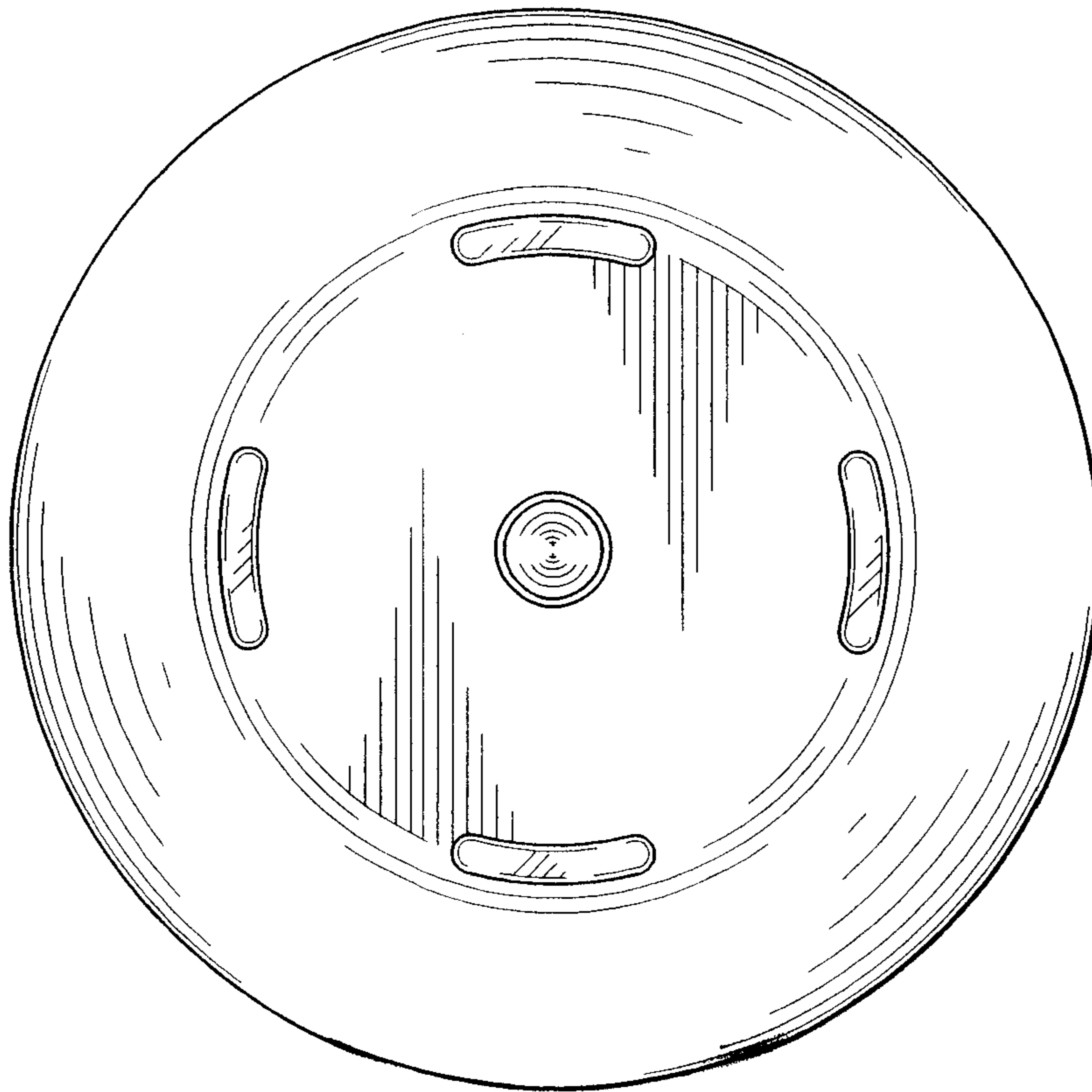


FIG. 8

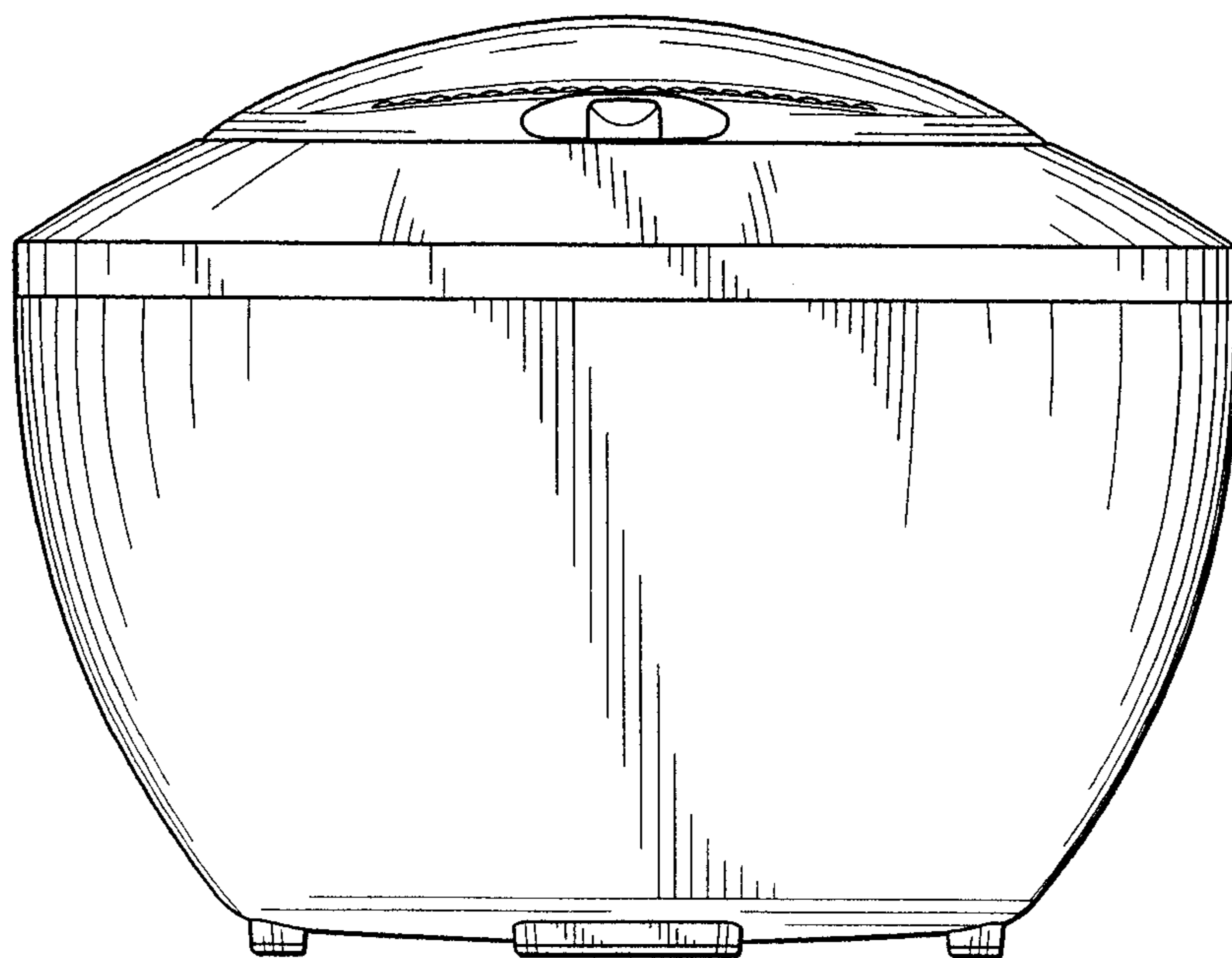


FIG. 6

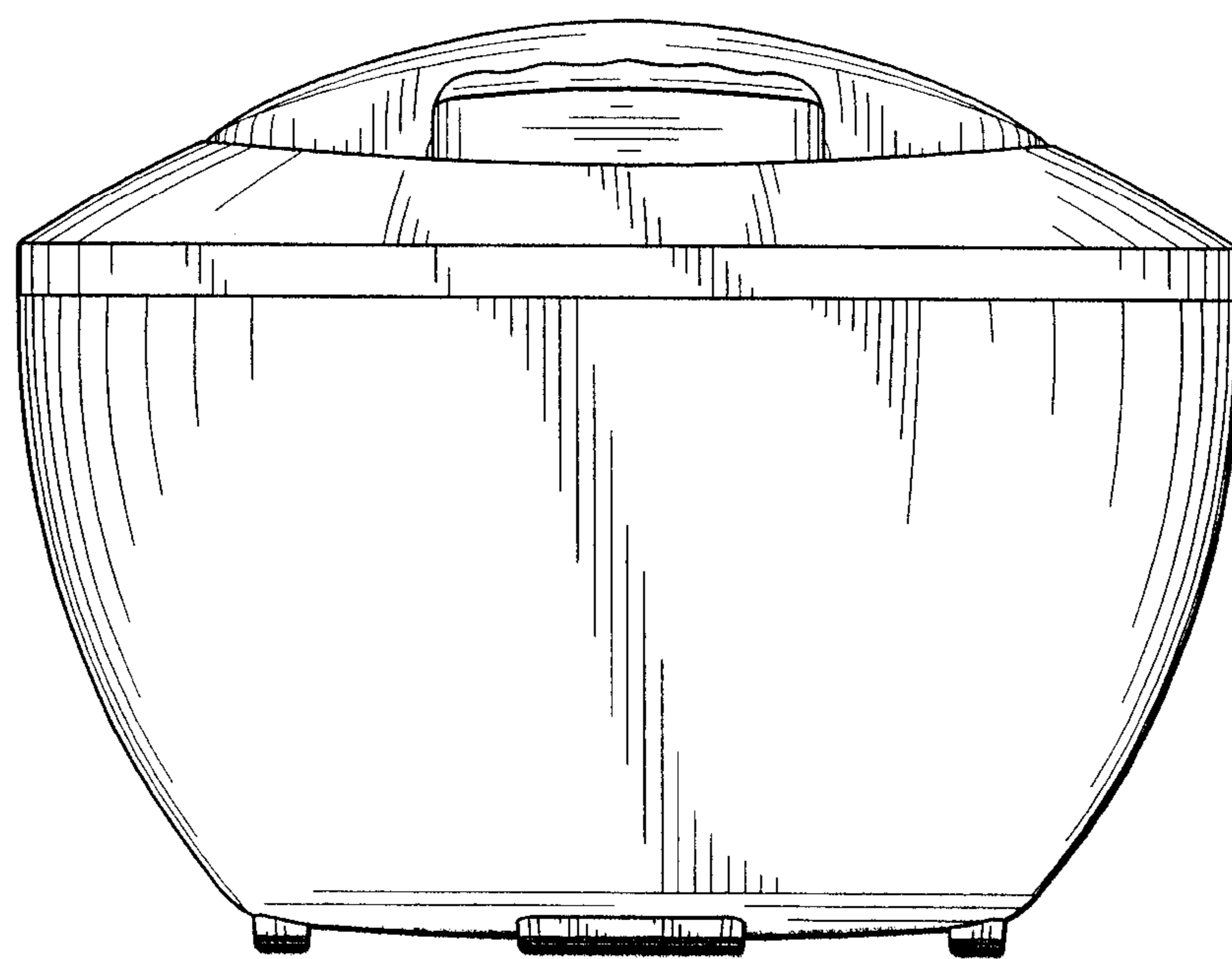


FIG. 5