



US00D538595S

(12) **United States Design Patent**
White et al.

(10) **Patent No.: US D538,595 S**
(45) **Date of Patent: ** Mar. 20, 2007**

(54) **BLENDER WITH SQUARE JUG**
(75) Inventors: **Gerard Andrew White**, Alexandria (AU); **David Davenport**, Leichhardt (AU)
(73) Assignee: **Breville Pty Limited**, Botany (AU)
(**) Term: **14 Years**

2,794,627 A * 6/1957 Rodwick 241/282.2
2,897,862 A * 8/1959 Malz et al. 241/199.12
D228,698 S * 10/1973 Bernard D7/378
D336,590 S * 6/1993 Barnard D7/378
D347,966 S * 6/1994 Doggett D7/378
D386,357 S * 11/1997 Davidson D7/413
6,092,922 A * 7/2000 Kett et al. 366/205
D435,192 S * 12/2000 Bohannon et al. D7/413
D444,344 S * 7/2001 Barthelemy et al. D7/378
D484,357 S * 12/2003 Seum et al. D7/378
D526,531 S * 8/2006 Drees et al. D7/378

(21) Appl. No.: **29/258,017**
(22) Filed: **Apr. 14, 2006**

* cited by examiner

(30) **Foreign Application Priority Data**

Oct. 18, 2005 (AU) 14554/2005

Primary Examiner—Cathron C. Brooks

Assistant Examiner—Ricky Pham

(74) *Attorney, Agent, or Firm*—Molins & Co.

(51) **LOC (8) Cl.** **07-02**
(52) **U.S. Cl.** **D7/413**
(58) **Field of Classification Search** D7/376–386,
D7/412–414, 665; 99/509–511; 241/30–37.5,
241/101.01–101.02, 166–169.1, 274–278.2,
241/285.1–285.3, 291, 292.1; 366/64–67,
366/98, 197–221, 241–254, 279–292, 341–343,
366/325.94

(57) **CLAIM**

The ornamental design for a blender with square jug, as shown .

See application file for complete search history.

DESCRIPTION

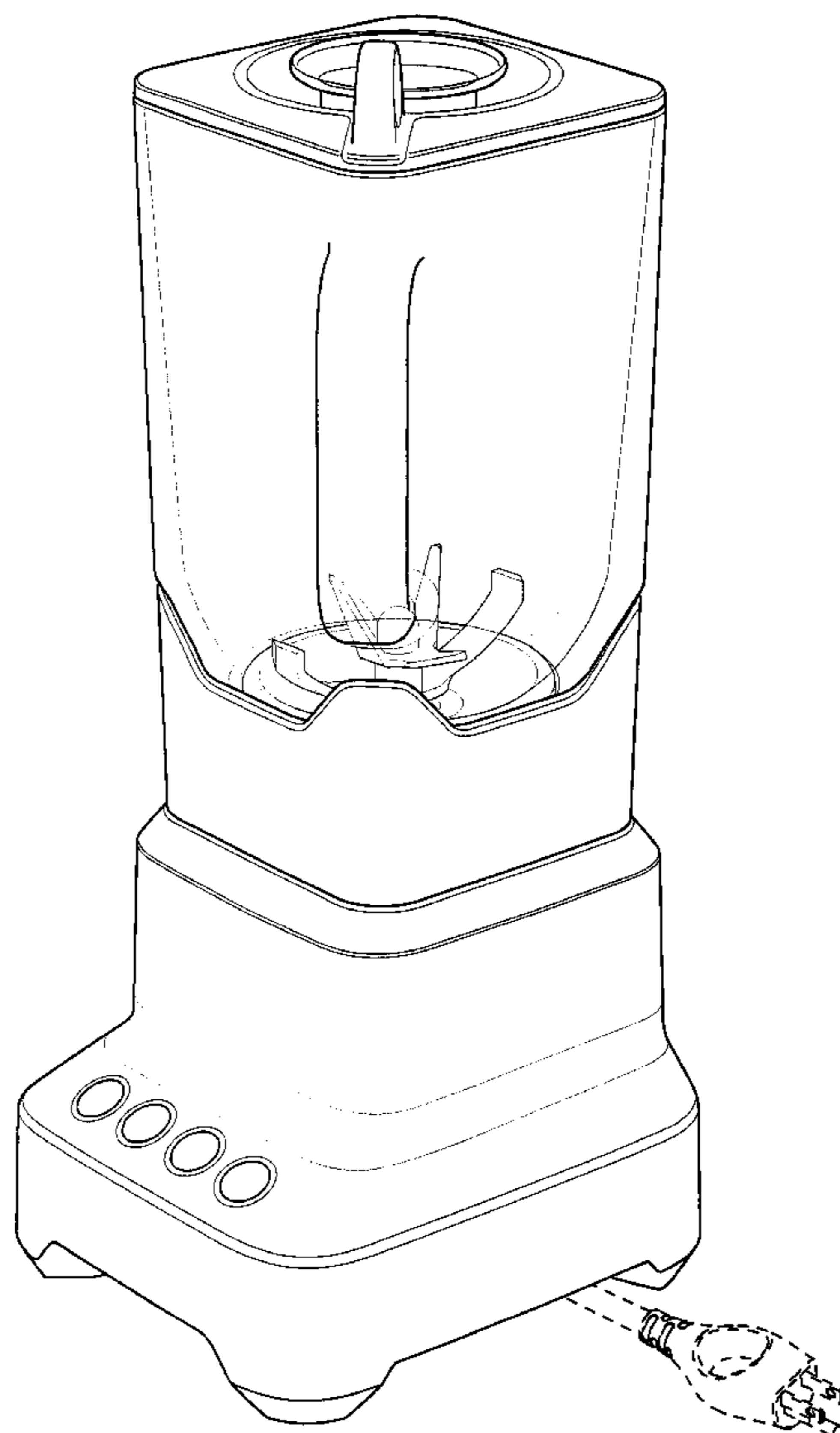
FIG. 1 is a front left isometric view of a blender with square jug showing my new design;
FIG. 2 is a back view thereof;
FIG. 3 is a front right isometric view thereof;
FIG. 4 is a front view thereof;
FIG. 5 is a left side view thereof;
FIG. 6 is a right side view thereof; and,
FIG. 7 is a top view thereof.

(56) **References Cited**

U.S. PATENT DOCUMENTS

D115,517 S * 7/1939 Hook D7/378
D178,593 S * 8/1956 Cerveny et al. D7/413

1 Claim, 7 Drawing Sheets



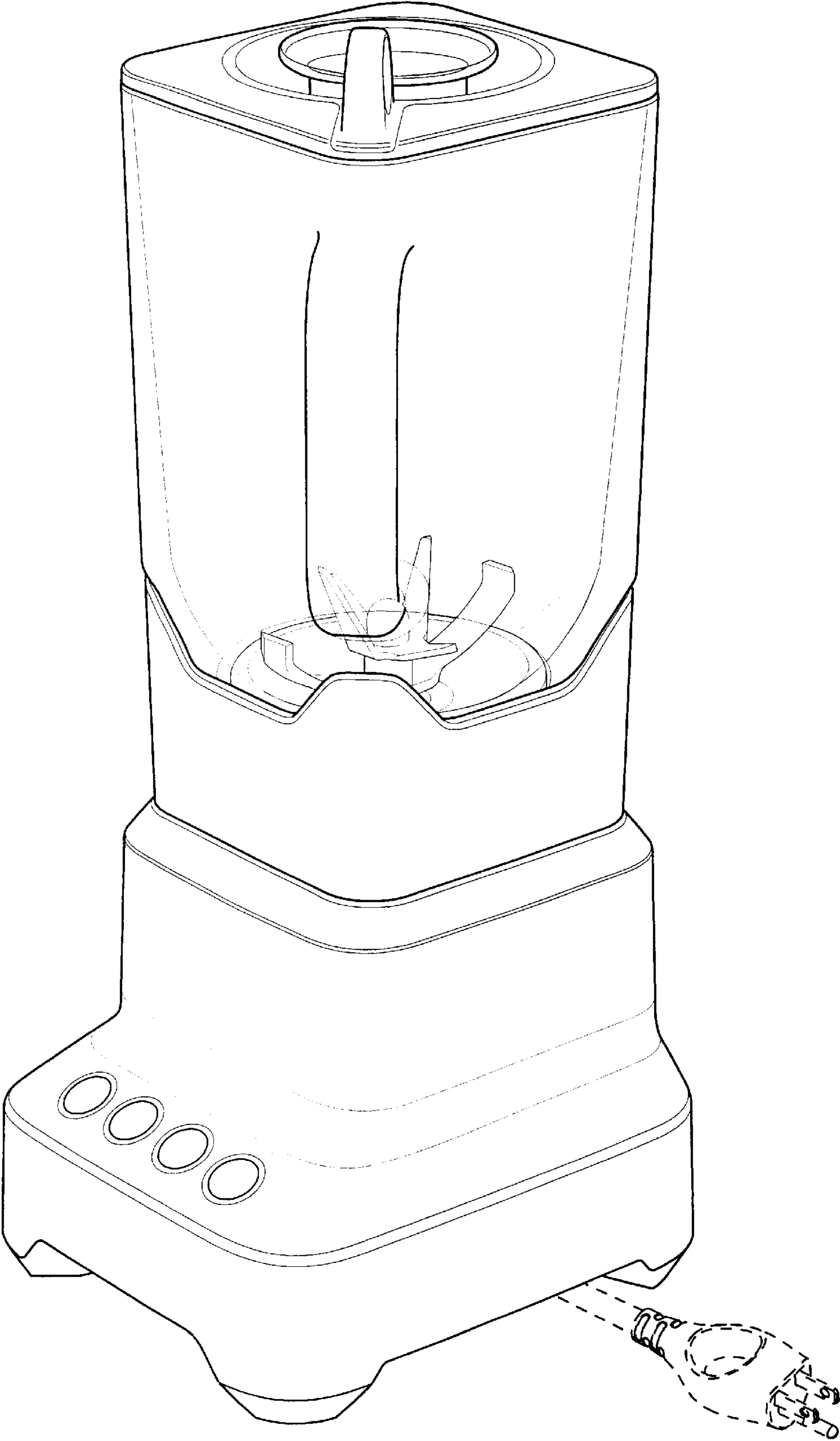


FIGURE 1

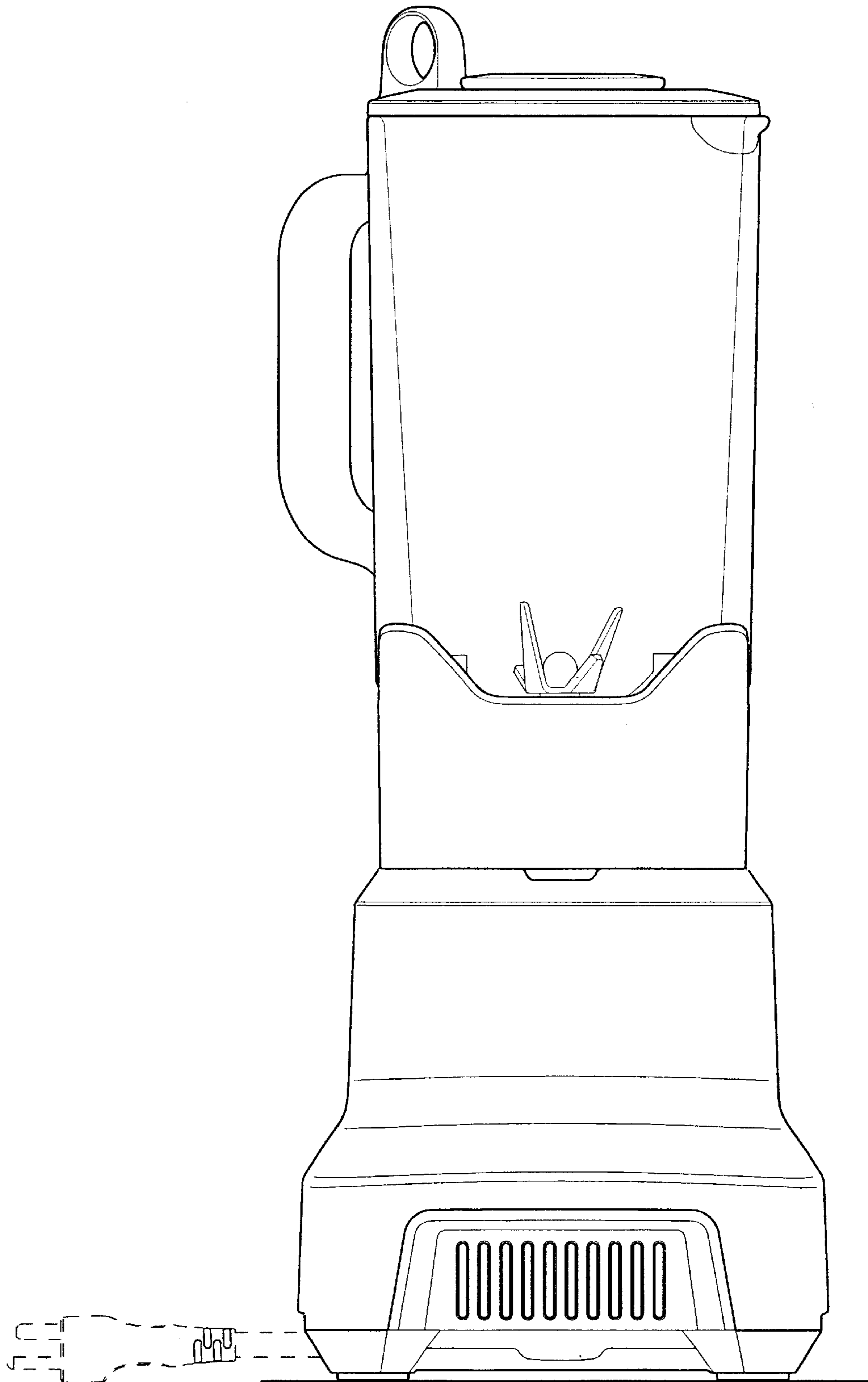


FIGURE 2

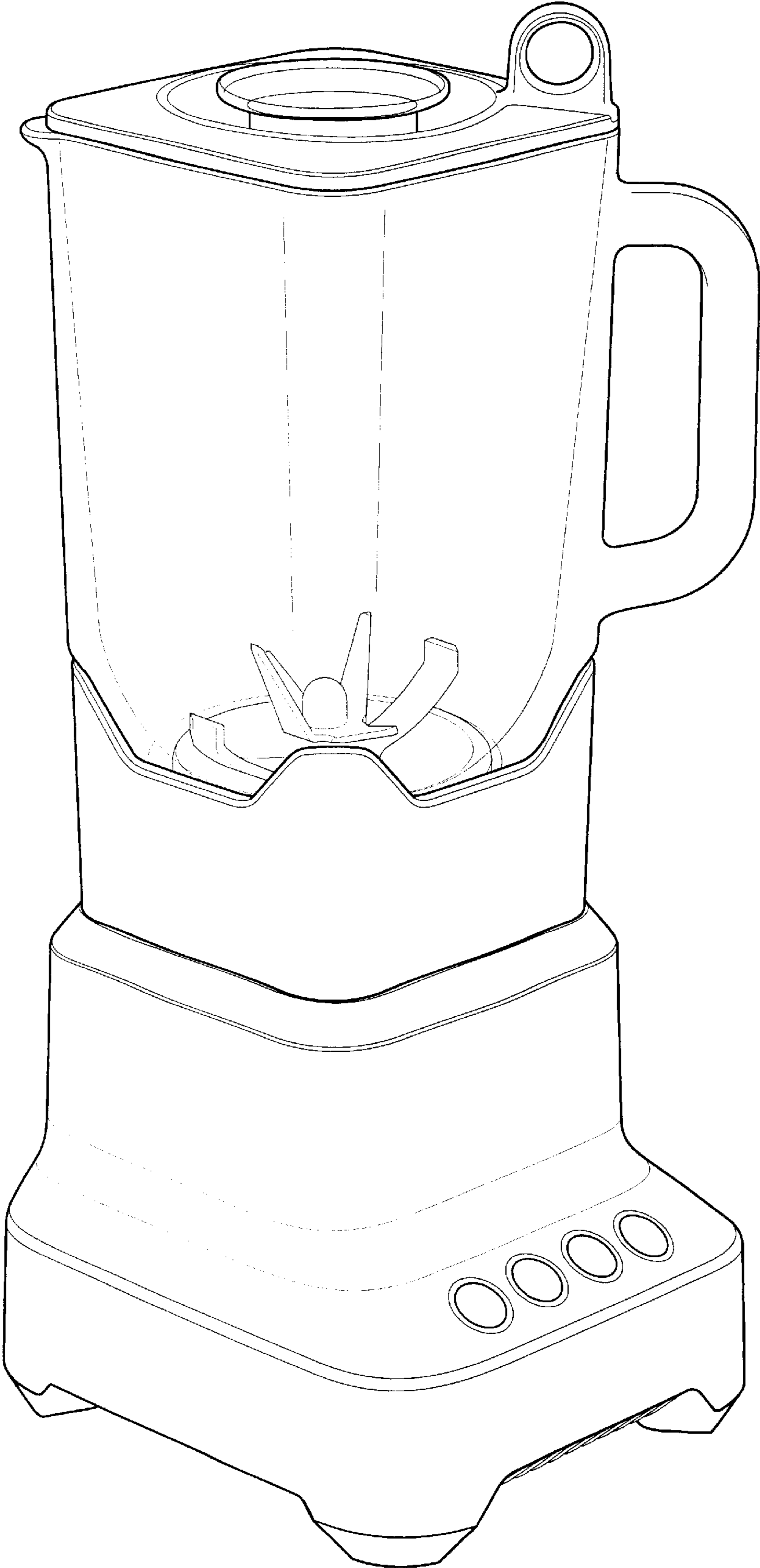


FIGURE 3

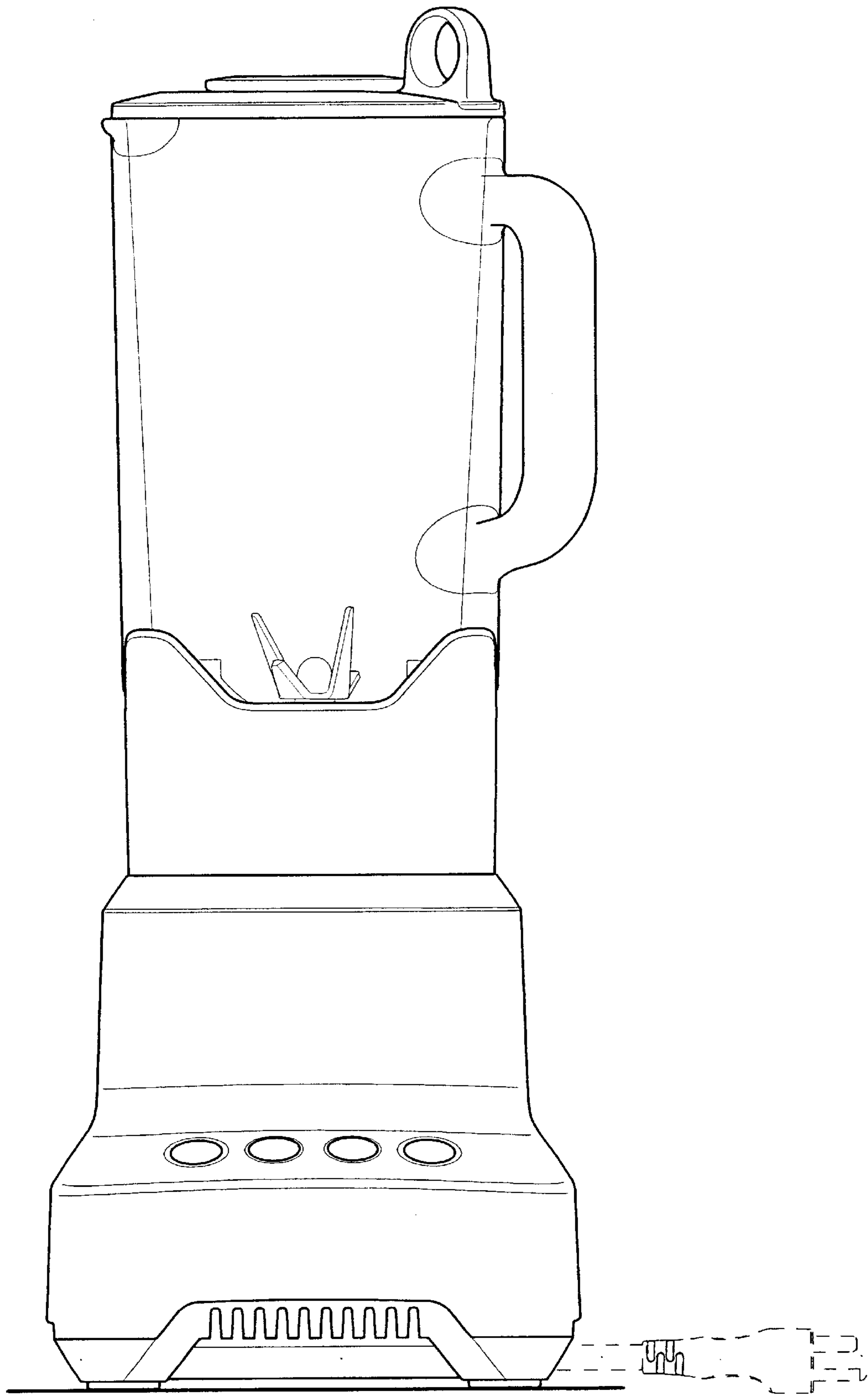


FIGURE 4

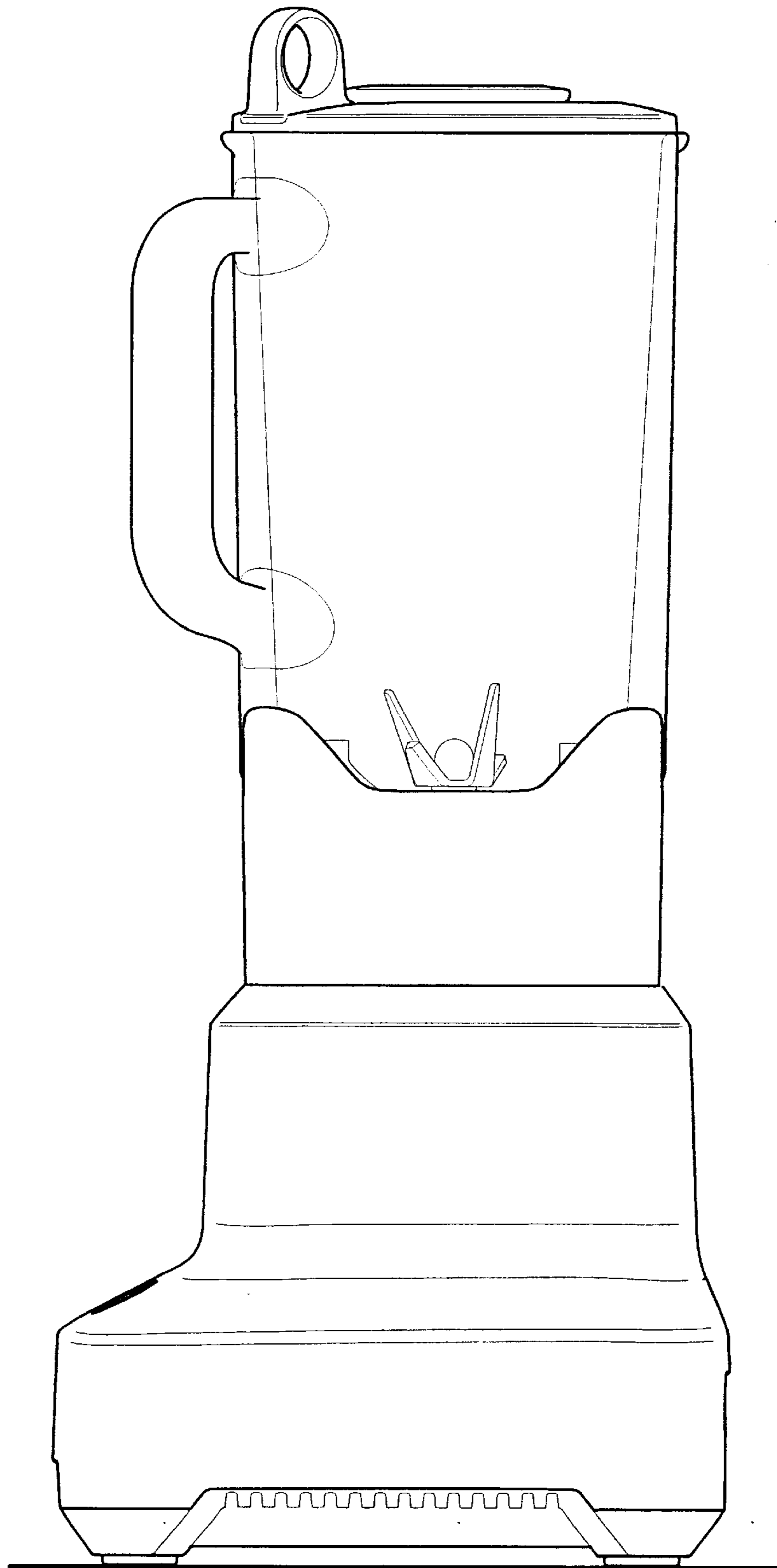


FIGURE 5

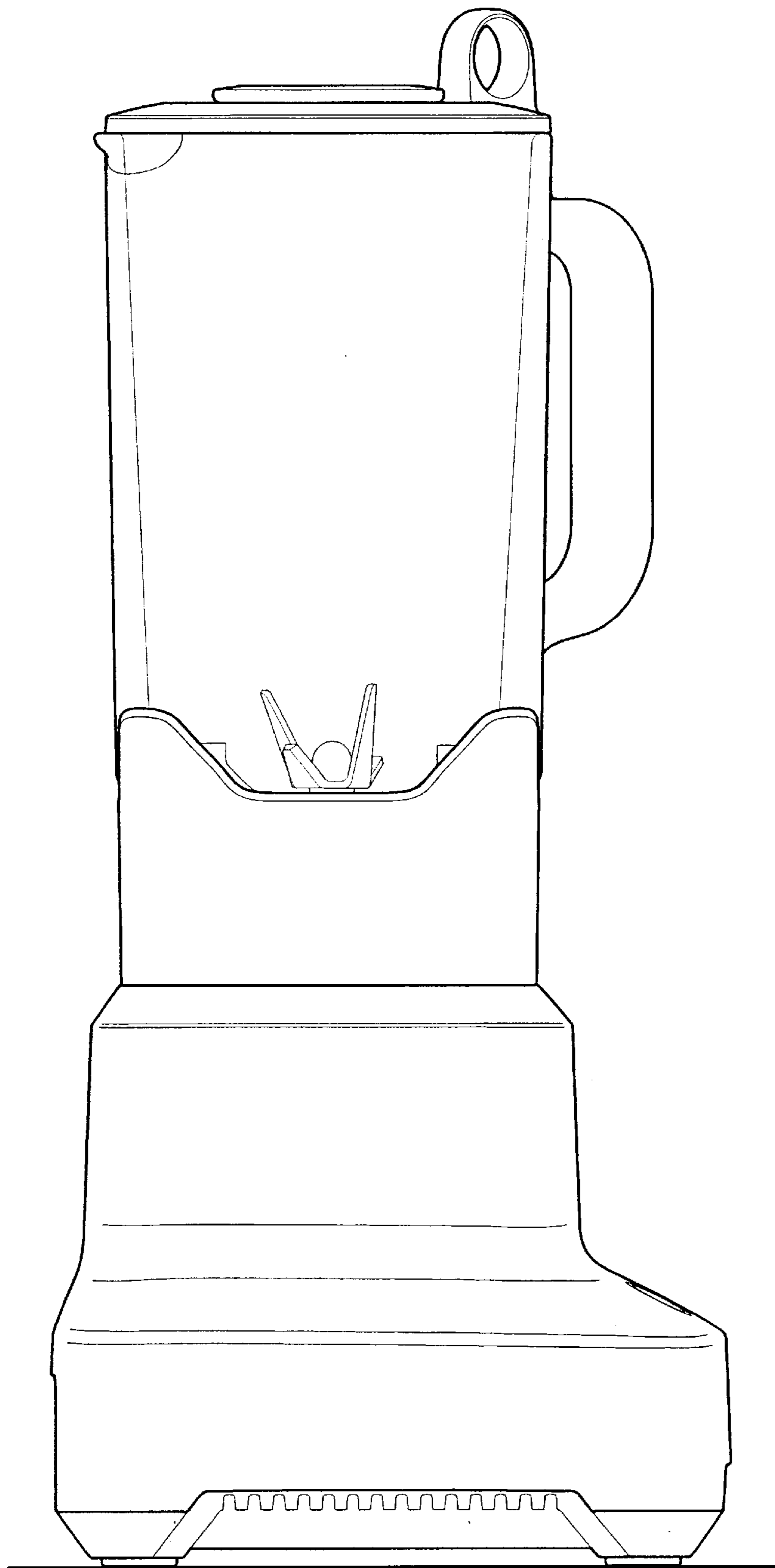


FIGURE 6

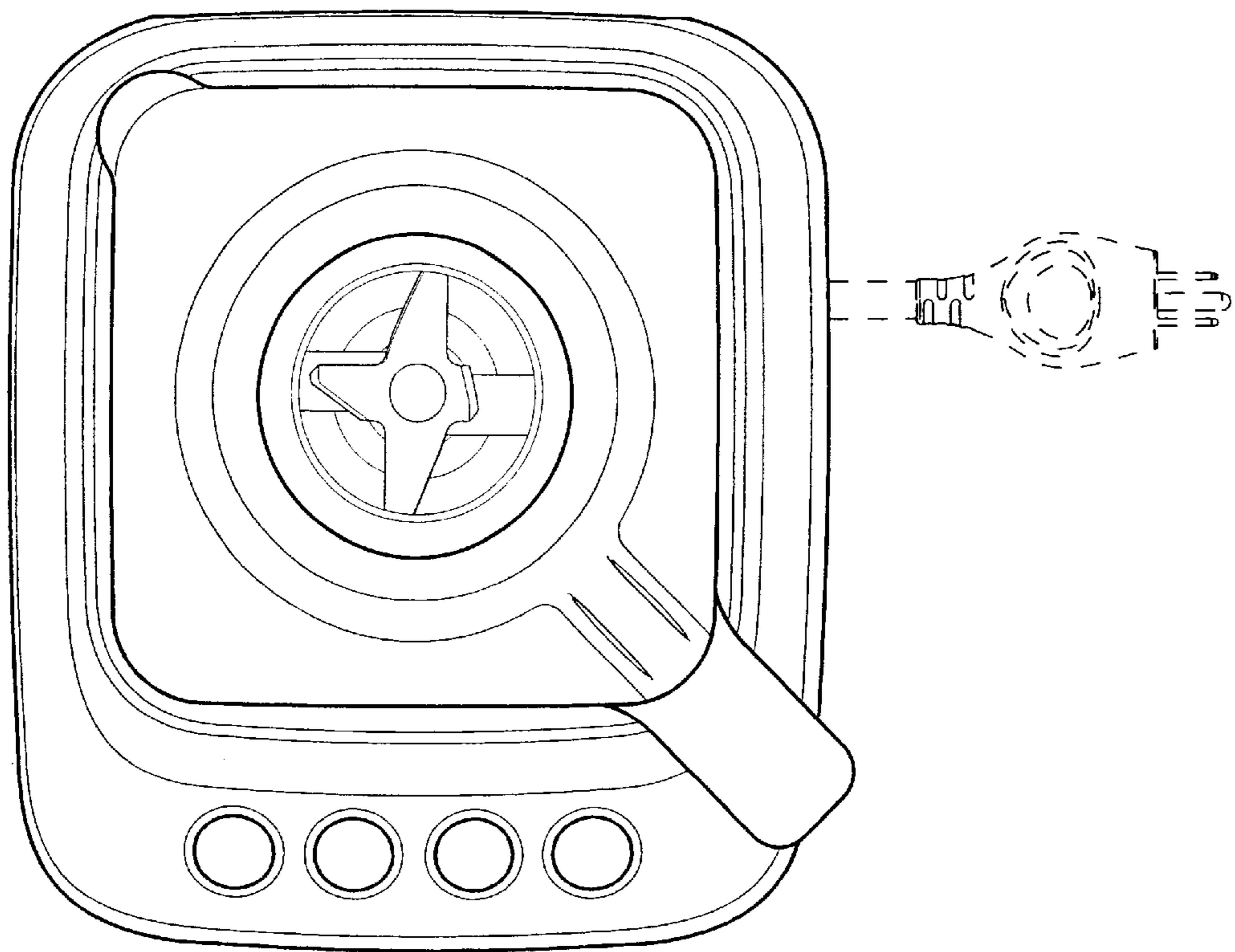


FIGURE 7