



US00D538594S

(12) **United States Design Patent**  
**Cohen et al.**

(10) **Patent No.:** **US D538,594 S**

(45) **Date of Patent:** **\*\* Mar. 20, 2007**

(54) **JUICER ACCESSORY**

(75) Inventors: **Eli Cohen**, Lev HaSharon (IL); **Ann Grant**, New York, NY (US)

(73) Assignee: **AAC Trade Ltd.**, New York, NY (US)

(\*\*) Term: **14 Years**

(21) Appl. No.: **29/239,567**

(22) Filed: **Oct. 3, 2005**

(51) **LOC (8) Cl.** ..... **31-00**

(52) **U.S. Cl.** ..... **D7/412**

(58) **Field of Classification Search** ..... D7/665,  
D7/666, 372-374; 99/492, 495, 497, 499,  
99/348, 357, 501-513; 241/33, 36, 37.5,  
241/100, 282.2, 95, 282.1

See application file for complete search history.

(56) **References Cited**

**U.S. PATENT DOCUMENTS**

4,199,268 A \* 4/1980 Parzych ..... 366/306

D309,083 S \* 7/1990 Kahlcke ..... D7/665  
D424,370 S \* 5/2000 Drees ..... D7/412  
D475,582 S \* 6/2003 To ..... D7/665

\* cited by examiner

*Primary Examiner*—Terry A. Wallace

(57) **CLAIM**

The ornamental design of a juicer accessory, as shown.

**DESCRIPTION**

FIG. 1 is a top plan view of a juicer accessory showing our new design;

FIG. 2 is a bottom plan view thereof;

FIG. 3 is a rear elevational view thereof;

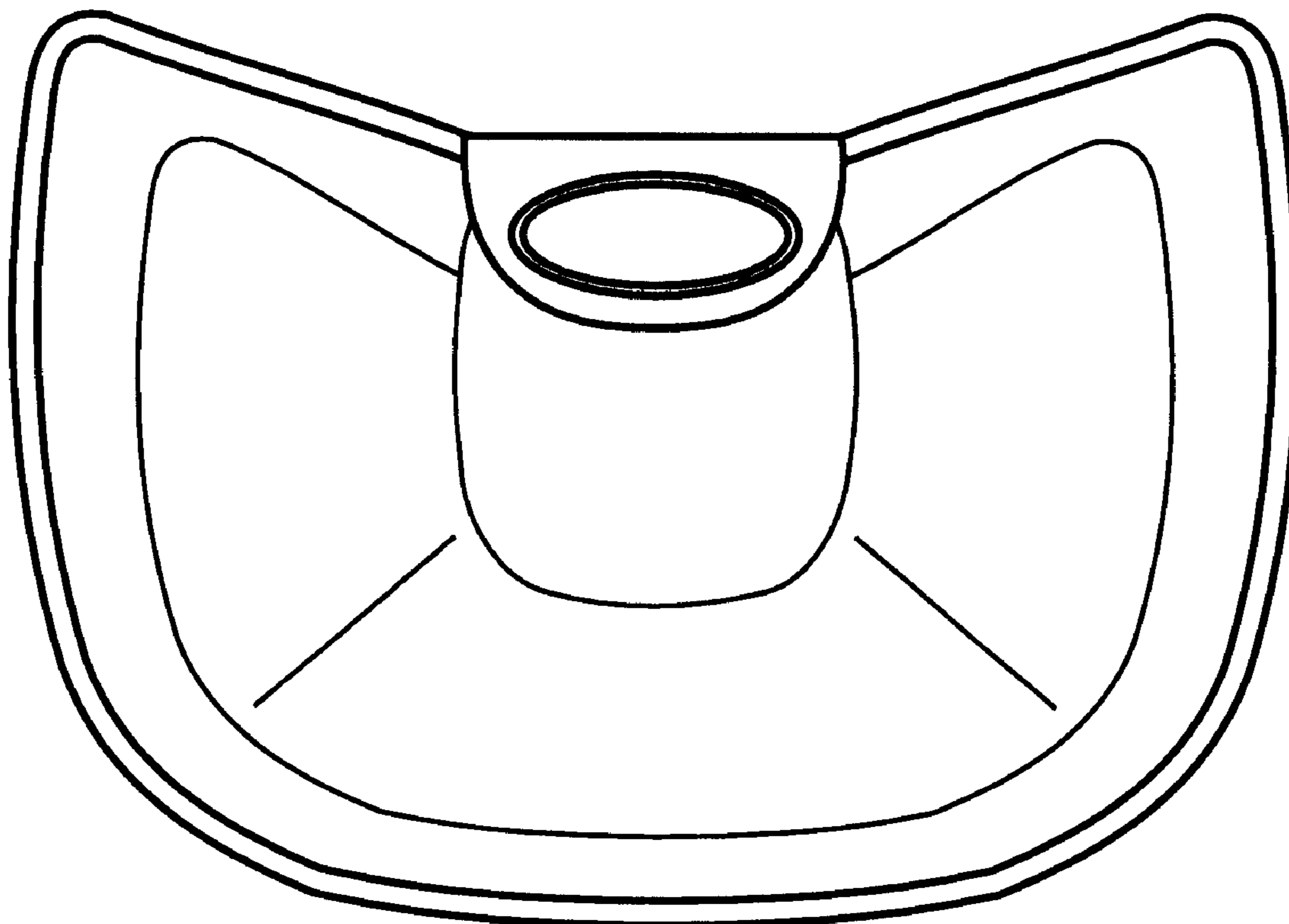
FIG. 4 is a front elevational view thereof;

FIG. 5 is a right side elevational view thereof;

FIG. 6 is a left side elevational view thereof; and,

FIG. 7 is a front perspective view thereof.

**1 Claim, 4 Drawing Sheets**



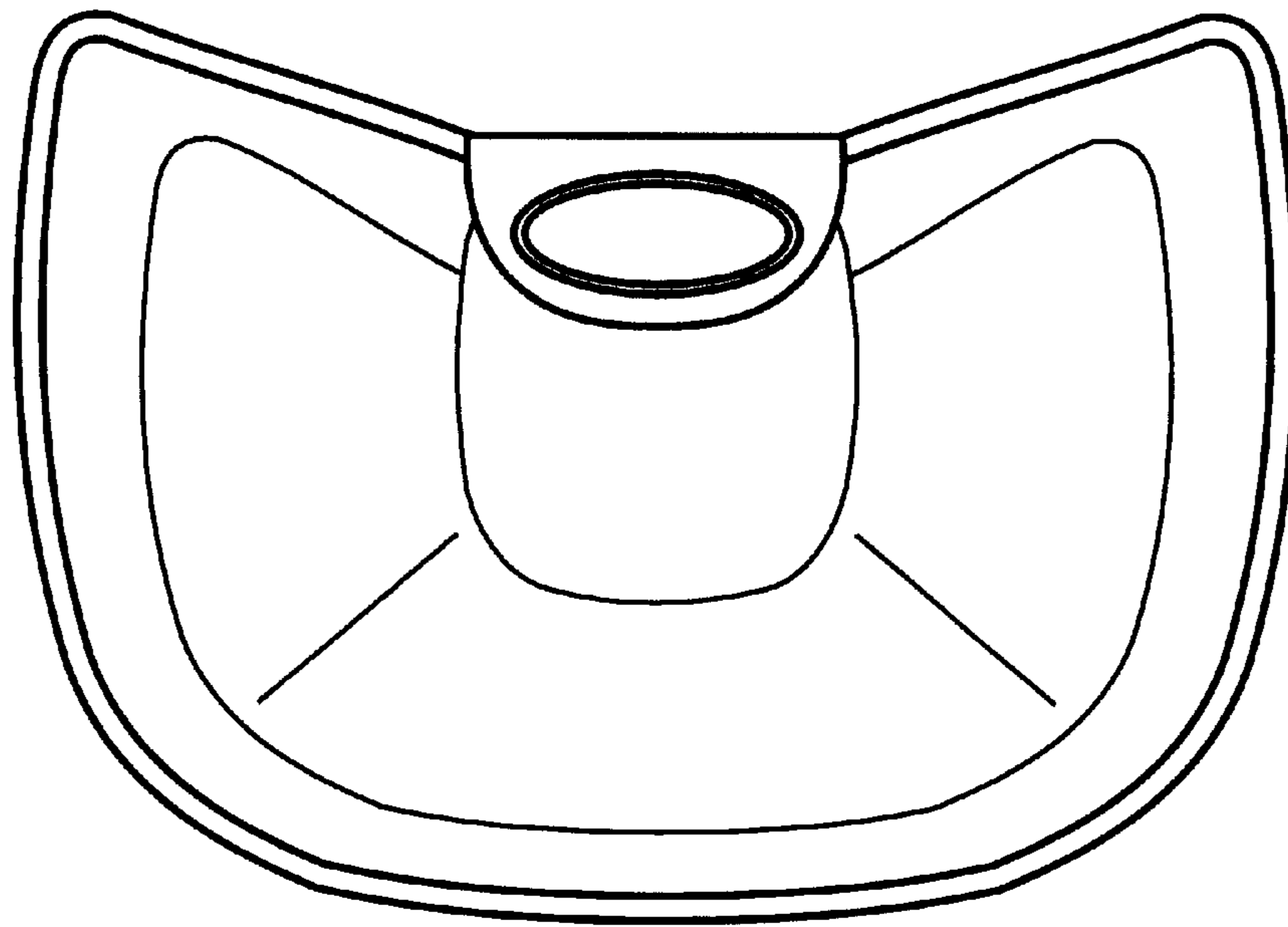


Fig. 1

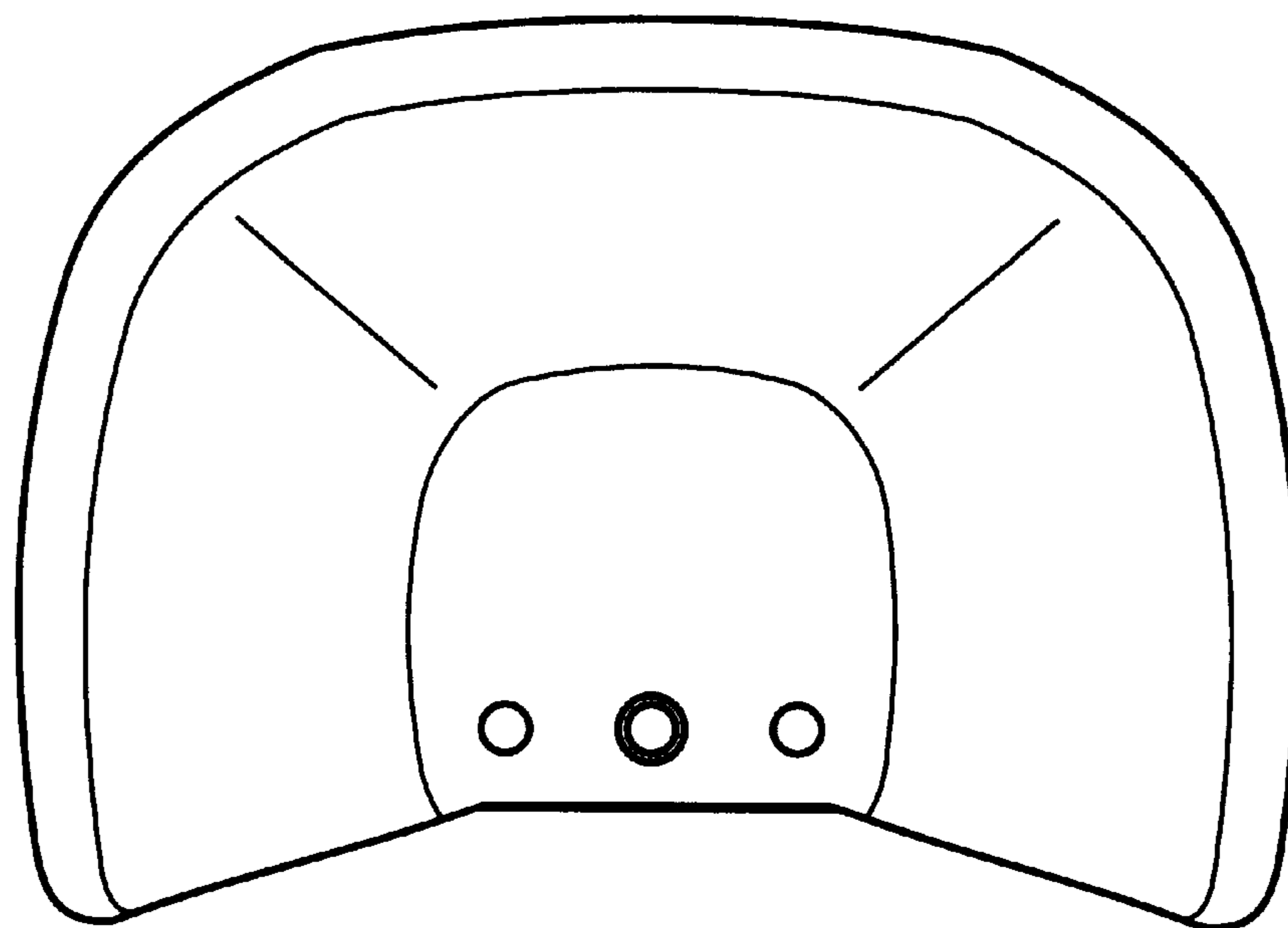


Fig. 2

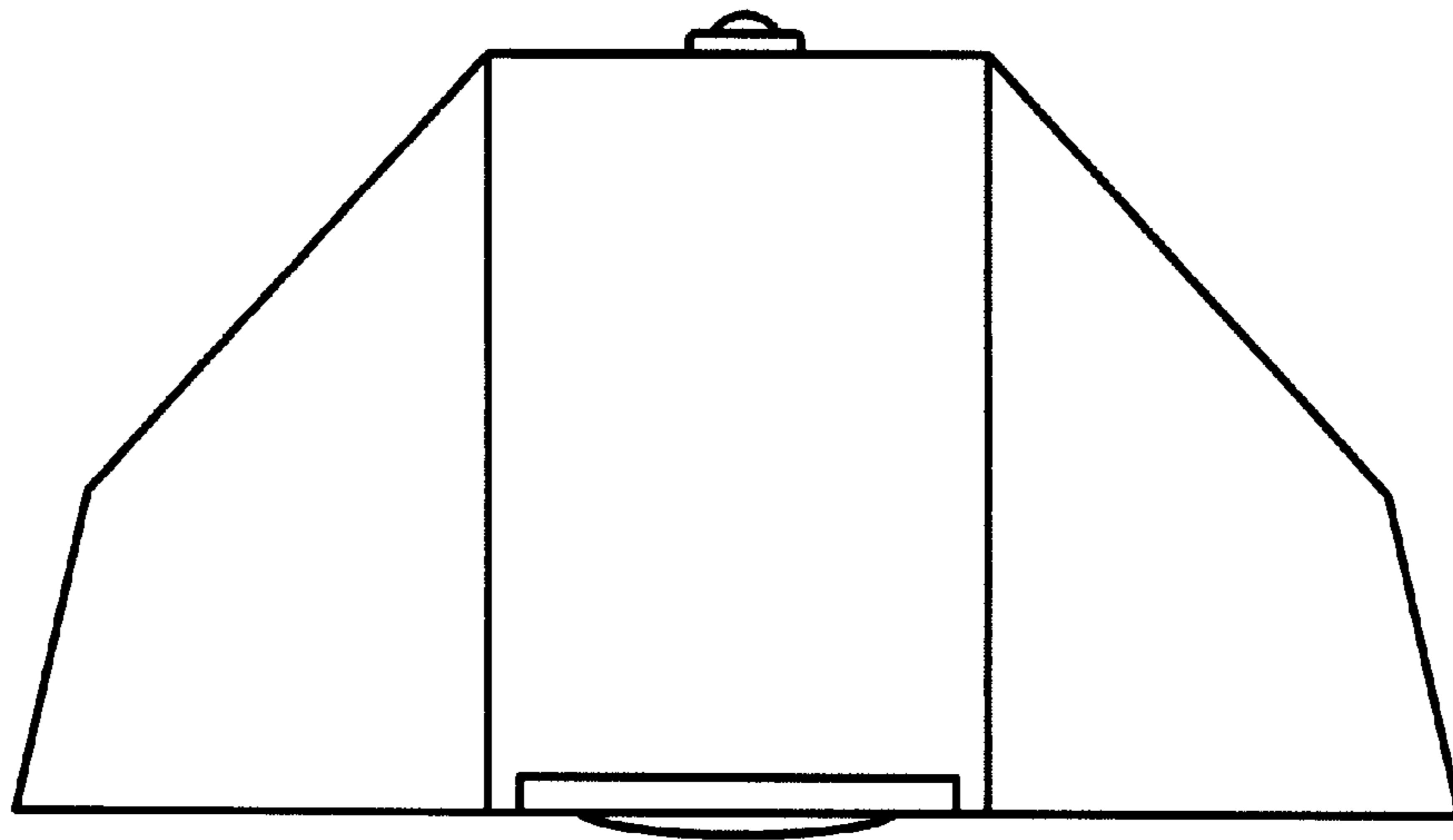


Fig. 3

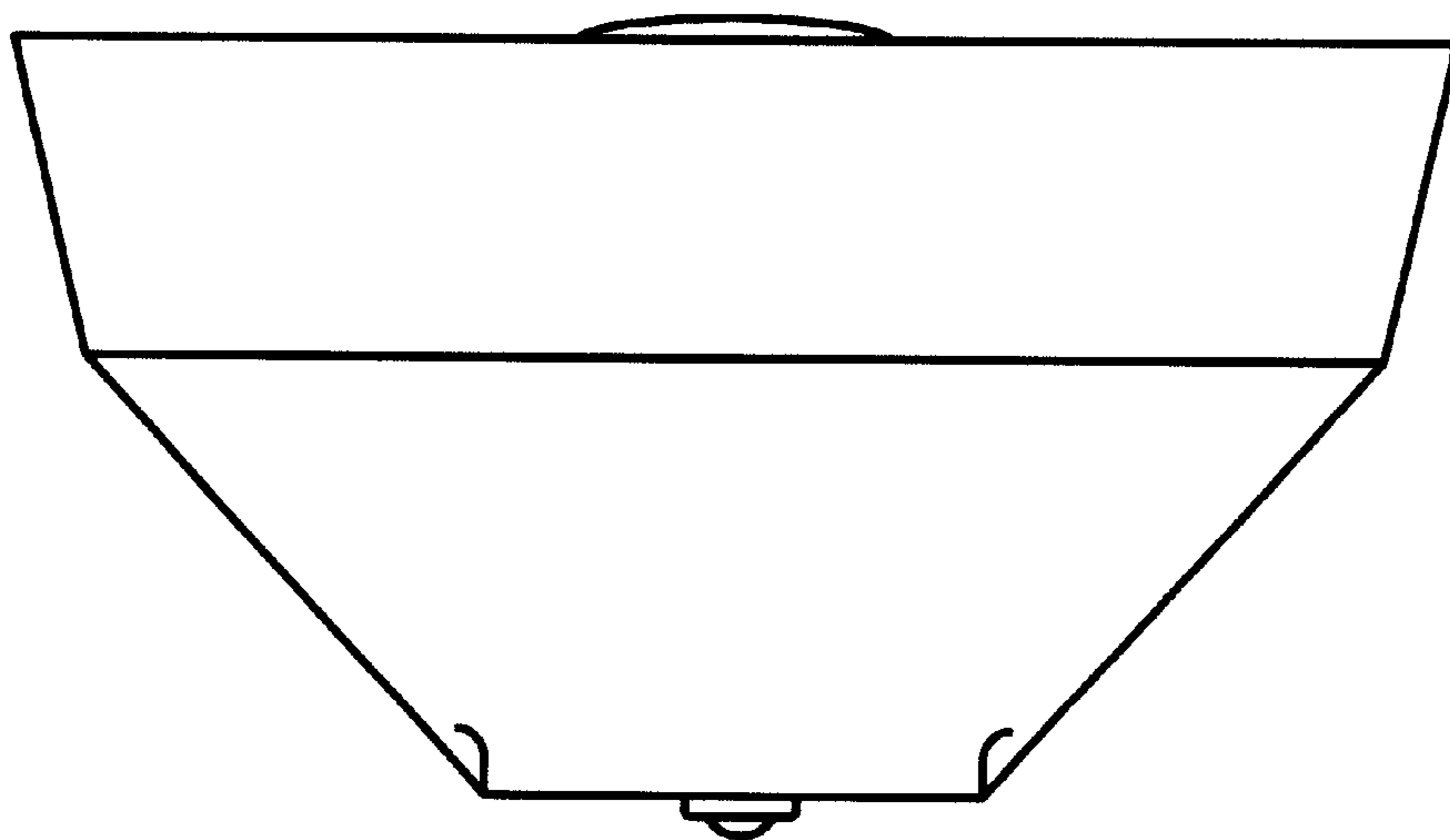


Fig. 4

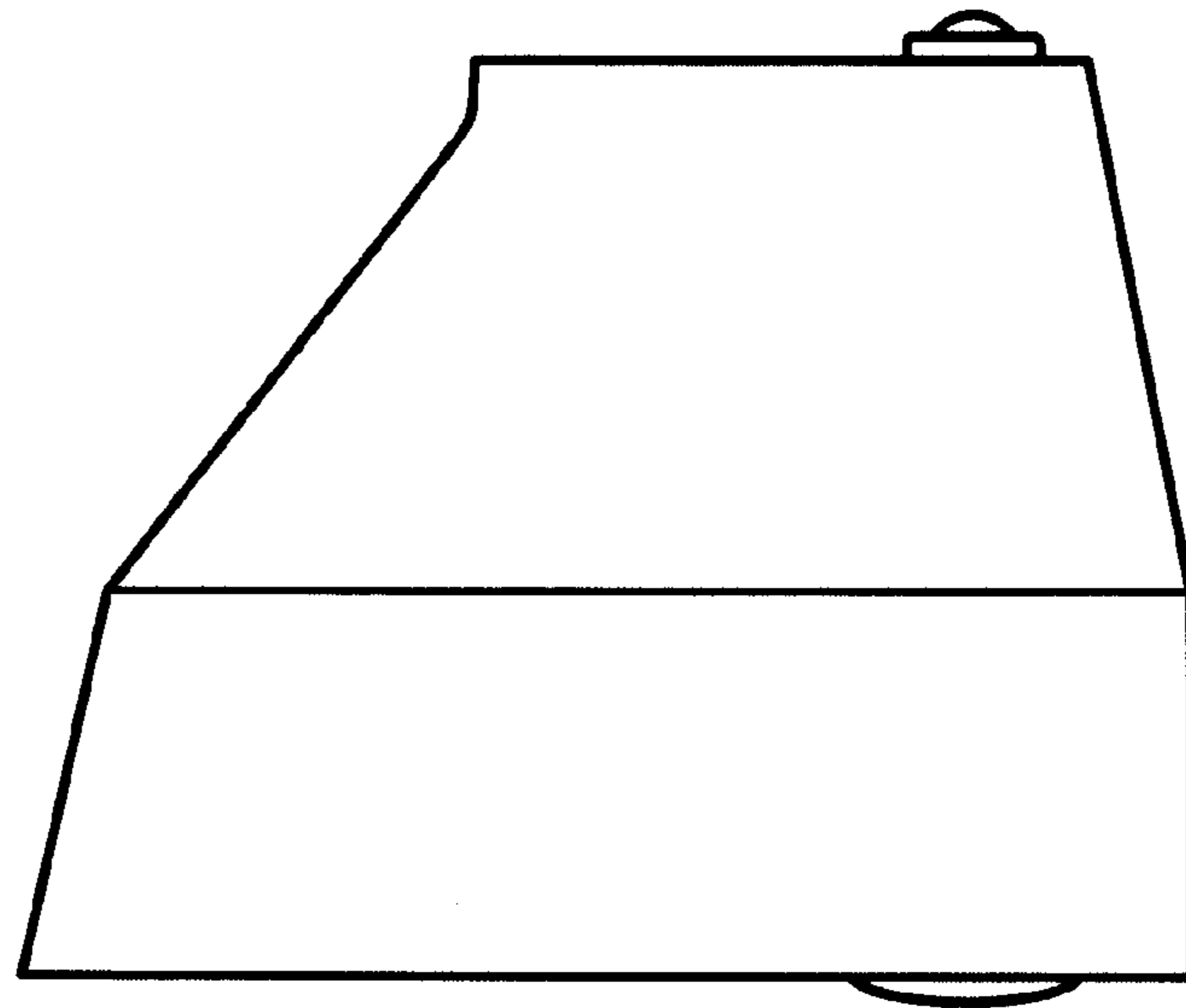


Fig. 5

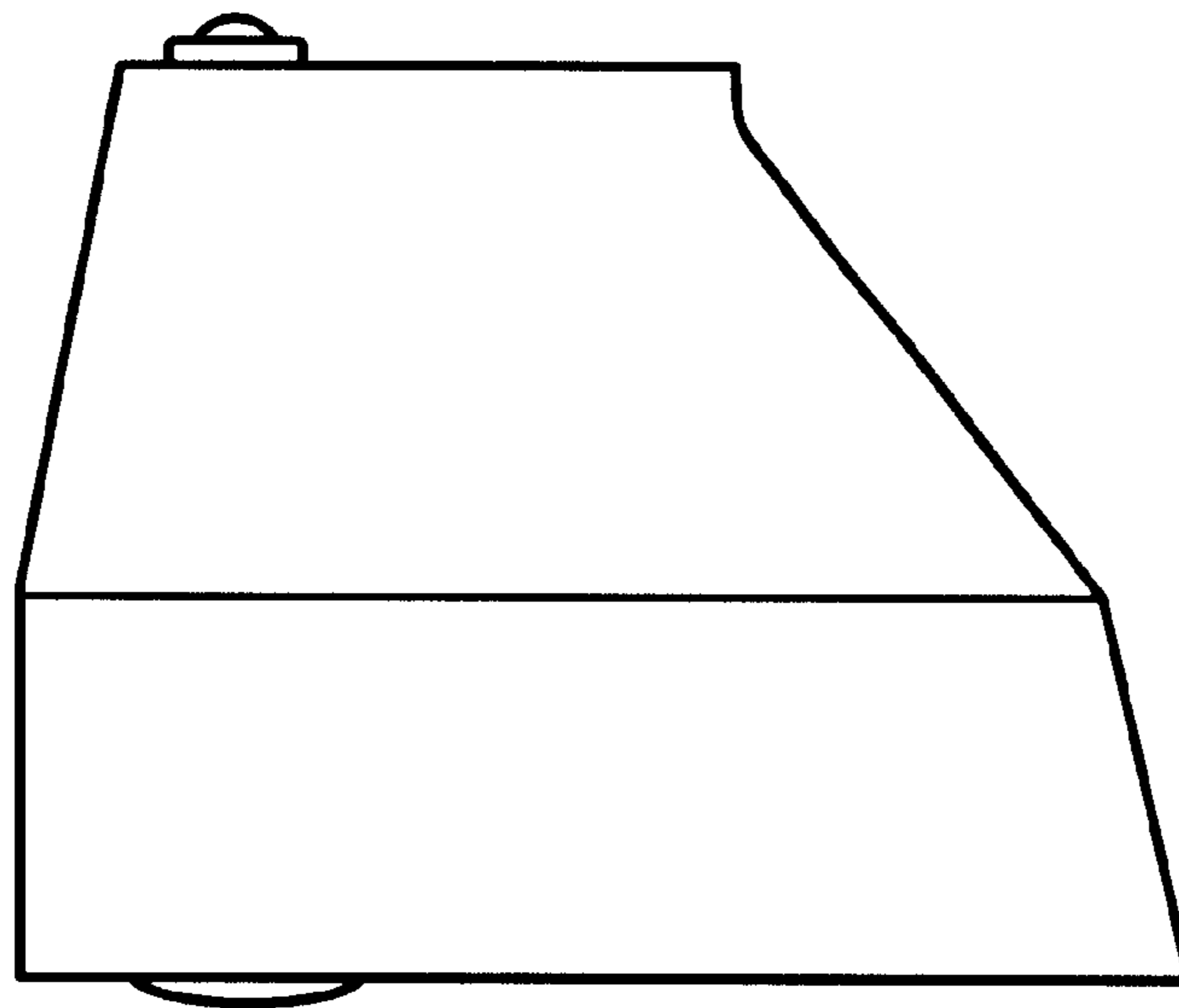


Fig. 6

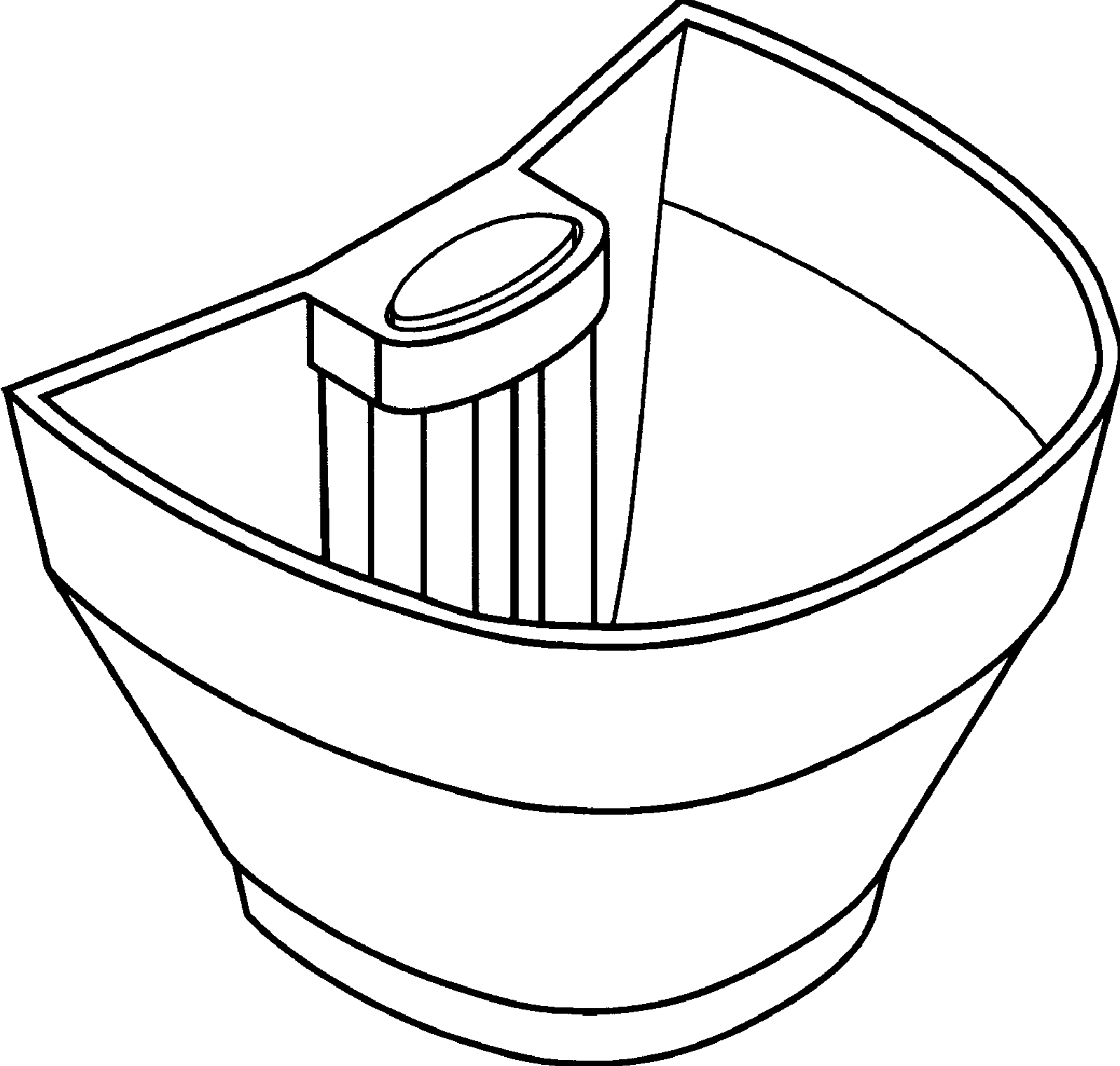


Fig. 7