



US00D538584S

(12) **United States Design Patent**
Scholze et al.

(10) **Patent No.:** **US D538,584 S**
(45) **Date of Patent:** **** Mar. 20, 2007**

(54) **SQUARE REVERSIBLE GRILL PAN/
GRIDDLE**

(75) Inventors: **Jeanne Mynatt Scholze**, South
Pittsburg, TN (US); **Lawrence Joseph
Raydo**, Jasper, TN (US)

(73) Assignee: **Lodge Manufacturing Company**,
South Pittsburg, TN (US)

(**) Term: **14 Years**

(21) Appl. No.: **29/246,041**

(22) Filed: **Jan. 5, 2006**

(51) **LOC (8) Cl.** **07-02**

(52) **U.S. Cl.** **D7/359**

(58) **Field of Classification Search** D7/323,
D7/354-361, 388, 409, 672; 99/324, 402,
99/422, 427, 421 A, 421 HH, 421 H, 421 R,
99/449, 450; 211/85.4; 220/573.1, 485, 491-494,
220/752, 759, 769, 912; 126/275 R; D6/462,
D6/475; D25/152-156

See application file for complete search history.

(56) **References Cited**

U.S. PATENT DOCUMENTS

- 3,941,968 A * 3/1976 MacMaster et al. 219/728
- D240,390 S * 7/1976 Smith D7/698
- D251,106 S * 2/1979 Petursson D7/409

- D268,981 S * 5/1983 Monson D7/359
- D286,497 S * 11/1986 Daenen et al. D7/388
- D362,154 S * 9/1995 Pusateri D7/359
- D377,451 S * 1/1997 Gumowitz et al. D9/432
- D393,980 S * 5/1998 Kellermann D7/409
- D424,863 S * 5/2000 Varakian D7/354
- D427,009 S * 6/2000 Iyengar et al. D7/360
- D463,202 S * 9/2002 Smith D7/359
- D470,712 S * 2/2003 Swinford et al. D7/360
- D503,066 S * 3/2005 Militi D7/359

* cited by examiner

Primary Examiner—Cathron C. Brooks

Assistant Examiner—Ricky Pham

(74) *Attorney, Agent, or Firm*—Kilpatrick Stockton, LLP

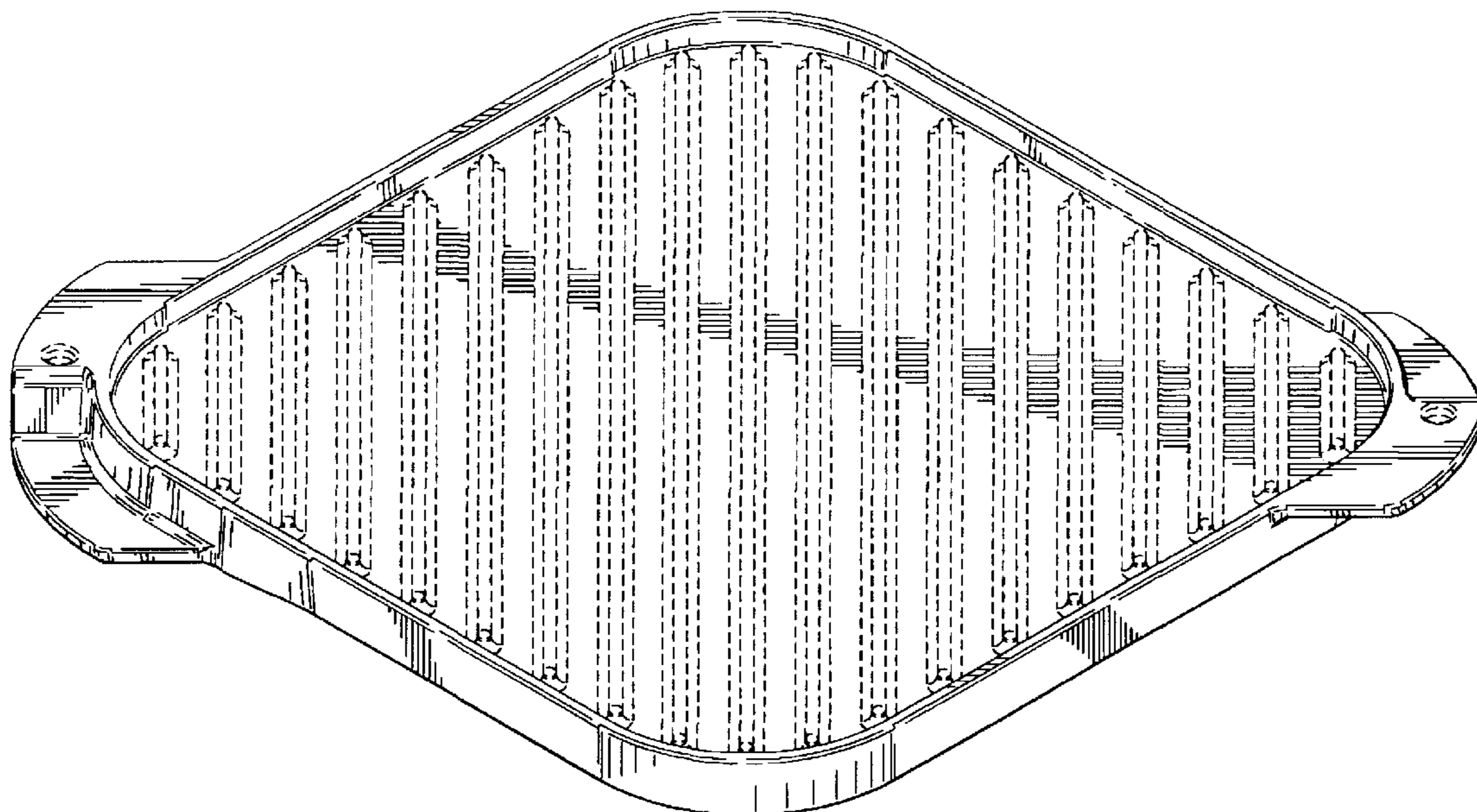
(57) **CLAIM**

The ornamental design for a square reversible grill pan/
griddle, as shown and described.

DESCRIPTION

FIG. 1 shows a perspective view of a square reversible grill
pan/griddle according to the present invention;
FIG. 2 shows a top view of the grill side of FIG. 1;
FIG. 3 shows a bottom view of the griddle side of FIG. 1;
FIG. 4 shows a front elevation view of FIG. 1, the rear
elevation view being a mirror image thereof; and,
FIG. 5 shows a left side elevation view of FIG. 1, the right
side elevation view being a mirror image thereof.

1 Claim, 4 Drawing Sheets



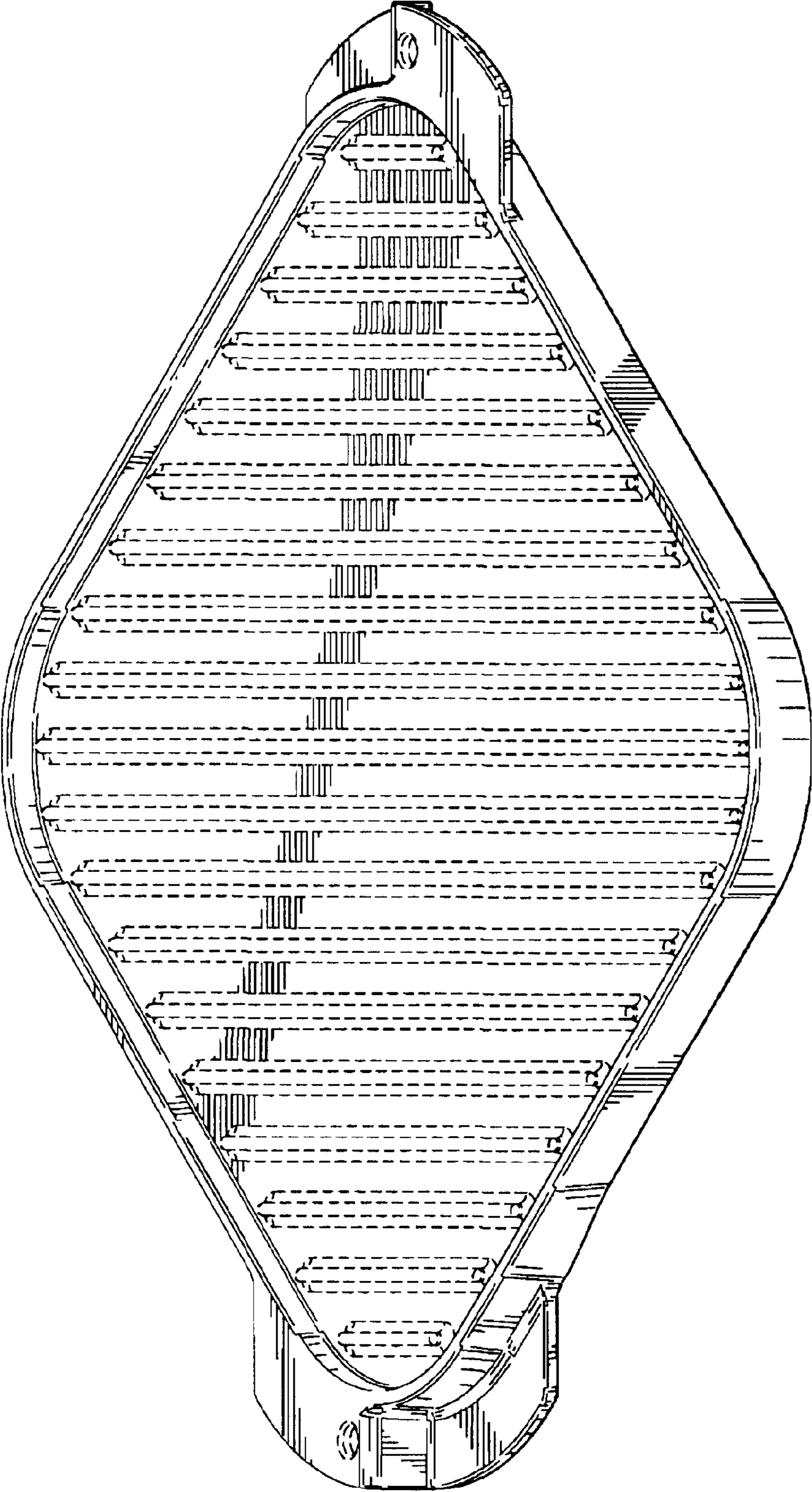


FIG. 1

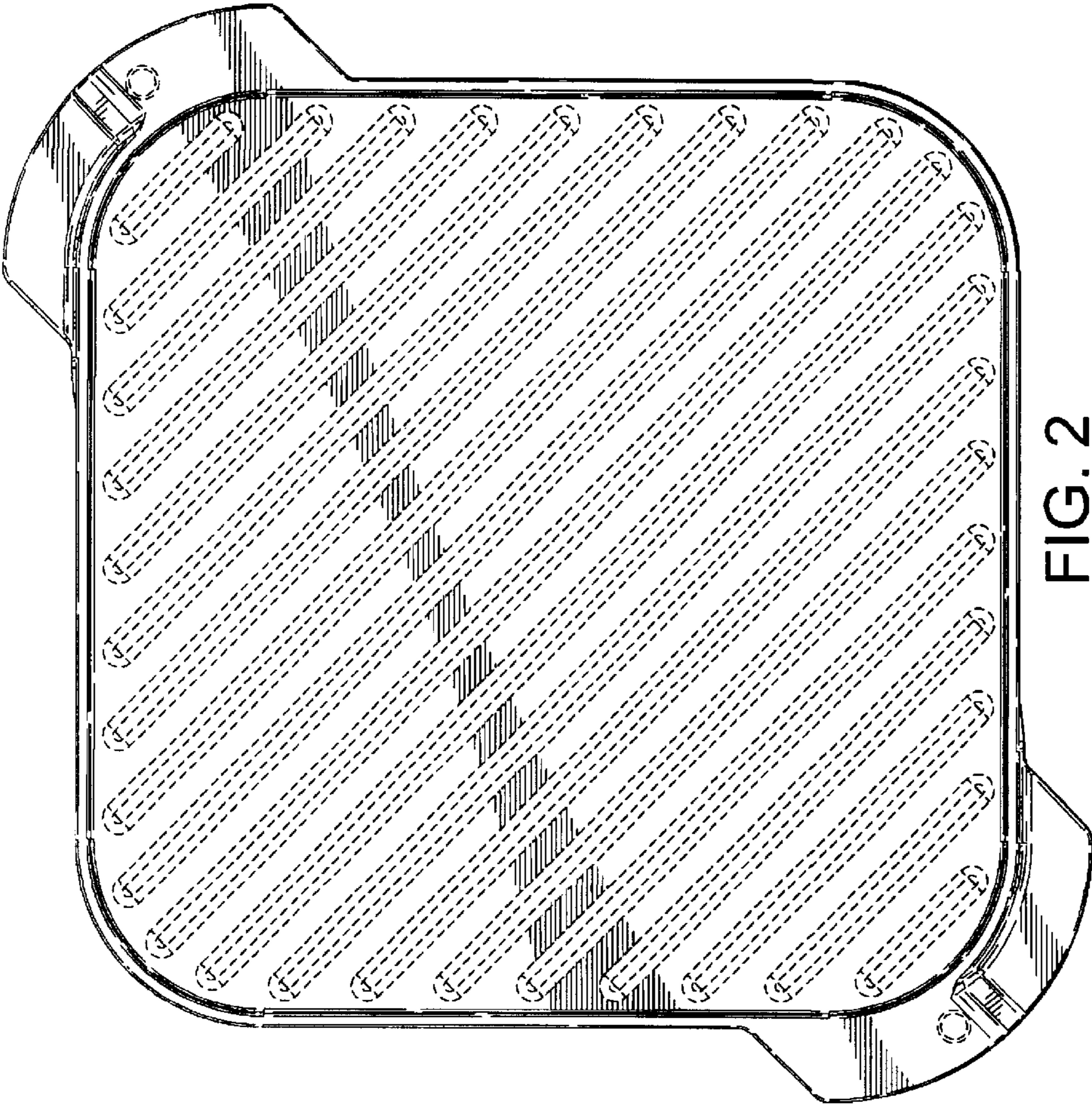


FIG. 2

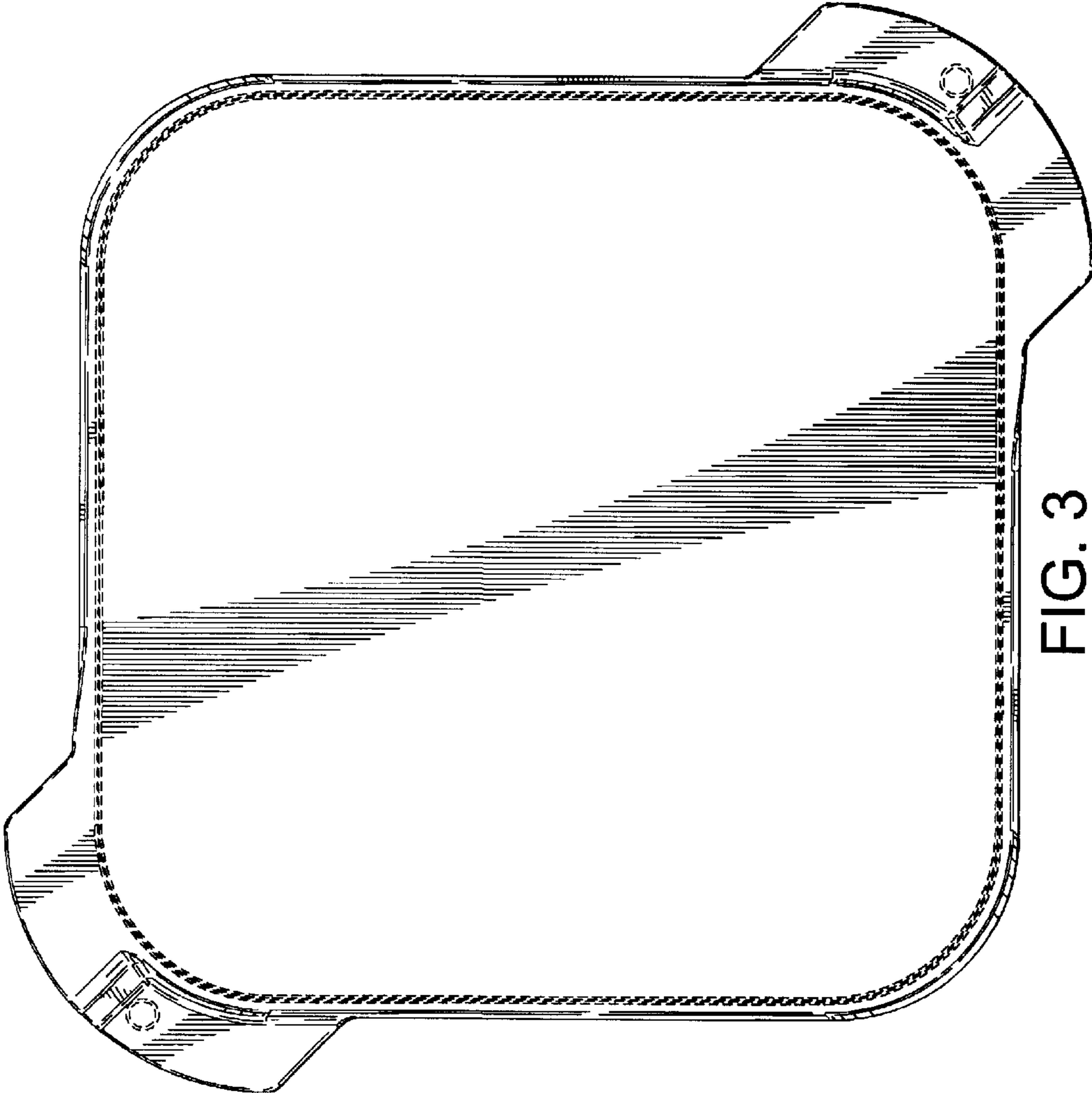


FIG. 3

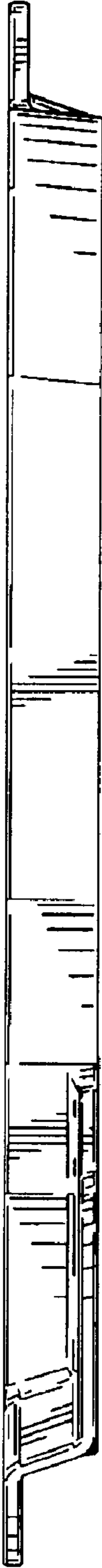


FIG. 4



FIG. 5