



US00D538582S

(12) **United States Design Patent**  
**Kim et al.**

(10) **Patent No.:** **US D538,582 S**

(45) **Date of Patent:** **\*\* Mar. 20, 2007**

(54) **OVEN**

D495,919 S \* 9/2004 De Mello ..... D7/340  
D526,527 S \* 8/2006 Jung et al. .... D7/348

(75) Inventors: **Tae Kyung Kim**, Seoul (KR); **Chan Young Lee**, Seoul (KR)

\* cited by examiner

(73) Assignee: **Samsung Electronics Co., Ltd.** (KR)

*Primary Examiner*—Catherine R. Oliver  
(74) *Attorney, Agent, or Firm*—Irving Keschner

(\*\*) Term: **14 Years**

(57) **CLAIM**

(21) Appl. No.: **29/255,740**

The ornamental design for oven, as shown.

(22) Filed: **Mar. 9, 2006**

**DESCRIPTION**

(51) **LOC (8) Cl.** ..... **07-02**

FIG. 1 is a perspective view of the ornamental design of the present invention;

(52) **U.S. Cl.** ..... **D7/340**

FIG. 2 is a front elevational view of the ornamental design of the present invention;

(58) **Field of Classification Search** ..... D7/340,  
D7/339–341, 402–407, 346–348; 126/19 R,  
126/39 B, 39 C, 39 R, 273 R, 50  
See application file for complete search history.

FIG. 3 is a rear elevational view of the ornamental design of the present invention;

FIG. 4 is a left side elevational view of the ornamental design of the present invention;

FIG. 5 is a right side elevational view of the ornamental design of the present invention;

FIG. 6 is a top plan view of the ornamental design of the present invention; and,

FIG. 7 is a bottom view of the ornamental design of the present invention.

(56) **References Cited**

**U.S. PATENT DOCUMENTS**

D185,392 S \* 6/1959 Smith ..... D7/340  
D375,867 S \* 11/1996 Sparks ..... D7/340  
D391,800 S \* 3/1998 Holbrook, Jr. .... D7/340

**1 Claim, 6 Drawing Sheets**

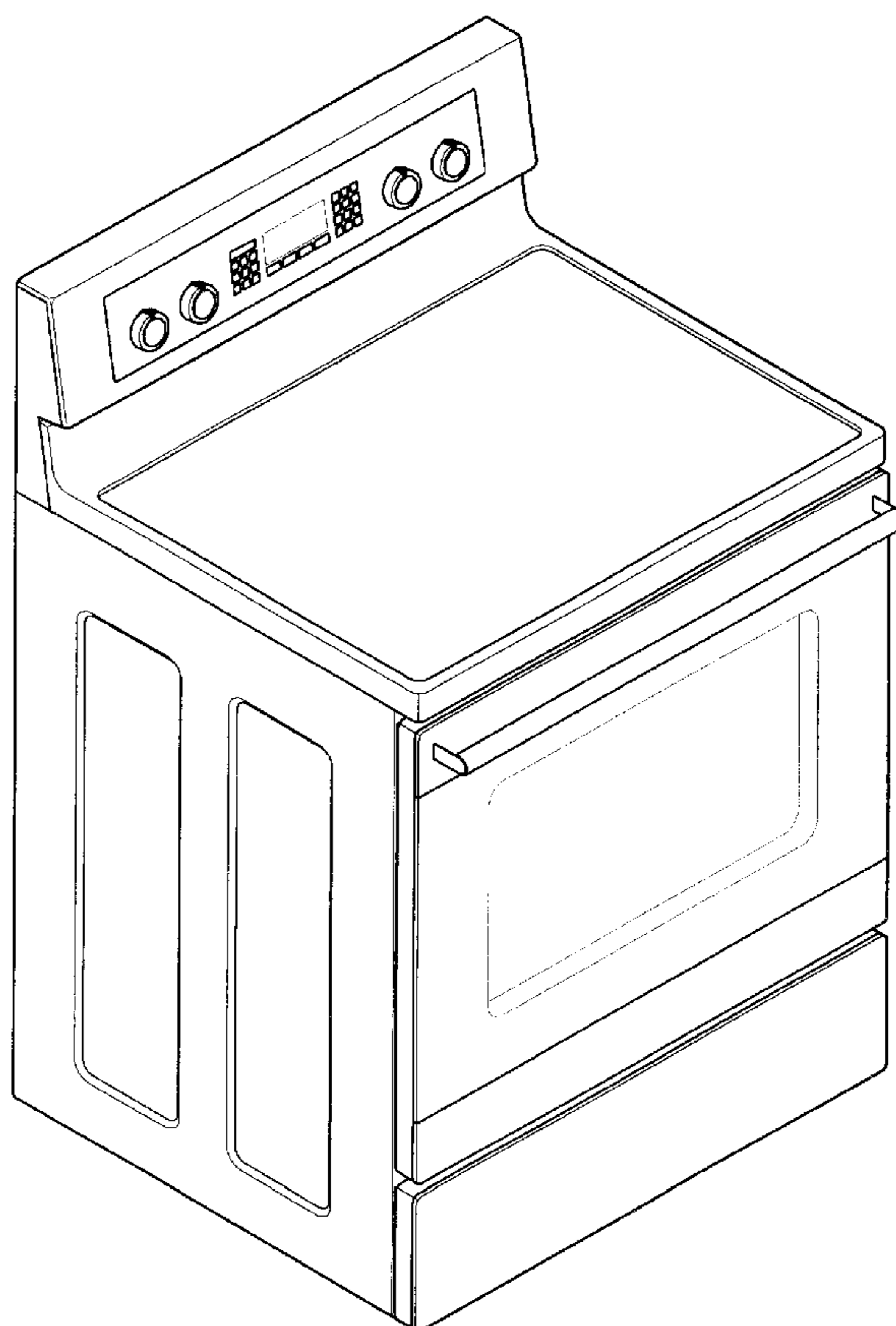


Fig. 1

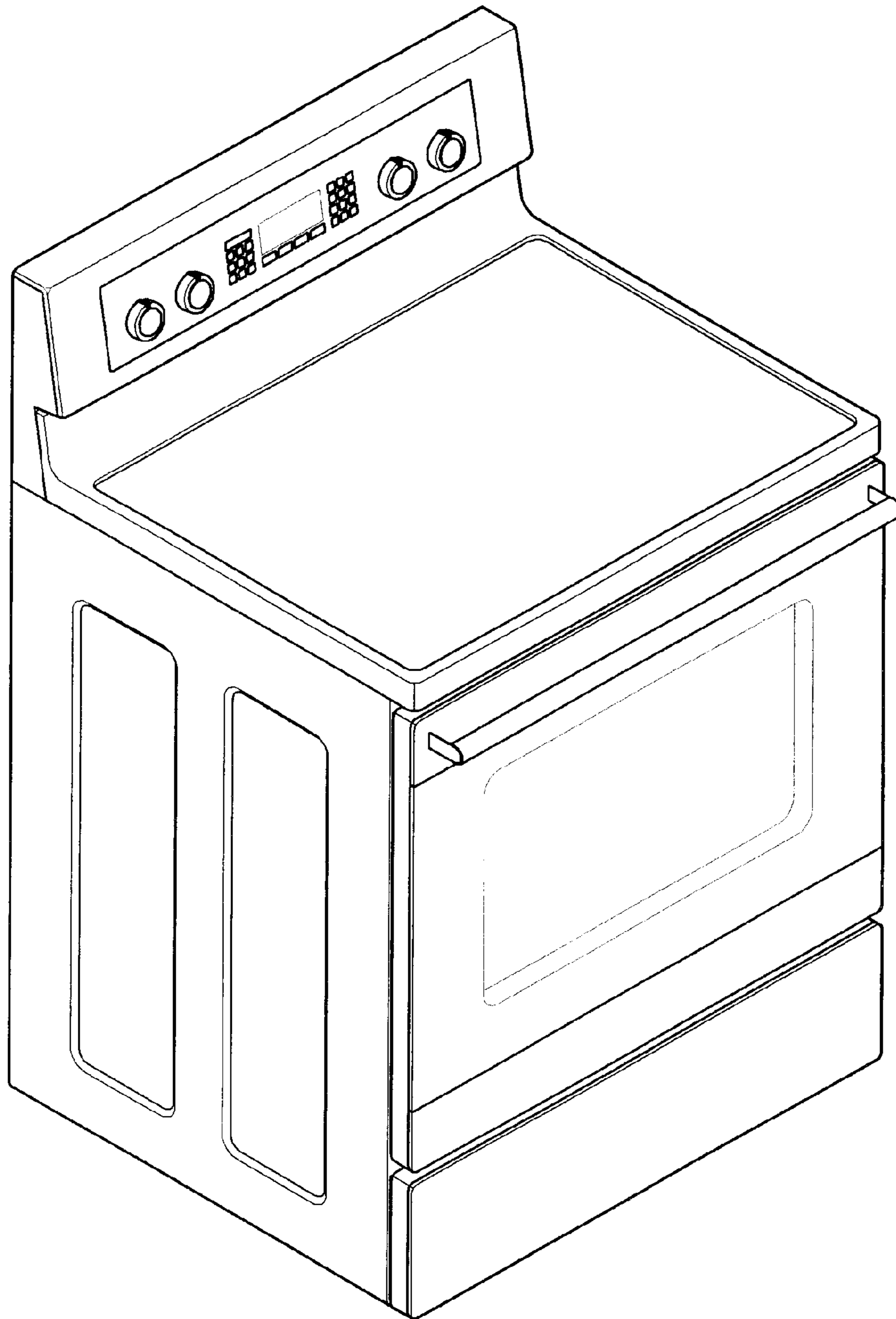


Fig. 2

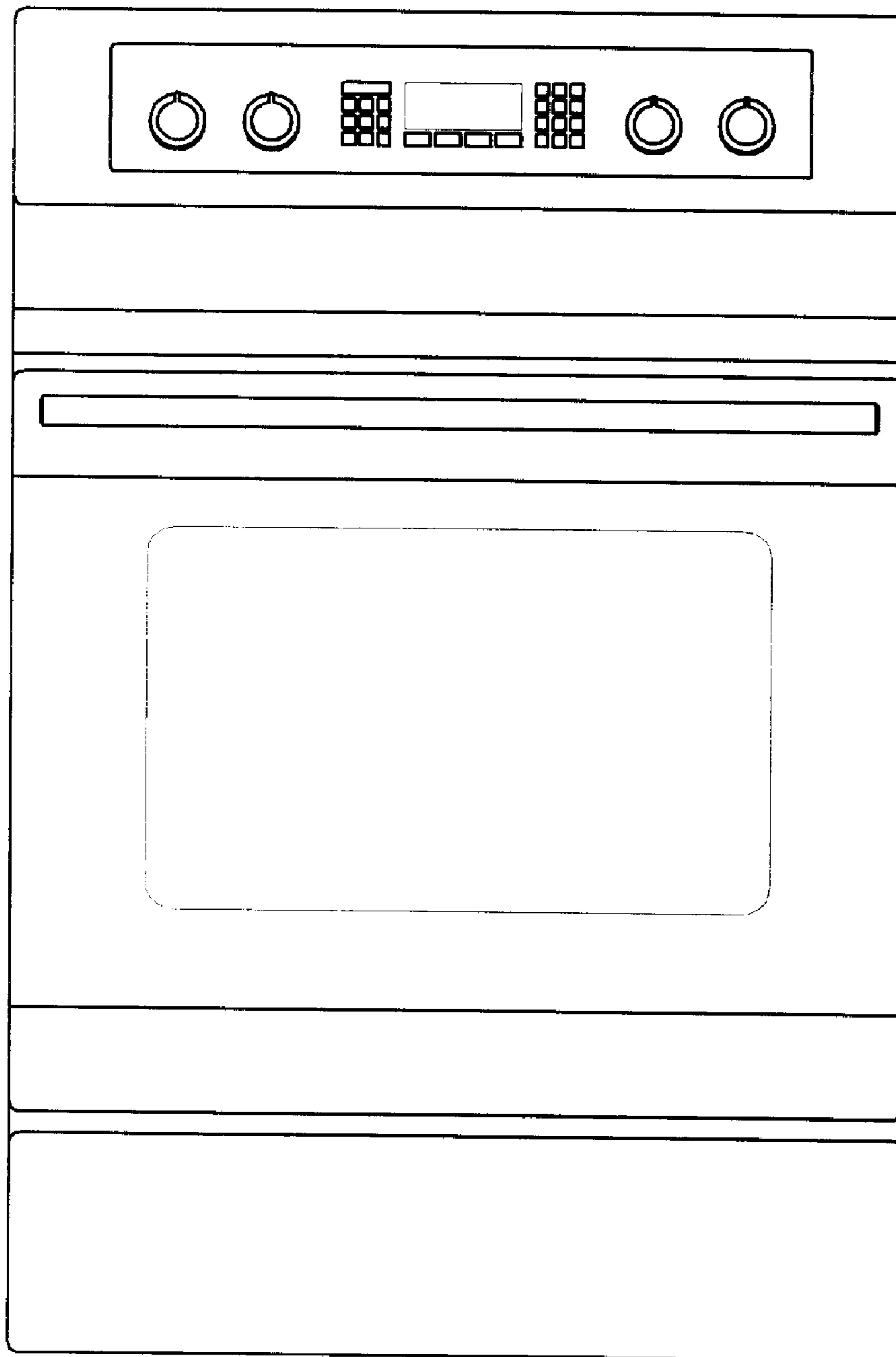


Fig. 3

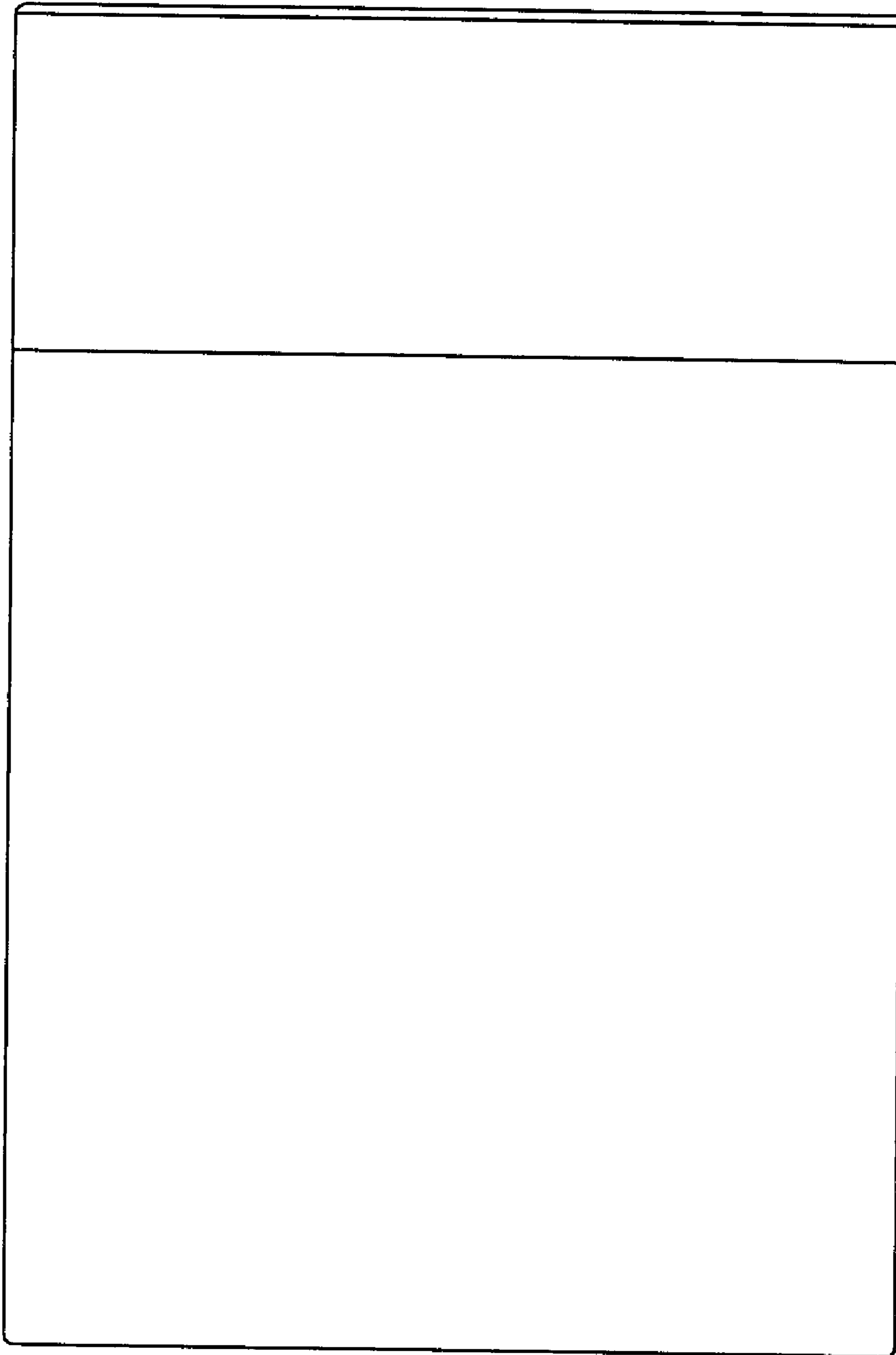


Fig. 4

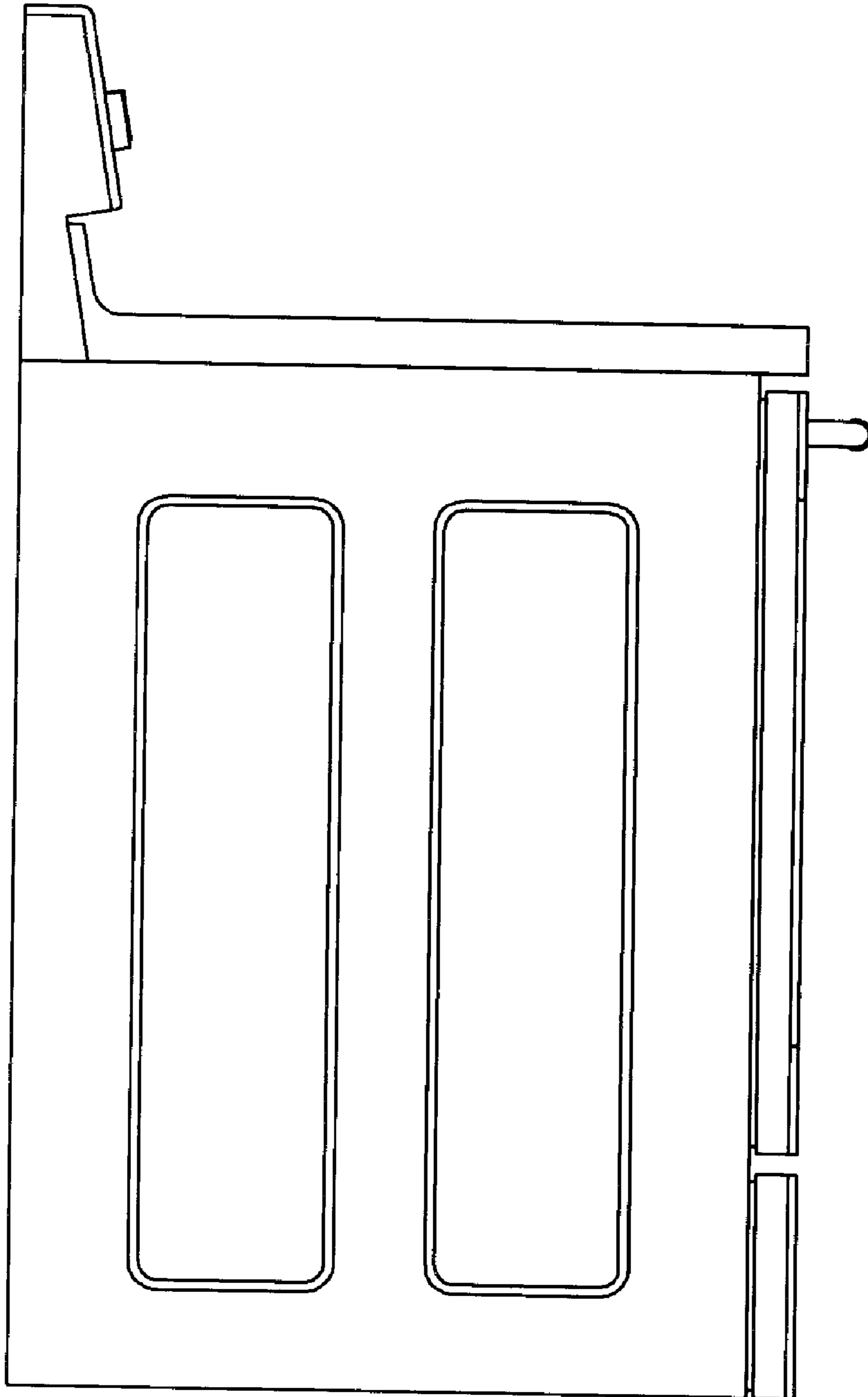


Fig. 5

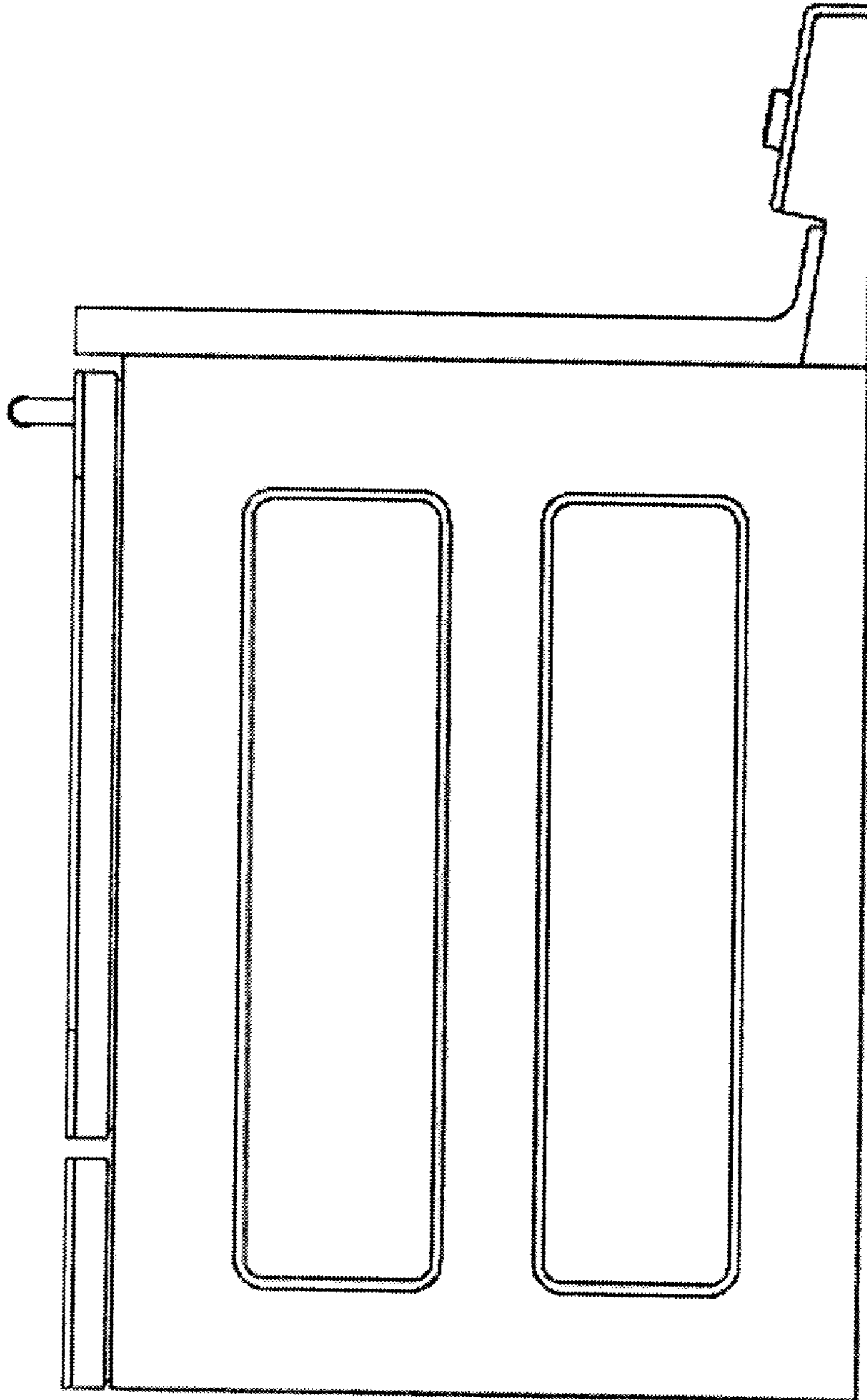


Fig. 6

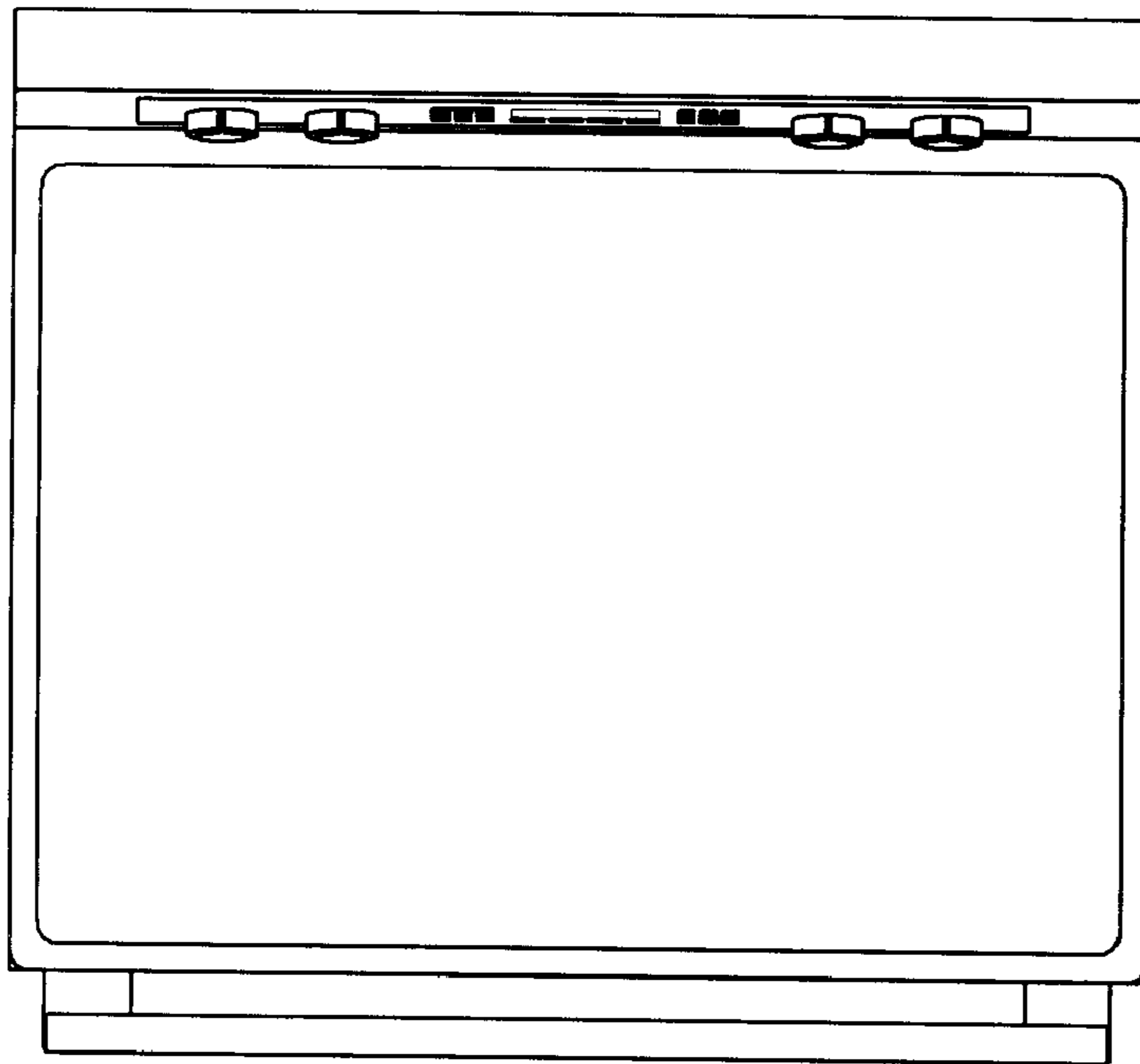


Fig. 7

