



US00D538581S

(12) **United States Design Patent**
Lee et al.

(10) **Patent No.:** **US D538,581 S**
(45) **Date of Patent:** **** Mar. 20, 2007**

(54) **OVEN**

D526,527 S * 8/2006 Jung et al. D7/348

(75) Inventors: **Jae Hyun Lee**, Seoul (KR); **Hyung Jun Kim**, Uijungbu-si (KR); **Zin Woo Park**, Seoul (KR); **Jee Su Hong**, Seoul (KR); **Young Seok Lee**, Seoul (KR)

* cited by examiner

Primary Examiner—Catherine R. Oliver
(74) *Attorney, Agent, or Firm*—Irving Keschner

(73) Assignee: **Samsung Electronics Co., Ltd.** (KR)

(57) **CLAIM**

The ornamental design for oven, as shown.

(**) Term: **14 Years**

DESCRIPTION

(21) Appl. No.: **29/255,731**

FIG. 1 is a perspective view of the ornamental design of the present invention;

(22) Filed: **Mar. 9, 2006**

FIG. 2 is a front elevational view of the ornamental design of the present invention;

(51) **LOC (8) Cl.** **07-02**

FIG. 3 is a rear elevational view of the ornamental design of the present invention;

(52) **U.S. Cl.** **D7/340**

(58) **Field of Classification Search** D7/340,
D7/339–341, 402–407, 346–348; 126/19 R,
126/39 B, 39 C, 39 R, 273 R, 50

FIG. 4 is a left side elevational view of the ornamental design of the present invention;

See application file for complete search history.

FIG. 5 is a right side elevational view of the ornamental design of the present invention;

FIG. 6 is a top plan view of the ornamental design of the present invention; and,

FIG. 7 is a bottom view of the ornamental design of the present invention.

(56) **References Cited**

U.S. PATENT DOCUMENTS

D185,392 S * 6/1959 Smith D7/340
D375,867 S * 11/1996 Sparks D7/340

1 Claim, 5 Drawing Sheets

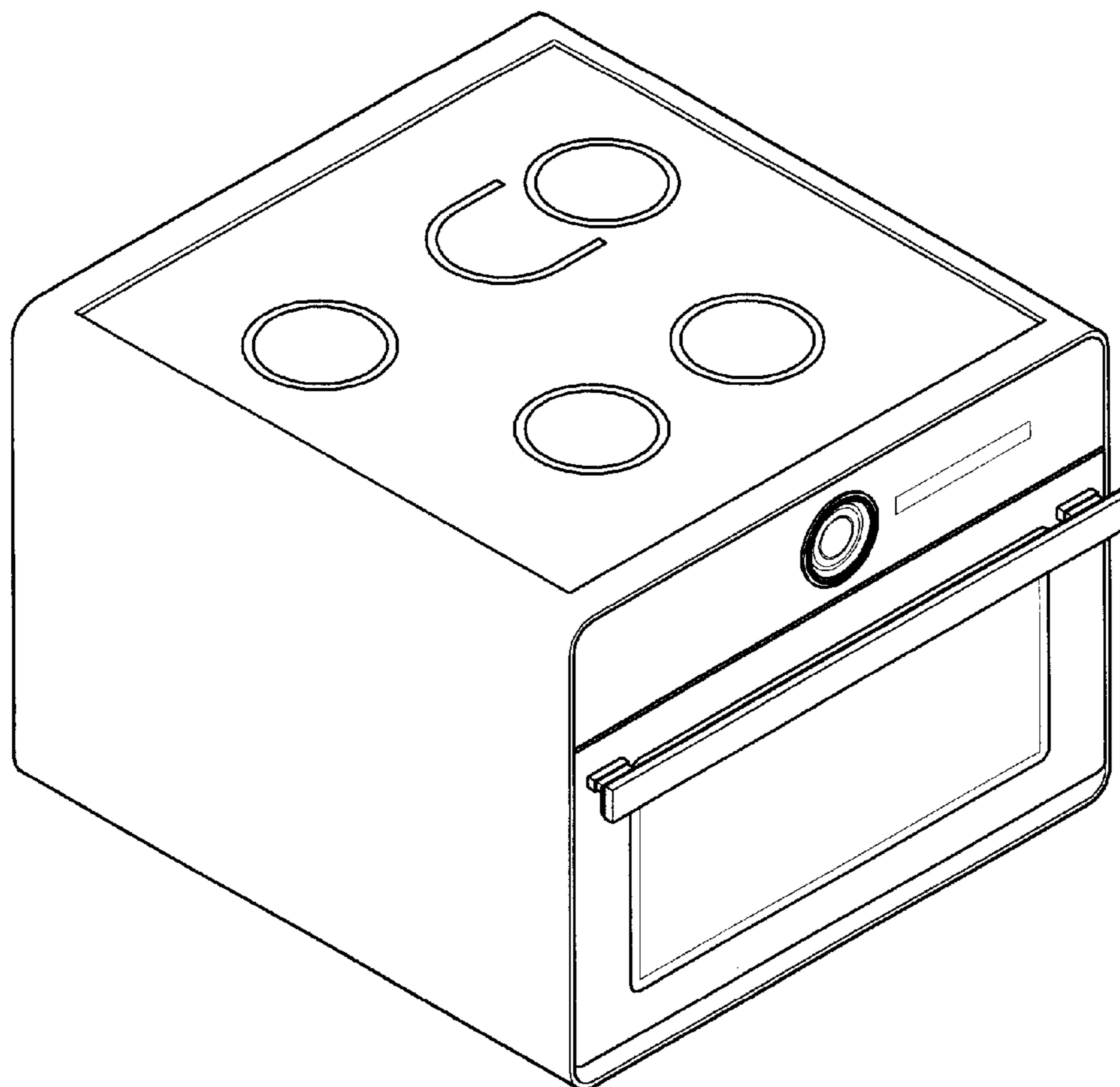


Fig. 1

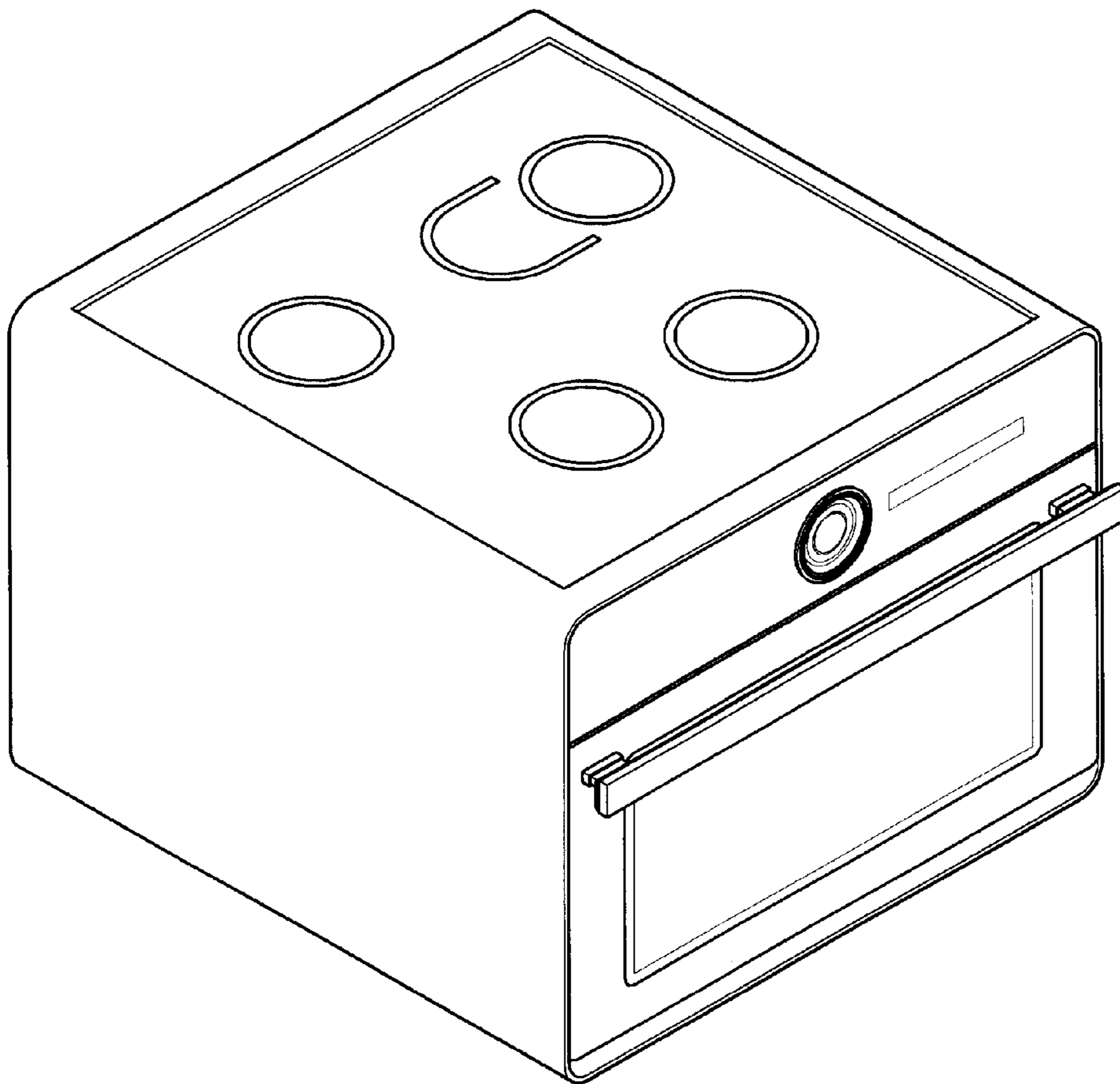


Fig. 2

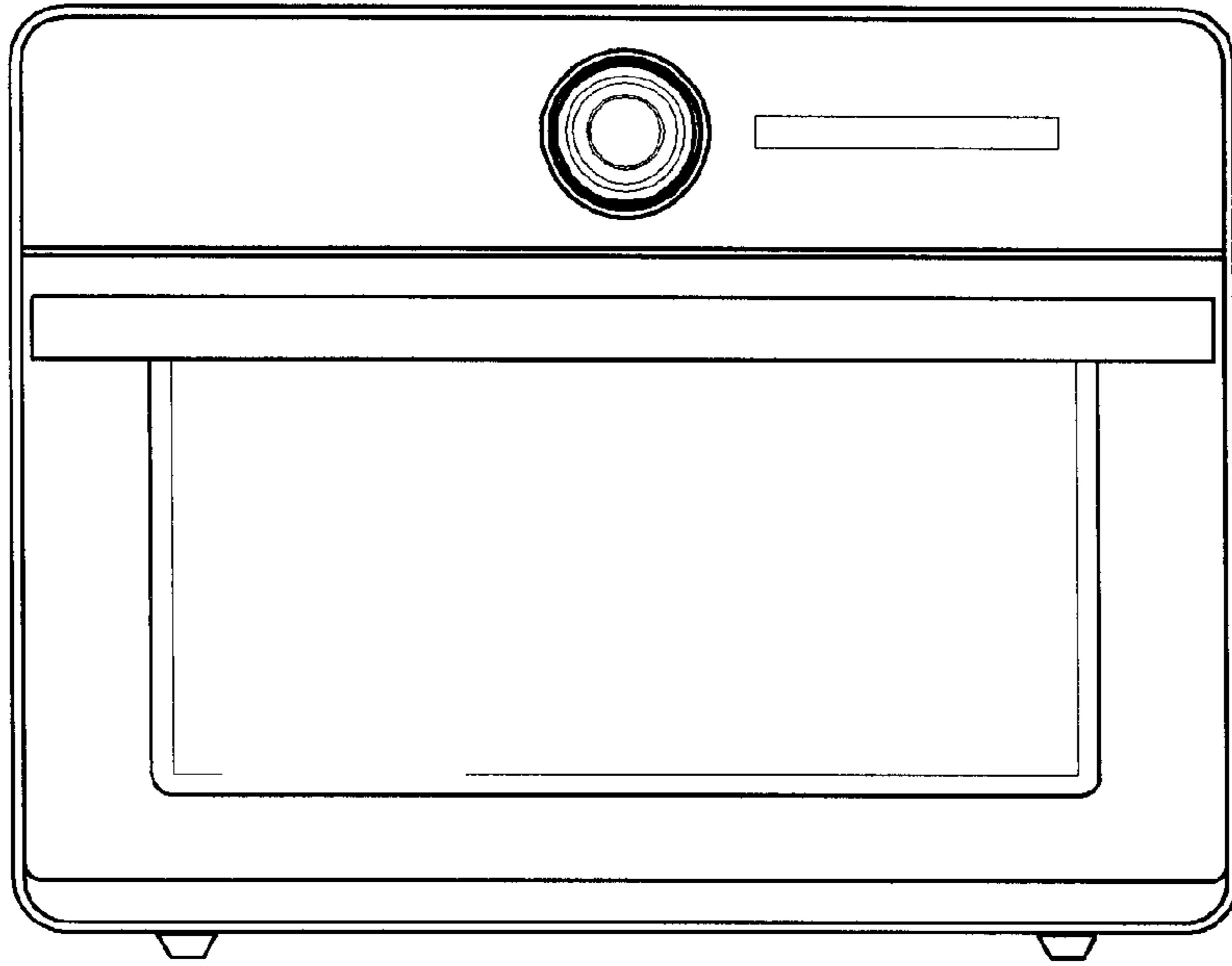


Fig. 3

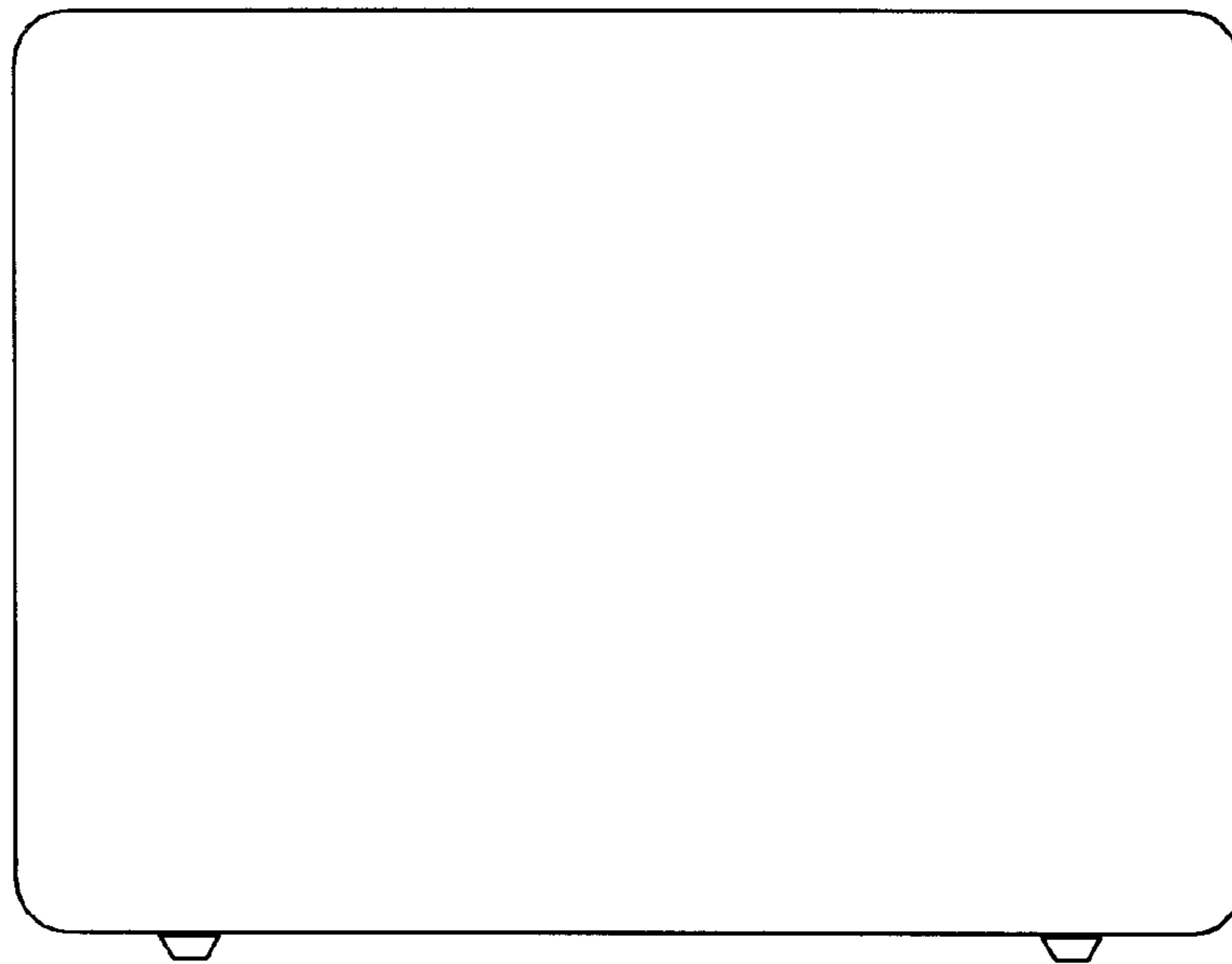


Fig. 4

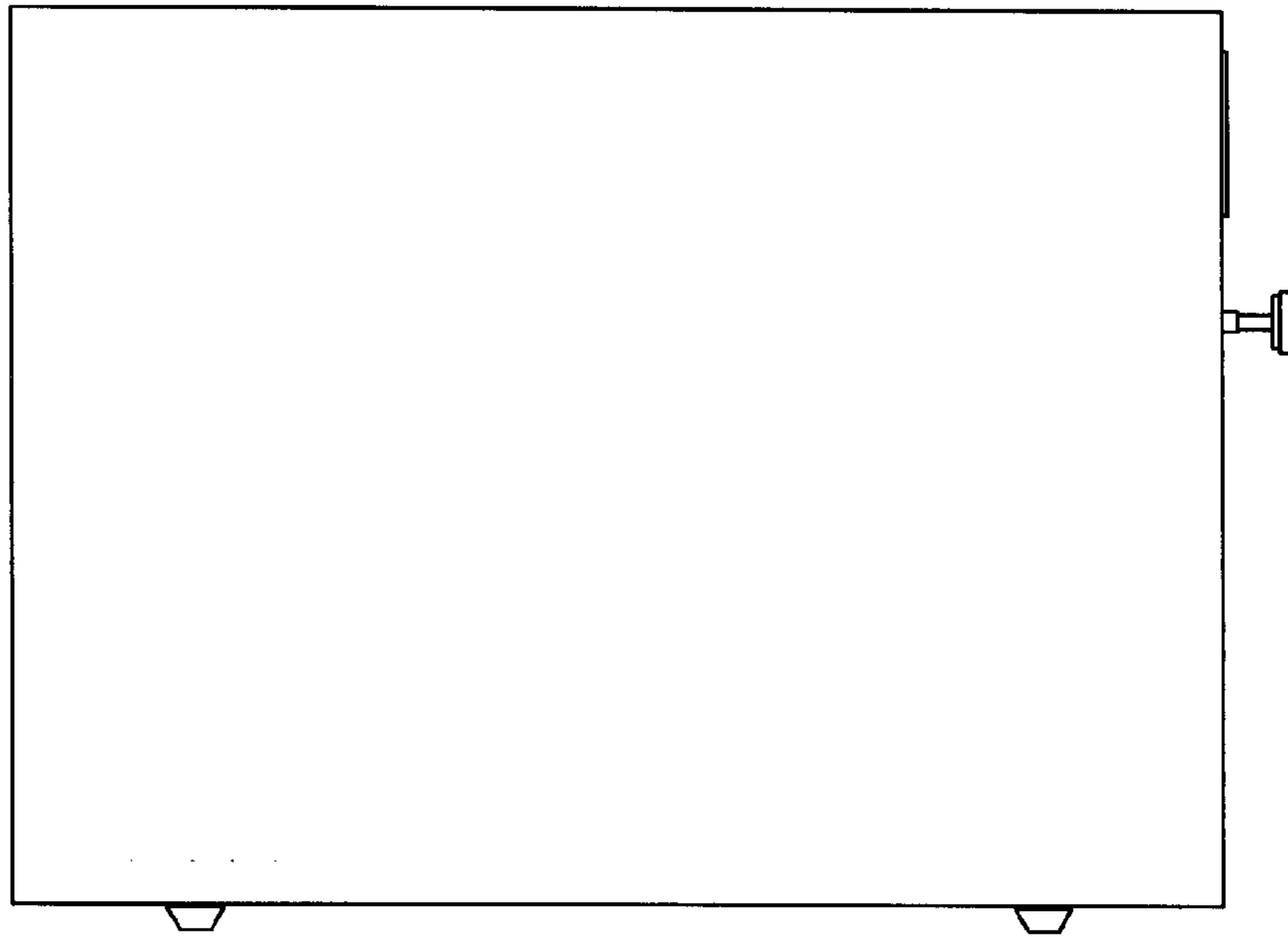


Fig. 5

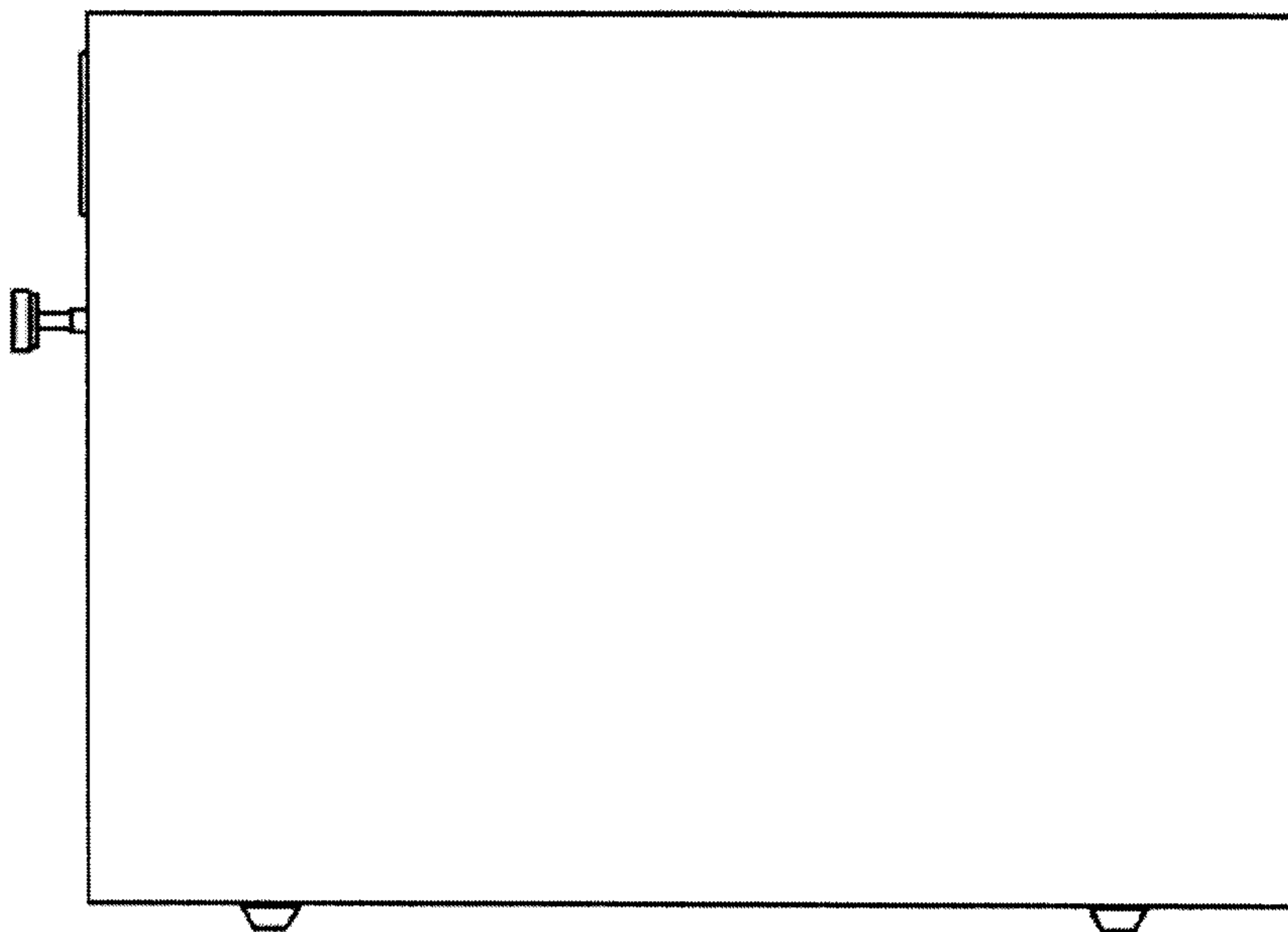


Fig. 6

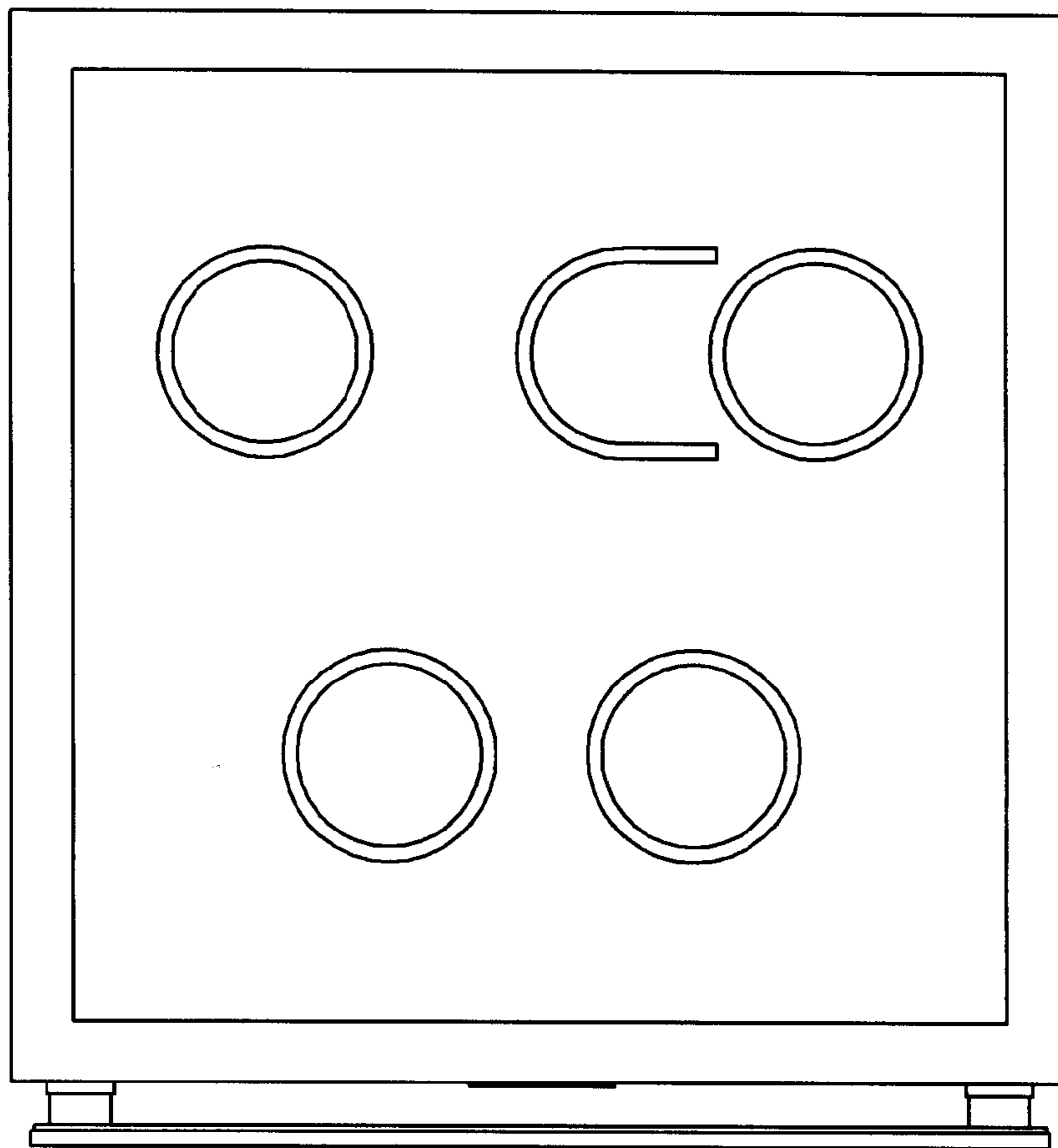


Fig. 7

